



US00D738908S

(12) **United States Design Patent**
Herold et al.

(10) **Patent No.:** **US D738,908 S**

(45) **Date of Patent:** **** Sep. 15, 2015**

(54) **DISPLAY SCREEN WITH ANIMATED GRAPHICAL USER INTERFACE**

(71) Applicant: **Microsoft Corporation**, Redmond, WA (US)

(72) Inventors: **Jeffrey Alan Herold**, Kirkland, WA (US); **Nicholas R. Barling**, Redmond, WA (US); **Charla Pereira**, Seattle, WA (US); **Arianne Taylor**, Woodinville, WA (US)

(73) Assignee: **Microsoft Corporation**, Redmond, WA (US)

(**) Term: **14 Years**

(21) Appl. No.: **29/478,869**

(22) Filed: **Jan. 9, 2014**

(51) **LOC (10) Cl.** **14-04**

(52) **U.S. Cl.**
USPC **D14/488**

(58) **Field of Classification Search**
USPC D14/485–495
CPC G06F 9/446; G06F 9/4443; G06F 3/0481;
G09B 21/003; G09B 21/007
See application file for complete search history.

(56) **References Cited**

U.S. PATENT DOCUMENTS

D648,735	S	*	11/2011	Arnold et al.	D14/486
D662,942	S	*	7/2012	Trabona et al.	D14/488
D664,561	S	*	7/2012	Gleasant et al.	D14/488
D664,972	S	*	8/2012	Gleasant et al.	D14/486
D664,973	S	*	8/2012	Gleasant et al.	D14/486
D668,262	S	*	10/2012	Gleasant et al.	D14/488
D688,691	S	*	8/2013	Gleasant et al.	D14/488
D692,456	S	*	10/2013	Brinda et al.	D14/488
D695,755	S	*	12/2013	Hwang et al.	D14/485
2004/0070626	A1	*	4/2004	Matsumoto	345/788
2007/0226655	A1	*	9/2007	Shimizu	715/846

2008/0307360	A1	*	12/2008	Chaudhri et al.	715/835
2009/0293007	A1	*	11/2009	Duarte et al.	715/767
2010/0095240	A1	*	4/2010	Shiplacoff et al.	715/784
2011/0025711	A1	*	2/2011	Doi	345/635
2012/0040719	A1	*	2/2012	Lee et al.	455/557
2012/0200586	A1	*	8/2012	Lima et al.	345/582
2012/0284658	A1	*	11/2012	Hirvonen	715/779
2013/0097556	A1	*	4/2013	Louch	715/790
2013/0117130	A1	*	5/2013	Dyor et al.	705/14.71

(Continued)

OTHER PUBLICATIONS

William Baxter and Naga Govindaraju, Simple Data-Driven Modeling of Brushes, published Feb. 2010, by Association for Computing Machinery, Inc., USA [online]. [retrieved Jul. 16, 2013]. Retrieved from Internet, URL: <<http://research.microsoft.com/apps/pubs/default.aspx?id=120512>>.

(Continued)

Primary Examiner — Ian Simmons

Assistant Examiner — Shannon Morgan

(74) *Attorney, Agent, or Firm* — Banner & Witcoff, Ltd.

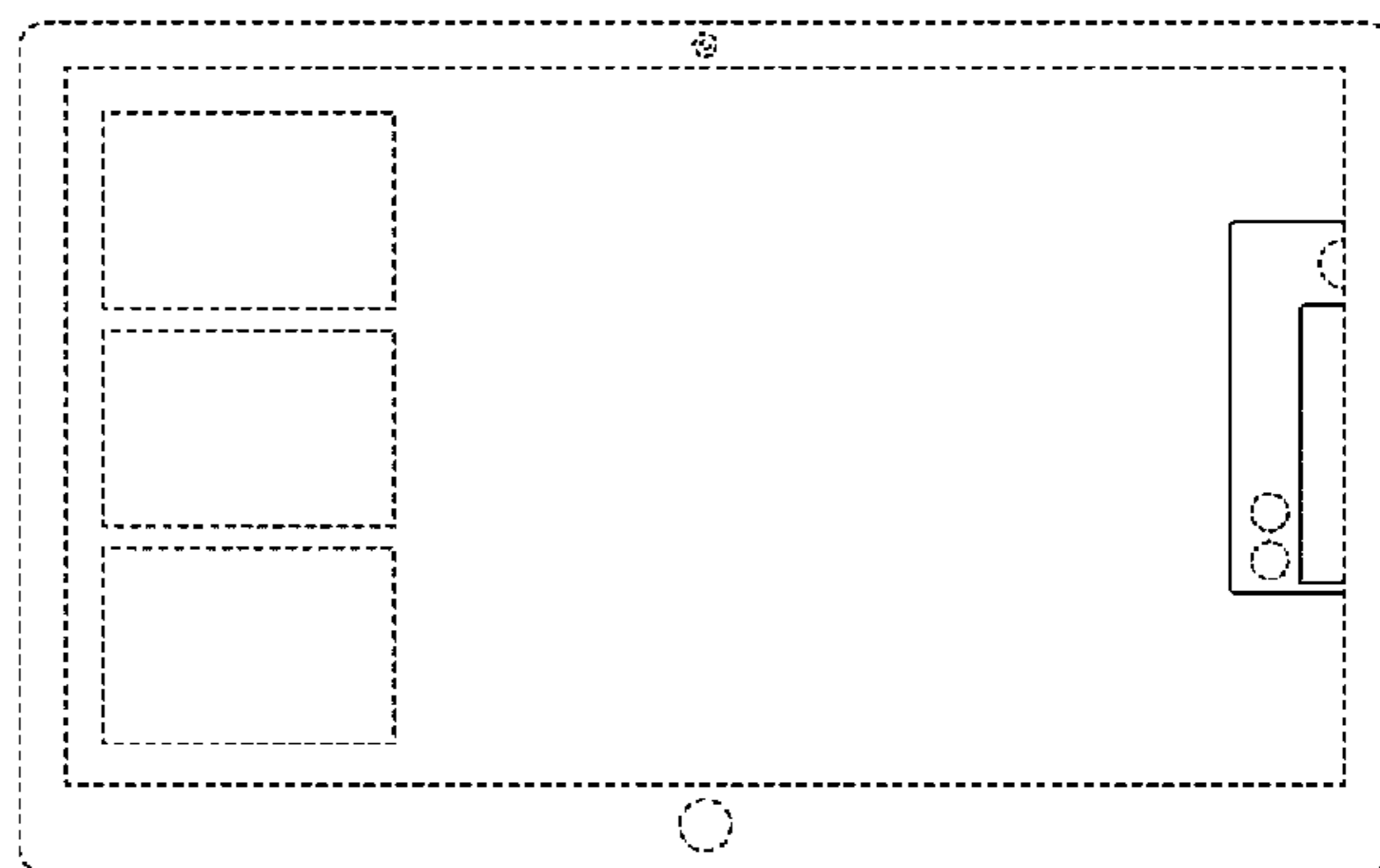
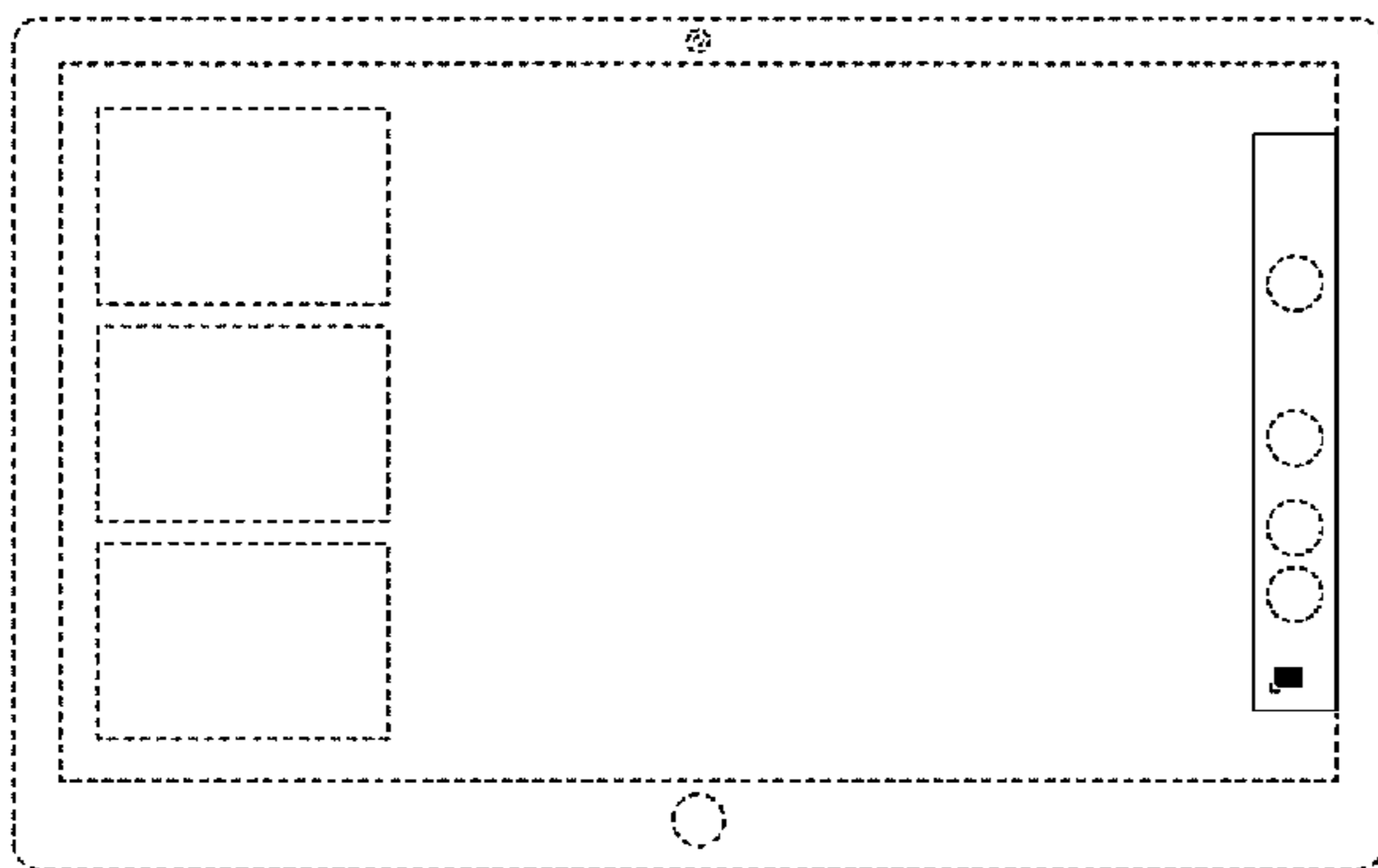
(57) **CLAIM**

The ornamental design for a display screen with animated graphical user interface, as shown and described.

DESCRIPTION

FIG. 1 is the first image in a sequence for a display screen with animated graphical user interface showing our new design; FIG. 2 is the second image thereof; FIG. 3 is the third image thereof; FIG. 4 is the fourth image thereof; FIG. 5 is the fifth image thereof; FIG. 6 is the sixth image thereof; and, FIG. 7 is the seventh image thereof. The broken lines shown in FIGS. 1-7 represent portions of the display screen with animated graphical user interface that form no part of the claimed design.

1 Claim, 7 Drawing Sheets



(56)

References Cited

U.S. PATENT DOCUMENTS

2013/0212522	A1 *	8/2013	Fleizach	715/784
2013/0254709	A1 *	9/2013	Koshimae et al.	715/799
2013/0275891	A1 *	10/2013	Holiday	715/762
2013/0298076	A1 *	11/2013	Rice et al.	715/781
2014/0043209	A1 *	2/2014	Walker et al.	345/1.2
2014/0115533	A1 *	4/2014	Suzuki et al.	715/799
2014/0232671	A1 *	8/2014	Chaudhri	345/173
2014/0258897	A1 *	9/2014	Shiplacoff et al.	715/764
2014/0282208	A1 *	9/2014	Chaudhri	715/779
2014/0351728	A1 *	11/2014	Seo et al.	715/766
2014/0354594	A1 *	12/2014	Kreutzer et al.	345/174
2014/0365957	A1 *	12/2014	Louch et al.	715/790
2015/0067582	A1 *	3/2015	Donnelly et al.	715/784
2015/0089442	A1 *	3/2015	Kang et al.	715/788
2015/0153929	A1 *	6/2015	Bernstein et al.	715/781
2015/0185970	A1 *	7/2015	Roh et al.	715/790

OTHER PUBLICATIONS

Nelson Chu et al., Detail Preserving Paint Modeling for 3D Brushes, published Jun. 7, 2010, by Association for Computing Machinery, Inc., USA [online]. [retrieved Jul. 16, 2013]. Retrieved from Internet, URL: <<http://research.microsoft.com/apps/pubs/default.aspx?id=121930>>.

Project Gustav: Immersive Digital Painting, published Mar. 2, 2010, by Microsoft Corporation, Redmond, WA, USA [online]. [retrieved Jul. 16, 2013]. Retrieved from Internet, URL: <<http://research.microsoft.com/en-us/projects/gustav/default.aspx>>.

Screenshots of Microsoft Paint program, published by Microsoft Corporation, Redmond, WA, USA. Print date Jul. 16, 2013. Date released unknown, but prior to the filing of the present application.

* cited by examiner

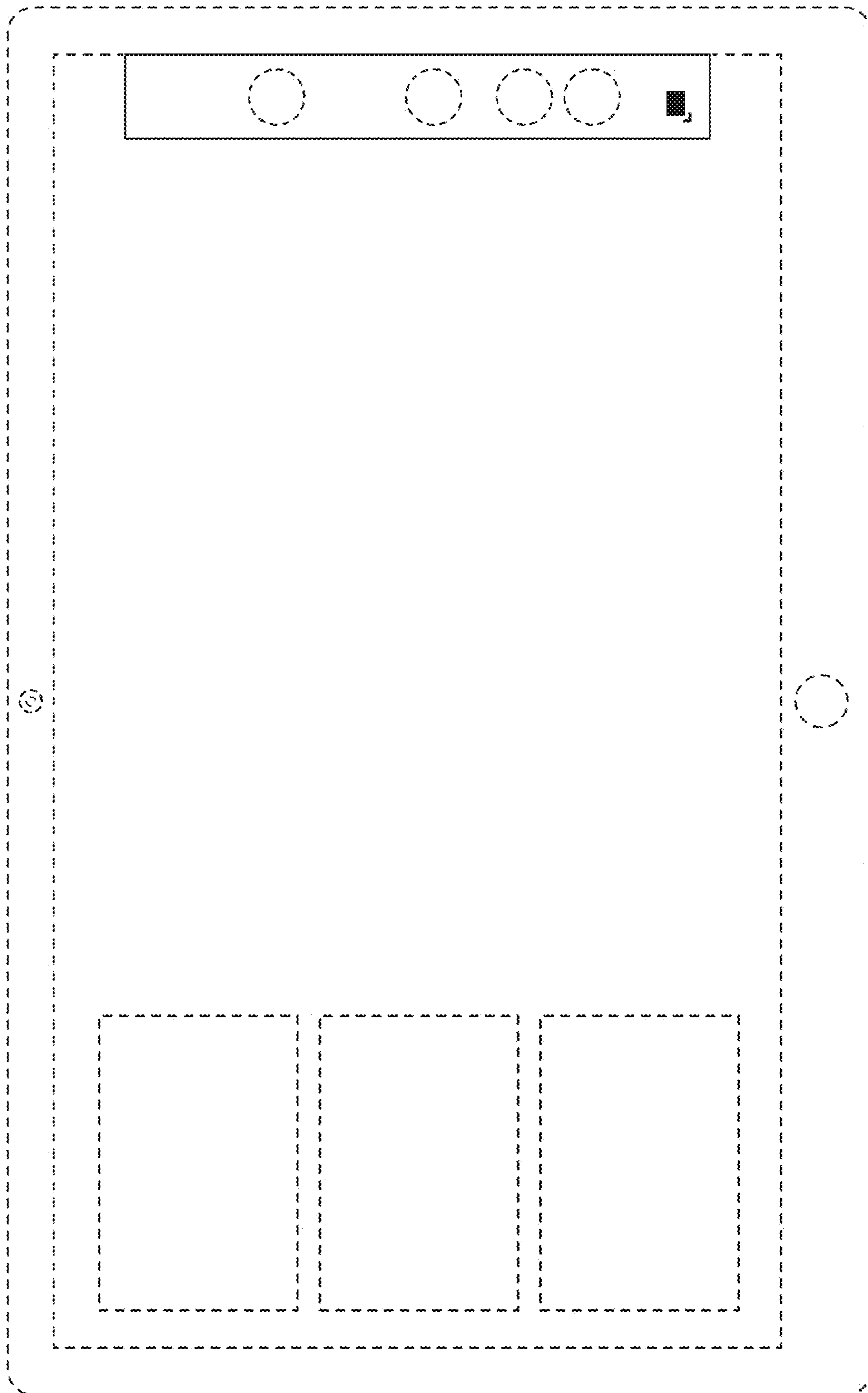


FIG. 1

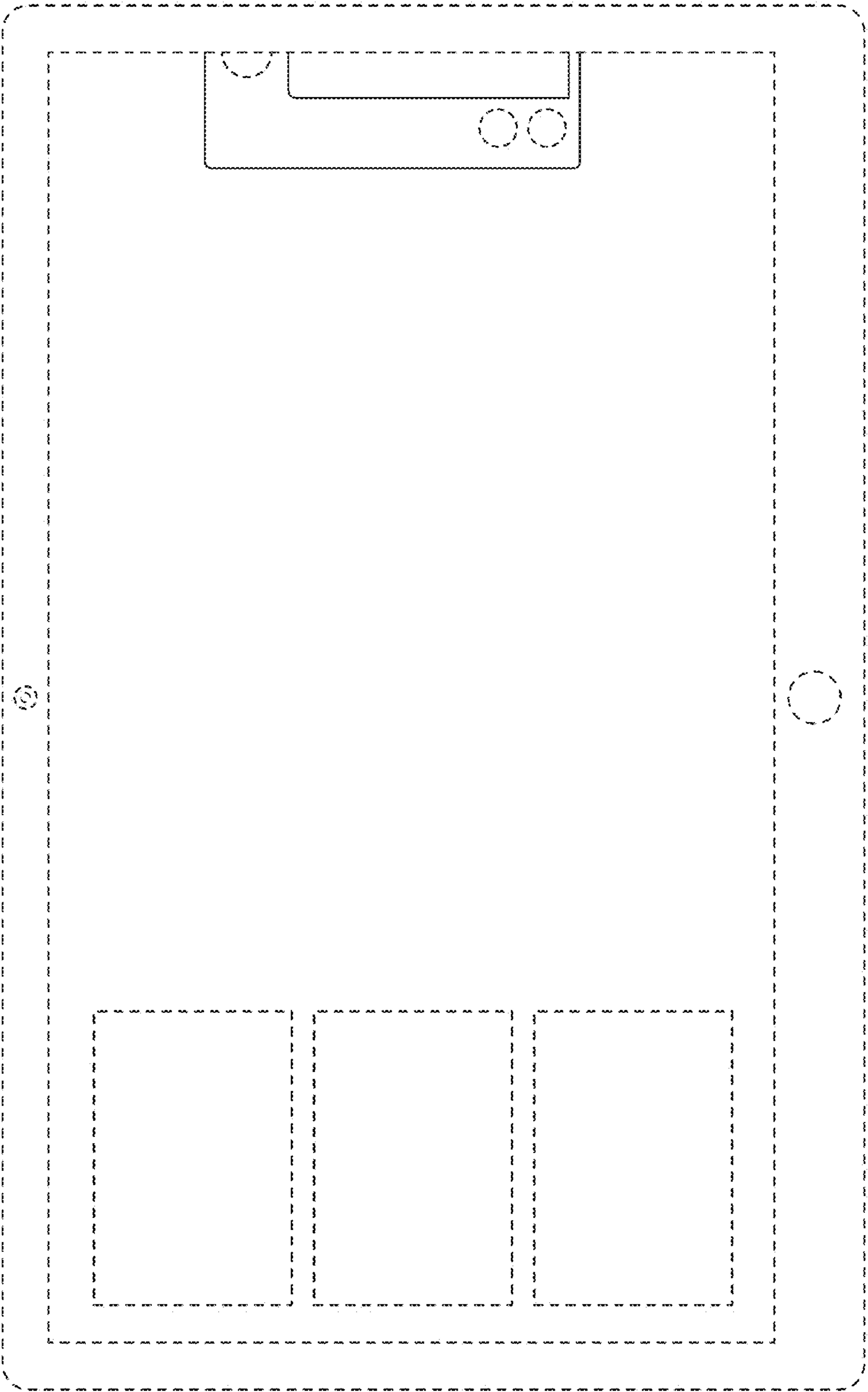


FIG. 2

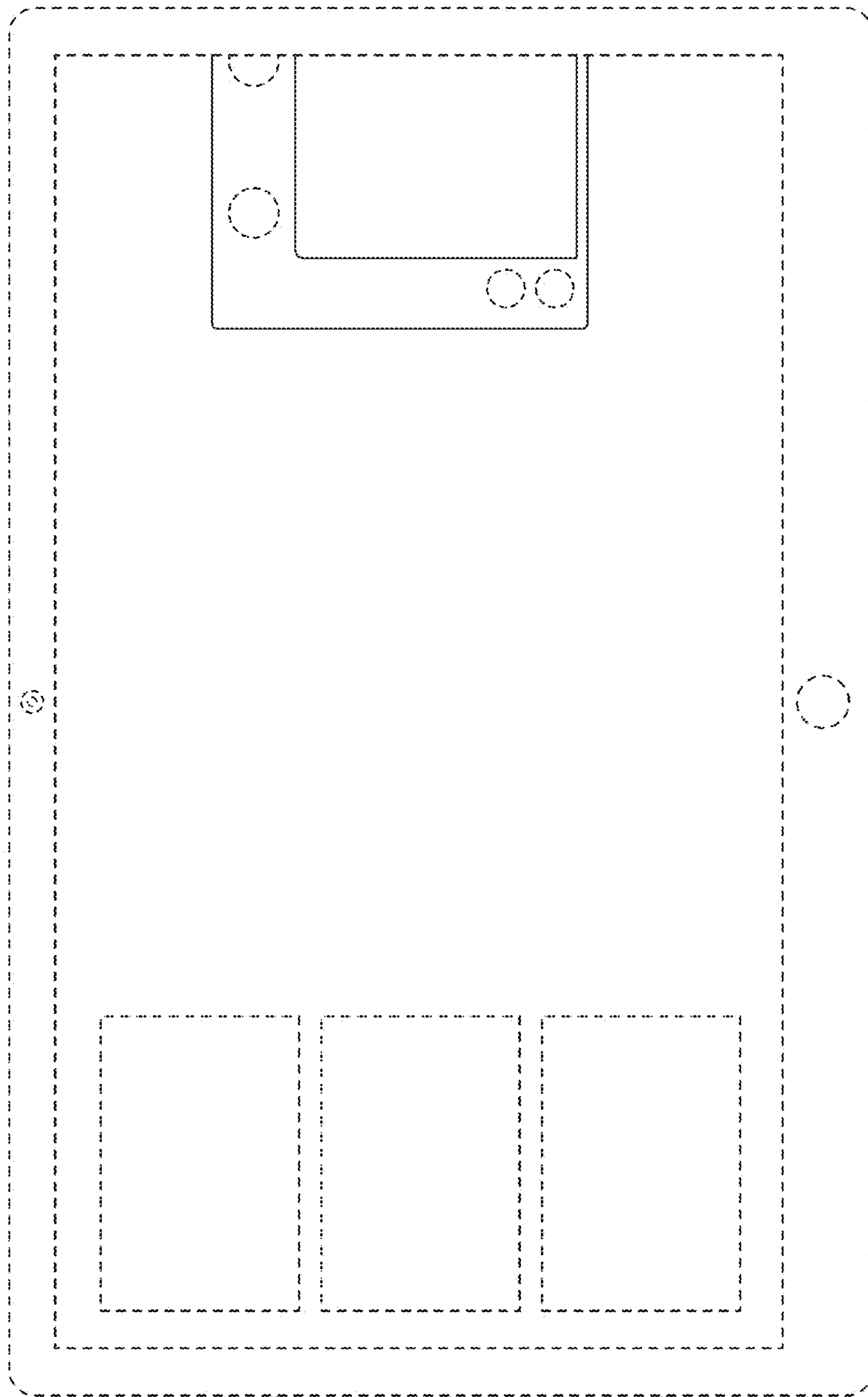


FIG. 3

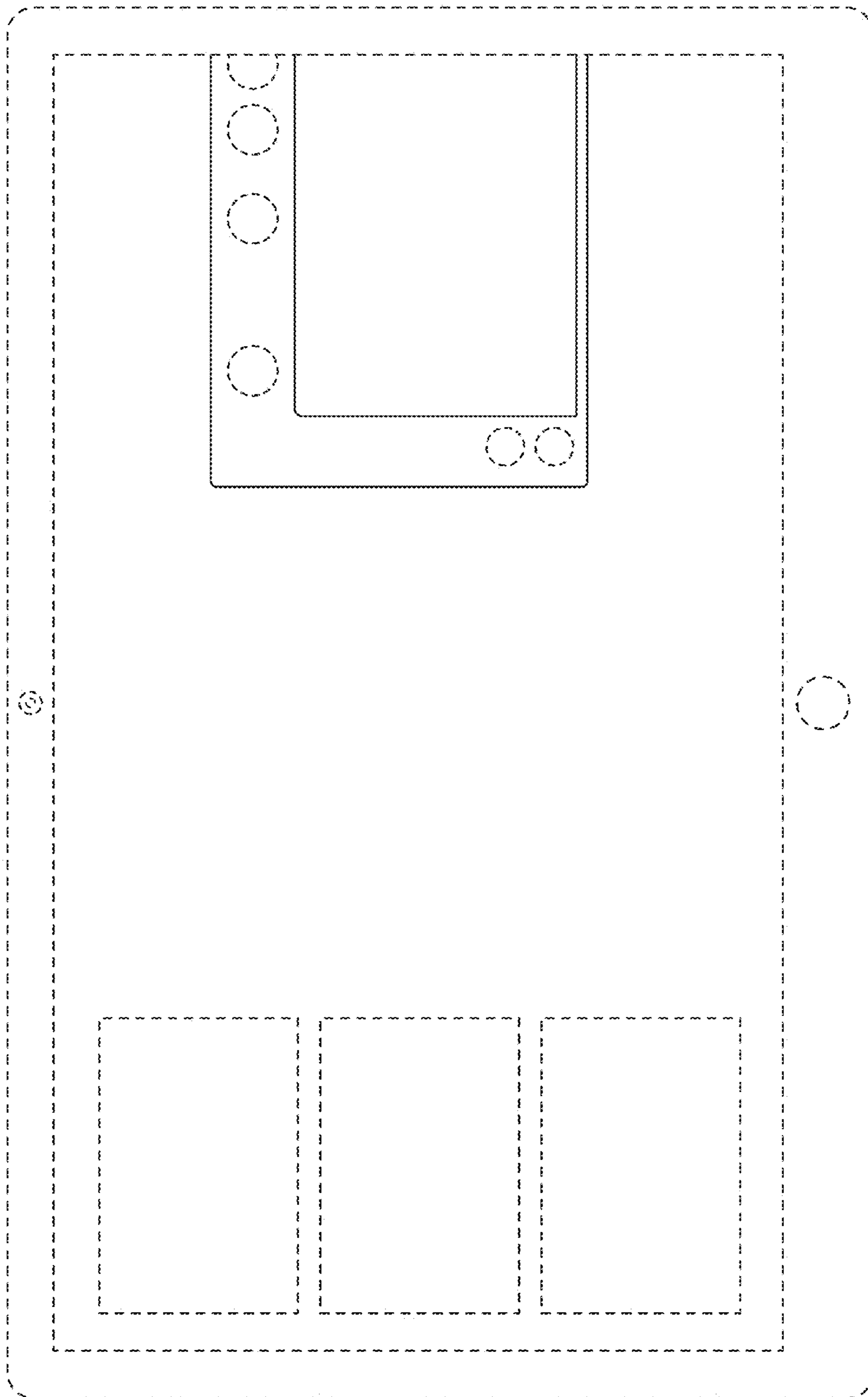


FIG. 4

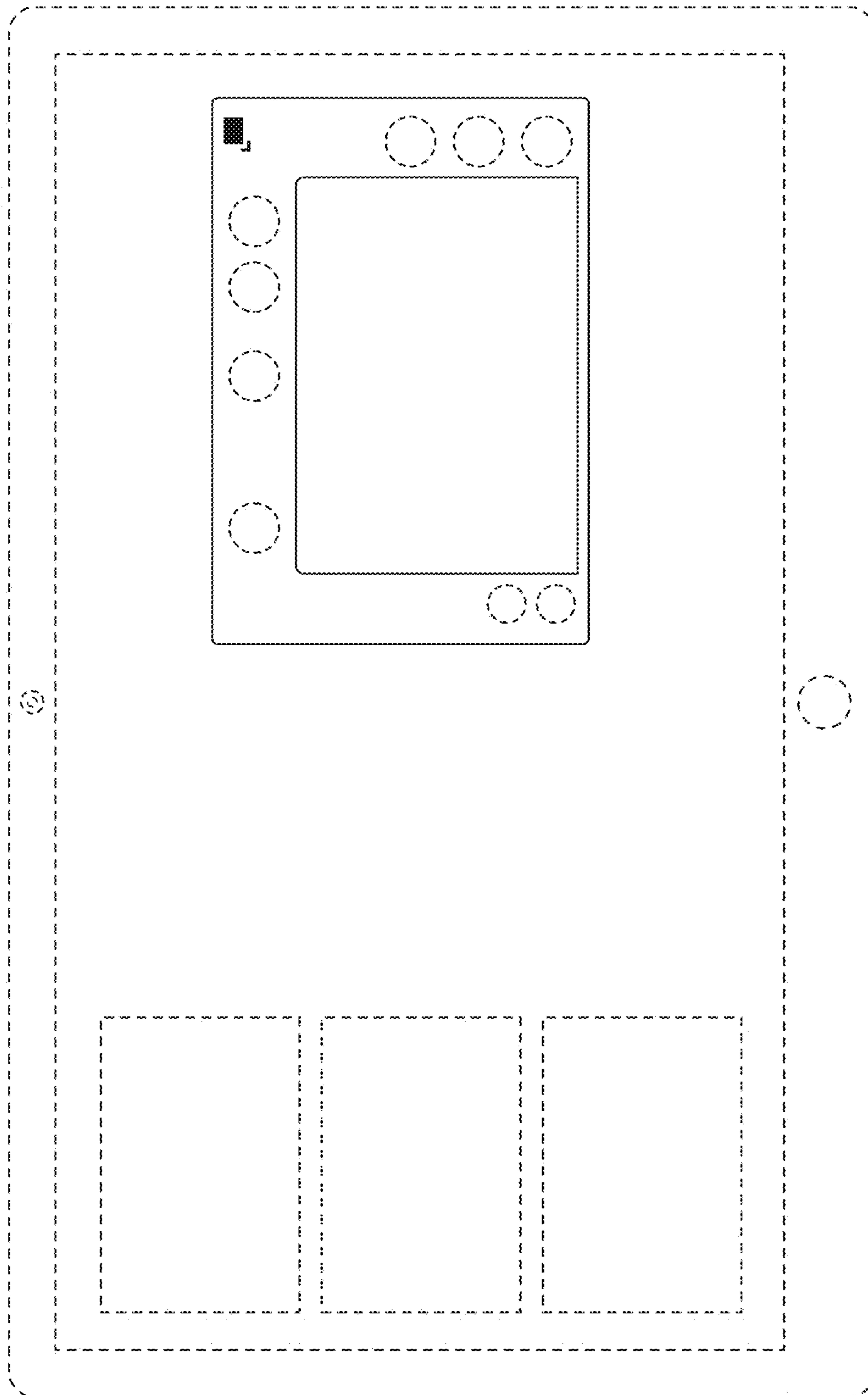


FIG. 5

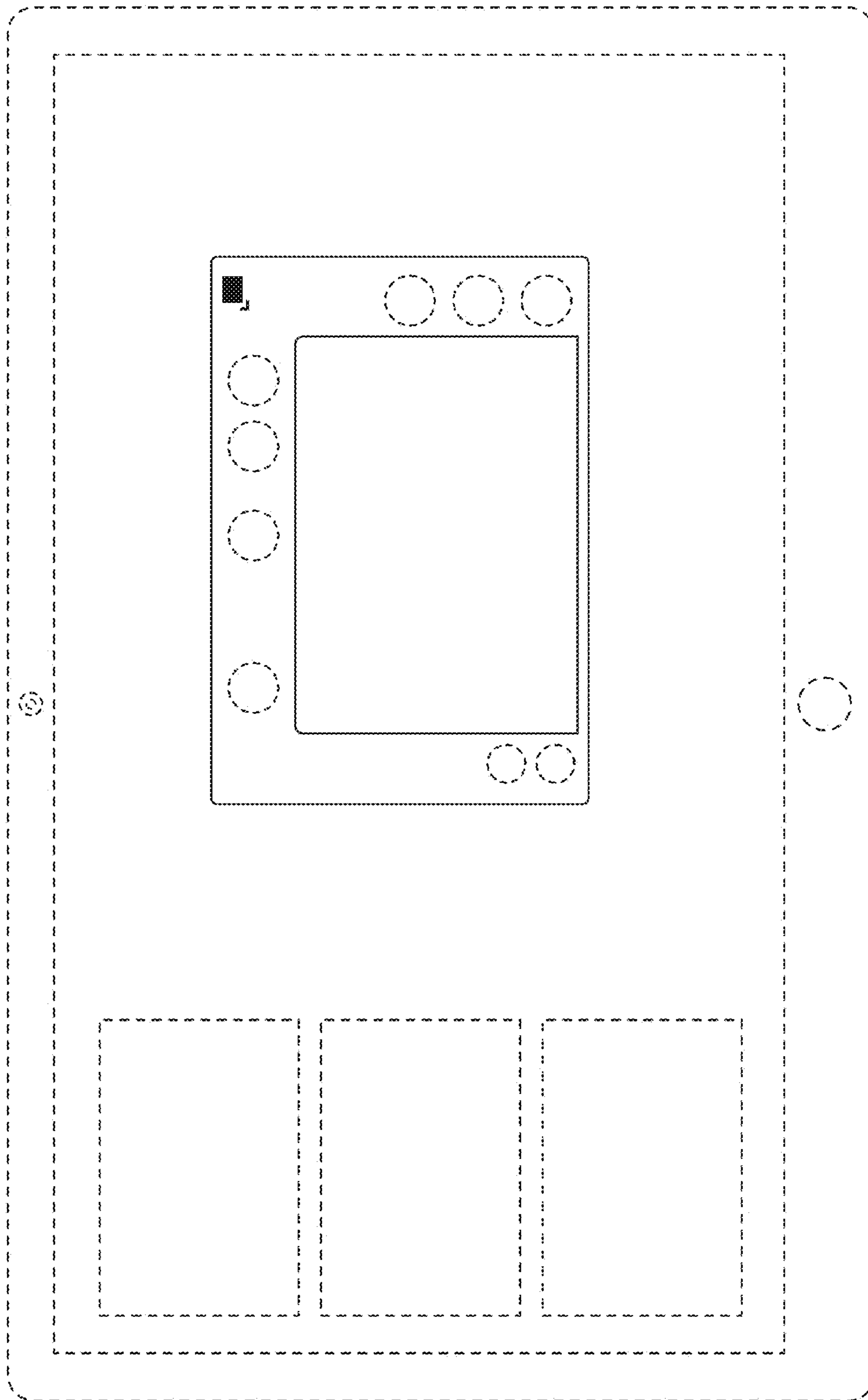


FIG. 6

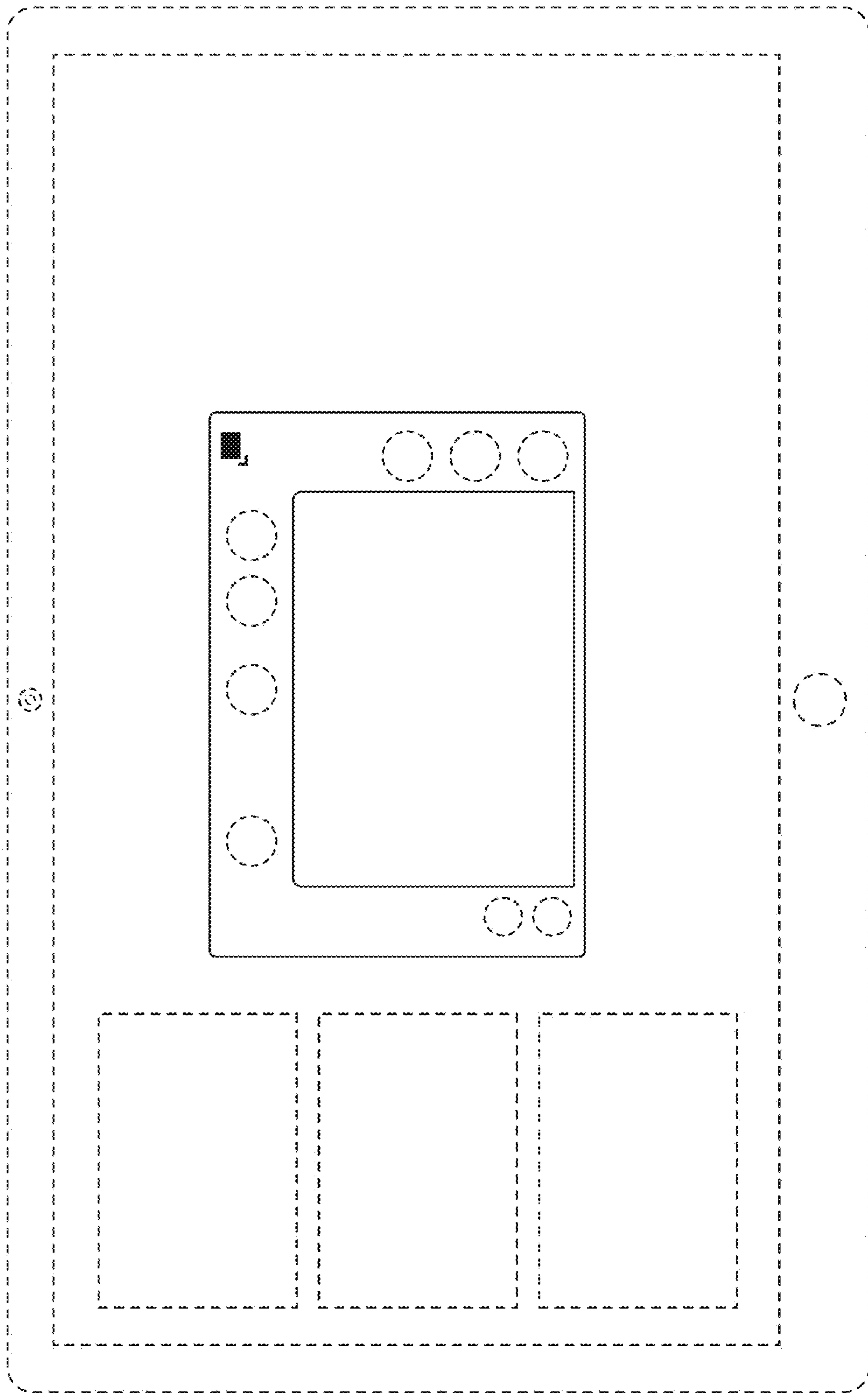


FIG. 7