



US00D738880S

(12) **United States Design Patent**
Hwangbo et al.

(10) **Patent No.:** **US D738,880 S**

(45) **Date of Patent:** **** *Sep. 15, 2015**

(54) **DISPLAY SCREEN**

(71) Applicant: **Samsung Electronics Co., Ltd.**,
Suwon-si, Gyeonggi-do (KR)

(72) Inventors: **Hyung Ho Hwangbo**, Seoul (KR); **Nam Hyun Park**, Suwon-si (KR); **Hae Sung Park**, Seoul (KR); **Ri-Na Sin**, Seoul (KR); **Do Sung Jung**, Seoul (KR); **Christopher Edward Bangle**, Clavesana (IT)

(73) Assignee: **SAMSUNG ELECTRONICS CO., LTD.**, Gyeonggi-Do (KR)

(*) Notice: This patent is subject to a terminal disclaimer.

(**) Term: **14 Years**

(21) Appl. No.: **29/464,902**

(22) Filed: **Aug. 22, 2013**

(30) **Foreign Application Priority Data**

Feb. 22, 2013 (KR) 30-2013-0009397

(51) **LOC (10) Cl.** **14-02**

(52) **U.S. Cl.**
USPC **D14/374**

(58) **Field of Classification Search**
USPC D14/371-375, 125-129, 336, 337, 341, D14/138 R; 341/12; 345/104, 156, 168, 173; 348/180, 184, 325, 739; 349/1, 2, 11, 349/62; 361/679.05-679.07, 679.21; D6/300, 308

See application file for complete search history.

(56) **References Cited**

U.S. PATENT DOCUMENTS

D607,854 S * 1/2010 Sagawa D14/126
D669,076 S * 10/2012 Haller D14/374
D673,129 S * 12/2012 Kumano D14/126

* cited by examiner

Primary Examiner — Freda S Nunn

(74) *Attorney, Agent, or Firm* — Harness, Dickey & Pierce, P.L.C.

(57) **CLAIM**

The ornamental design for a display screen, as shown and described.

DESCRIPTION

FIG. 1 is the front perspective view of a display screen showing our new design;
FIG. 2 is a front view thereof;
FIG. 3 is a rear view thereof;
FIG. 4 is a left-side view thereof;
FIG. 5 is a right-side view thereof;
FIG. 6 is a top plan view thereof;
FIG. 7 is a bottom plan view thereof;
FIG. 8 is the rear perspective view thereof; and,
FIG. 9 is a partially enlarged section view of FIG. 5 that is included to more clearly depict the design from the right-side view (A) of FIG. 5.

The surface treatment of the display screen shown in the figures forms no part of the claimed design.
The broken lines shown in the drawings represent unclaimed portions.

1 Claim, 8 Drawing Sheets

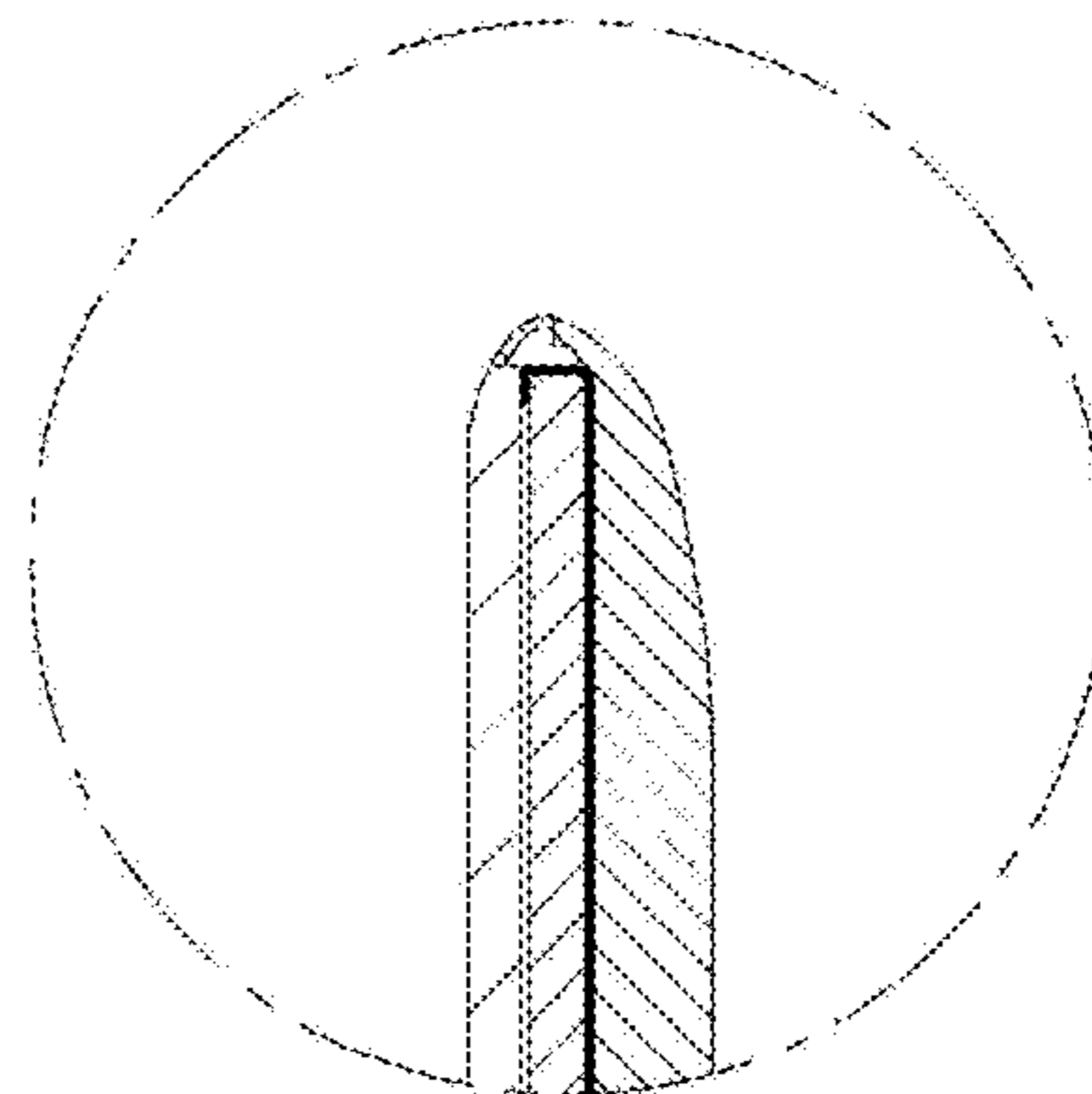
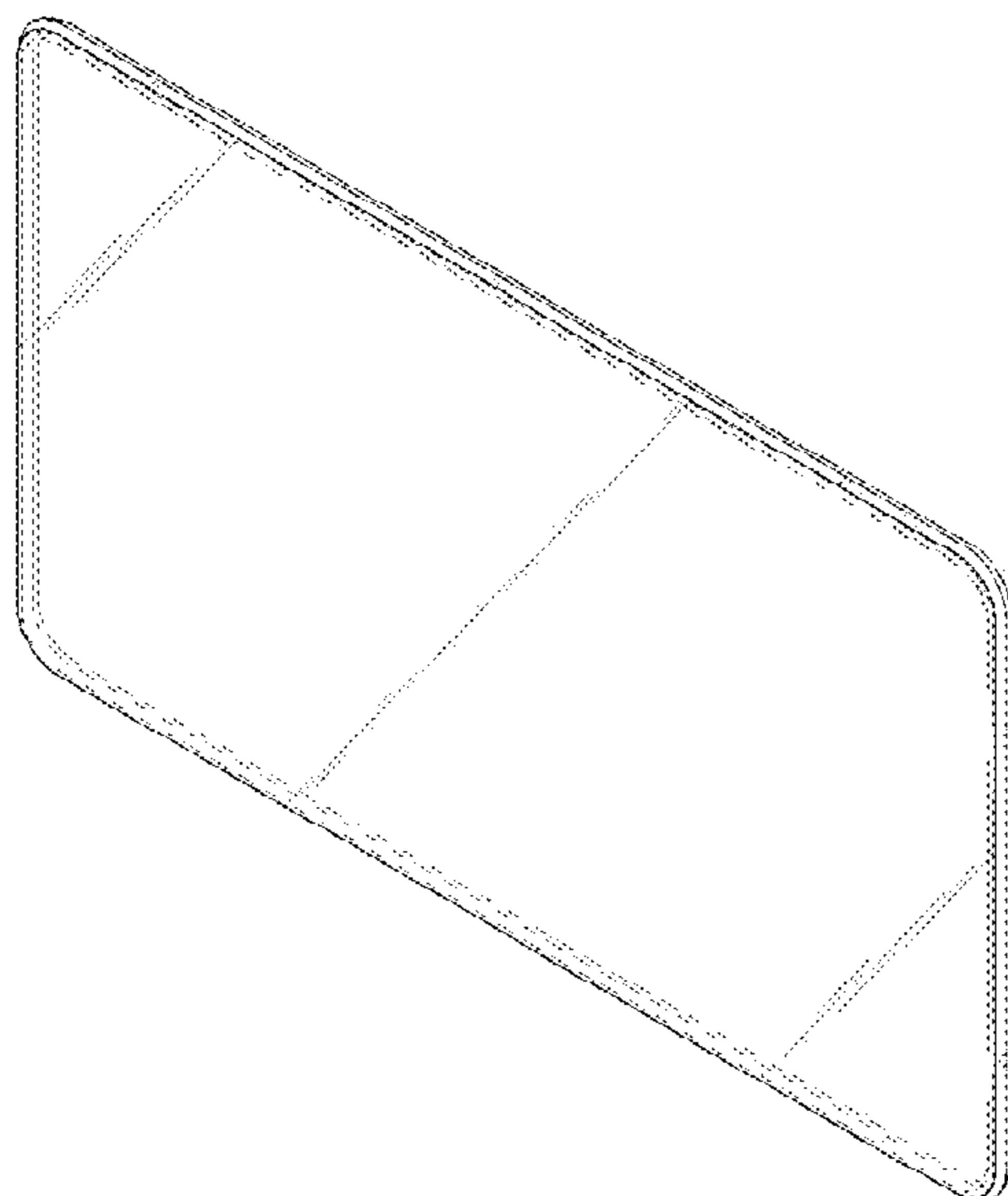


FIG. 1

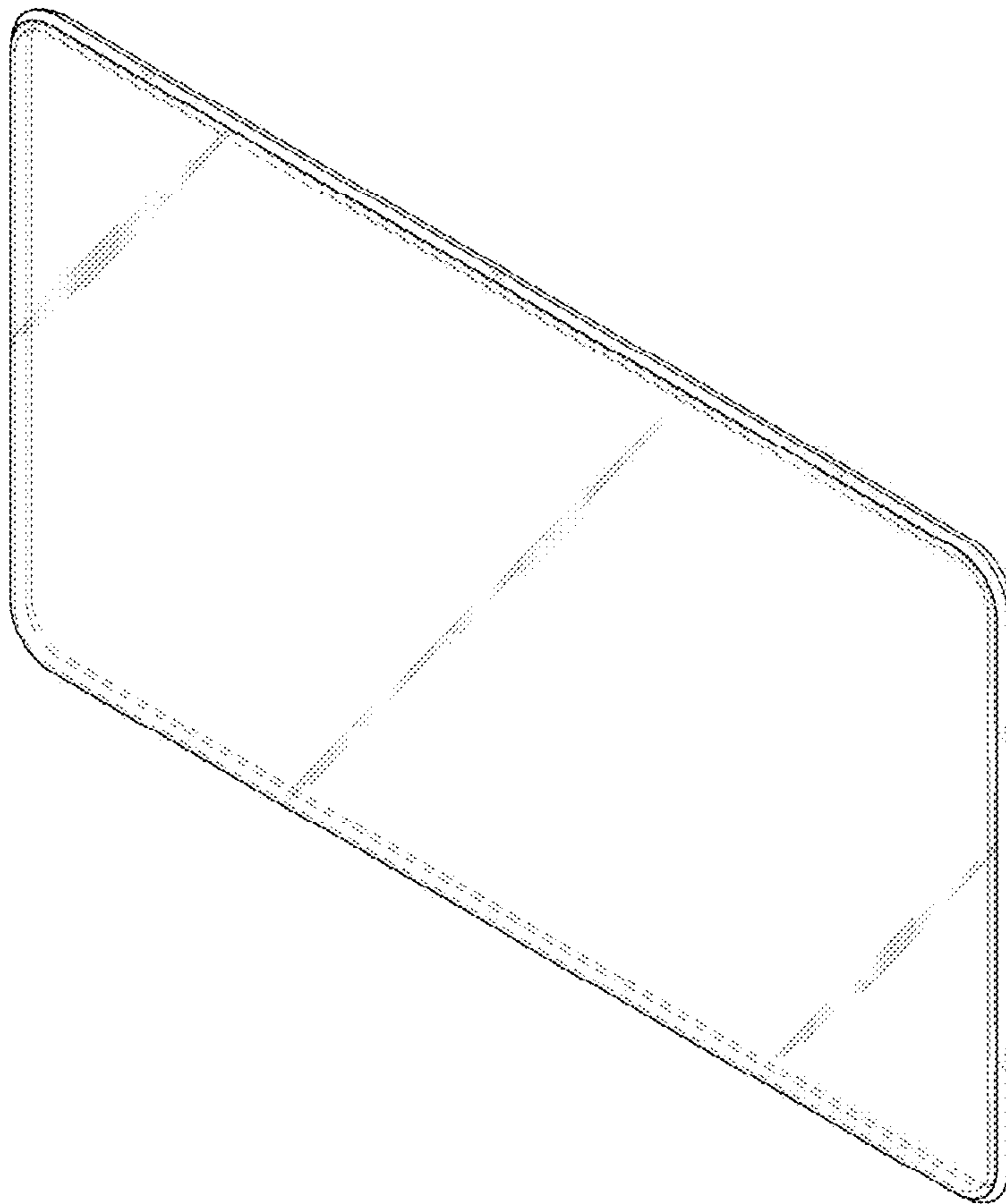


FIG. 2

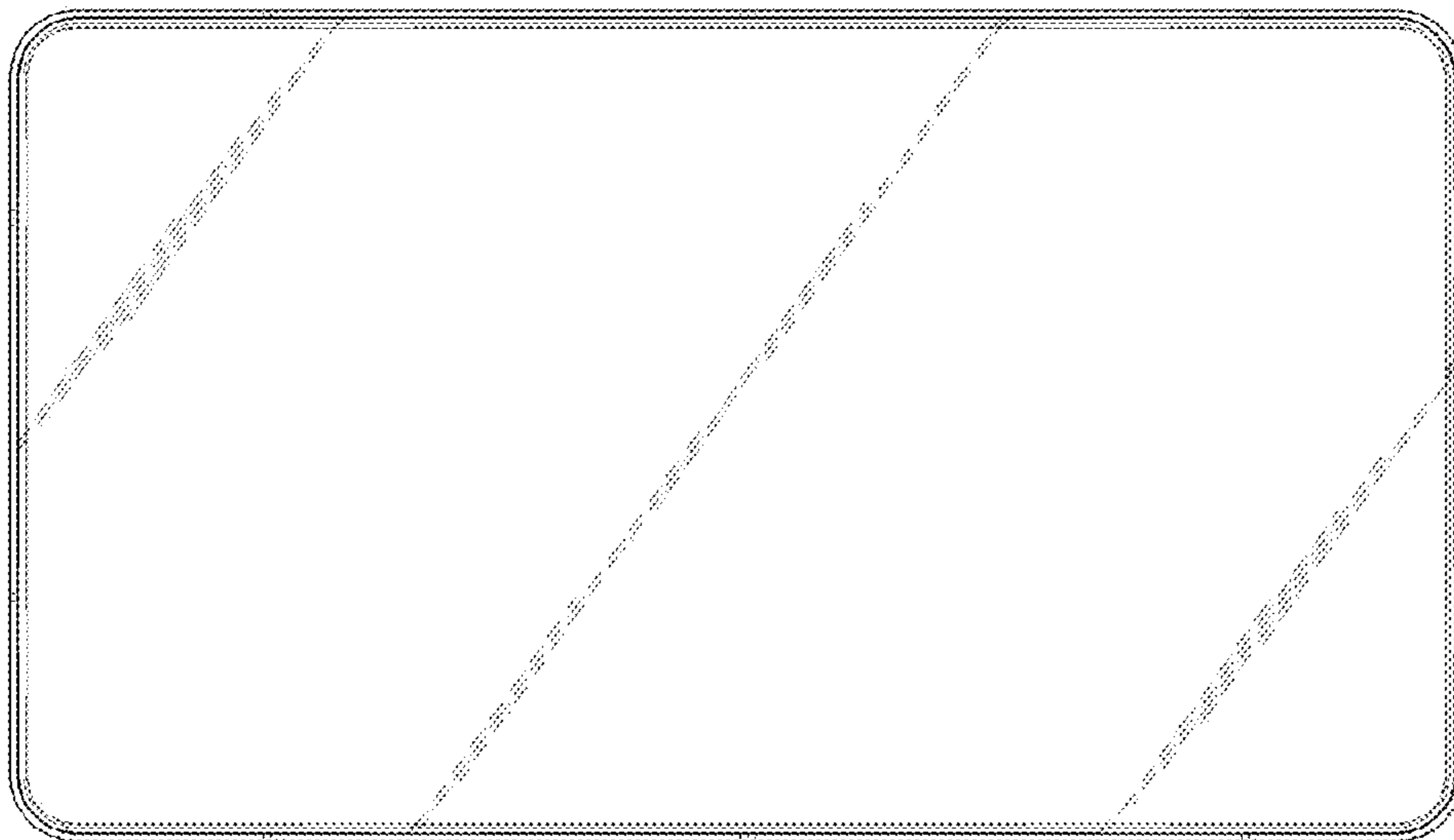


FIG. 3

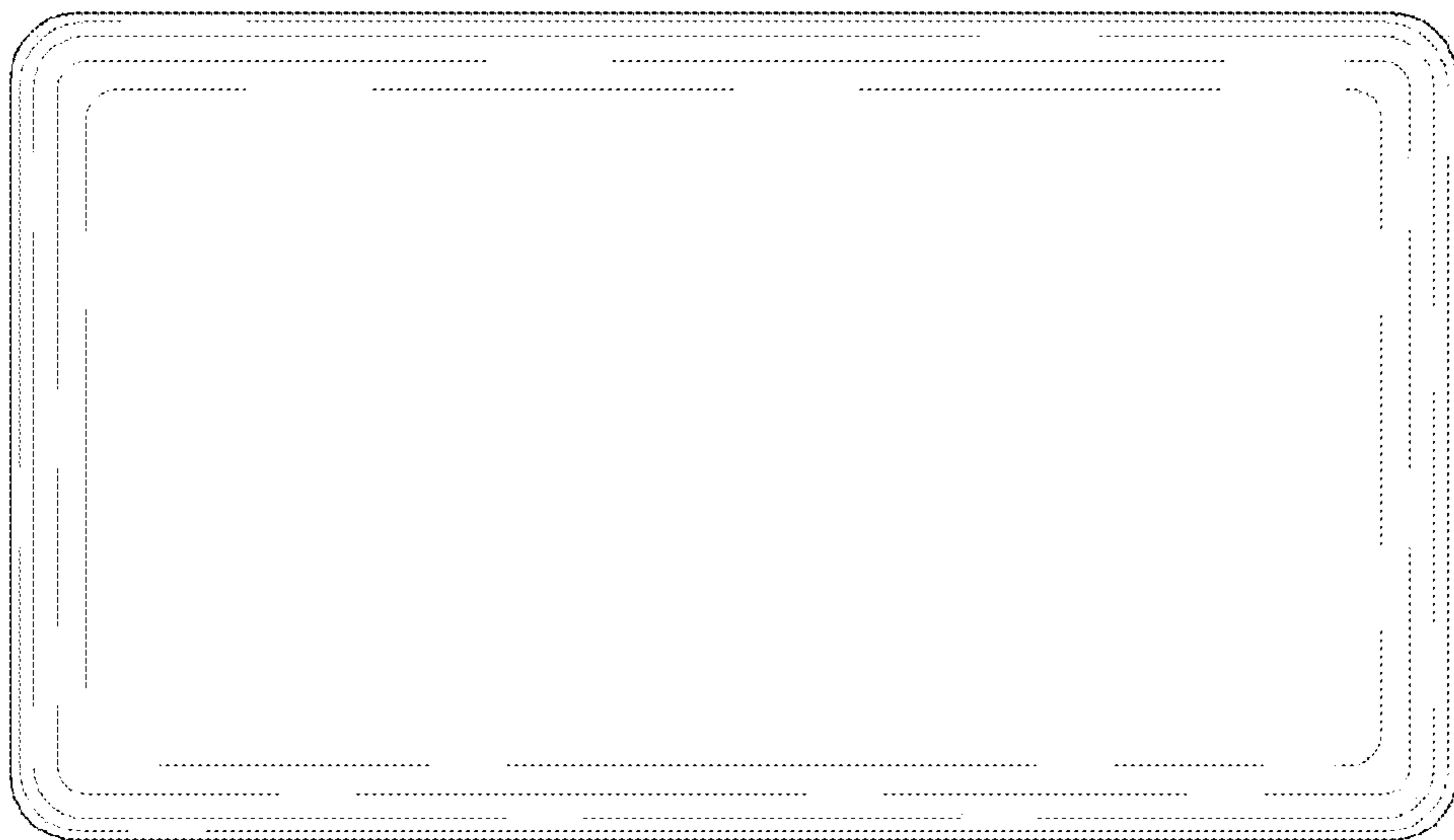


FIG. 4

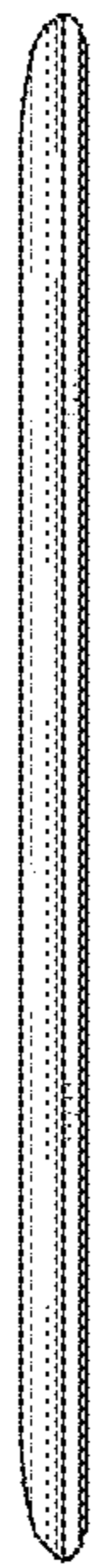


FIG. 5

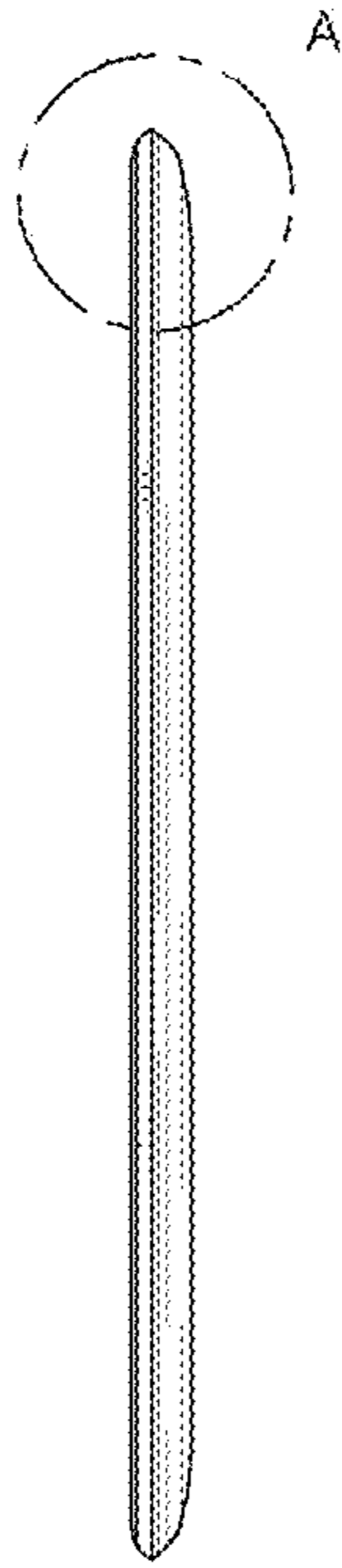


FIG. 6

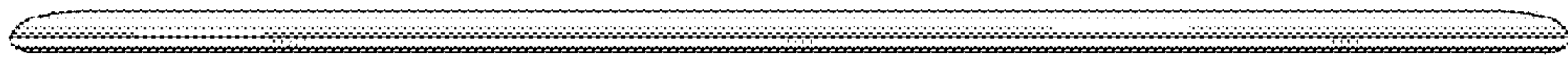


FIG. 7



FIG. 8

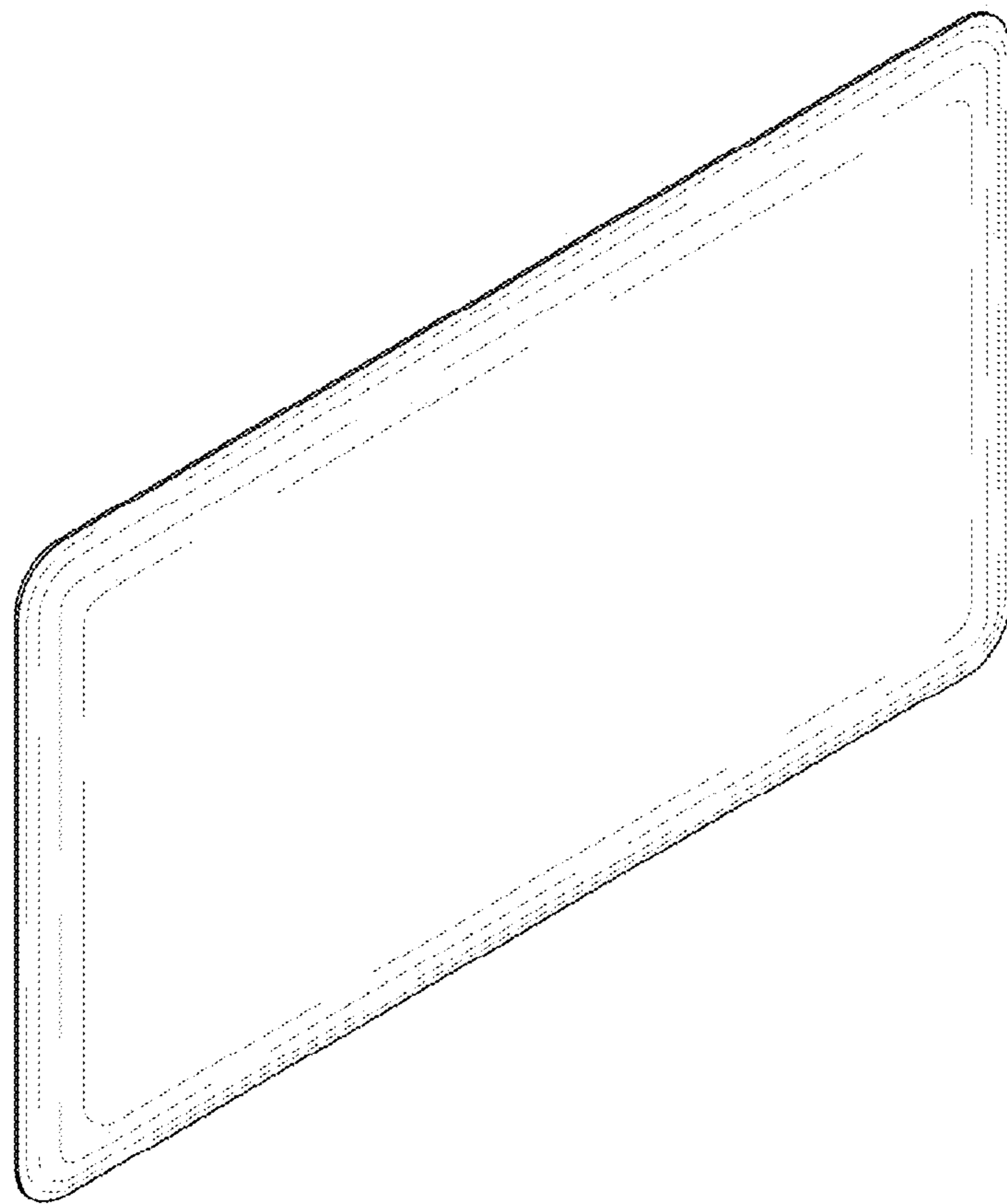


FIG. 9

