



US00D738878S

(12) **United States Design Patent**
Lee et al.

(10) **Patent No.:** **US D738,878 S**
(45) **Date of Patent:** **** Sep. 15, 2015**

(54) **MOBILE PHONE**
(71) Applicant: **LG ELECTRONICS INC.**, Seoul (KR)
(72) Inventors: **Hophil Lee**, Seoul (KR); **Sanghyun Choi**, Seoul (KR); **Dongeun Kim**, Seoul (KR)
(73) Assignee: **LG Electronics Inc.**, Seoul (KR)
(**) Term: **14 Years**
(21) Appl. No.: **29/503,063**
(22) Filed: **Sep. 23, 2014**
(30) **Foreign Application Priority Data**

Mar. 24, 2014 (KR) 30-2014-0014629

(51) **LOC (10) Cl.** **14-02**

(52) **U.S. Cl.**

USPC **D14/344**; D14/138 R; D10/104.2

(58) **Field of Classification Search**

USPC D14/140, 137, 138 R, 138 AB, 139, 144, D14/155, 167, 191, 192, 203.1, 203.3, D14/203.4, 203.5, 203.7, 248, 226, 218, D14/240, 344, 440, 341, 346, 448, 450, D14/496; D10/30-32, 37-39, 65, 70, 77, D10/78, 98, 104.1, 104.2, 106.1, 125; D11/3-5, 12, 19, 25; D13/168; D3/215; D15/199; 381/364, 151; 379/433.1; 455/575.1, 575.3, 575.4, 455/575.6, 556.1, 556.2, 558, 90.3; 368/10, 368/13, 69, 223, 281, 282, 294, 295, 296; D21/329, 513; D24/167, 186; 352/357.74

CPC H04M 1/0227; H04M 1/03; H04M 1/04; G04G 9/00; G04G 17/00; G04G 17/04; G04G 17/06; G01S 19/34; H01Q 1/273

See application file for complete search history.

(56) **References Cited**

U.S. PATENT DOCUMENTS

D423,389 S * 4/2000 Boyd D10/104.2

D474,117 S * 5/2003 Dubois D10/30
D548,128 S * 8/2007 Andren et al. D11/3
D557,624 S * 12/2007 Coster et al. D10/70
D594,358 S * 6/2009 Lammers-Meis et al. D10/65
D596,513 S * 7/2009 Lammers-Meis et al. D10/65
D621,731 S * 8/2010 Goody et al. D10/65
D631,552 S * 1/2011 Kasabach et al. D24/186
D644,542 S * 9/2011 Henne et al. D10/65
8,059,491 B1 * 11/2011 Hennings-Kampa 368/14
D659,037 S * 5/2012 Madsen et al. D10/65
D670,583 S * 11/2012 Shaanan D10/70
D675,946 S * 2/2013 Chan D10/65
D693,251 S * 11/2013 Anderssen et al. D10/70
D705,673 S * 5/2014 Arellano D10/38
D705,980 S * 5/2014 Davidson et al. D26/118

(Continued)

Primary Examiner — Susan Bennett Hattan

Assistant Examiner — Marie Fast Horse

(74) *Attorney, Agent, or Firm* — Birch, Stewart, Kolasch & Birch, LLP

(57) **CLAIM**

The ornamental design for a mobile phone, as shown and described.

DESCRIPTION

FIG. 1 is a perspective view of a mobile phone showing our new design;

FIG. 2 is a front view thereof;

FIG. 3 is a rear view thereof;

FIG. 4 is a left side view thereof;

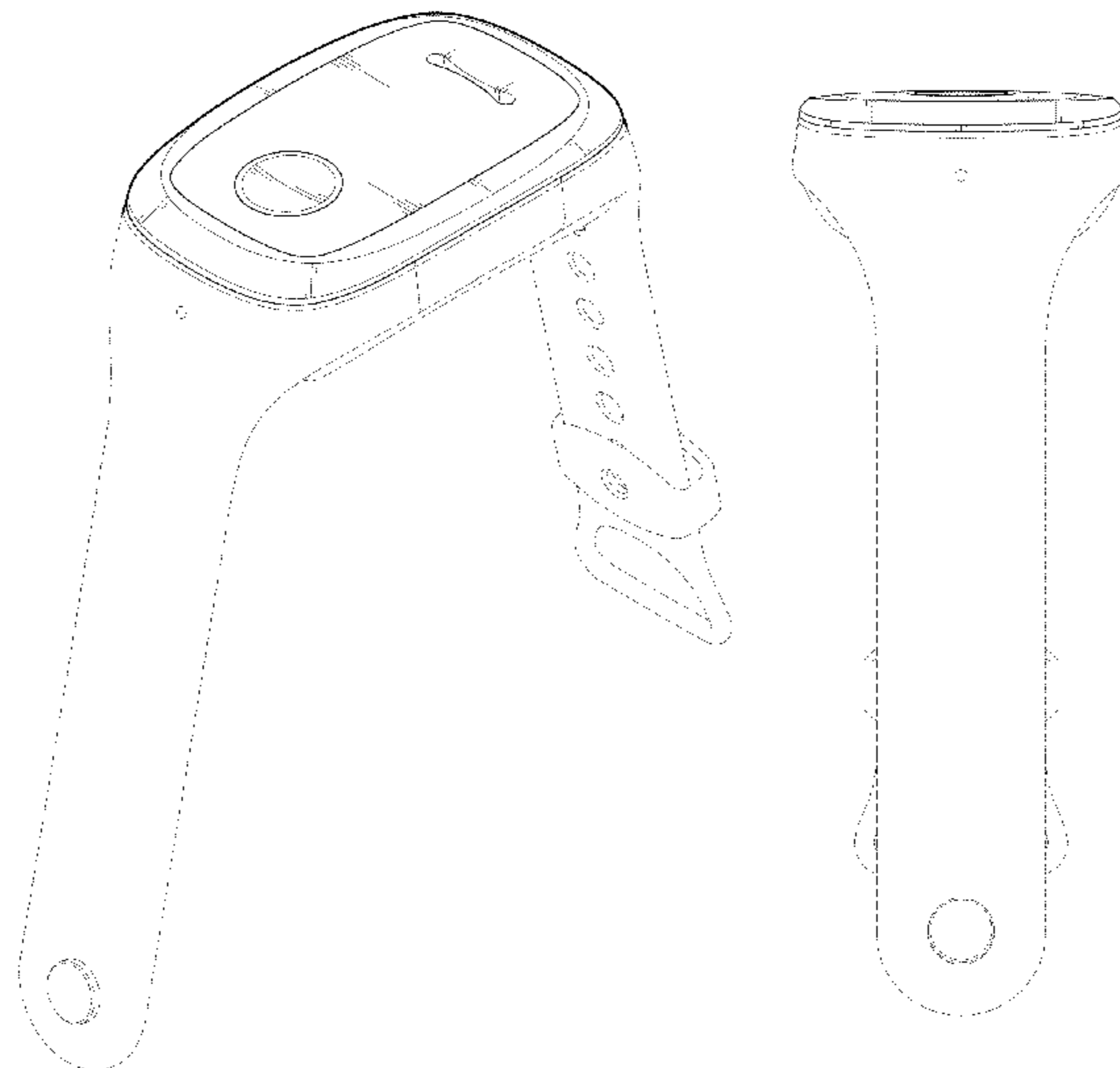
FIG. 5 is a right side view thereof;

FIG. 6 is a top plan view thereof; and,

FIG. 7 is a bottom plan view thereof.

The broken lines depict portions of the mobile phone that form no part of the claimed design. The dash-dot broken lines define the bounds of the claimed design and form no part thereof.

1 Claim, 7 Drawing Sheets



(56)

References Cited

U.S. PATENT DOCUMENTS

D711,758 S *	8/2014	Heath et al.	D10/104.1	D726,567 S *	4/2015	De Jong et al.	D10/98
D717,678 S *	11/2014	Anderssen et al.	D10/98	D726,680 S *	4/2015	Kim et al.	D14/138 R
D721,292 S *	1/2015	Choi et al.	D10/98	D730,199 S *	5/2015	Gerard-Goddet	D10/32
D725,072 S *	3/2015	Kim et al.	D14/138 R	D730,210 S *	5/2015	Song	D10/70
D725,652 S *	3/2015	Ishii	D14/344	2012/0122519 A1 *	5/2012	Jochheim	455/556.1
D726,052 S *	4/2015	Henning	D10/98	2012/0274508 A1 *	11/2012	Brown et al.	342/357.25
				2014/0169142 A1 *	6/2014	Heck et al.	368/205
				2014/0218911 A1 *	8/2014	Tsai et al.	362/235

* cited by examiner

FIG. 1

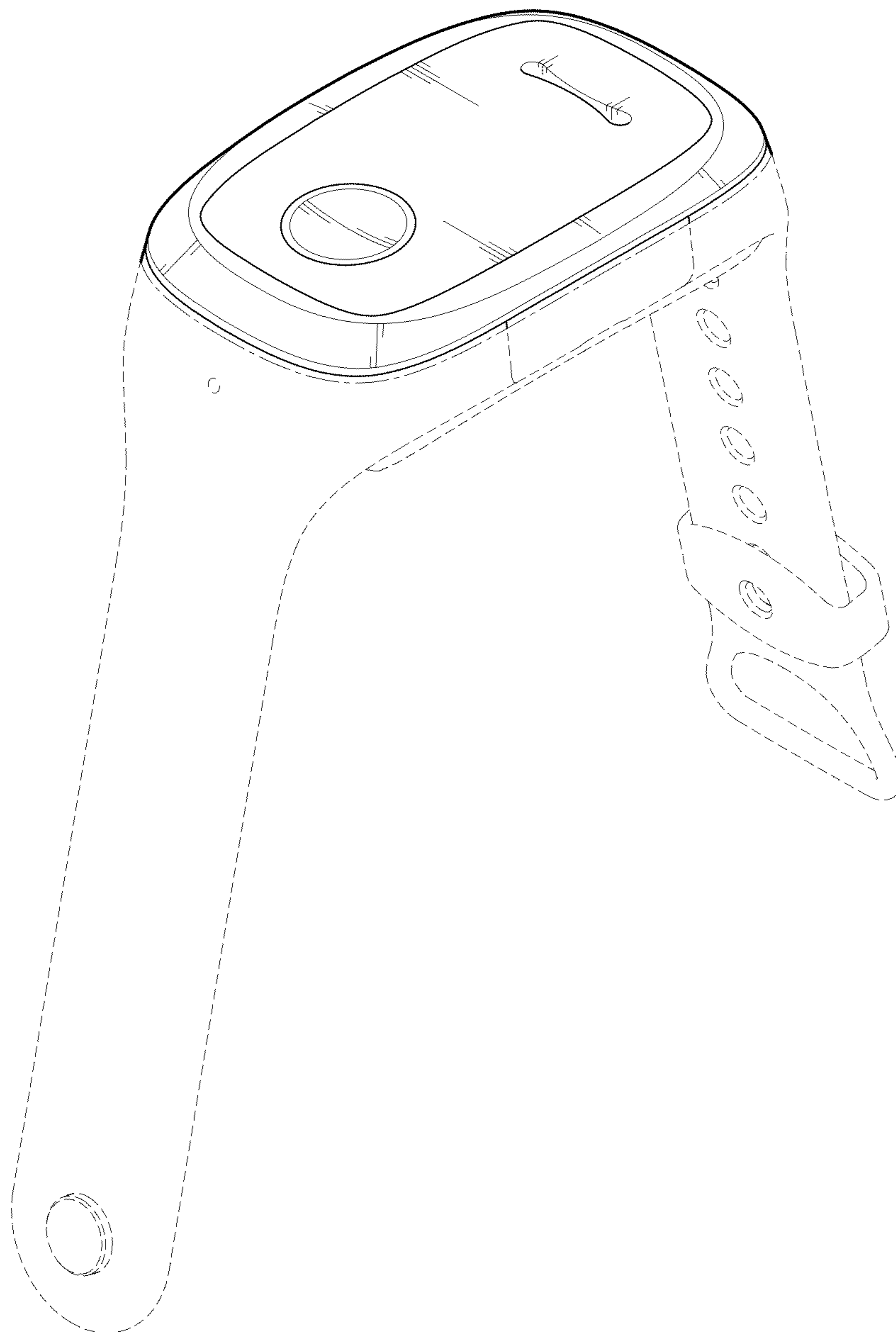


FIG. 2

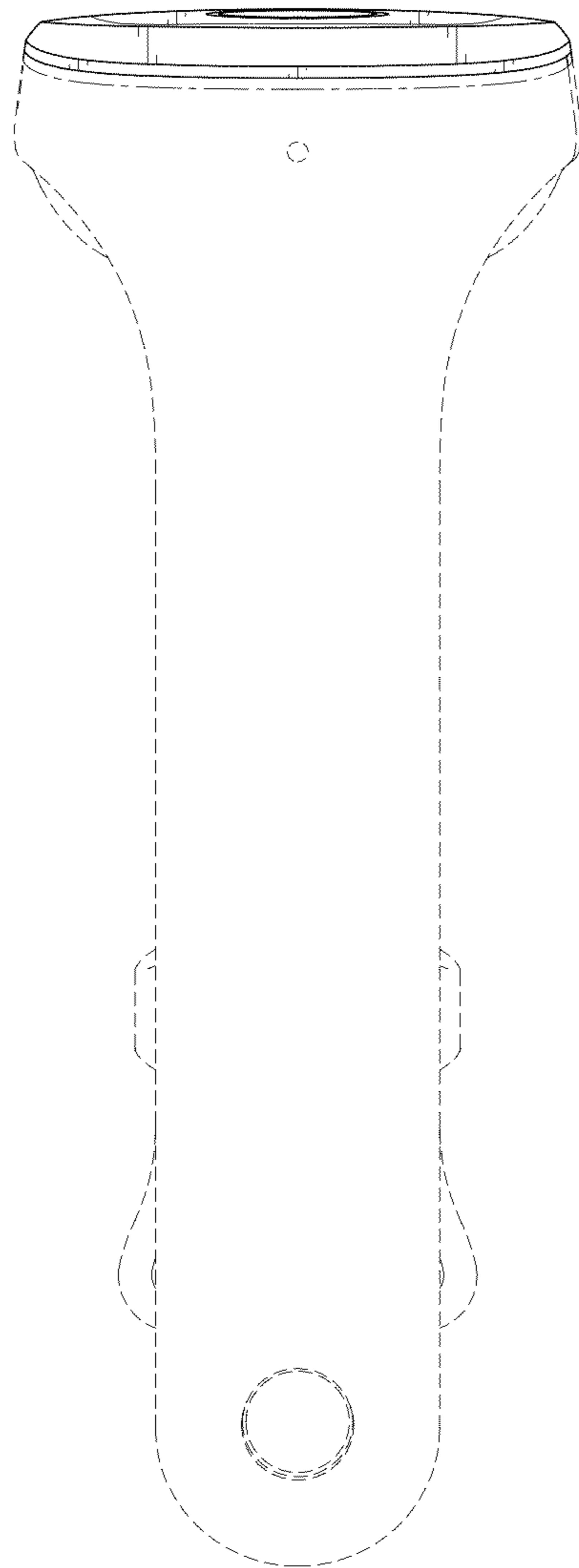


FIG. 3

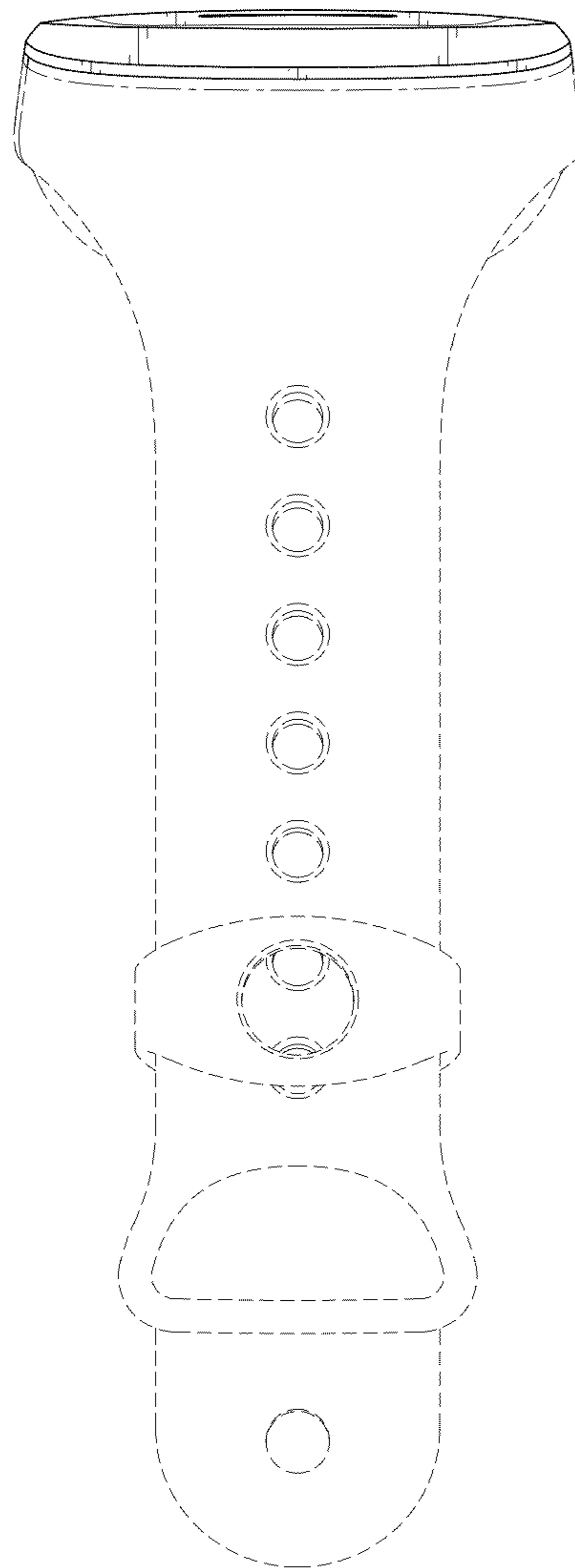


FIG. 4

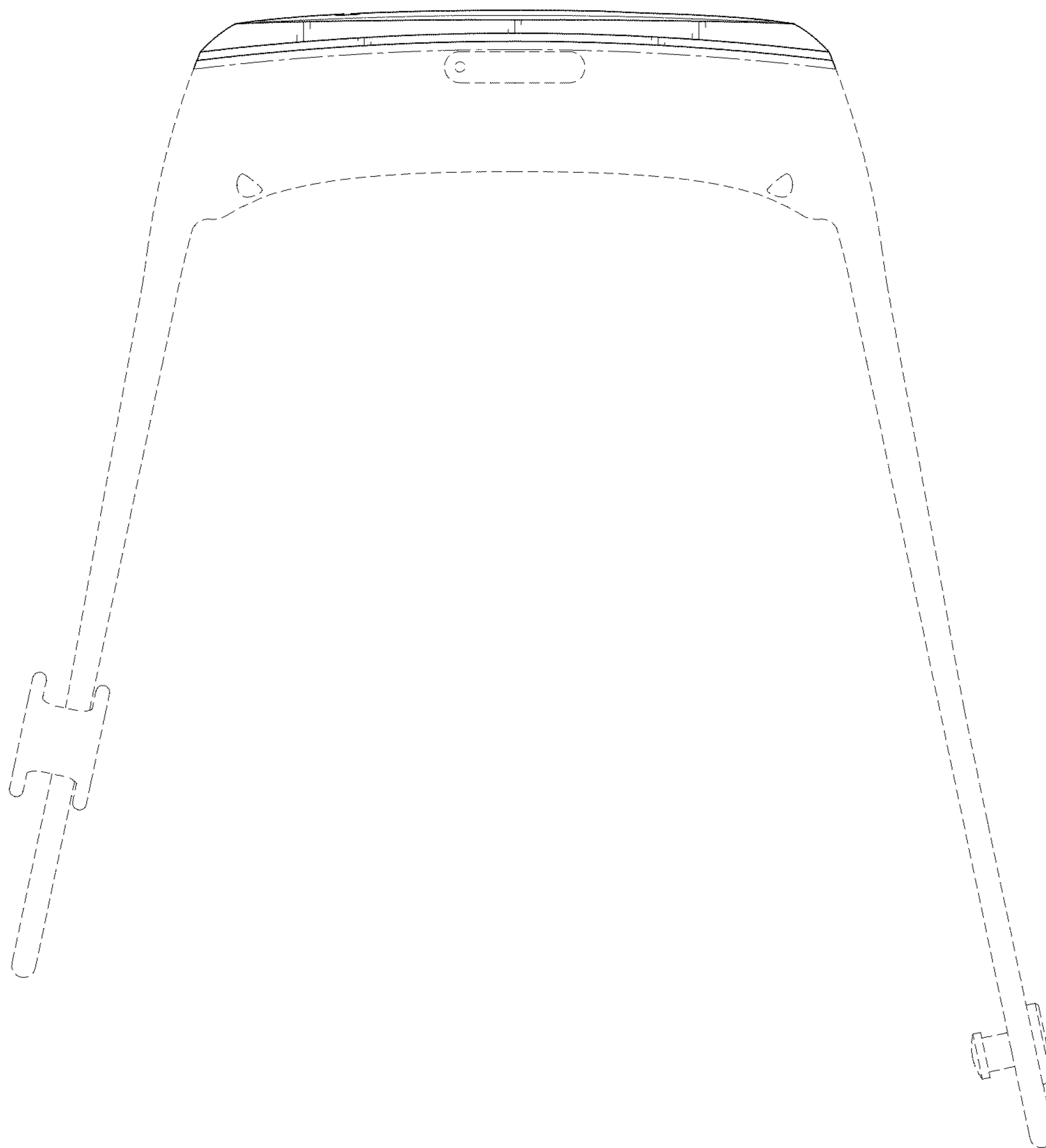


FIG. 5

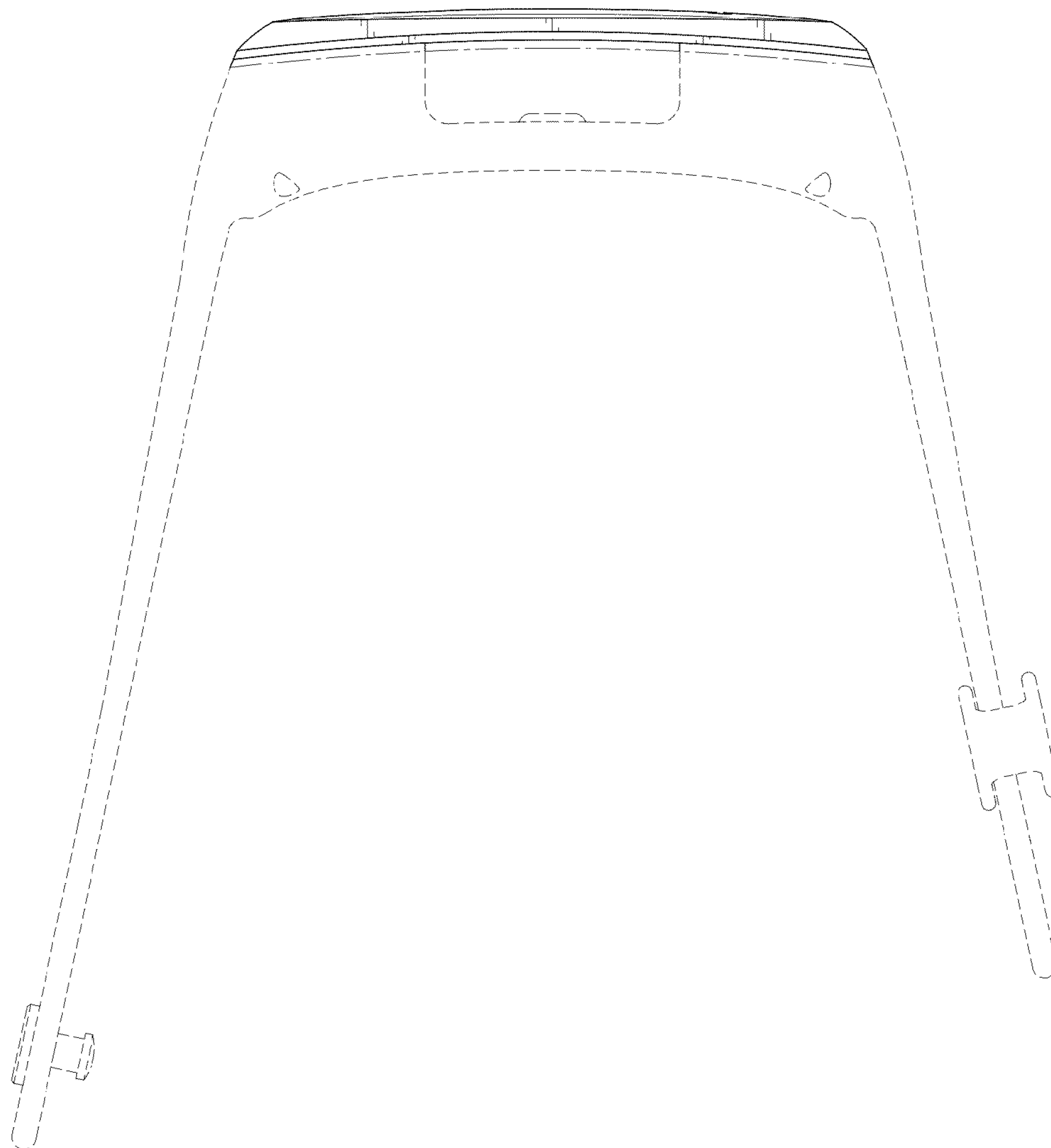


FIG. 6

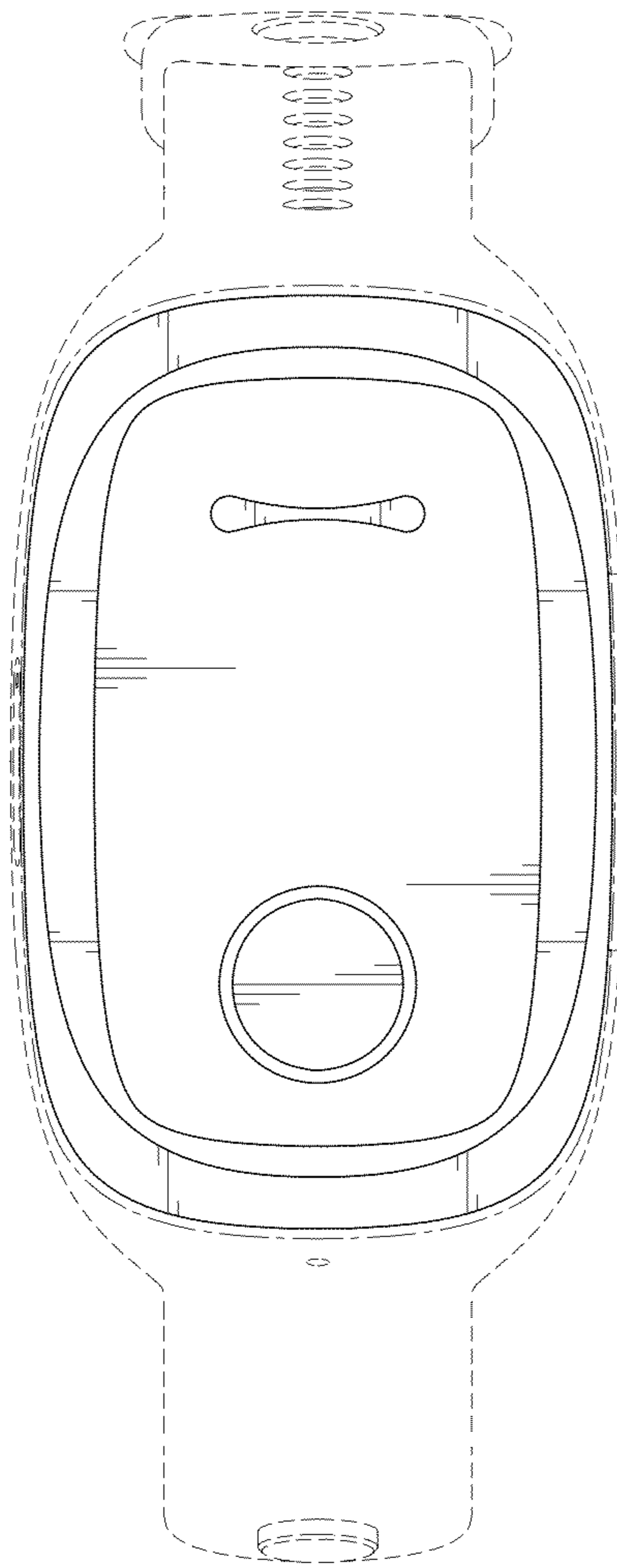


FIG. 7

