

US00D738877S

(12) **United States Design Patent**  
**Kim et al.**

(10) **Patent No.:** **US D738,877 S**  
(45) **Date of Patent:** **\*\* Sep. 15, 2015**

(54) **ELECTRONIC DEVICE**

(71) Applicant: **Samsung Electronics Co., Ltd.**,  
Suwon-si (KR)

(72) Inventors: **Hyun Jin Kim**, Seoul (KR); **Ji yeon Kwak**, Seoul (KR); **Joon Kyu Seo**, Seoul (KR)

(73) Assignee: **Samsung Electronics Co., Ltd.**,  
Suwon-si (KR)

(\*\*) Term: **14 Years**

(21) Appl. No.: **29/465,049**

(22) Filed: **Aug. 23, 2013**

(30) **Foreign Application Priority Data**

Feb. 23, 2013 (KR) ..... 30-2013-0009582

(51) **LOC (10) Cl.** ..... **14-02**

(52) **U.S. Cl.**  
USPC ..... **D14/344**

(58) **Field of Classification Search**  
USPC ..... D14/341, 342, 343, 344, 345, 346, 347,  
D14/420, 426, 427; D10/30, 31, 32, 37, 38,  
D10/39, 65; 368/281, 282, 294, 295, 296;  
455/100; 361/679.03; 379/433.1;  
D11/3

See application file for complete search history.

(56) **References Cited**

U.S. PATENT DOCUMENTS

1,427,891 A \* 9/1922 Ziegler ..... 40/633  
4,906,025 A \* 3/1990 Schreindl ..... 281/45

5,274,613 A \* 12/1993 Seager ..... 368/13  
6,799,887 B1 \* 10/2004 Kinney ..... 368/282  
D515,944 S \* 2/2006 Ohki ..... D10/32  
D520,565 S \* 5/2006 Gonzales ..... D19/89  
D549,221 S \* 8/2007 Yagi ..... D14/218  
D565,427 S \* 4/2008 Ellner et al. .... D10/31  
D633,399 S \* 3/2011 Zinder ..... D10/31  
D661,275 S \* 6/2012 Roka ..... D14/138 R  
D703,069 S \* 4/2014 Adams et al. .... D10/31  
D711,002 S \* 8/2014 Ohnemus et al. .... D24/186

\* cited by examiner

*Primary Examiner* — Barbara Fox

(74) *Attorney, Agent, or Firm* — NSIP Law

(57) **CLAIM**

The ornamental design for an electronic device, as shown and described.

**DESCRIPTION**

FIG. 1 is a front perspective view of an electronic device showing our new design;  
FIG. 2 is a front view thereof;  
FIG. 3 is a rear view thereof;  
FIG. 4 is a left-side view thereof;  
FIG. 5 is a right-side view thereof;  
FIG. 6 is a top view thereof;  
FIG. 7 is a bottom view thereof;  
FIG. 8 is a perspective view of the electronic device of FIG. 1 shown in an open position;  
FIG. 9 is another perspective view thereof; and,  
FIG. 10 is another perspective view thereof.  
The broken lines indicate portions of the electronic device that form no part of the claimed design.

**1 Claim, 10 Drawing Sheets**

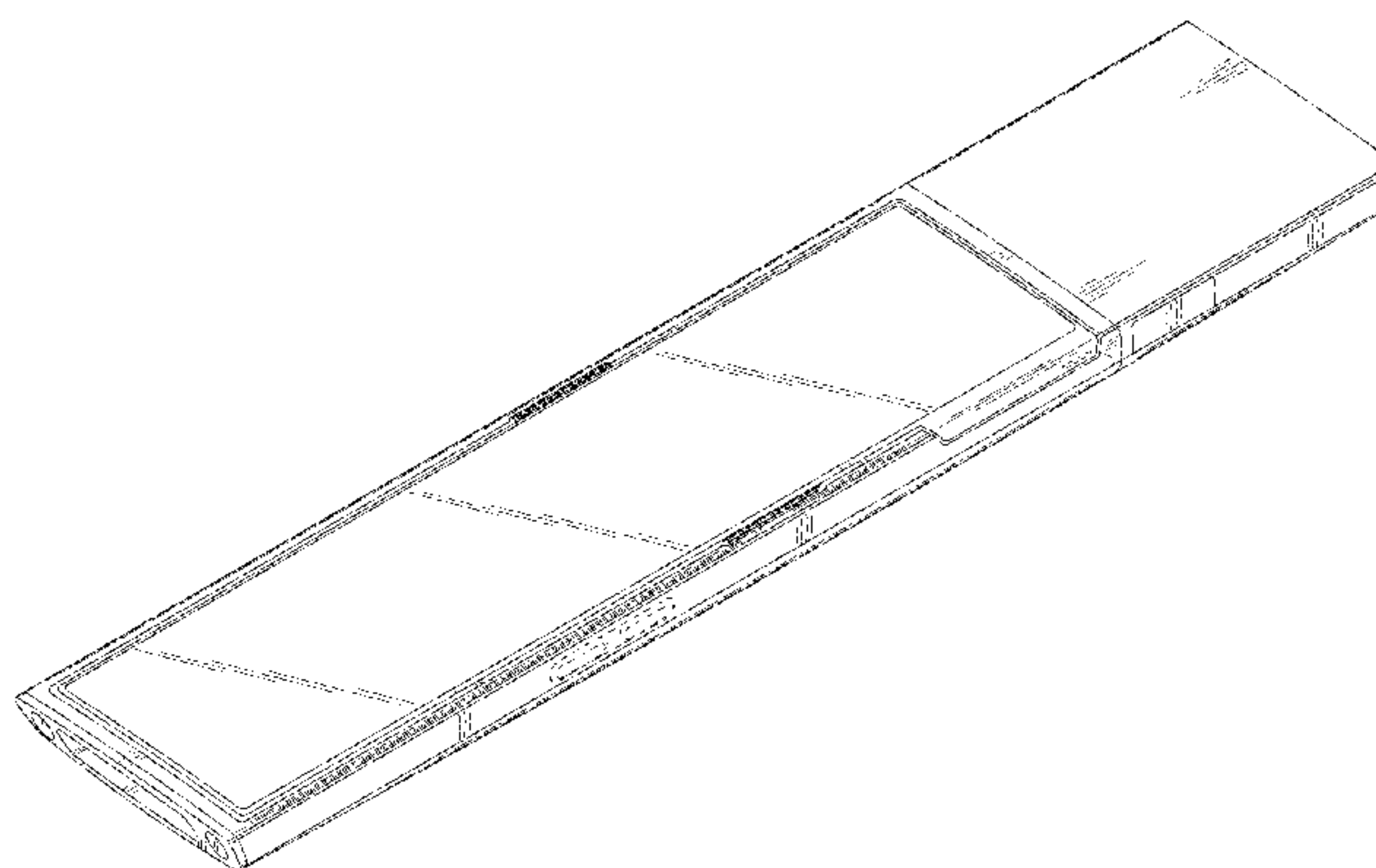
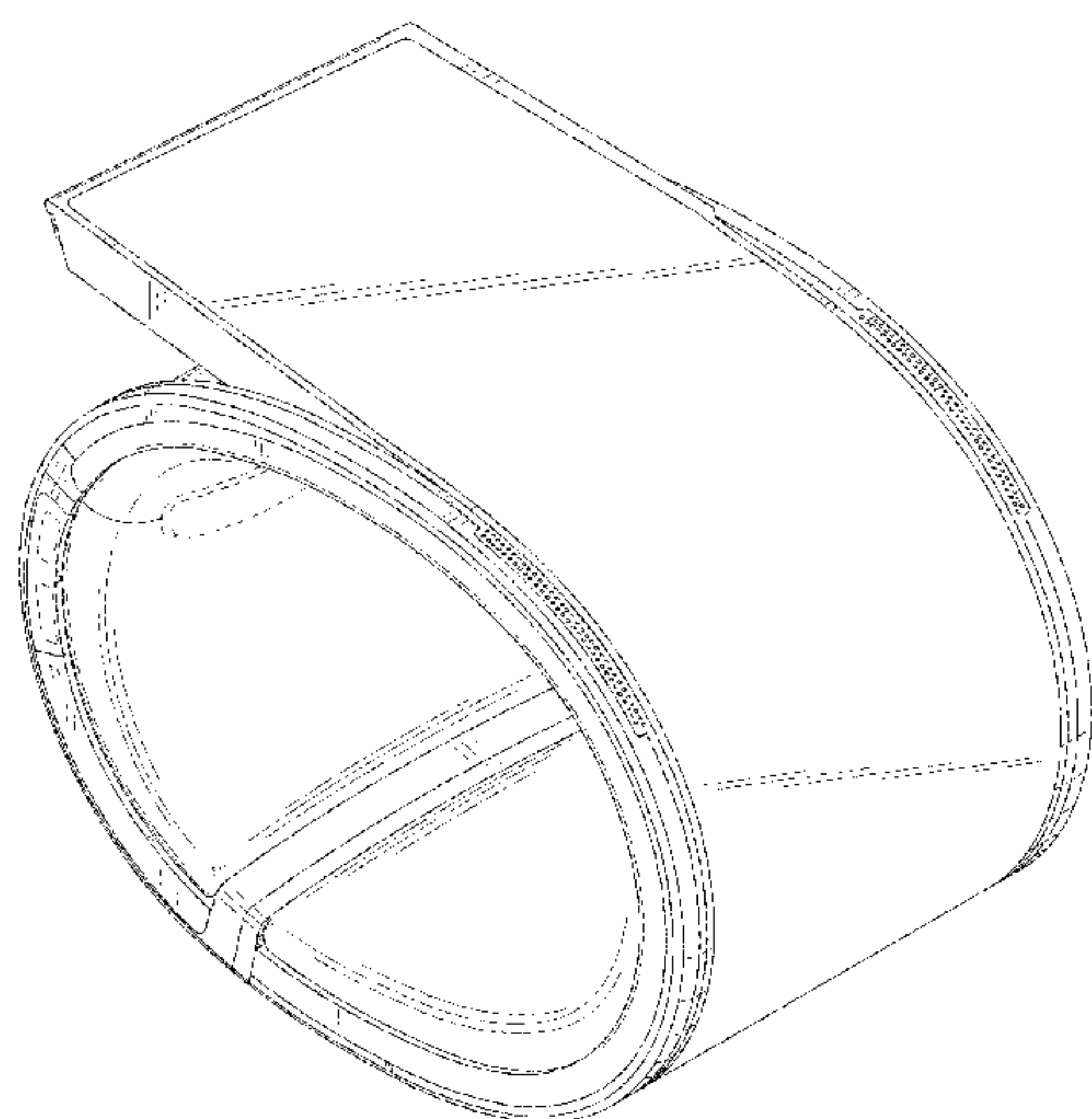


FIG. 1

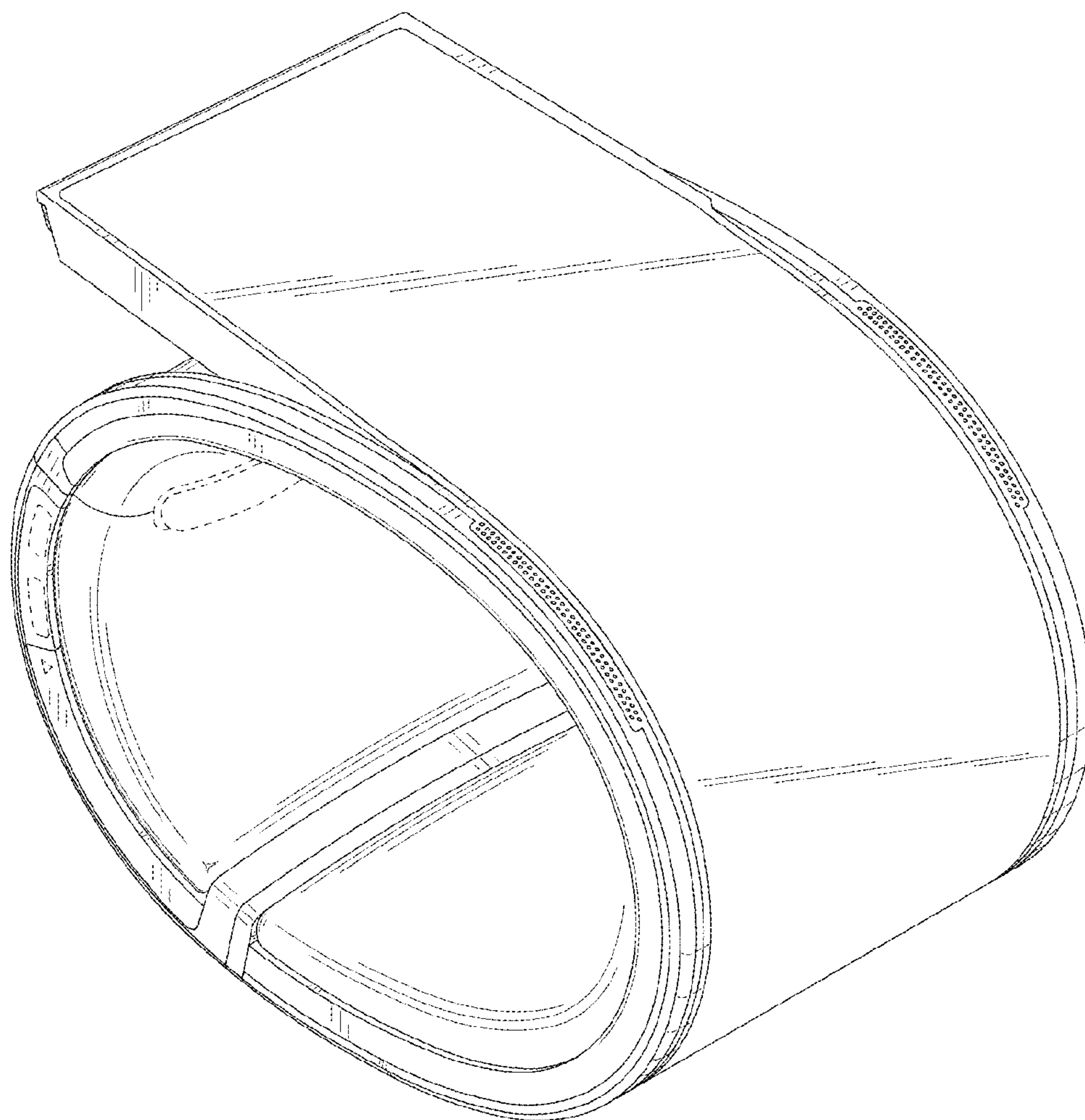


FIG. 2

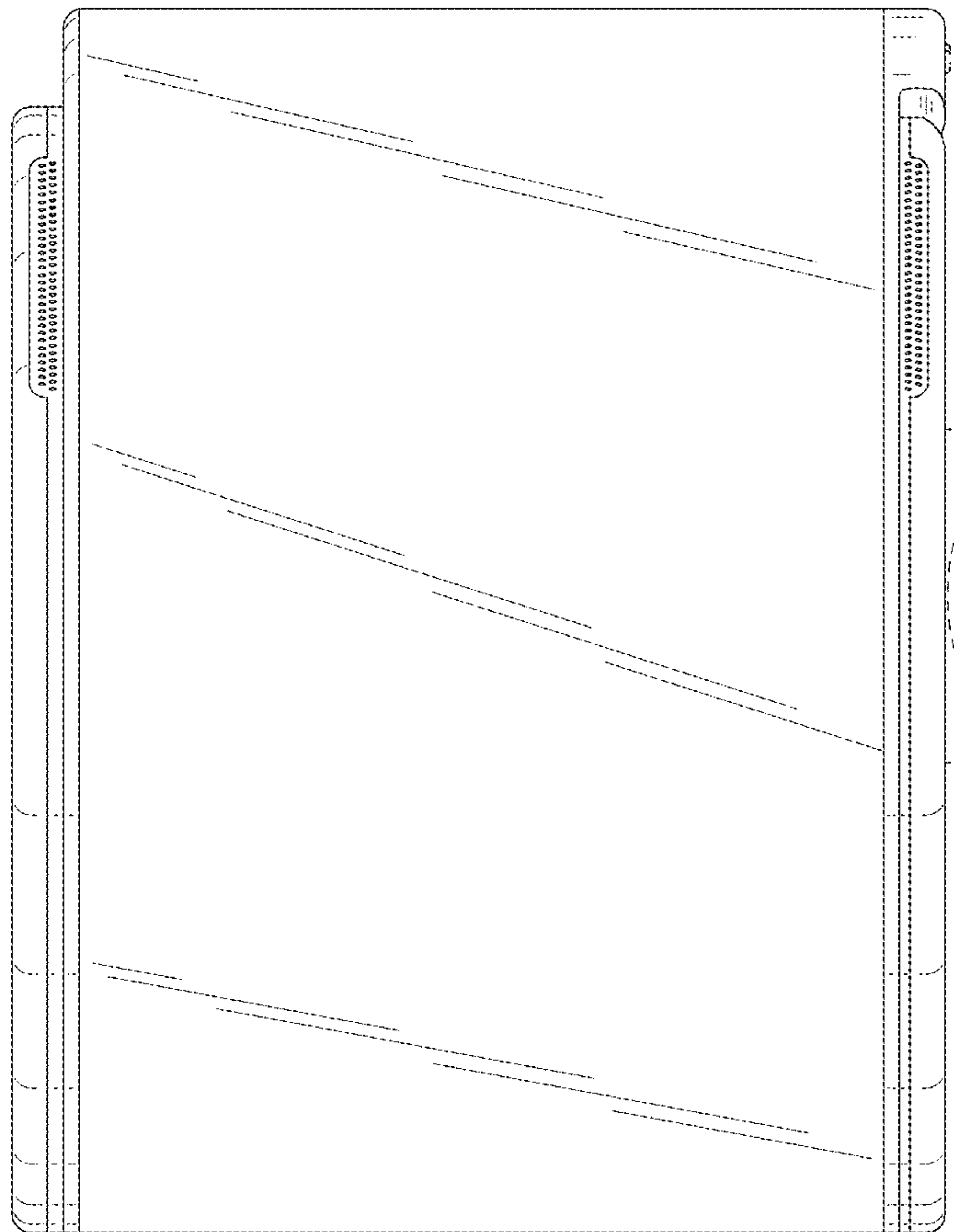


FIG. 3

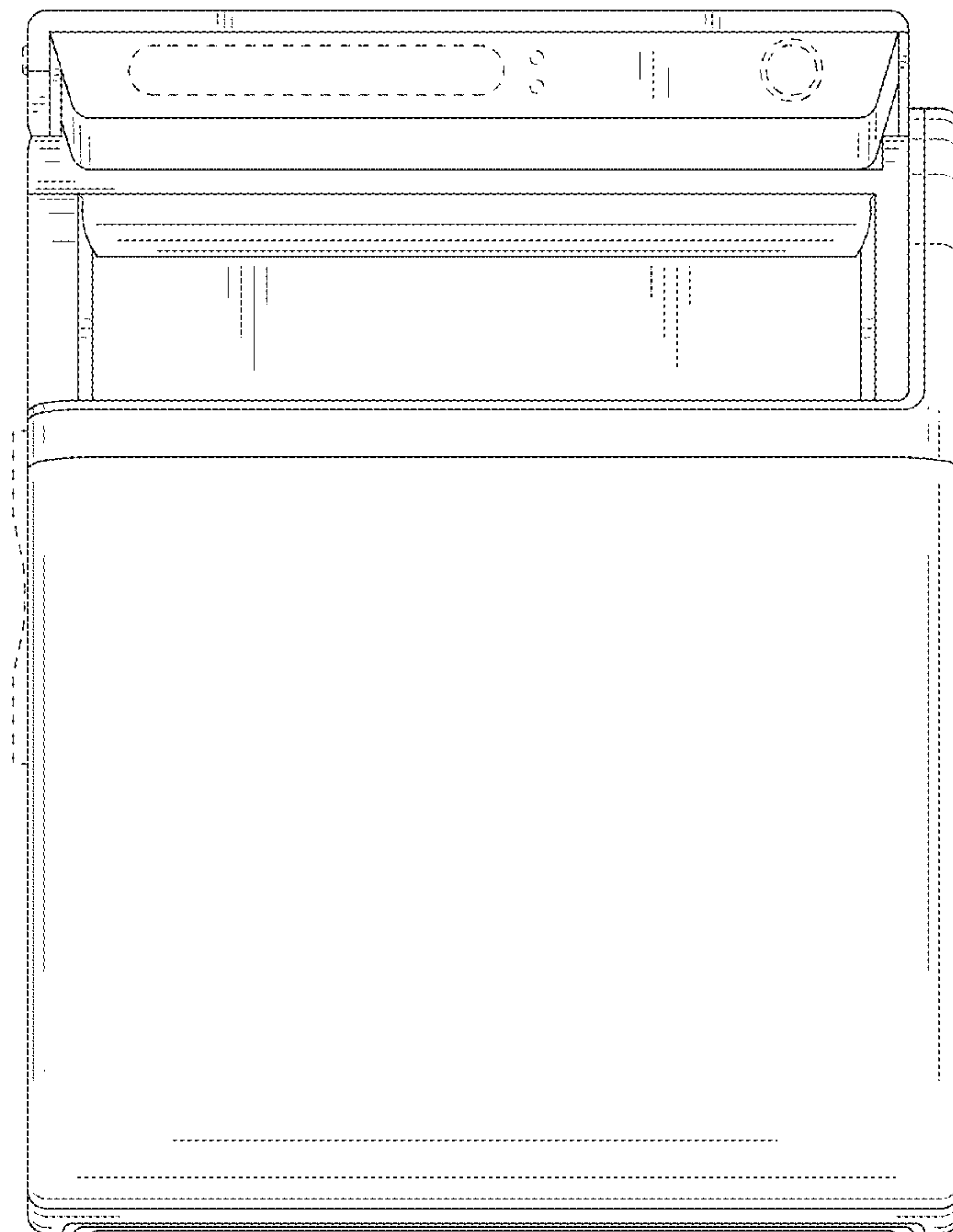


FIG. 4

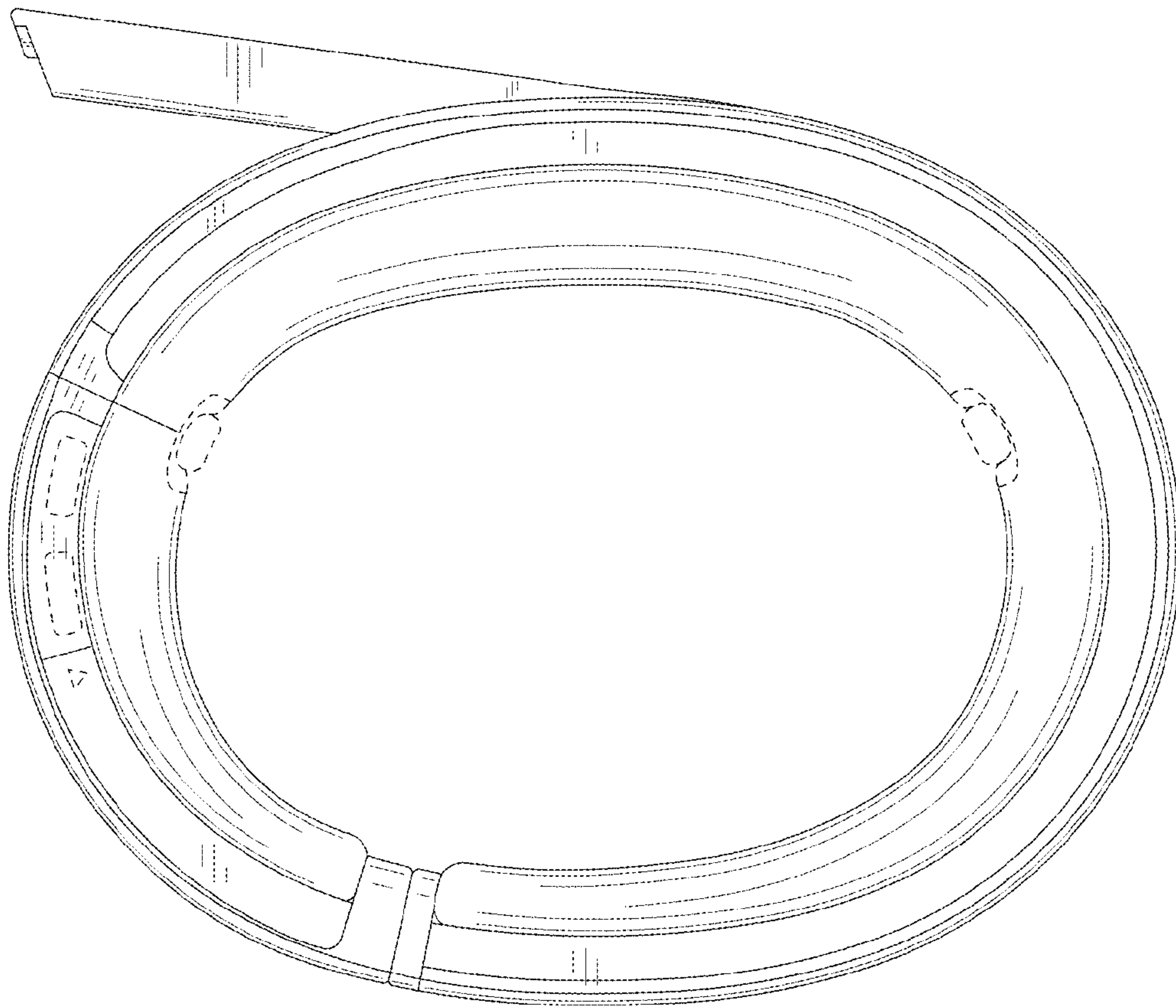




FIG. 5

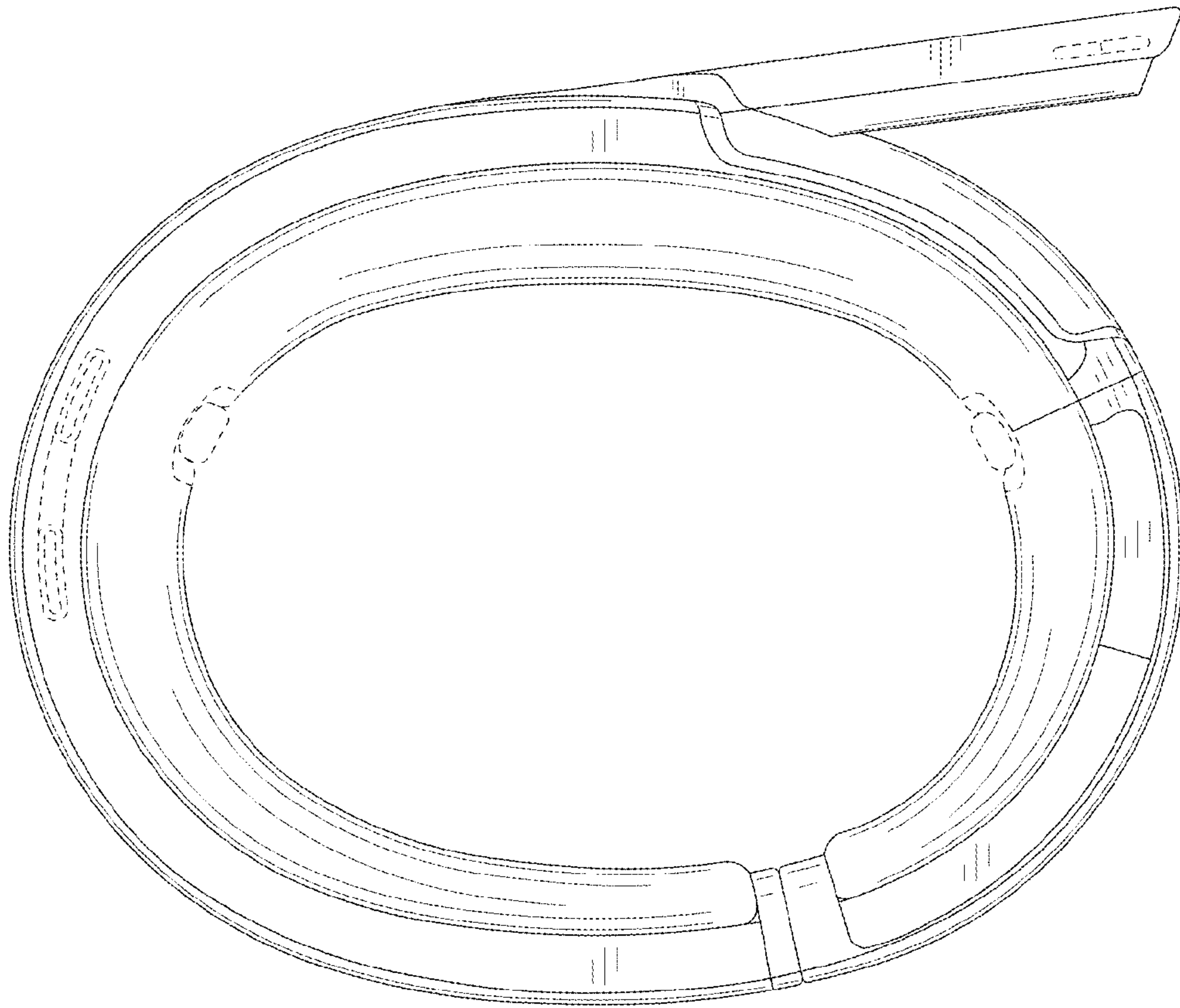


FIG. 6

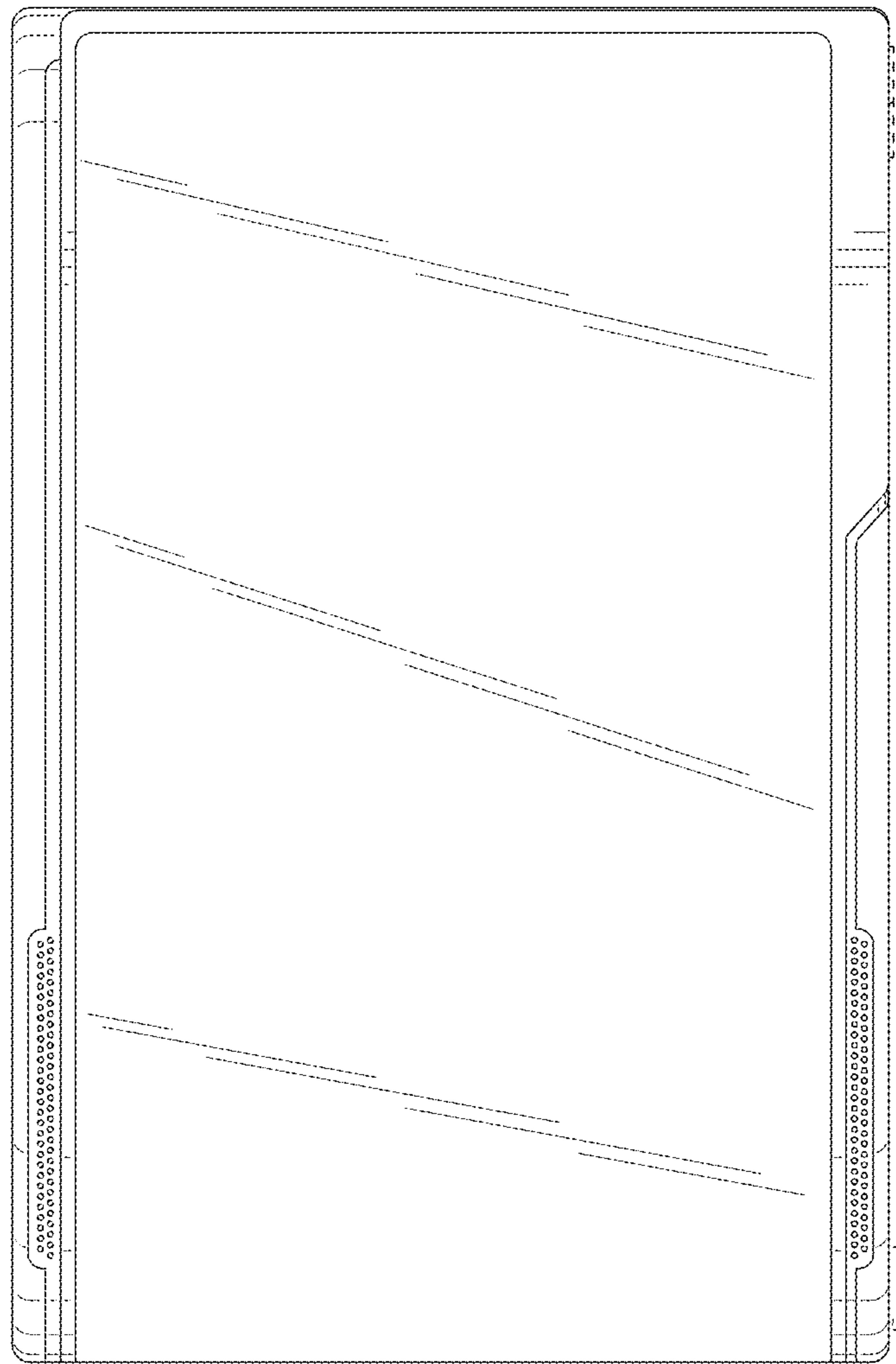


FIG. 7

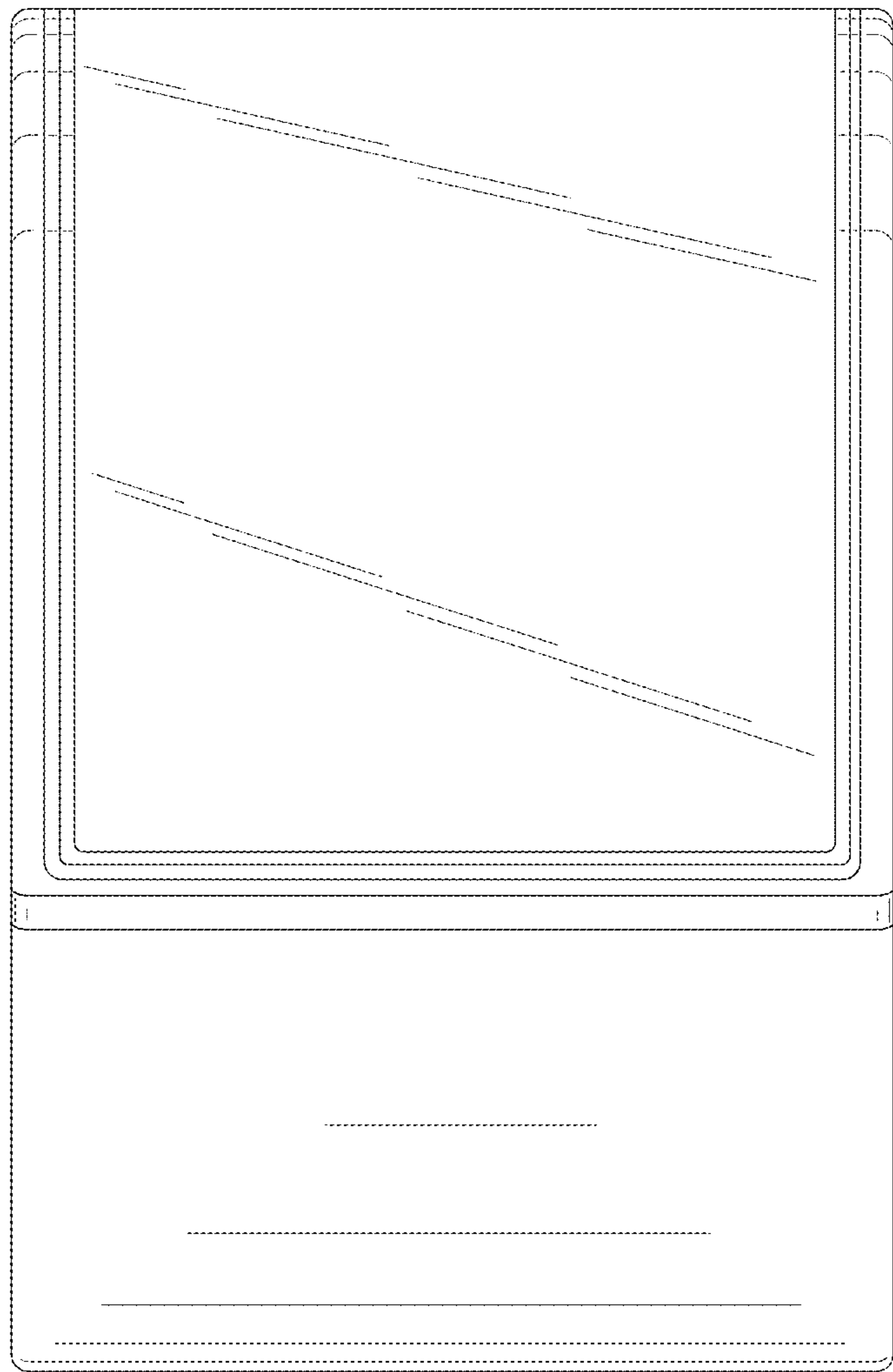




FIG. 8

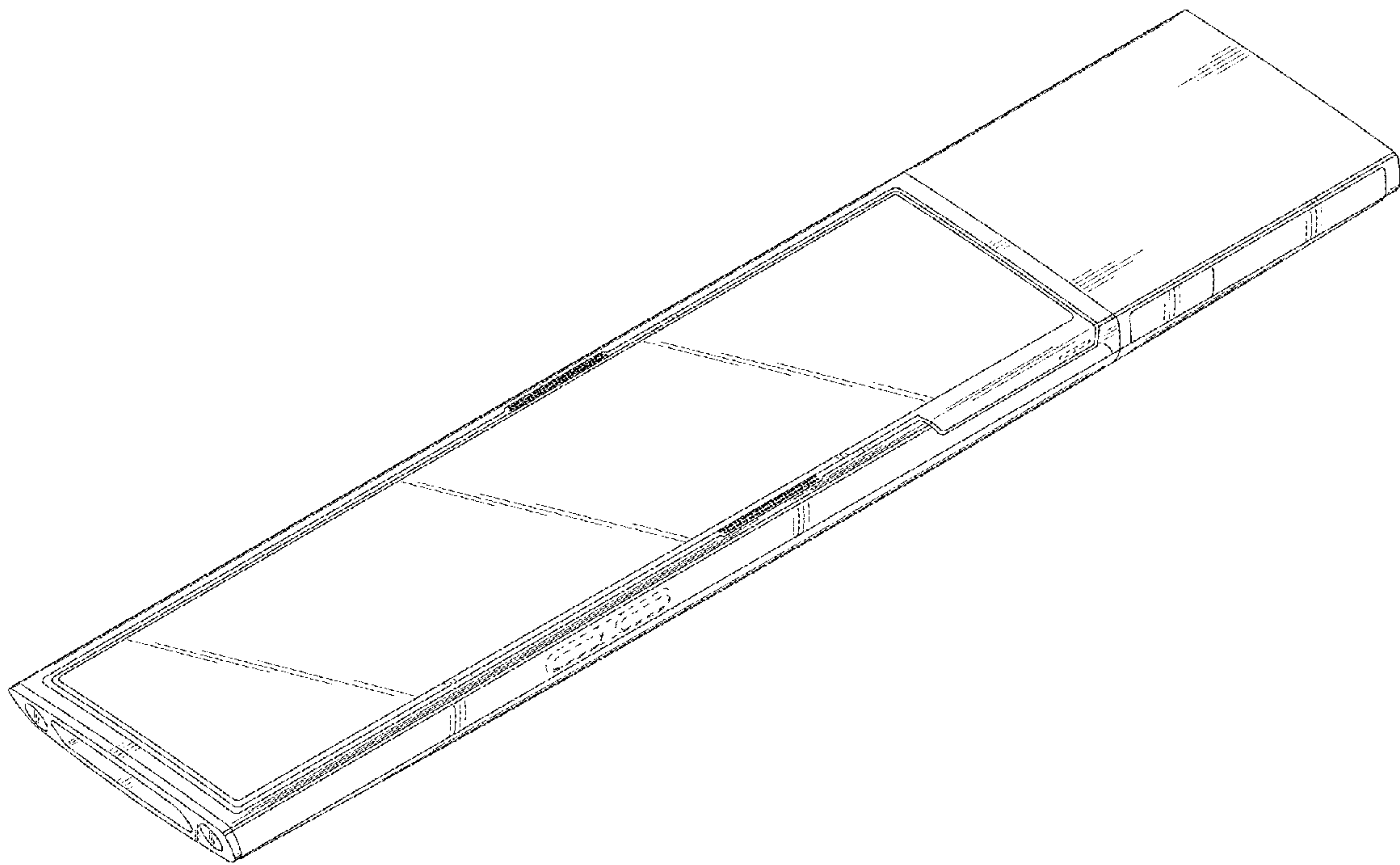


FIG. 9

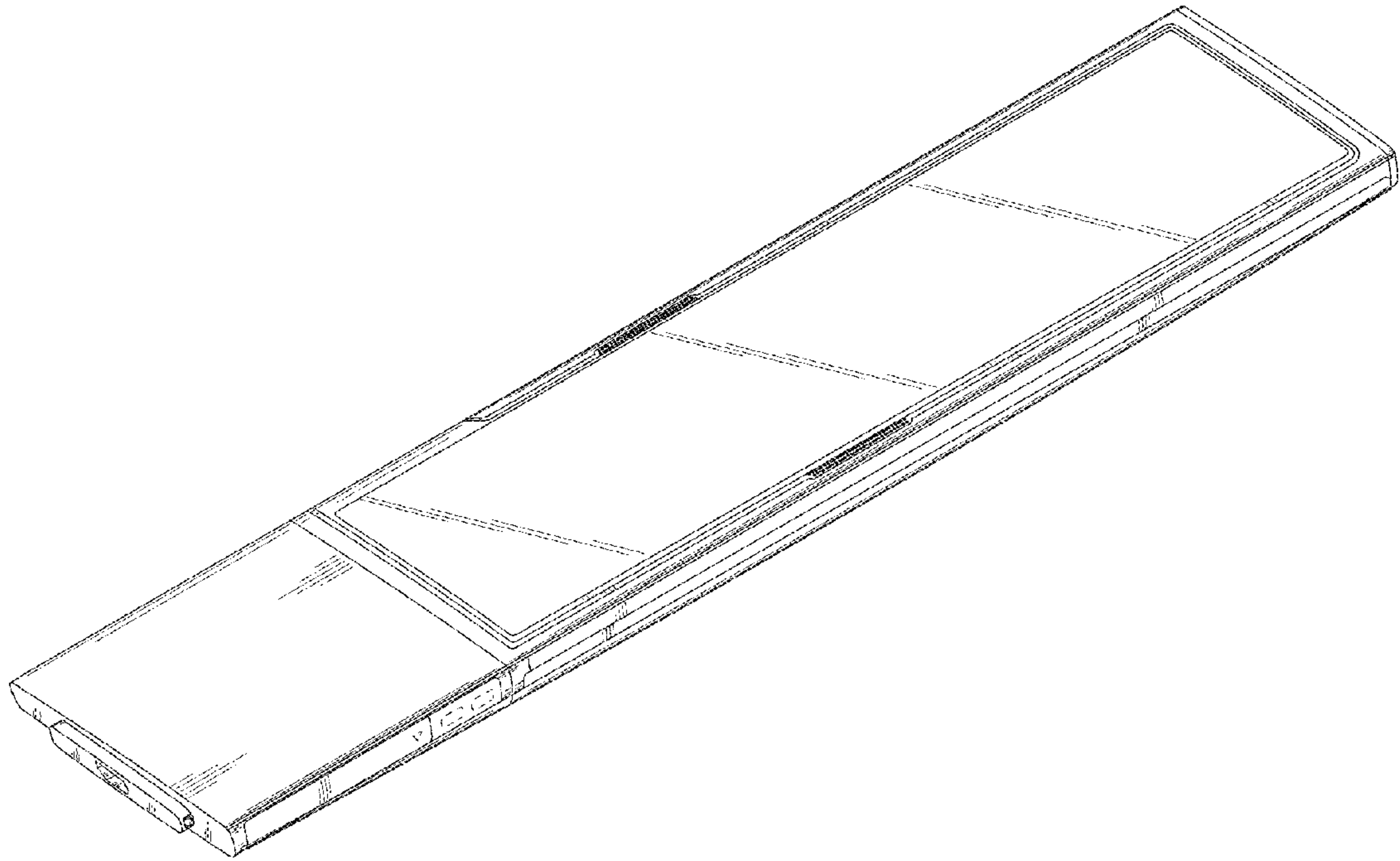


FIG. 10

