



US00D738876S

(12) **United States Design Patent**  
**Hwang et al.**

(10) **Patent No.:** **US D738,876 S**

(45) **Date of Patent:** **\*\* \*Sep. 15, 2015**

- (54) **PORTABLE ELECTRONIC DEVICE BEZEL**
- (71) Applicants: **Sung-Gul Hwang**, Seoul (KR); **Thomas Jung**, San Diego, CA (US); **Jin H Lee**, San Diego, CA (US); **Taylor Matthews**, San Diego, CA (US)
- (72) Inventors: **Sung-Gul Hwang**, Seoul (KR); **Thomas Jung**, San Diego, CA (US); **Jin H Lee**, San Diego, CA (US); **Taylor Matthews**, San Diego, CA (US)
- (73) Assignee: **Green Edge Technologies, Inc.**, Poway, CA (US)
- (\*) Notice: This patent is subject to a terminal disclaimer.
- (\*\*) Term: **14 Years**

- (21) Appl. No.: **29/482,441**
- (22) Filed: **Feb. 18, 2014**
- (51) **LOC (10) Cl.** ..... **14-02**
- (52) **U.S. Cl.**  
USPC ..... **D14/341**
- (58) **Field of Classification Search**  
USPC ..... D14/341-347, 137, 138 R, 138 AA, D14/138 C, 138 G, 496, 203.1, 203.3, 203.4, D14/203.7, 129, 130, 147, 218, 247, 248, D14/388, 389, 315-318, 420, 426; D10/49-50, 65, 104.1; D18/6, 7; D21/324, 329, 330, 332; 455/556.1, 455/556.2, 566, 575.1, 90.3; 379/433.04, 379/433.01, 433.06, 916; 345/173, 901, 345/905; 361/679.26, 679.27, 679.3, 361/679.55, 679.56; D6/308, 310; D19/26, D19/59-60

See application file for complete search history.

(56) **References Cited**

**U.S. PATENT DOCUMENTS**

5,347,295 A \* 9/1994 Agulnick et al. .... 345/156

- 5,657,459 A \* 8/1997 Yanagisawa et al. .... 361/679.21
- D413,922 S \* 9/1999 Thomas ..... D19/26
- D448,764 S \* 10/2001 Marsalka et al. .... D14/345
- D510,596 S \* 10/2005 Ong ..... D19/26
- D534,182 S \* 12/2006 Leija et al. .... D14/496
- D561,619 S \* 2/2008 Miyawaki et al. .... D10/65
- D563,245 S \* 3/2008 Deboves et al. .... D10/65
- D584,726 S \* 1/2009 Morita ..... D14/341
- D585,398 S \* 1/2009 Hwang ..... D14/130
- D586,851 S \* 2/2009 Lapsker ..... D19/26
- D595,163 S \* 6/2009 Kim et al. .... D10/65
- D600,242 S \* 9/2009 Yeh et al. .... D14/341
- D626,019 S \* 10/2010 Kao ..... D10/65
- D628,374 S \* 12/2010 Lee et al. .... D3/201
- D629,798 S \* 12/2010 Arie et al. .... D14/341
- D649,966 S \* 12/2011 Chiu ..... D14/341
- D656,497 S \* 3/2012 Chiu ..... D14/341
- D662,480 S \* 6/2012 Daniel ..... D14/125
- D669,480 S \* 10/2012 Piedra et al. .... D14/440
- D680,529 S \* 4/2013 Reeves et al. .... D14/341
- D689,054 S \* 9/2013 Snyder ..... D14/440
- D695,410 S \* 12/2013 Becker ..... D24/186

\* cited by examiner

*Primary Examiner* — Barbara Fox

*Assistant Examiner* — Dana Weiland

(74) *Attorney, Agent, or Firm* — Jane H. Bu

(57) **CLAIM**

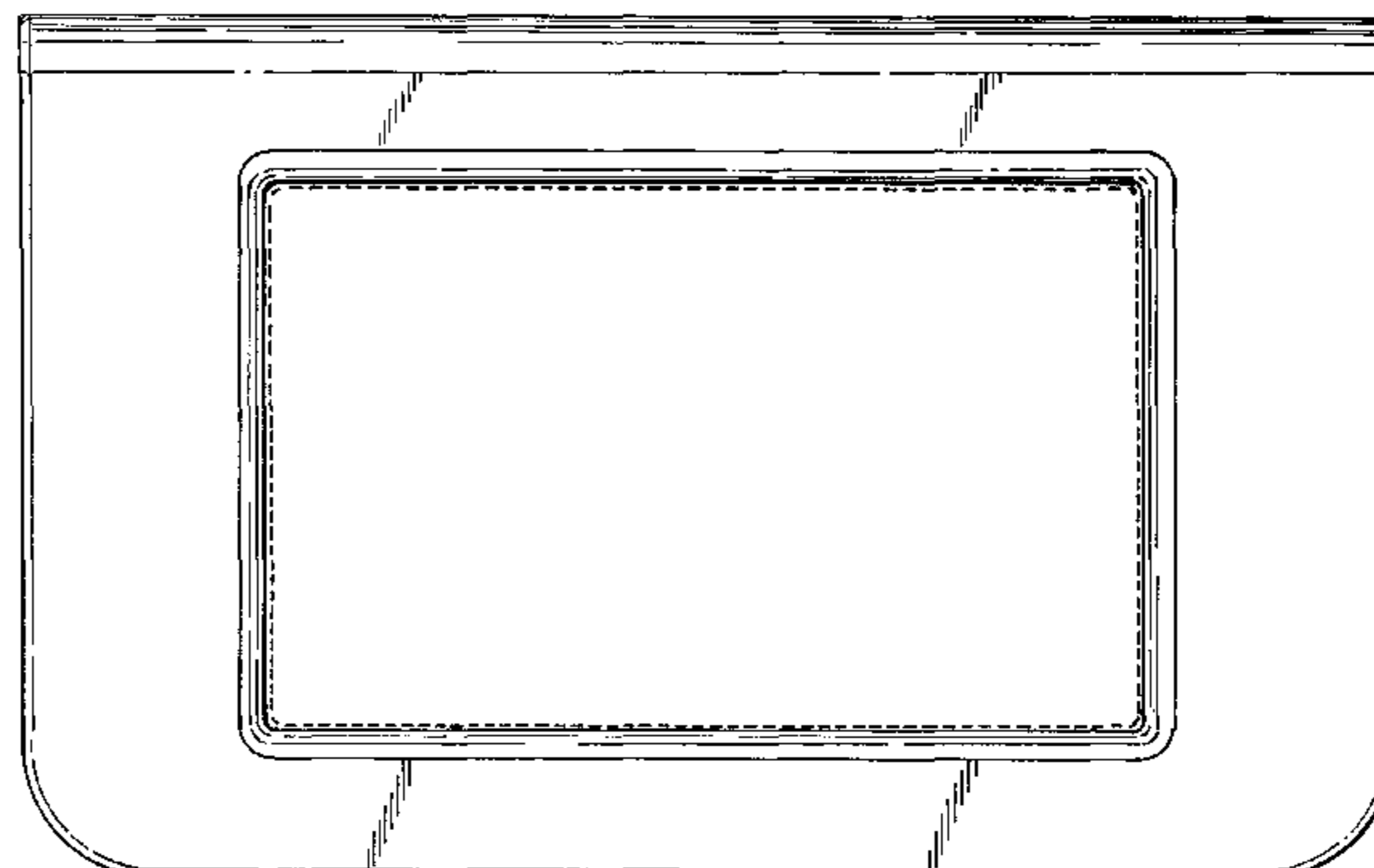
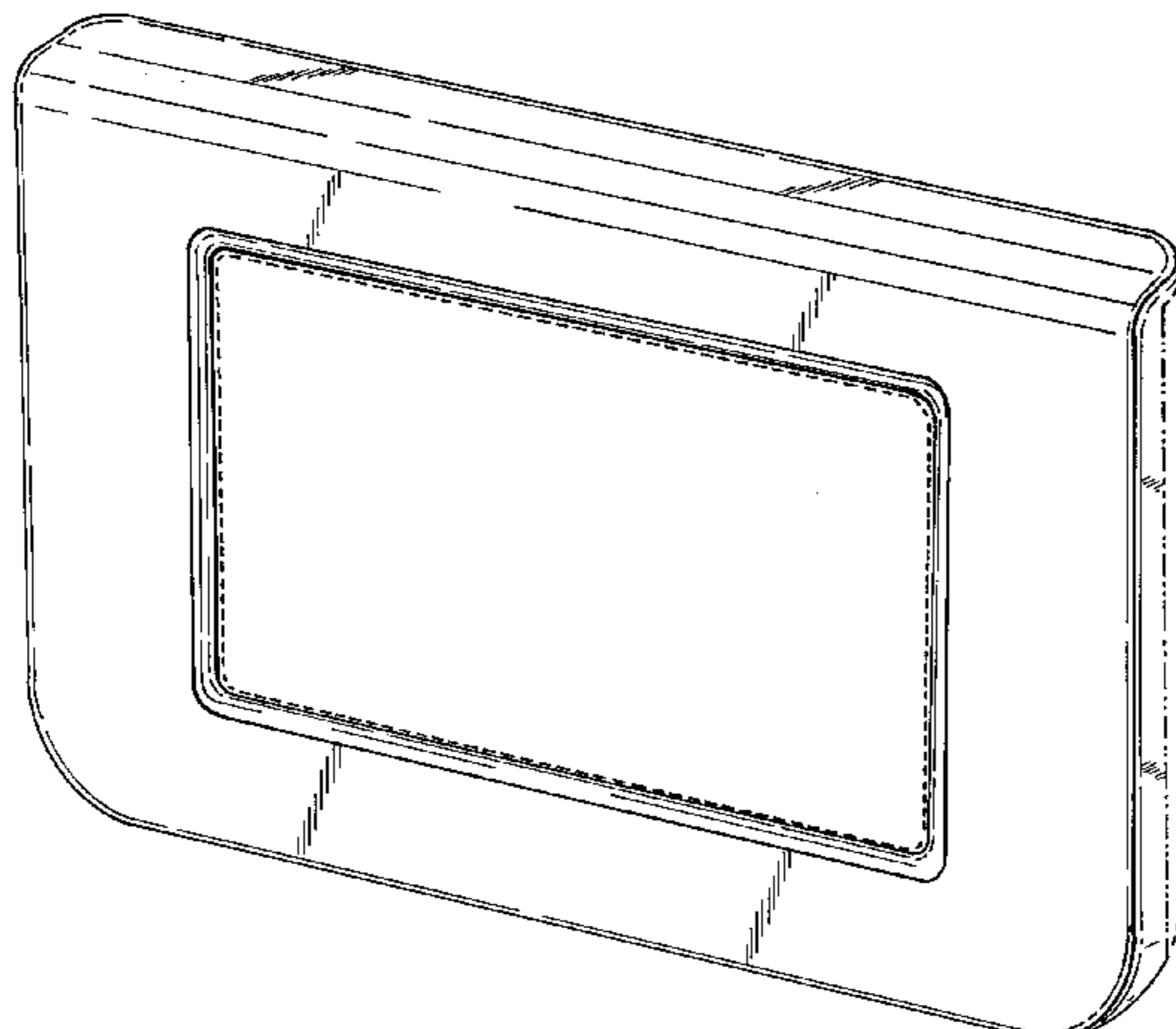
The ornamental design for a portable electronic device bezel, as shown and described.

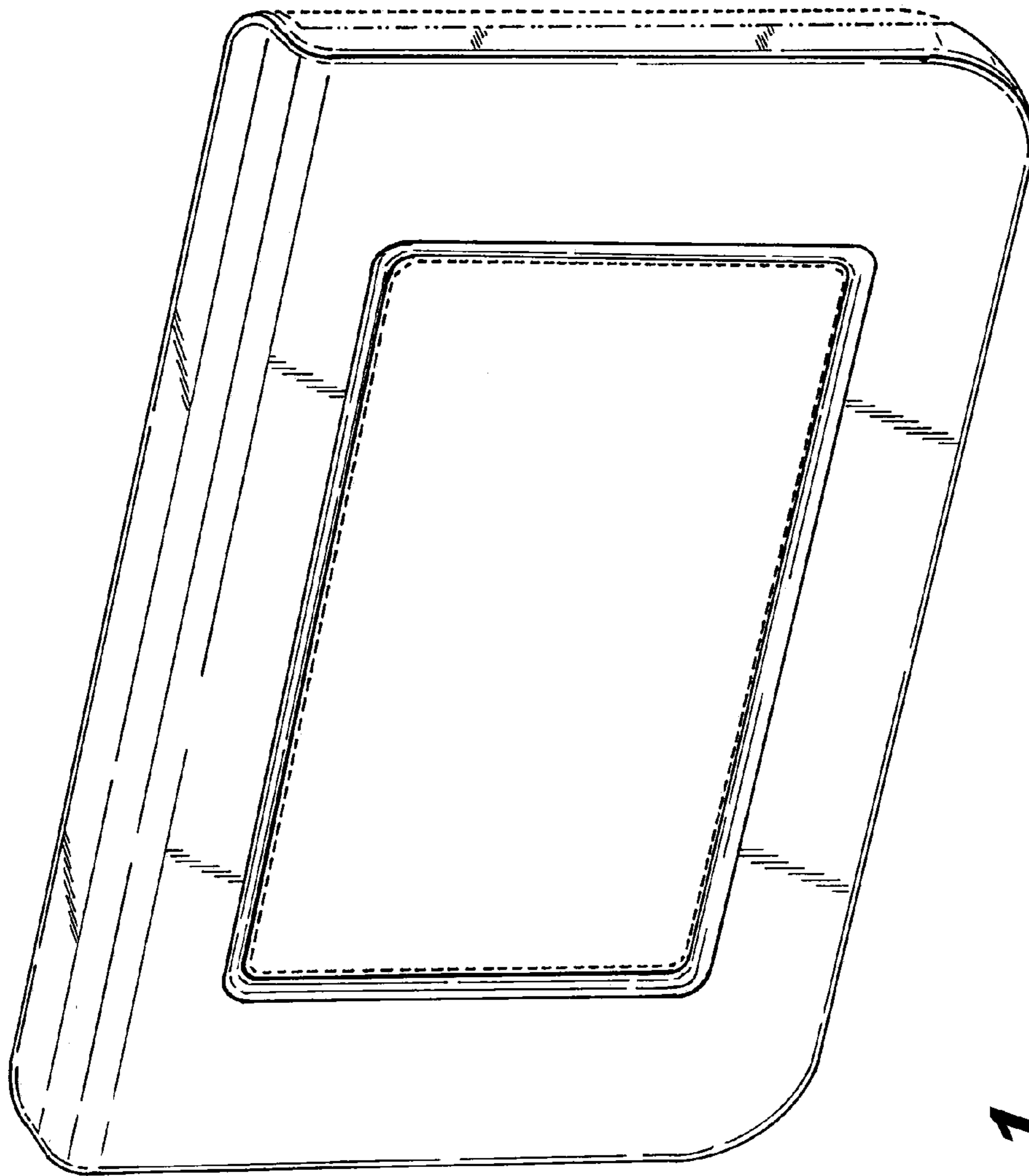
**DESCRIPTION**

FIG. 1 is a front and right side perspective view showing our new design for the portable electronic device bezel.  
 FIG. 2 is a front view thereof.  
 FIG. 3 is a top view thereof.  
 FIG. 4 is a bottom view thereof.  
 FIG. 5 is a rear view thereof.  
 FIG. 6 is a left side view thereof; and,  
 FIG. 7 is a right side view thereof, being the mirror image of FIG. 6.

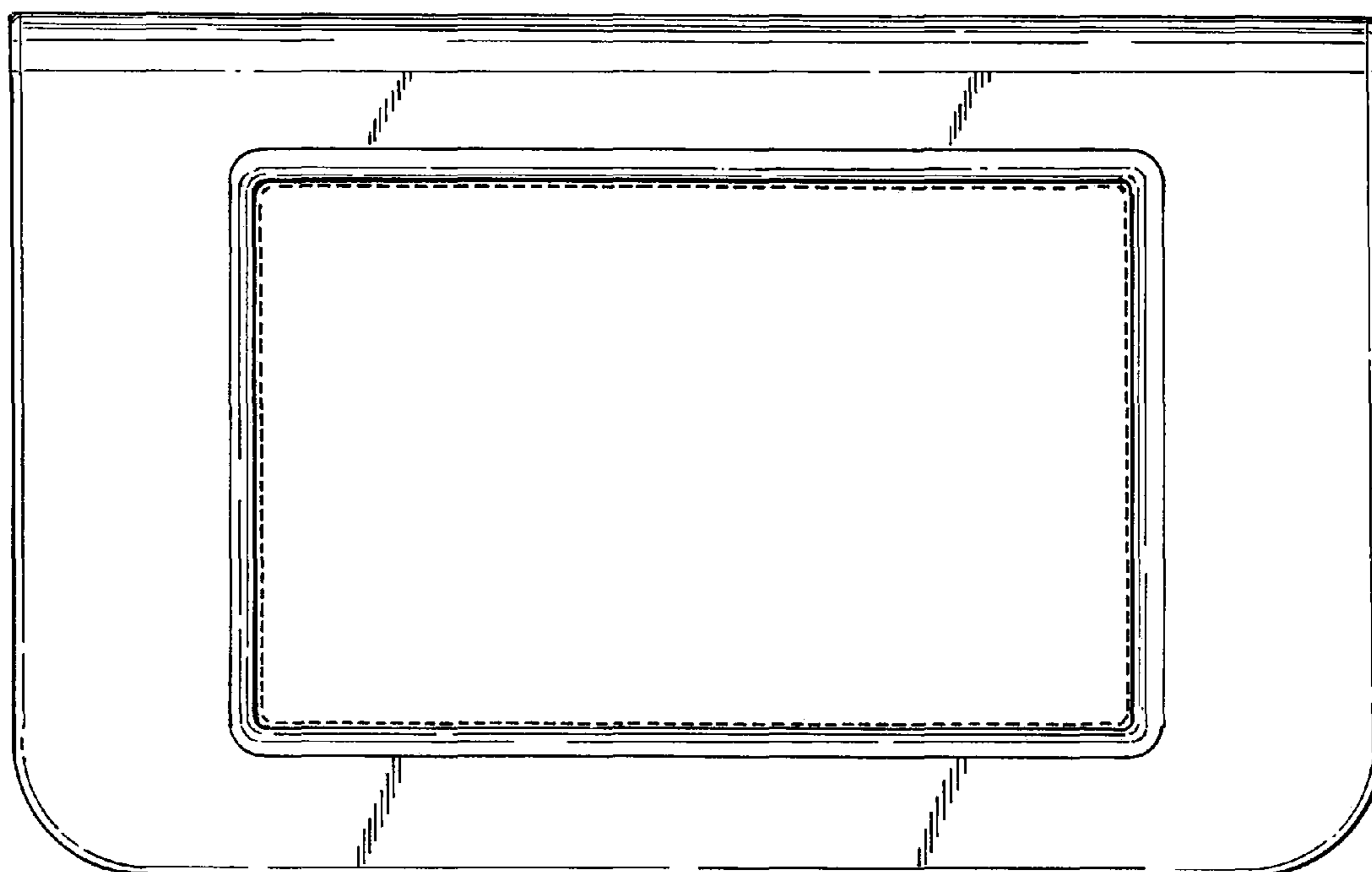
The broken lines outlining the bezel represent the boundaries of the claimed design, while the broken lines are included for the purpose of illustrating environmental structure and portions of the bezel, they form no part of the claimed design.

**1 Claim, 3 Drawing Sheets**

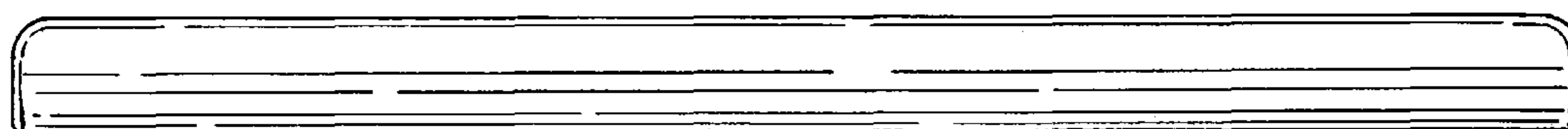




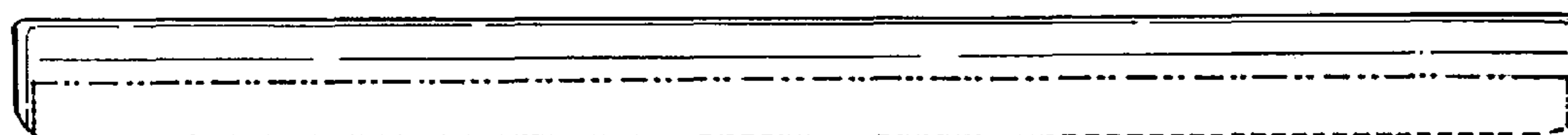
**Fig. 1**



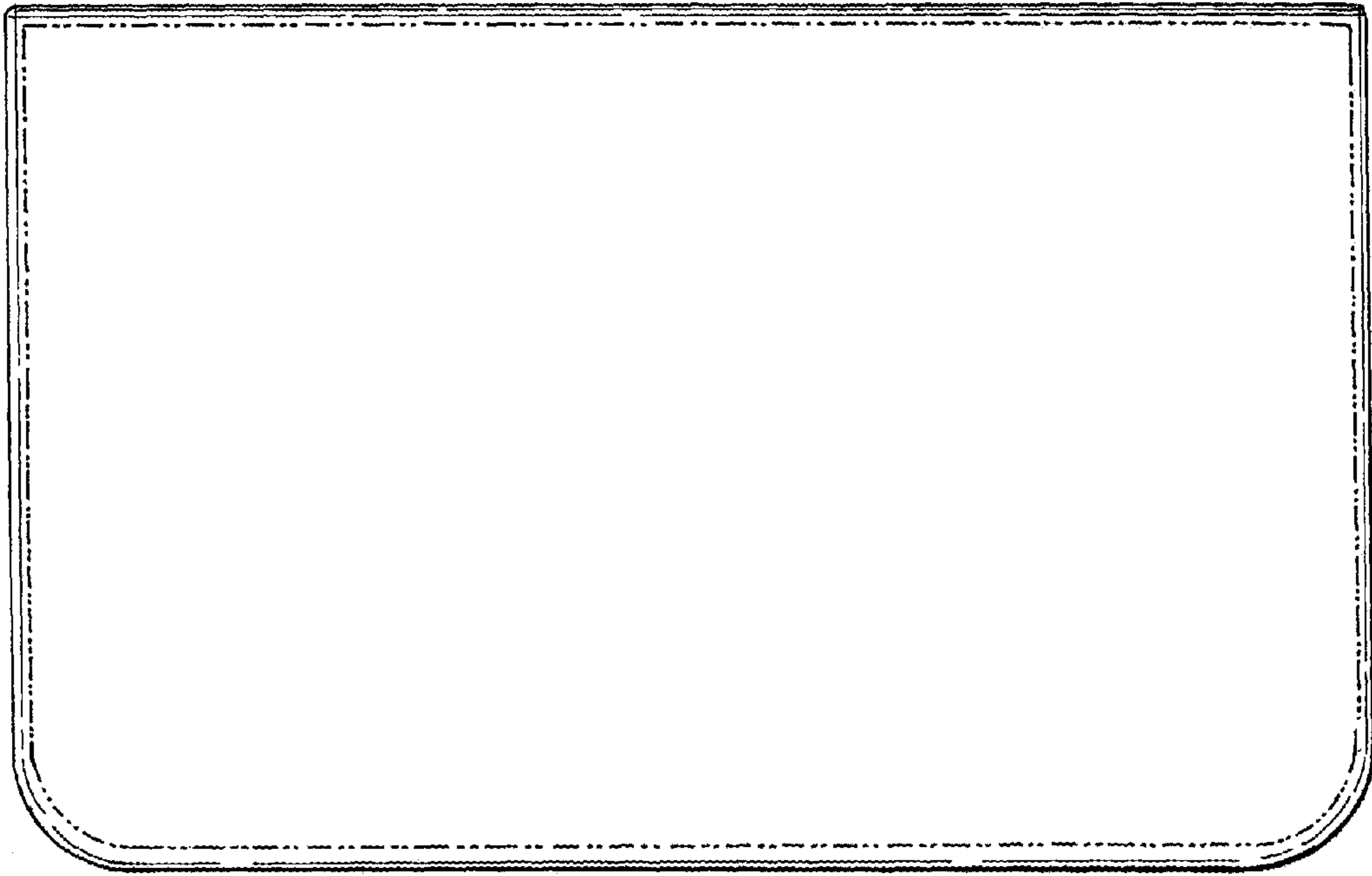
**Fig. 2**



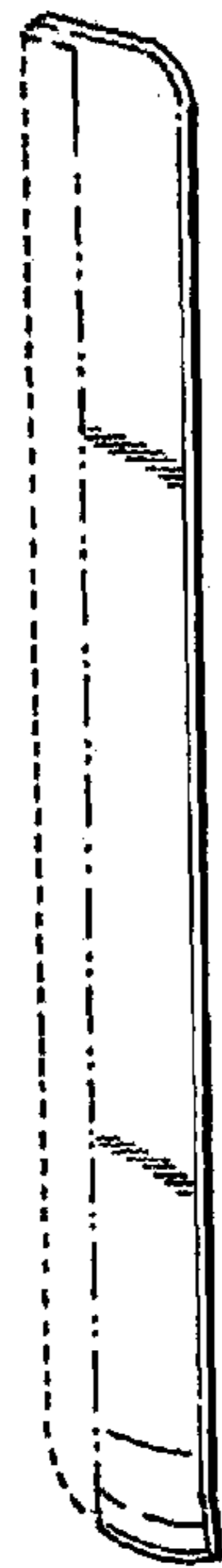
**Fig. 3**



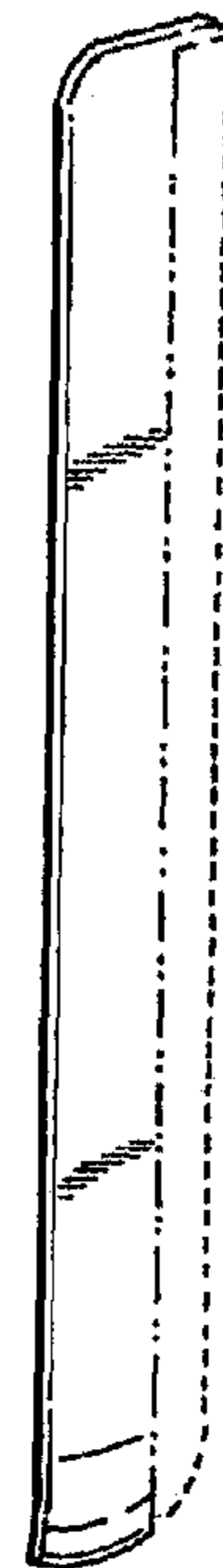
**Fig. 4**



**Fig. 5**



**Fig. 6**



**Fig. 7**