



US00D738873S

(12) **United States Design Patent**
Kim et al.

(10) **Patent No.:** **US D738,873 S**
(45) **Date of Patent:** **** Sep. 15, 2015**

(54) **HOLDER FOR SMART PHONE OR THE LIKE**

(71) Applicant: **NINE BRIDGE, INC.**, Anyang-si,
Gyeonggi-do (KR)

(72) Inventors: **Sang Yul Kim**, Anyang-si (KR); **Soo Jong Kim**, Anyang-si (KR)

(73) Assignee: **NINE BRIDGE, INC.**, Anyang-si,
Gyeonggi-do (KR)

(**) Term: **14 Years**

(21) Appl. No.: **29/490,721**

(22) Filed: **May 13, 2014**

(51) **LOC (10) Cl.** **14-03**

(52) **U.S. Cl.**
USPC **D14/253**

(58) **Field of Classification Search**
USPC D14/251–253, 434, 451, 452, 140, 142,
D14/149, 217, 240; D21/313; D13/107,
D13/108; D10/23; D8/71, 72, 74, 349, 373;
D6/302, 303, 306, 310, 312;
455/575.1; D19/88; D16/242, 245;
D3/218; D12/415

CPC H04M 1/00; H04M 1/04; H04M 1/06;
H04M 1/11; F16M 11/04; F16M 11/041;
B60R 11/02; B60R 11/0241; B60R 11/0258;
B60R 11/0252

See application file for complete search history.

(56) **References Cited**

U.S. PATENT DOCUMENTS

6,256,387	B1 *	7/2001	Wang	379/446
6,687,513	B1 *	2/2004	Hsu Li	455/557
D603,322	S *	11/2009	Nicieja	D12/415
D626,953	S *	11/2010	Wilson	D14/252
D705,211	S *	5/2014	Huang	D14/253
D709,066	S *	7/2014	Byun	D14/253
D713,398	S *	9/2014	Alesi et al.	D14/253
D713,837	S *	9/2014	Chul Kim	D14/253
D715,790	S *	10/2014	Conomos et al.	D14/253
D718,298	S *	11/2014	Aspinall et al.	D14/253
D727,333	S *	4/2015	Shih et al.	D14/447

D732,037	S *	6/2015	Wylie	D14/434
D733,115	S *	6/2015	Aspinall et al.	D14/253
D733,116	S *	6/2015	Aspinall et al.	D14/253
2002/0159587	A1 *	10/2002	Chang	379/454
2005/0236536	A1 *	10/2005	Fan	248/176.3
2006/0278788	A1 *	12/2006	Fan	248/309.1
2010/0069130	A1 *	3/2010	Wang et al.	455/575.9
2014/0145051	A1 *	5/2014	Gwag	248/298.1
2014/0176062	A1 *	6/2014	Jung	320/108

OTHER PUBLICATIONS

Dash Crab Duet Review. prologue.blog.naver.com (online) 17 pgs.
Uploaded: Jan. 9, 2014 [retrieved on Jul. 17, 2015]. Retrieved from
Internet: <<http://prologue.blog.naver.com/PostView.nhn?blogId=dicagallery&logNo=140204813058&parentCategoryNo=359&categoryNo=&viewDate=&isShowPopularPosts=false&from=postView>>.*

* cited by examiner

Primary Examiner — Susan Bennett Hattan

Assistant Examiner — Marie Fast Horse

(74) *Attorney, Agent, or Firm* — Novick, Kim & Lee, PLLC;
Sang Ho Lee

(57) **CLAIM**

The ornamental design for a holder for smart phone or the like, as shown and described.

DESCRIPTION

FIG. 1 is a perspective view of a holder for smart phone or the like;

FIG. 2 is a left elevational side view thereof;

FIG. 3 is a right elevational side view thereof;

FIG. 4 is a front view thereof;

FIG. 5 is a rear view thereof;

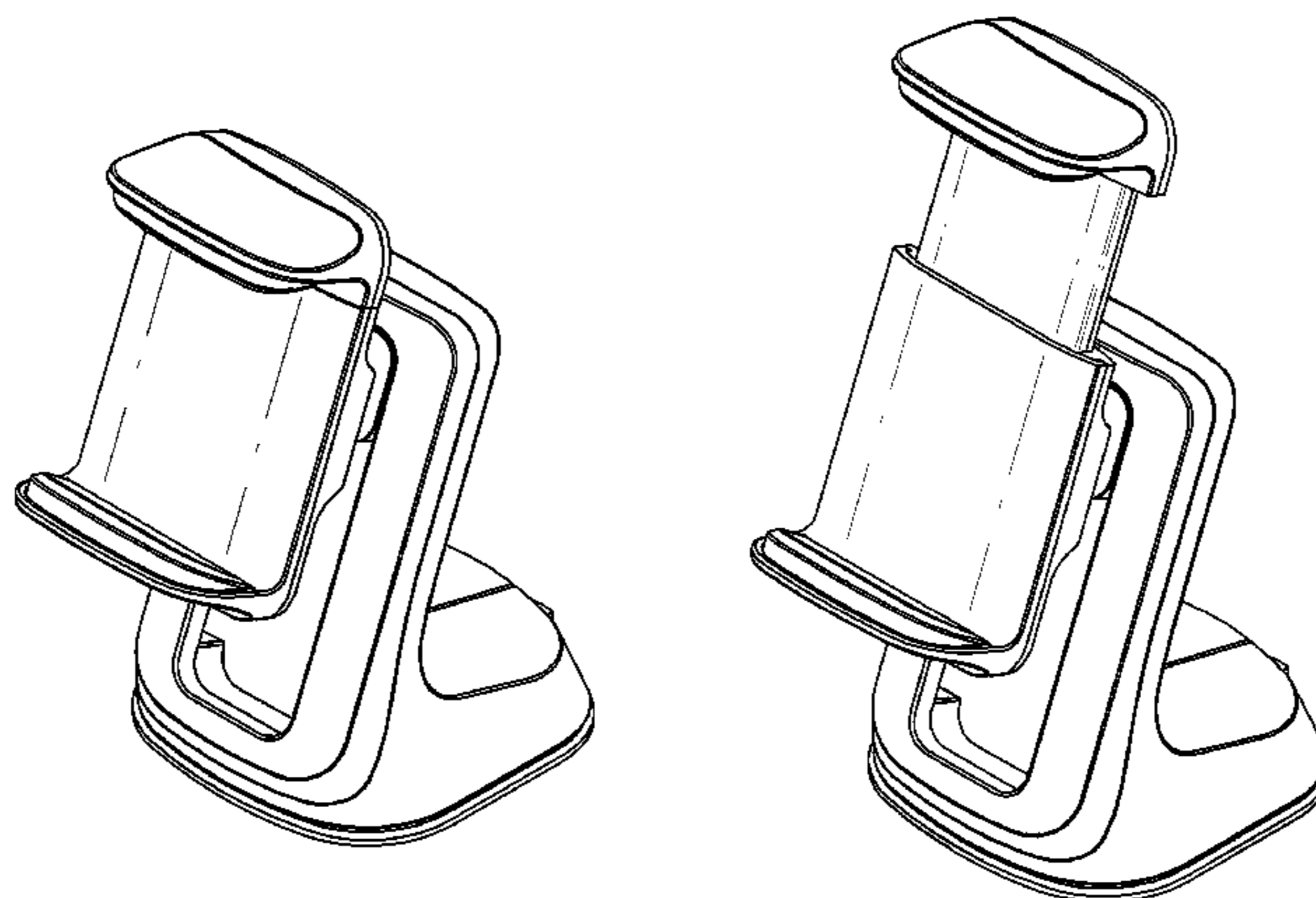
FIG. 6 is a top plan view thereof;

FIG. 7 is a bottom plan view thereof;

FIG. 8 is a perspective view thereof, in an alternate position for use; and,

FIG. 9 is a perspective view thereof, holding a smart phone. The broken lines in FIG. 9, showing the smart phone, depict unclaimed environment and form no part of the claimed design.

1 Claim, 9 Drawing Sheets



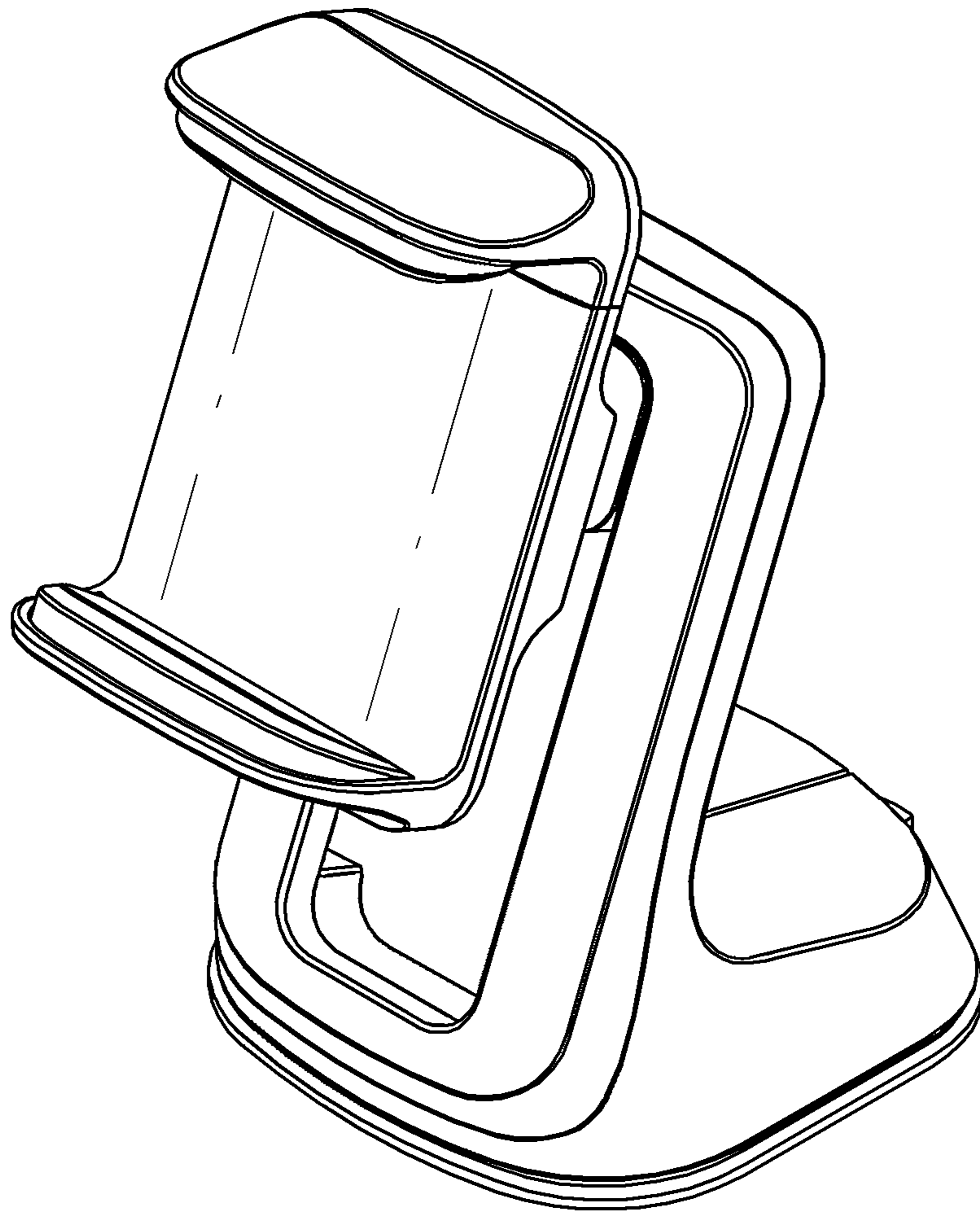


FIG.1

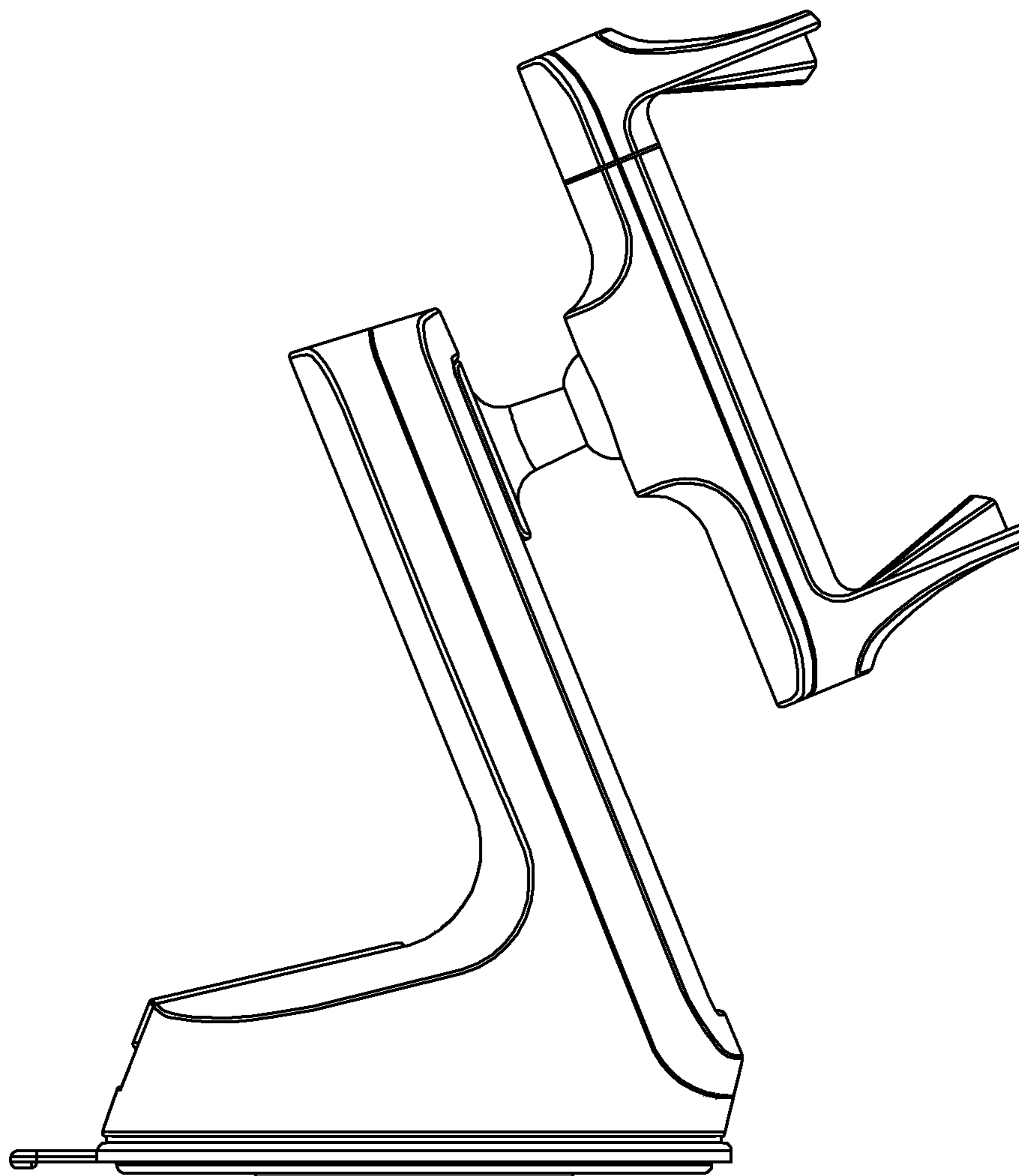


FIG.2

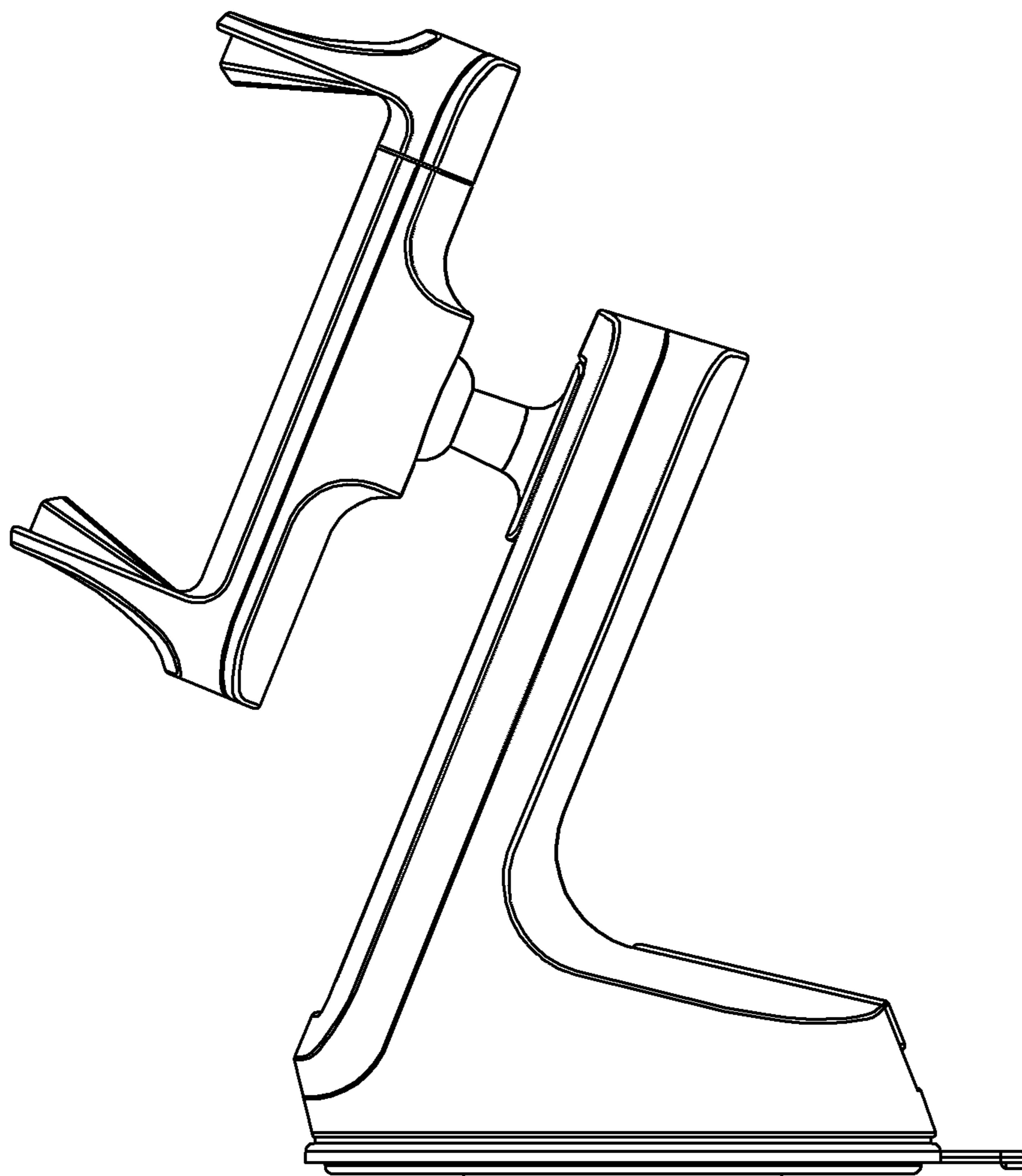


FIG.3

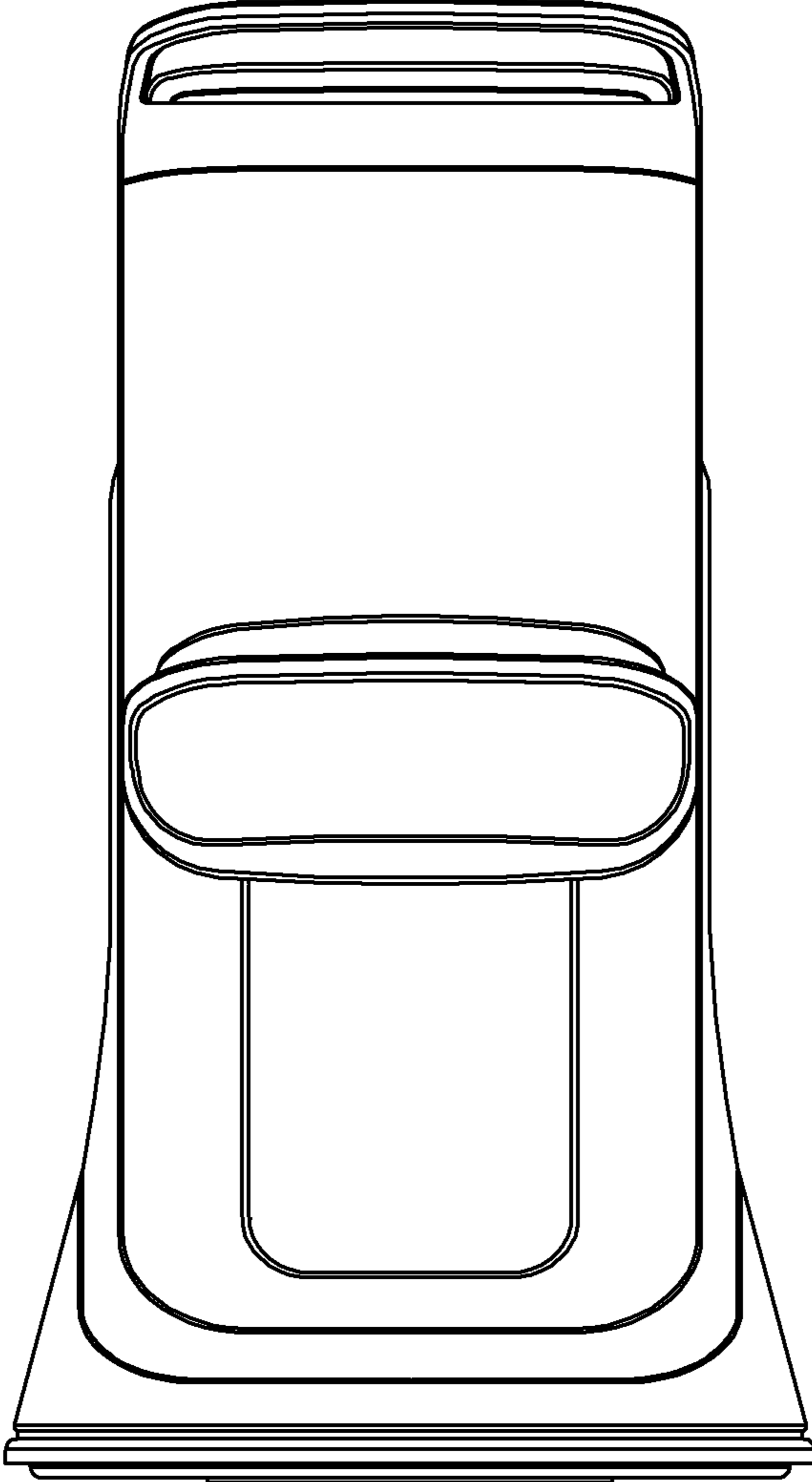


FIG.4

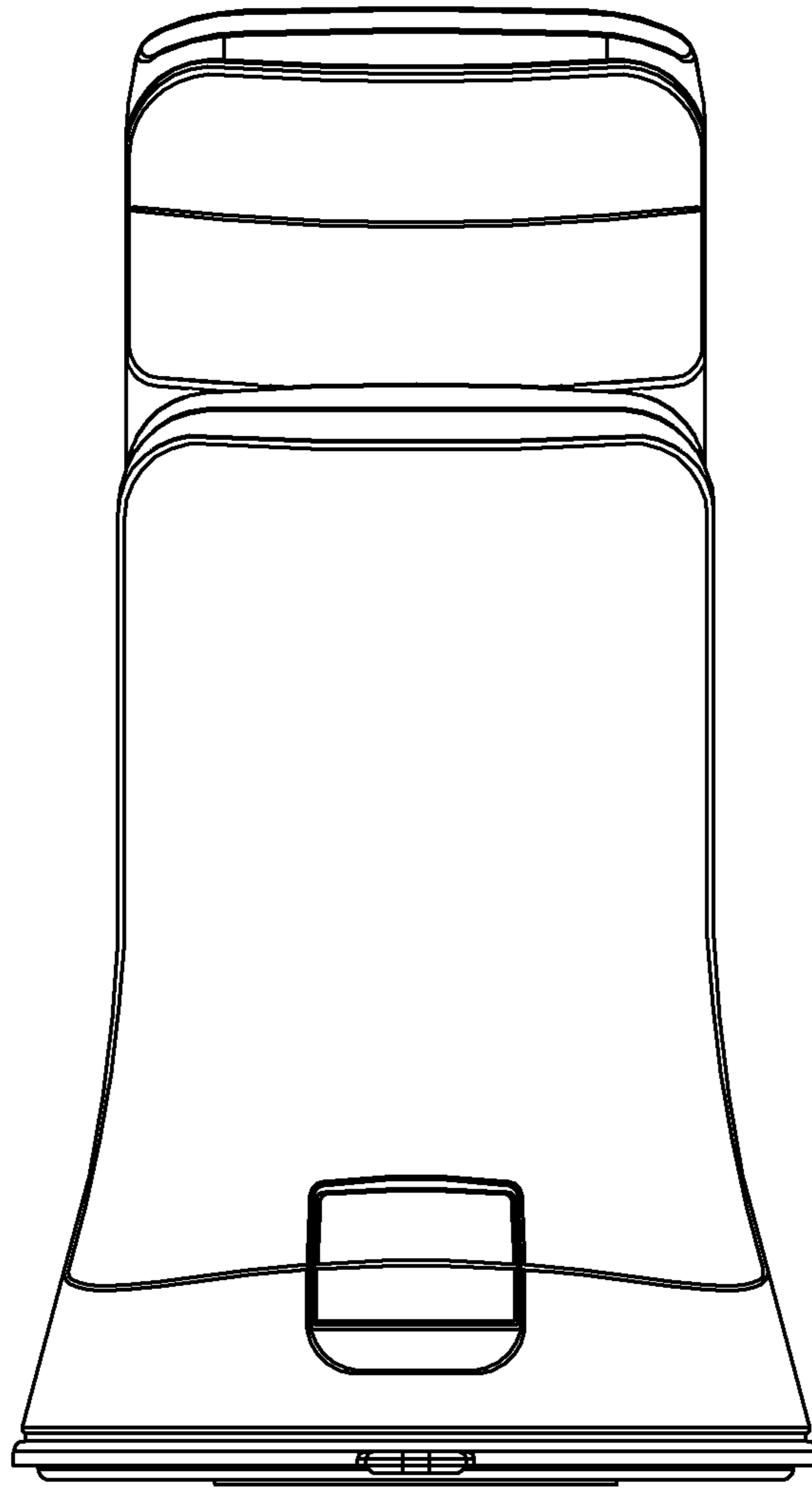


FIG.5

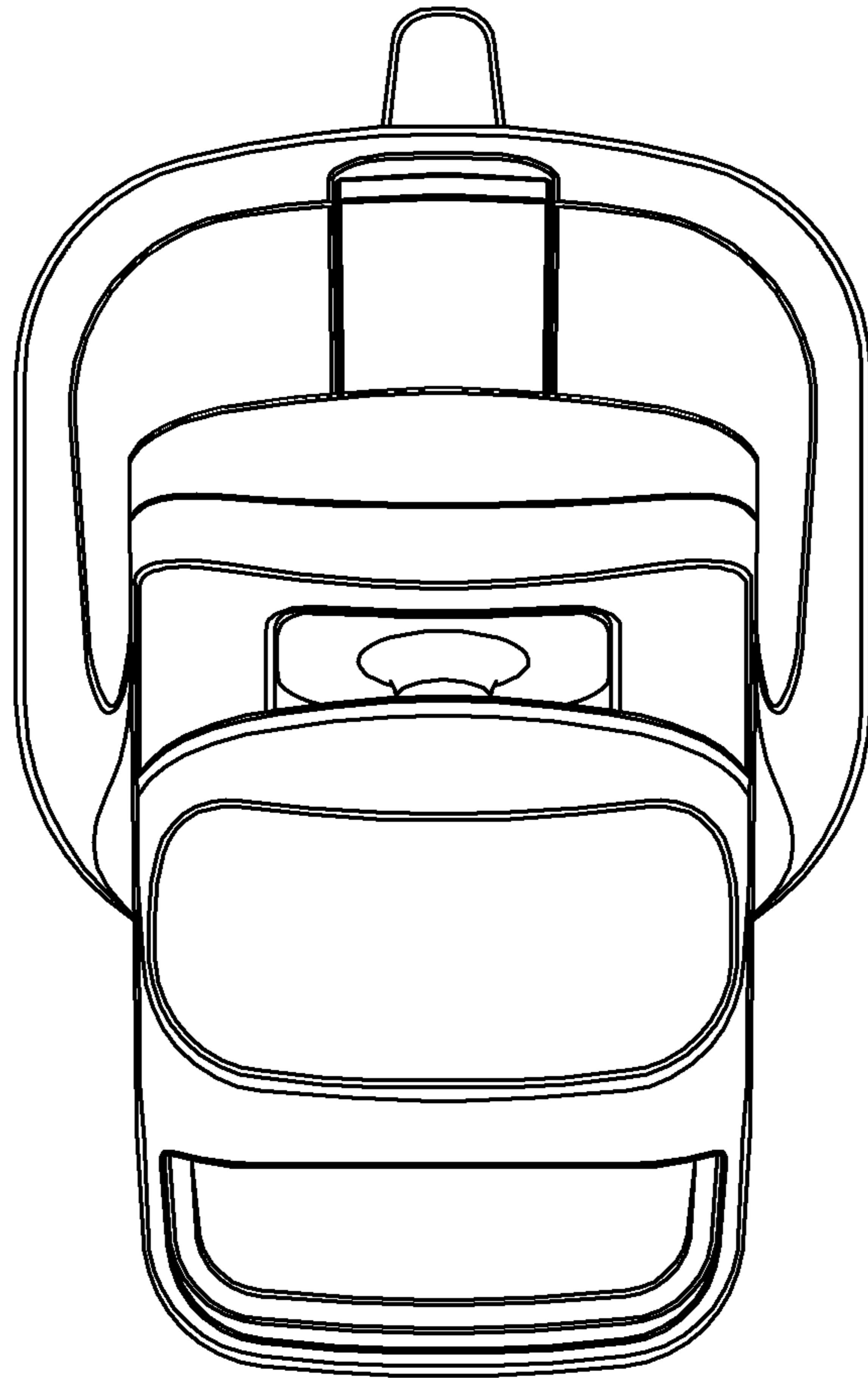


FIG.6

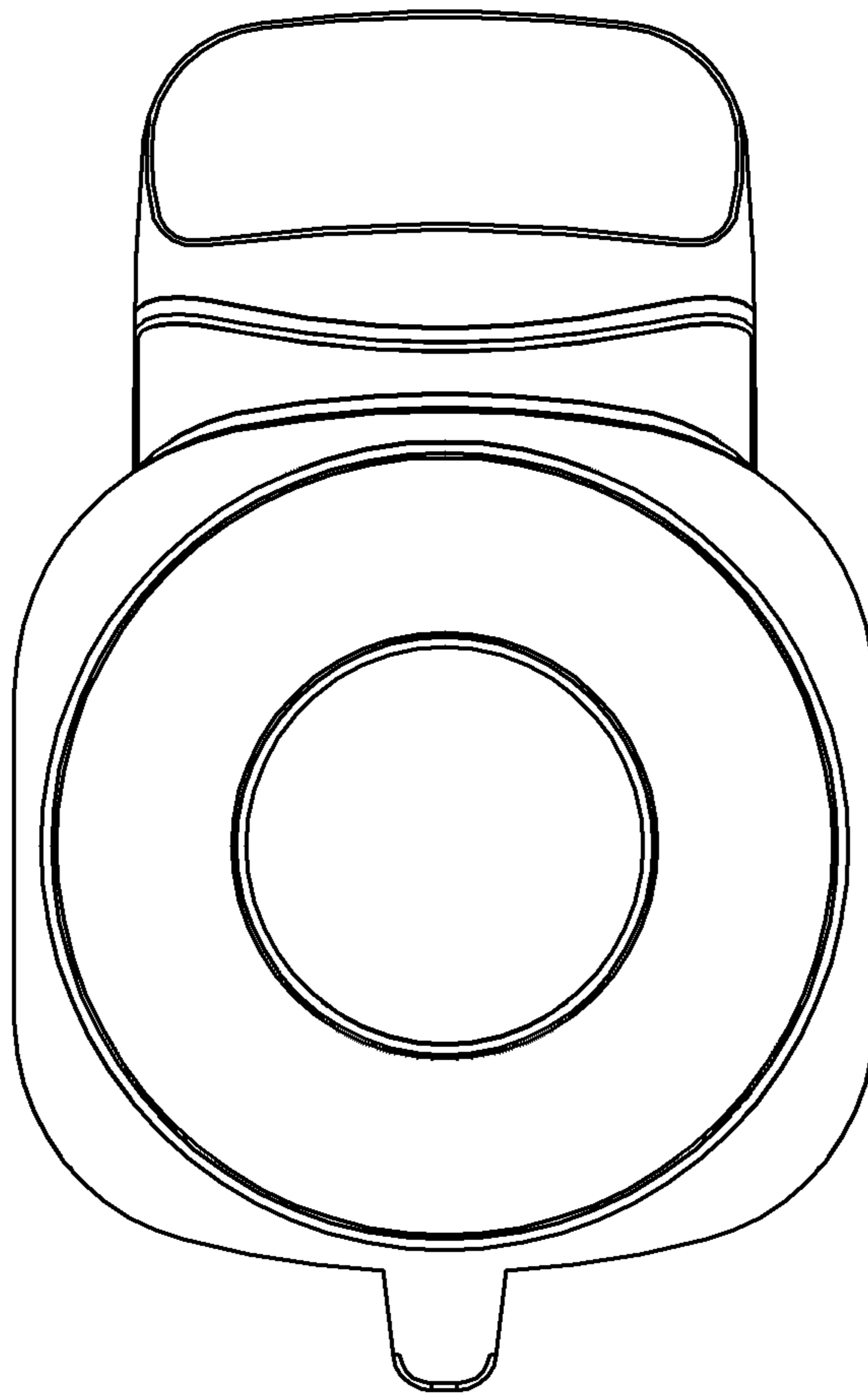


FIG. 7

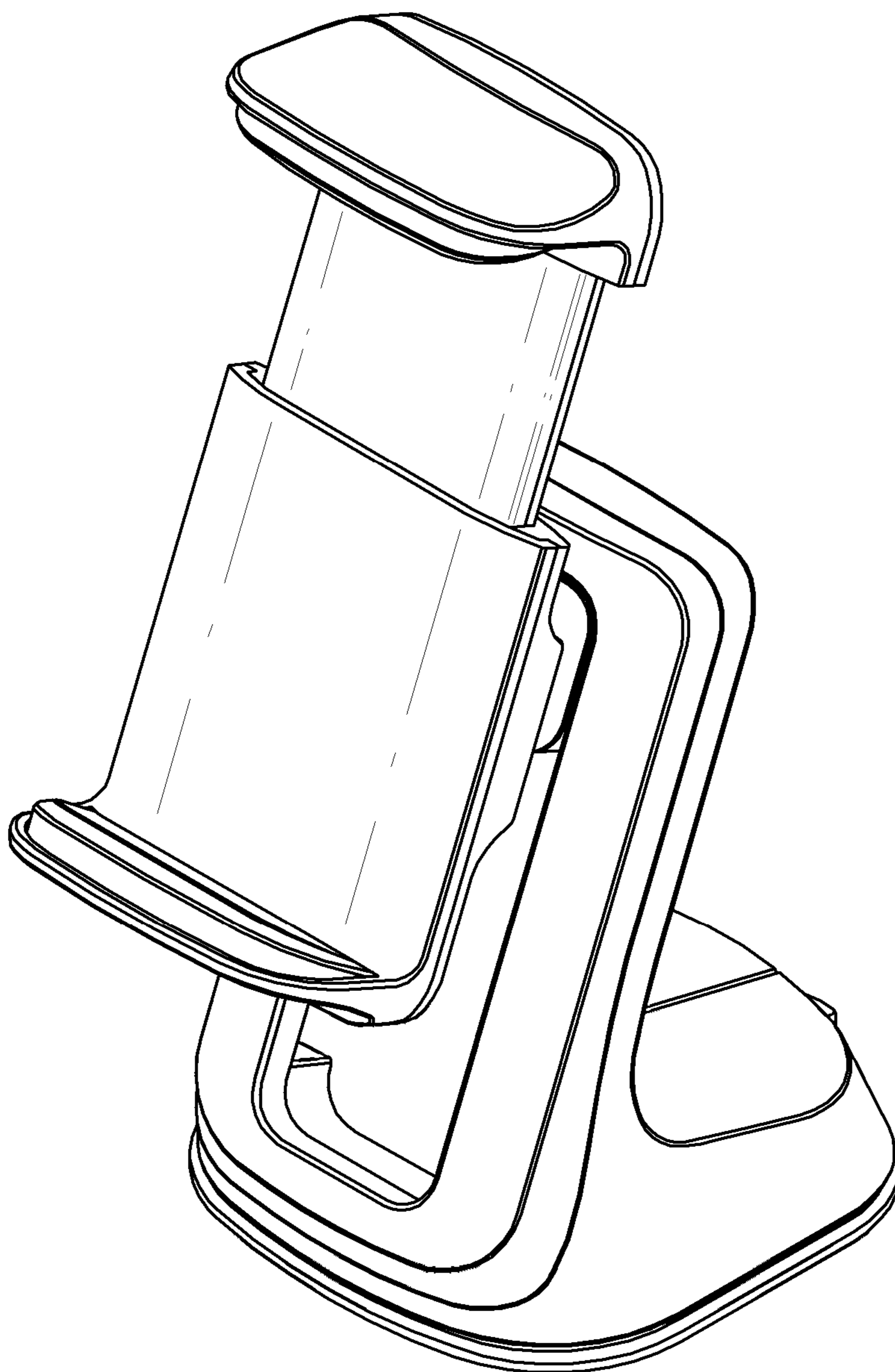


FIG.8

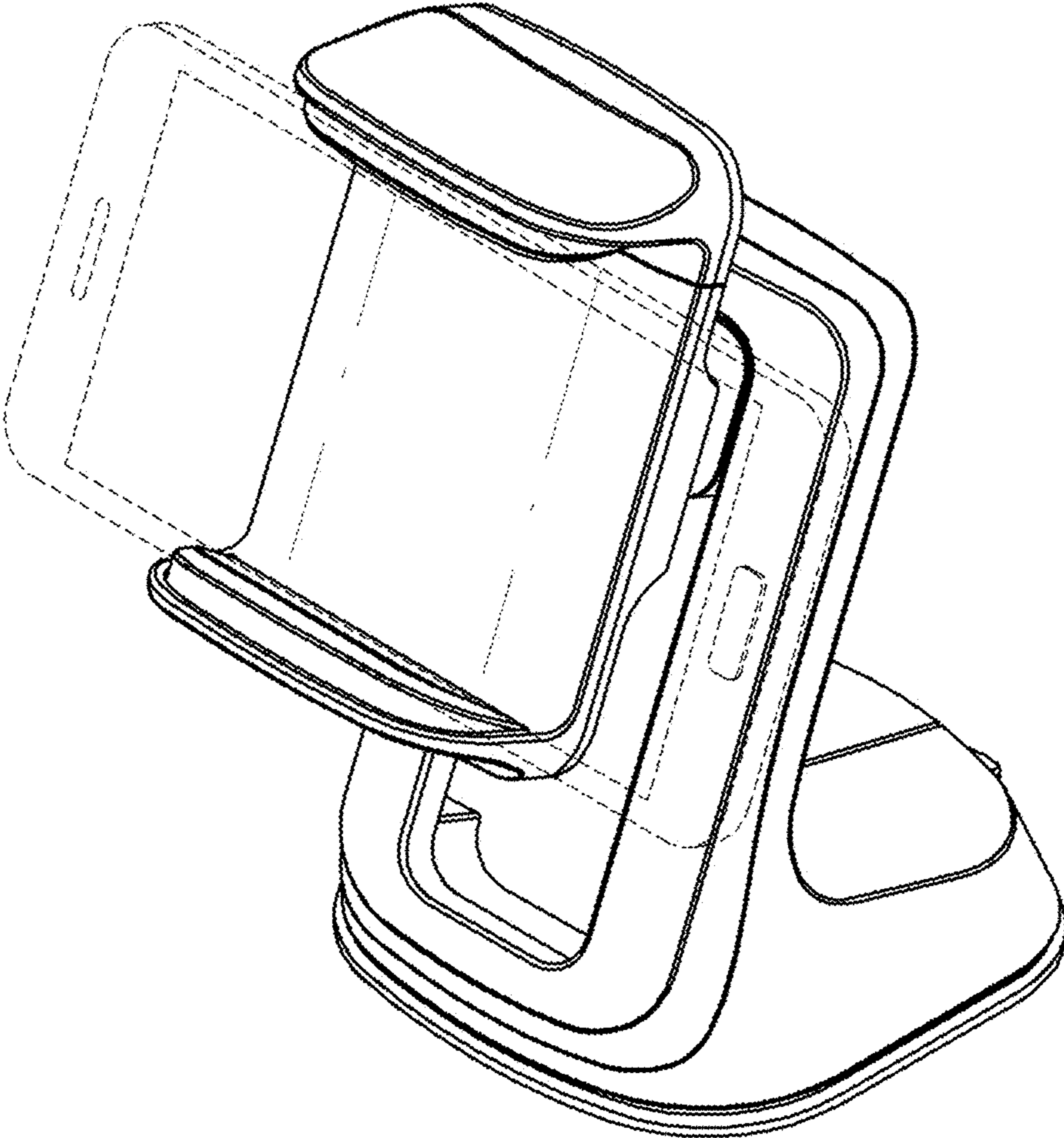


FIG.9