



US00D738872S

(12) **United States Design Patent**
Erickson-Davis et al.

(10) **Patent No.:** **US D738,872 S**
(45) **Date of Patent:** **** Sep. 15, 2015**

(54) **ELECTRONIC DEVICE COVER WITH
DETACHABLE STRAP**

(71) Applicant: **My Kidenza LLC**, Scottsdale, AZ (US)

(72) Inventors: **Christe Erickson-Davis**, Scottsdale, AZ
(US); **Scott Kendrick Warner**, Lehi, UT
(US); **Joseph D. Bowers**, Jan Juc (AU)

(73) Assignee: **My Kidenza Inc.**, Scottsdale, AZ (US)

(**) Term: **14 Years**

(21) Appl. No.: **29/478,131**

(22) Filed: **Dec. 31, 2013**

(51) **LOC (10) Cl.** **14-03**

(52) **U.S. Cl.**

USPC **D14/250; D3/218**

(58) **Field of Classification Search**

USPC D14/203.3–203.7, 217, 230, 238.1, 240,
D14/247, 248, 250–253, 341, 345, 346, 439,
D14/440, 447, 496; D3/201, 218, 247, 249,
D3/269, 301, 273, 303; D13/103,
D13/107–108, 119; D11/178.1; D19/10;
220/4.02; 248/309.1; 361/679.56;
379/426, 433.11, 455; 455/575.1,
455/575.4, 575.8; 190/100; 206/305, 320

CPC .. H04B 1/3888; H04M 1/185; H04M 1/0283;
H04M 1/0202; A45C 2011/002; A45C 11/00;
A45C 13/002; A45C 2011/003

See application file for complete search history.

(56) **References Cited**

U.S. PATENT DOCUMENTS

6,646,864 B2 * 11/2003 Richardson 361/679.3
D638,254 S * 5/2011 Barber D7/354
D660,597 S * 5/2012 Leblanc D3/318
D669,458 S * 10/2012 Wilson et al. D14/250
D671,109 S * 11/2012 Rothbaum et al. D14/250
D673,162 S * 12/2012 Young D14/447

8,374,657 B2 * 2/2013 Interdonato 455/575.4
D677,252 S * 3/2013 Baum et al. D14/253
8,616,423 B2 * 12/2013 Wizikowski 224/218
D702,672 S * 4/2014 Mather D14/250
D703,647 S * 4/2014 Kim D14/250
D705,767 S * 5/2014 Yoon D14/250
D716,040 S * 10/2014 Soriano et al. D3/218
D717,780 S * 11/2014 Tussy D14/250
2014/0054910 A1 * 2/2014 Kim 294/158
2014/0152034 A1 * 6/2014 Tussy 294/142

* cited by examiner

Primary Examiner — Carla Jobe Wright

Assistant Examiner — Holly E Thurman

(74) *Attorney, Agent, or Firm* — Workman Nydegger

(57) **CLAIM**

The ornamental design for a electronic device cover with detachable strap, as shown and described.

DESCRIPTION

FIG. 1 is a top, rear perspective view of a electronic device cover with detachable strap showing the strap in a latched configuration;

FIG. 2 is a rear elevation view thereof;

FIG. 3 is a front elevation view thereof;

FIG. 4 is a right-side elevation view thereof;

FIG. 5 is a left-side elevation view thereof;

FIG. 6 is a top plan view thereof;

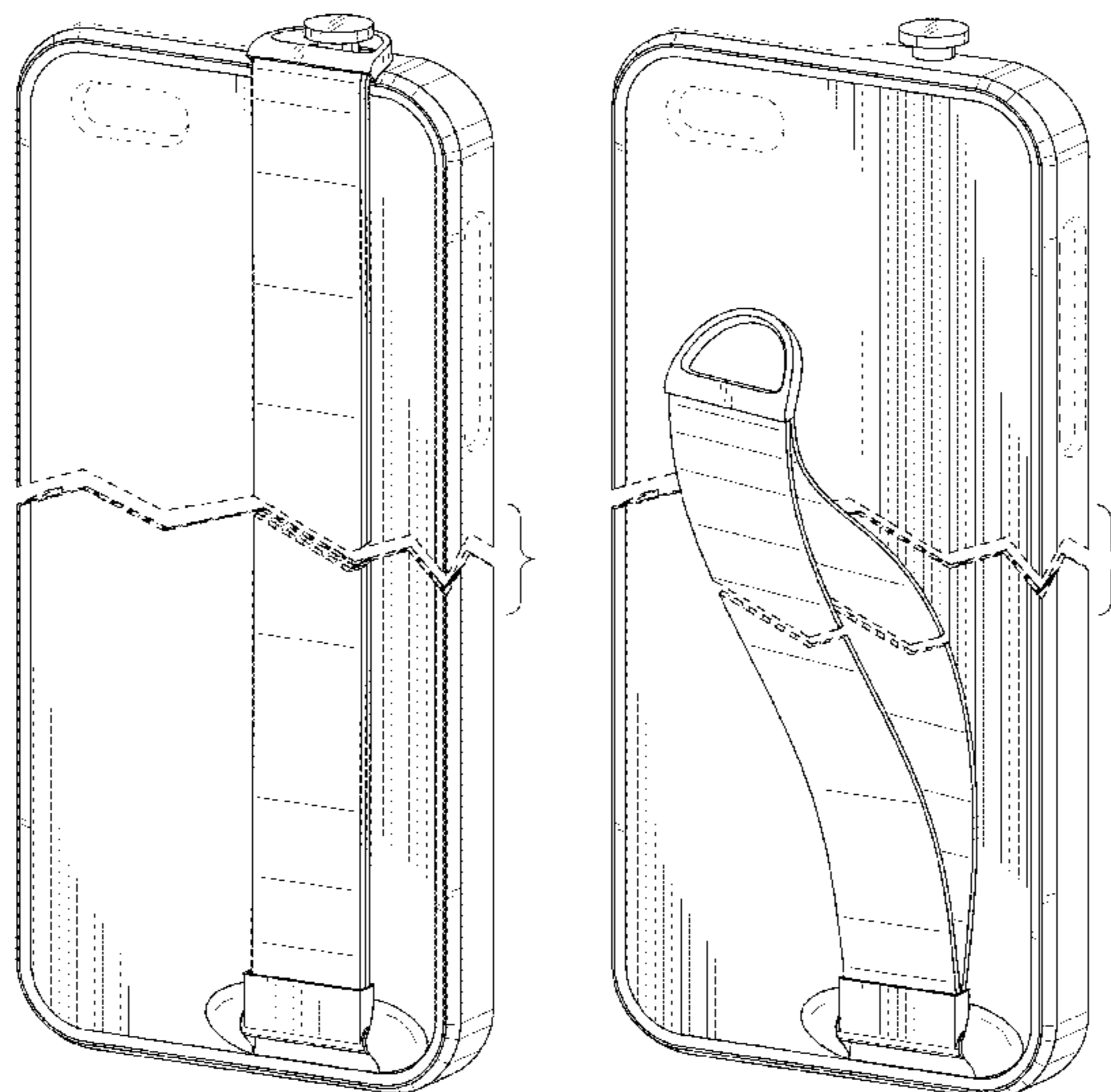
FIG. 7 is a bottom plan view thereof;

FIG. 8 is a top, front perspective view thereof; and,

FIG. 9 is a top, rear perspective view of the electronic device cover with detachable strap showing the strap in an unlatched configuration.

The electronic device cover with detachable strap is shown with a symbolic break in its height. The appearance of any portion of the article between the break lines forms no part of the claimed design. The electronic device and features of the cover shown in broken lines are environmental subject matter only that form no part of the claimed design.

1 Claim, 7 Drawing Sheets



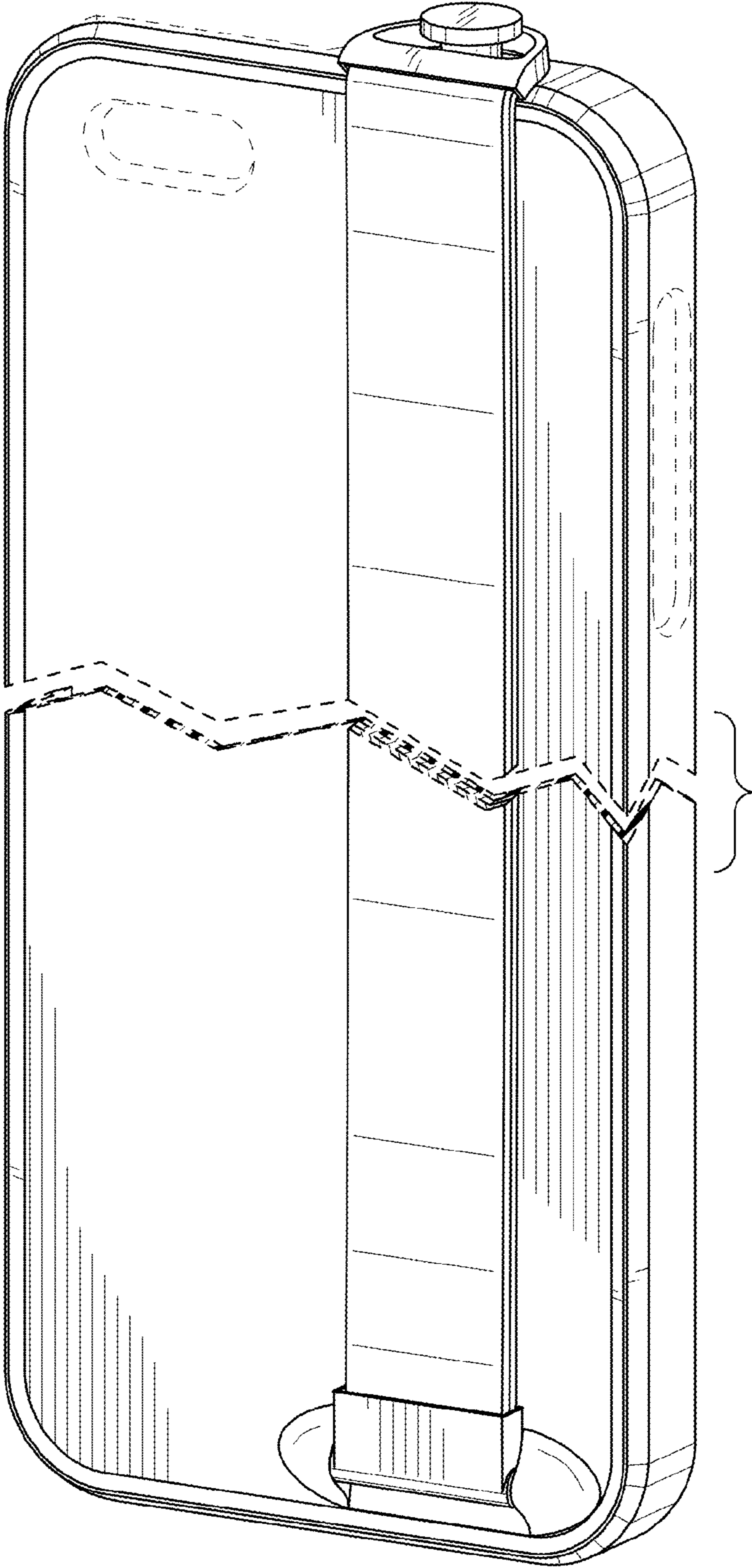


FIG. 1

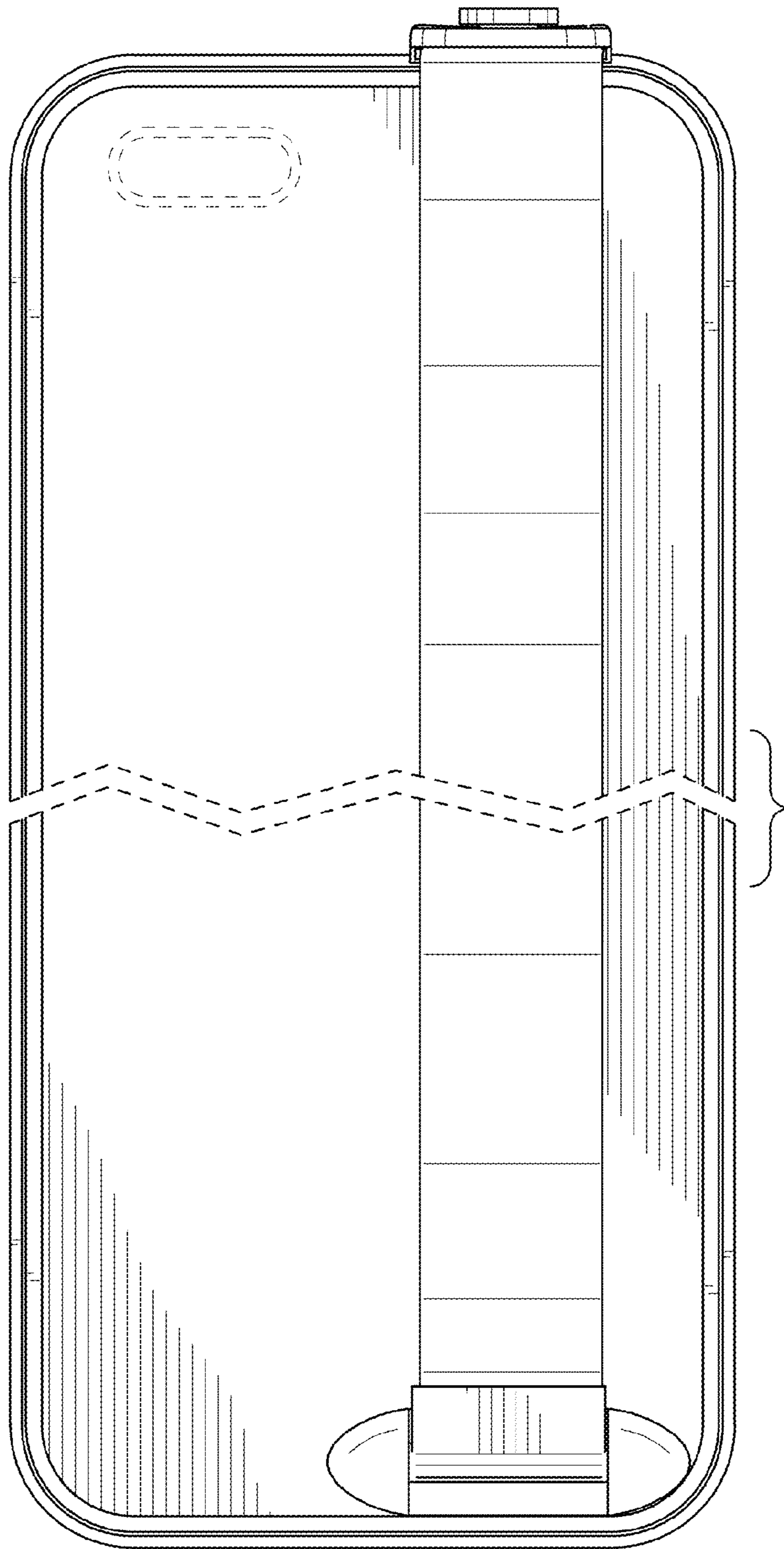


FIG. 2

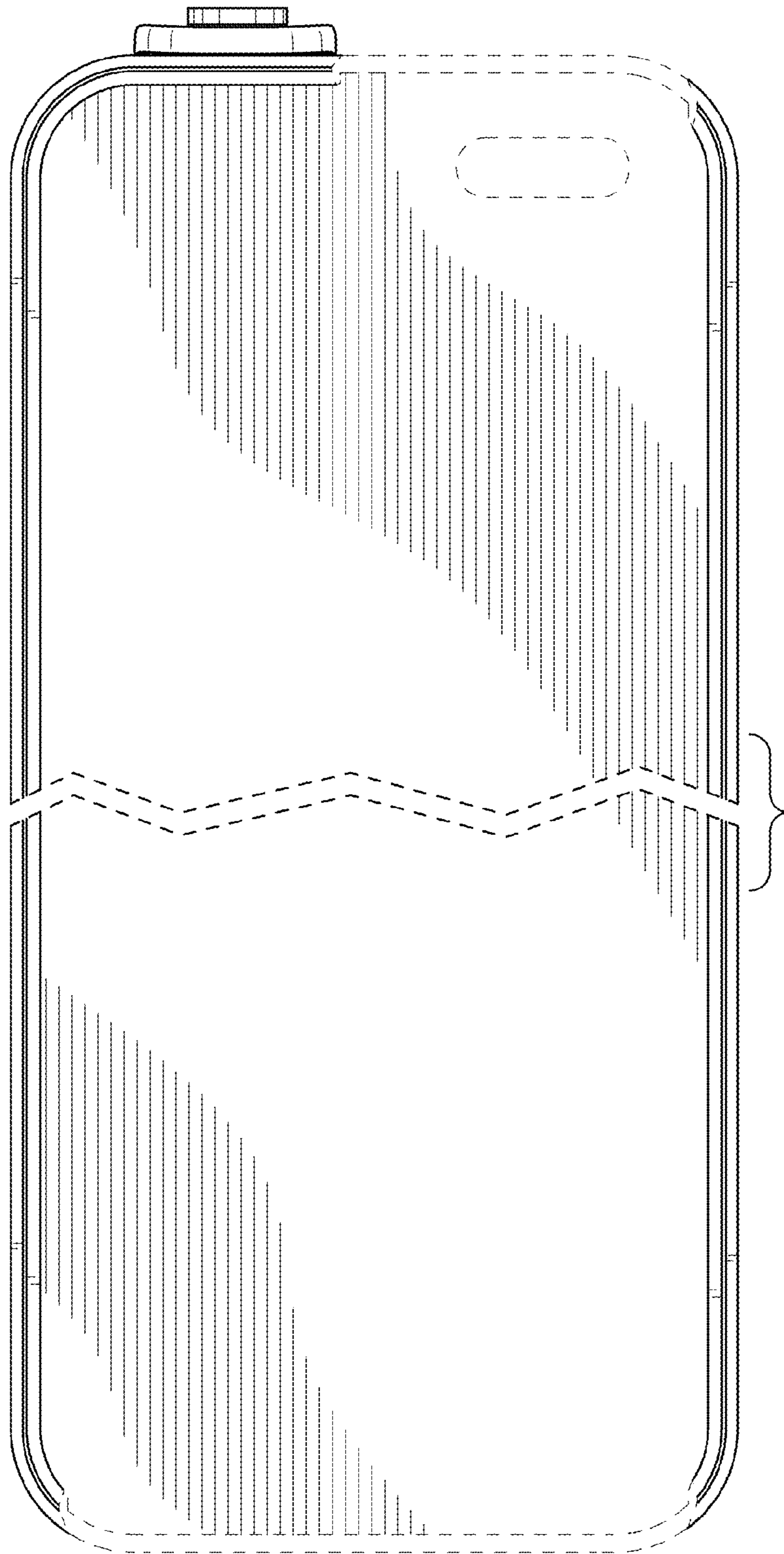


FIG. 3

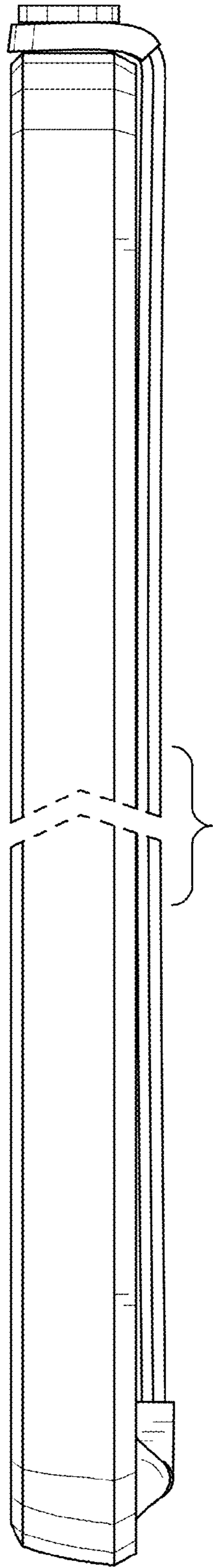


FIG. 4

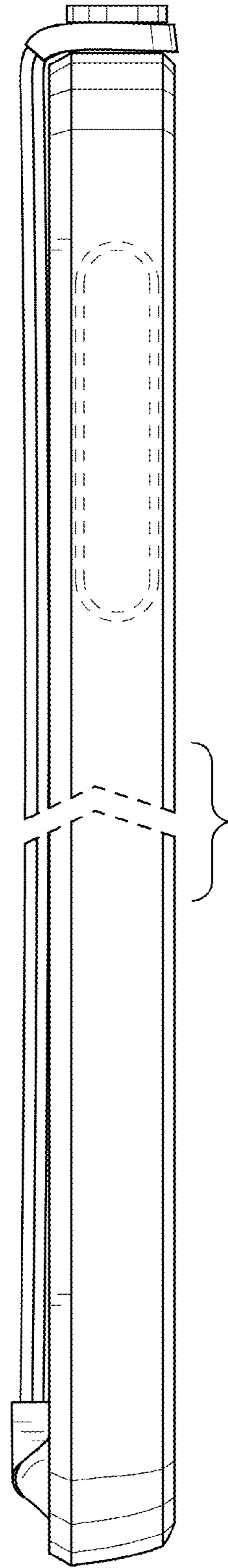


FIG. 5

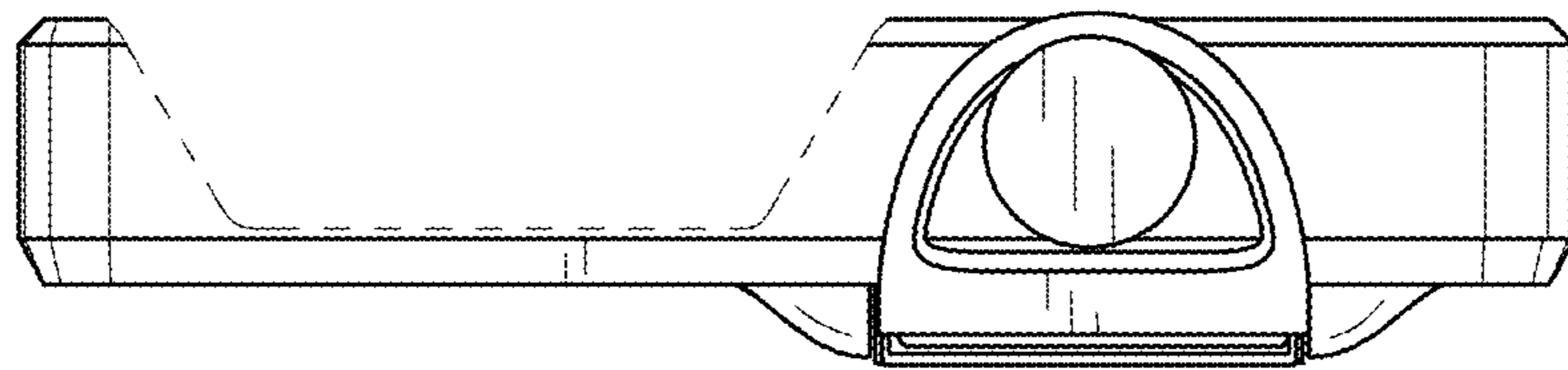


FIG. 6

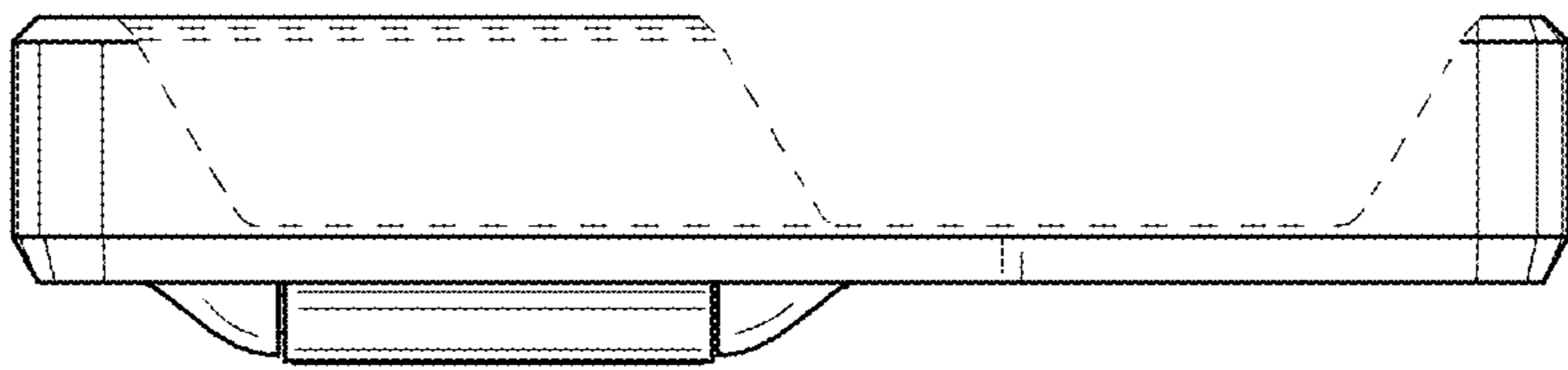


FIG. 7

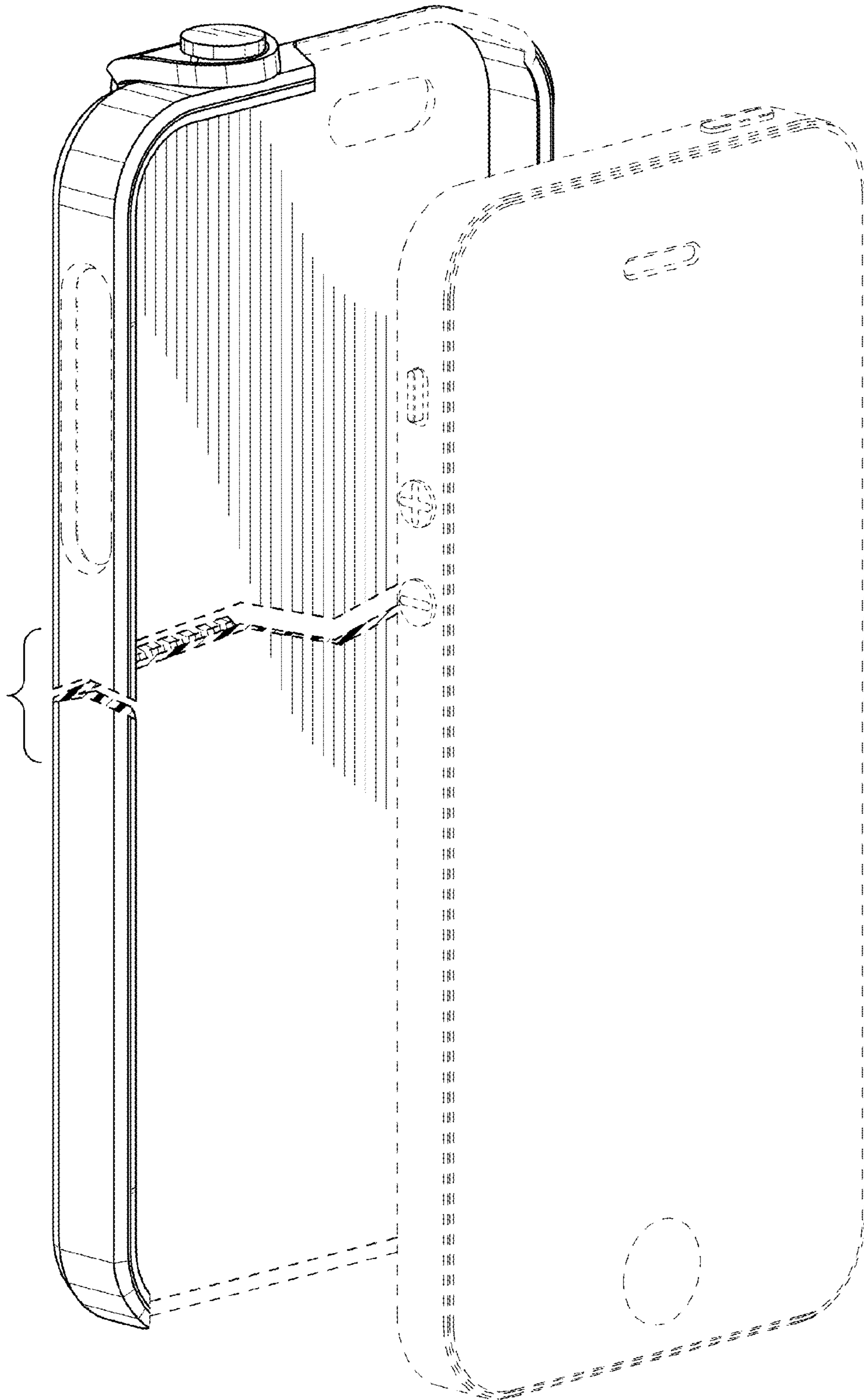


FIG. 8

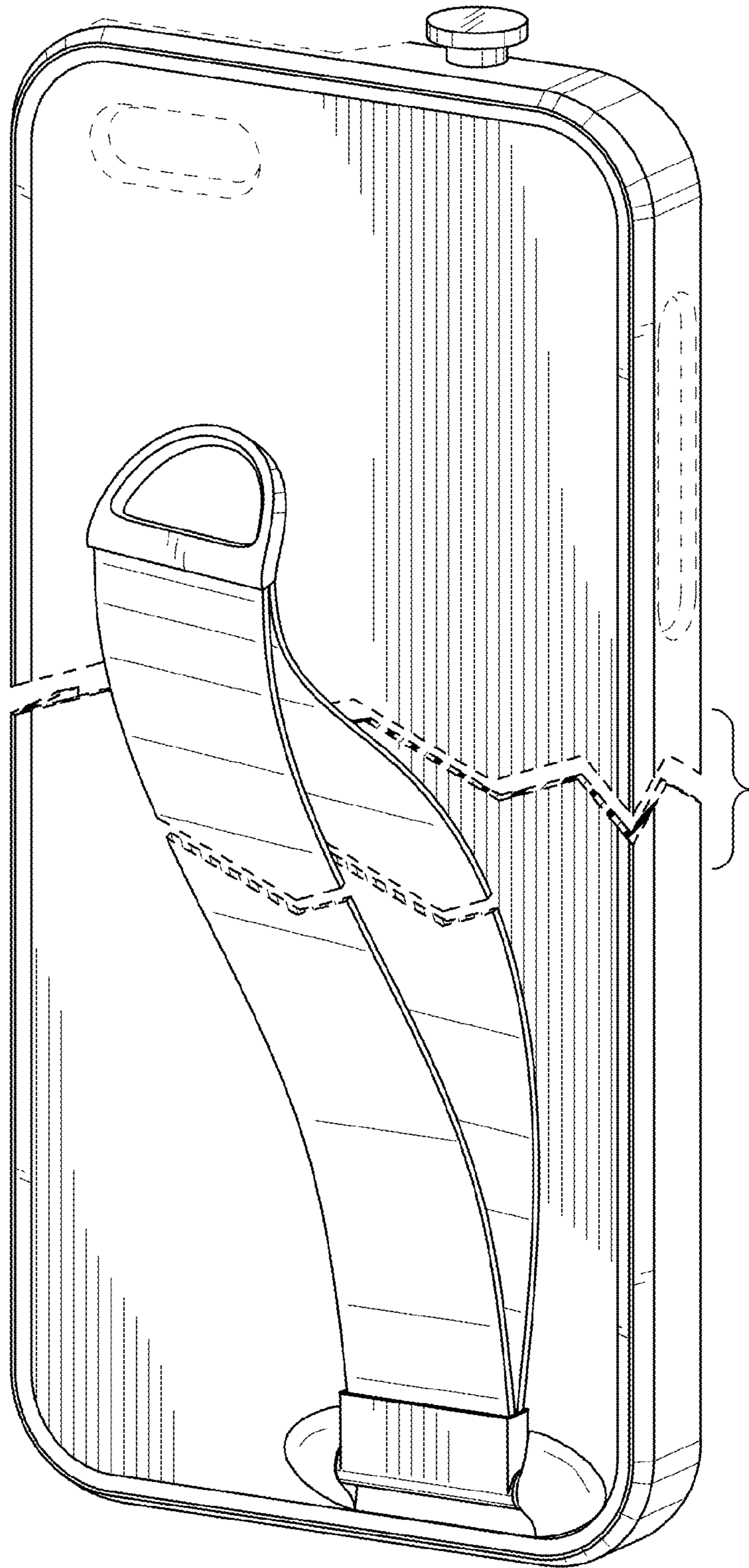


FIG. 9