



US00D738869S

(12) **United States Design Patent**
Groener et al.

(10) **Patent No.:** **US D738,869 S**
(45) **Date of Patent:** **** Sep. 15, 2015**

(54) **ELECTRONIC DEVICE**

(71) Applicant: **Garmin Switzerland GmbH**,
Schaffhausen (CH)

(72) Inventors: **Gregory M. Groener**, Prairie Village,
KS (US); **Marcos J. Bowman**, Overland
Park, KS (US); **Mark B. Emge**, Olathe,
KS (US); **Chien-Pang Huang**, Keelung
(TW)

(73) Assignee: **Garmin Switzerland GmbH (CH)**

(**) Term: **14 Years**

(21) Appl. No.: **29/471,950**

(22) Filed: **Nov. 6, 2013**

(51) **LOC (10) Cl.** **14-03**

(52) **U.S. Cl.**
USPC **D14/240**

(58) **Field of Classification Search**
USPC D14/135, 137, 139, 140–140.9, 155,
D14/167, 240, 242, 243, 348, 349, 351, 354,
D14/355, 356, 357, 358, 385, 433, 435,
D14/435.1, 436, 474, 480, 496; D13/103,
D13/108, 110, 147; D10/75
CPC H04L 12/00; H03K 17/00; H04W 88/00;
H04W 88/005; H04W 88/02; H04W 88/08;
H04W 88/085; H04W 88/10; H04W 88/12;
H04W 88/14; H04B 1/38
See application file for complete search history.

(56) **References Cited**

U.S. PATENT DOCUMENTS

D494,156 S * 8/2004 Chen et al. D14/240
D559,841 S * 1/2008 Liu et al. D14/240

D561,750 S * 2/2008 Liu et al. D14/240
D580,422 S * 11/2008 Lee D14/240
D586,328 S * 2/2009 Ganley et al. D14/188
D600,232 S * 9/2009 Lee D14/188
D610,133 S * 2/2010 Asano D14/240
D662,496 S * 6/2012 Lewis et al. D14/240
D673,935 S * 1/2013 Lee D14/240

OTHER PUBLICATIONS

Printout from <http://www.linksys.com/en-apac/products/routers/WRT54GL> published prior to Oct. 6, 2013.

Printout from <http://www.dlink.com/us/en/home-solutions/connect/routers/dir-615-wireless-n-300-router> published prior to Oct. 6, 2013.

* cited by examiner

Primary Examiner — Eric Goodman

Assistant Examiner — Sanjeev Paul

(74) *Attorney, Agent, or Firm* — Samuel M. Korte;
Mohammad M. Ali

(57) **CLAIM**

The ornamental design for an electronic device, as shown and described.

DESCRIPTION

FIG. 1 is a front perspective view of an electronic device according to the present invention; FIG. 2 is a rear perspective view of the electronic device; FIG. 3 is a top view of the electronic device; FIG. 4 is a front view of the electronic device; FIG. 5 is a rear view of the electronic device; FIG. 6 is a bottom view of the electronic device; FIG. 7 is a left side view of the electronic device; and, FIG. 8 is a right side view of the electronic device.

The broken lines shown in the figures represent portions of the electronic device that form no part of the claimed design.

1 Claim, 4 Drawing Sheets

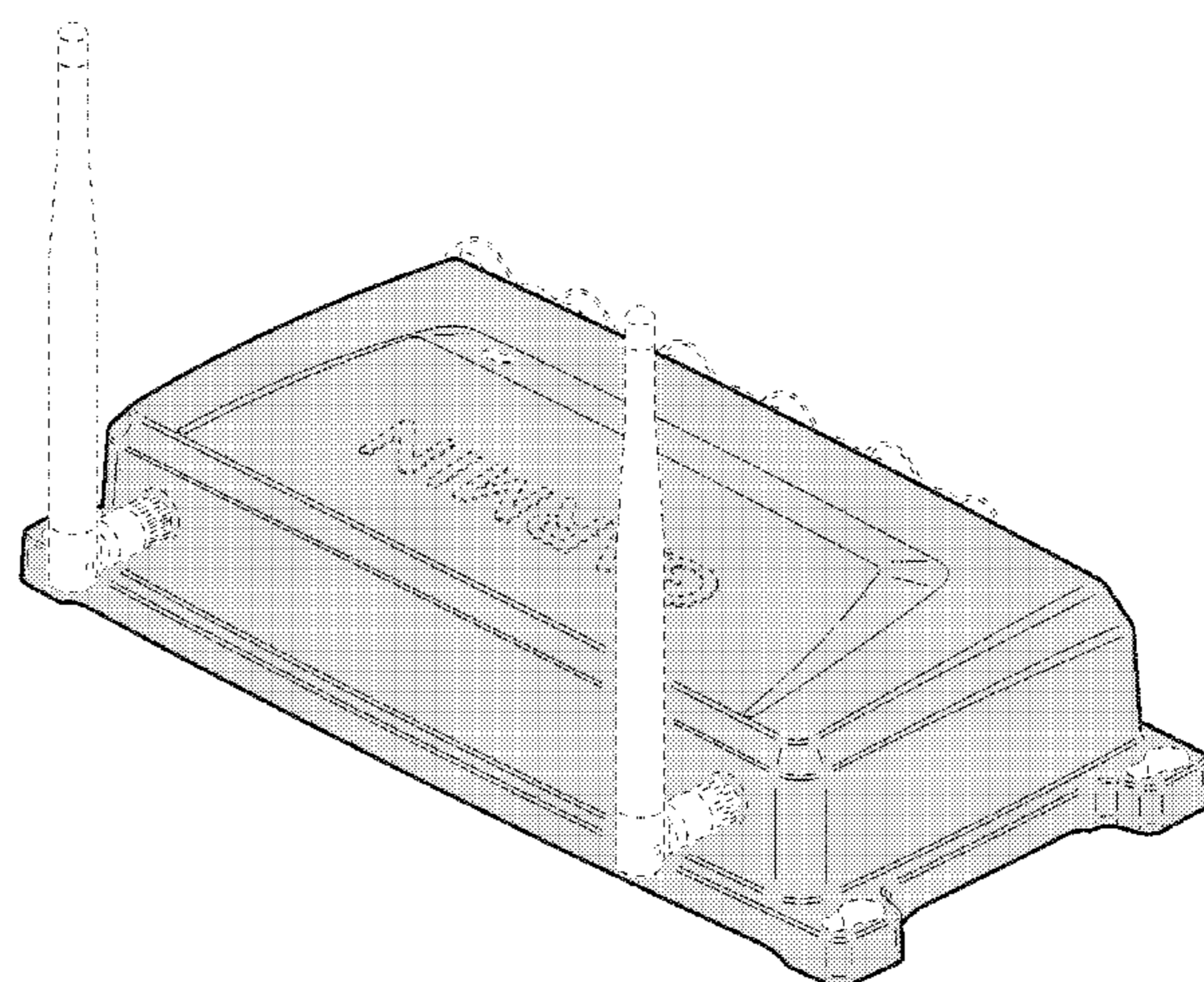
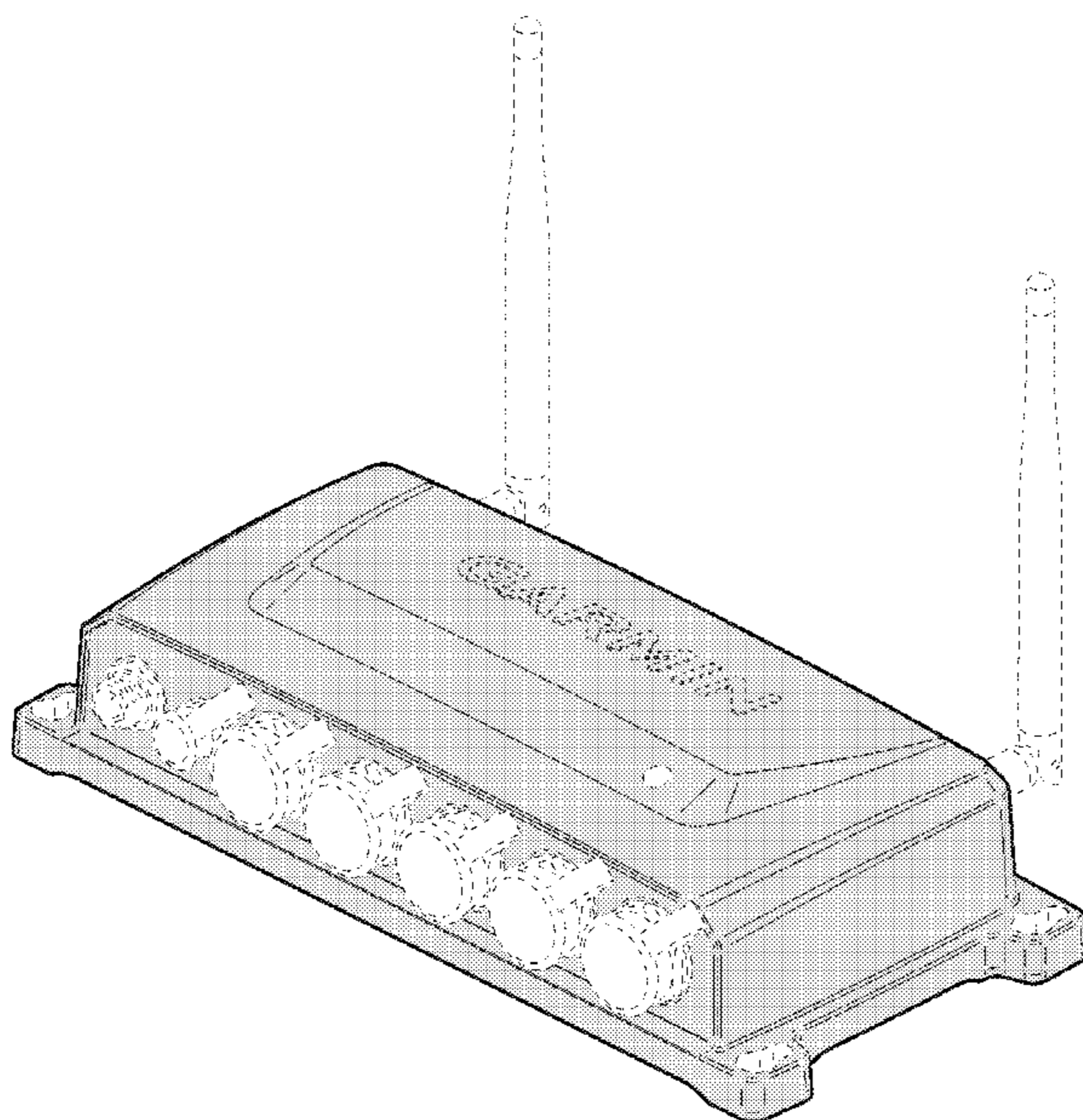


Fig. 1

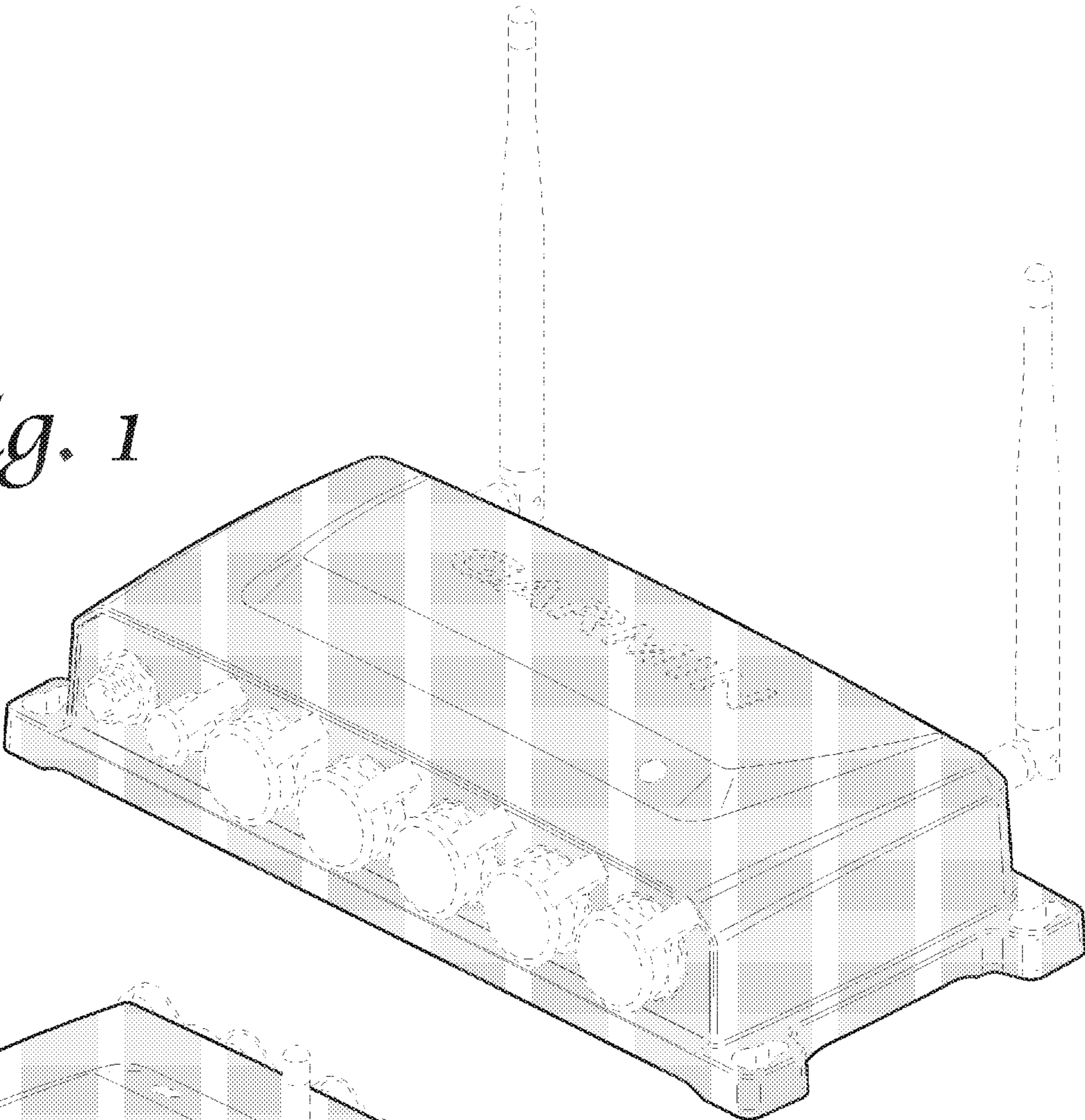
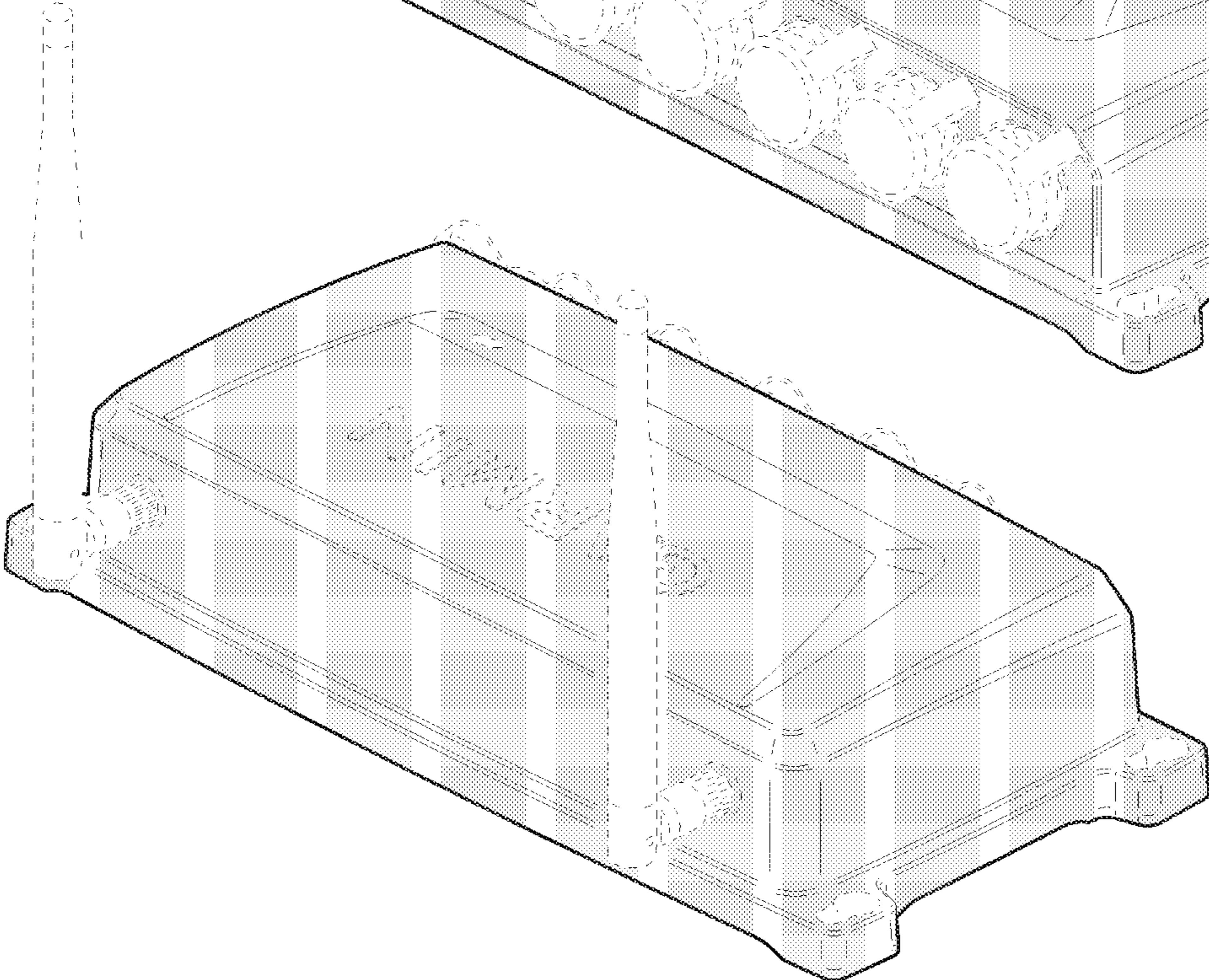


Fig. 2



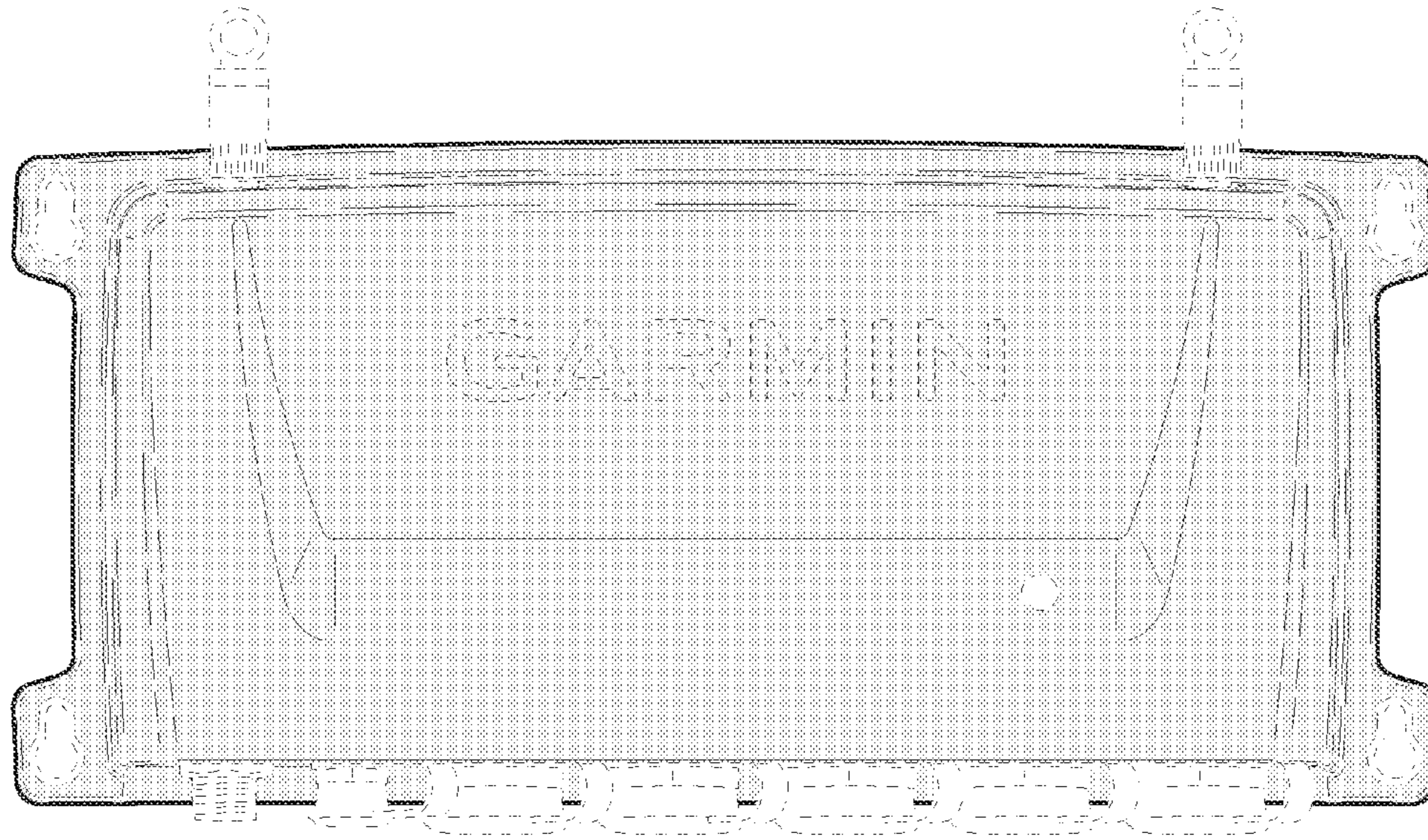


Fig. 3

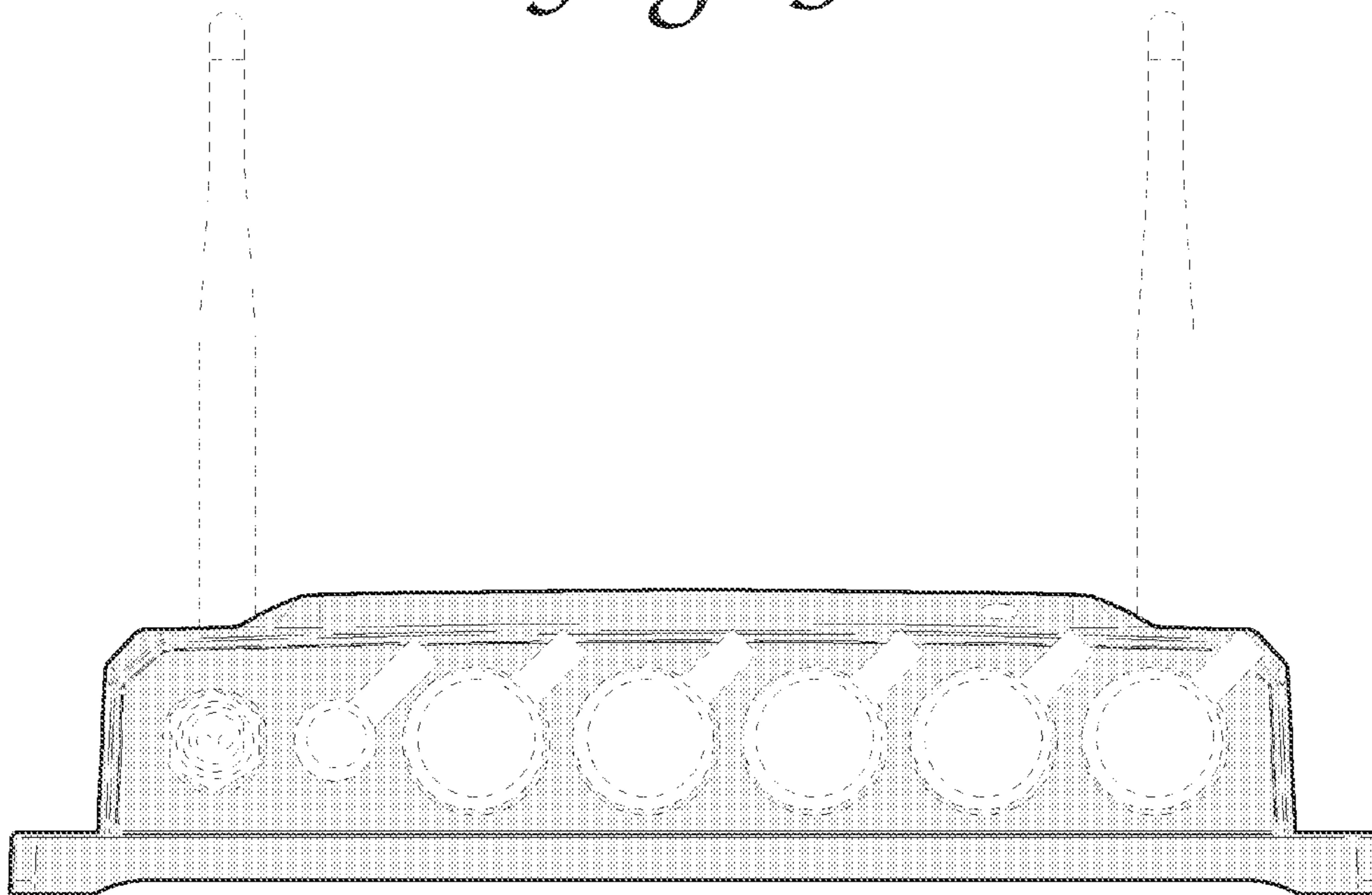


Fig. 4

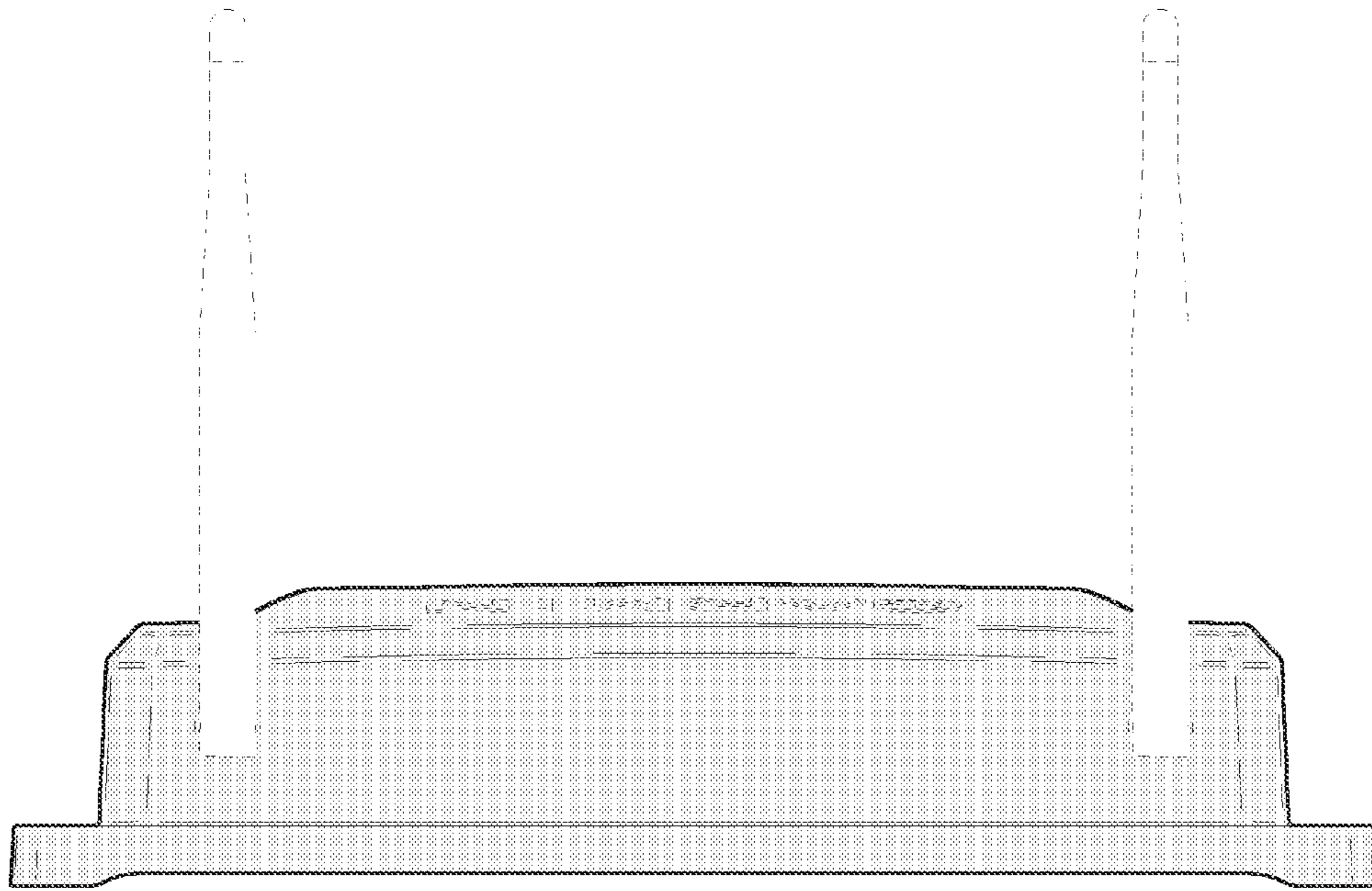


Fig. 5

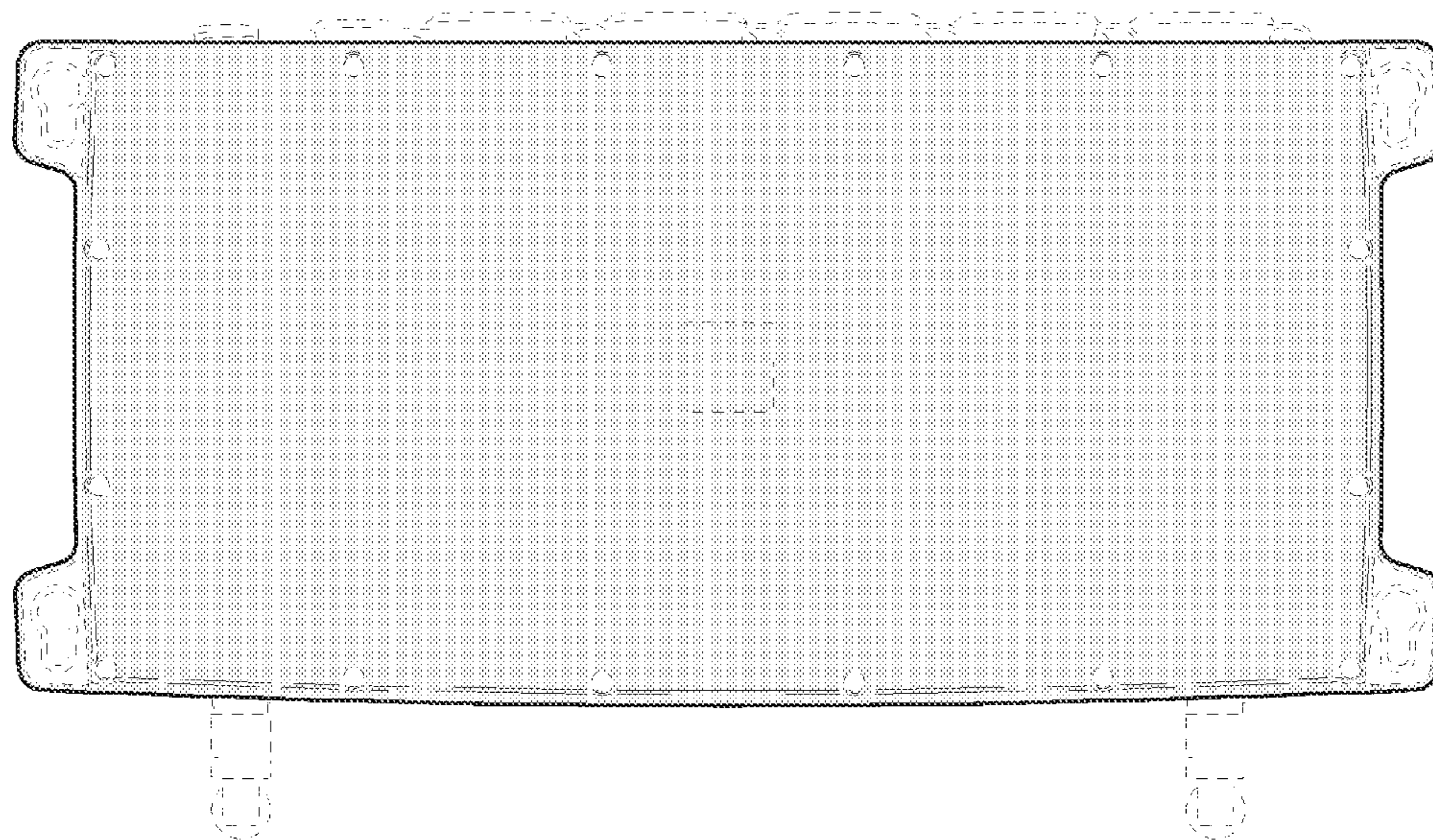


Fig. 6

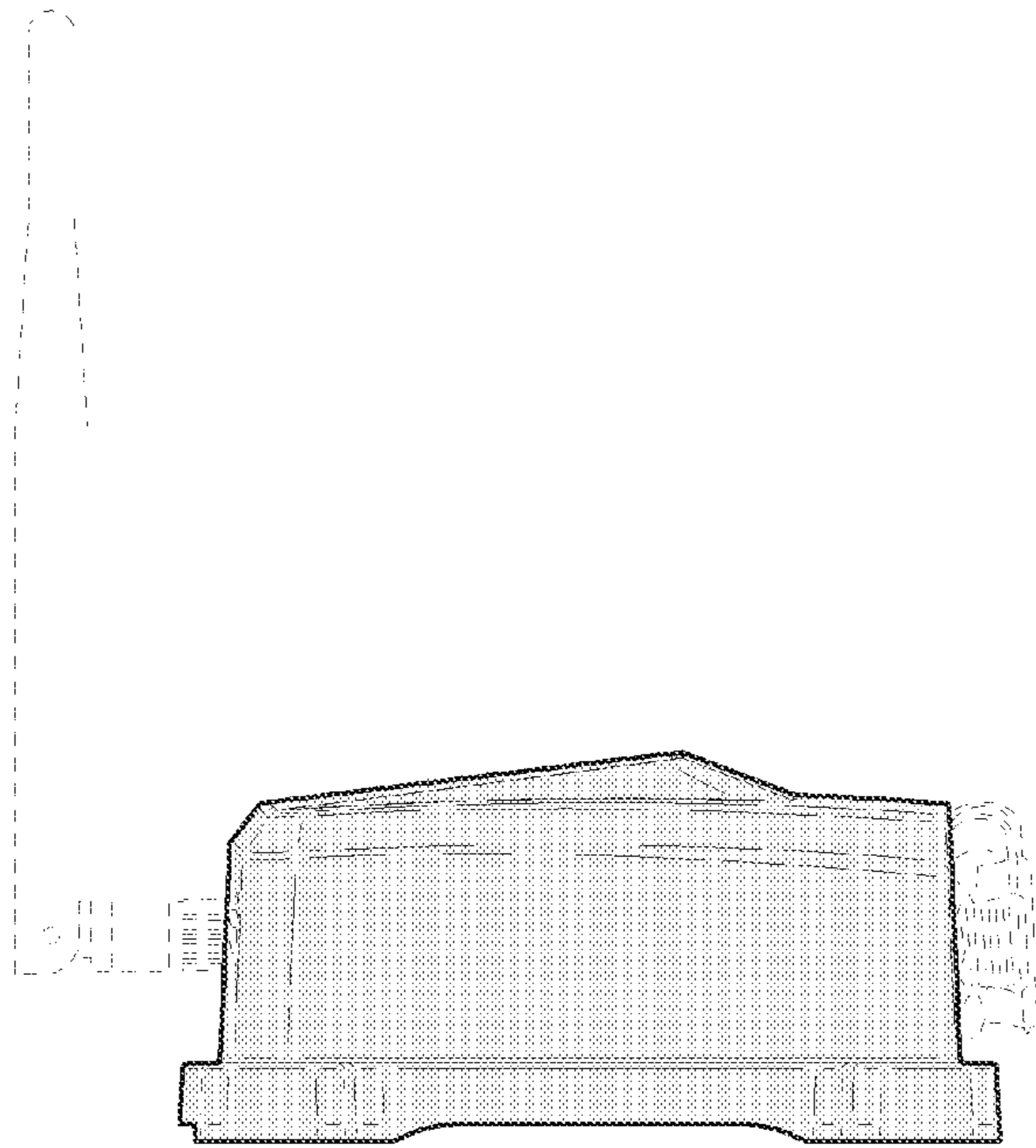


Fig. 7

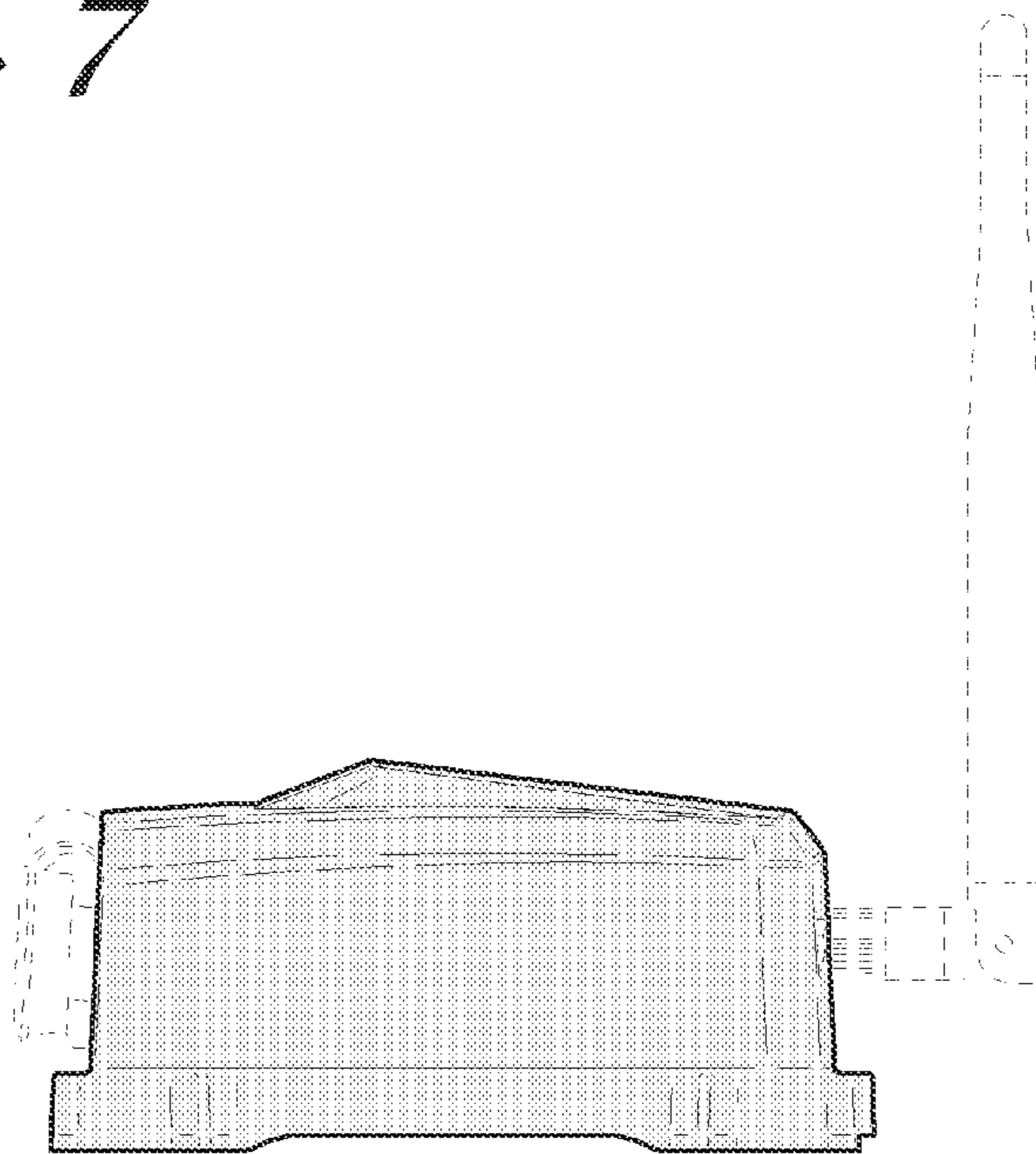


Fig. 8