



US00D738868S

(12) **United States Design Patent**
Scott et al.

(10) **Patent No.:** **US D738,868 S**

(45) **Date of Patent:** **** Sep. 15, 2015**

(54) **RADAR ARRAY**

(71) Applicant: **Navico Holding AS**, Egersund (NO)

(72) Inventors: **John Scott**, North Shore City (NZ); **Paul Robert Bailey**, Auckland (NZ)

(73) Assignee: **Navico Holding AS**, Egersund (NO)

(**) Term: **14 Years**

(21) Appl. No.: **29/481,125**

(22) Filed: **Jan. 31, 2014**

(51) **LOC (10) Cl.** **14-03**

(52) **U.S. Cl.**
USPC **D14/230**

(58) **Field of Classification Search**
USPC D14/230-238, 299, 358, 356, 240, 242;
343/700 R, 840, 841, 908; 455/3.02,
455/FOR. 215, 575.2

See application file for complete search history.

(56) **References Cited**

U.S. PATENT DOCUMENTS

3,172,113 A *	3/1965	Heinard et al.	343/771
D481,031 S *	10/2003	Wang	D14/235
D501,000 S *	1/2005	Wang	D14/235
D506,749 S *	6/2005	Sullivan et al.	D14/230

* cited by examiner

Primary Examiner — John Windmuller

(74) *Attorney, Agent, or Firm* — Pramudji Law Group PLLC; Ari Pramudji

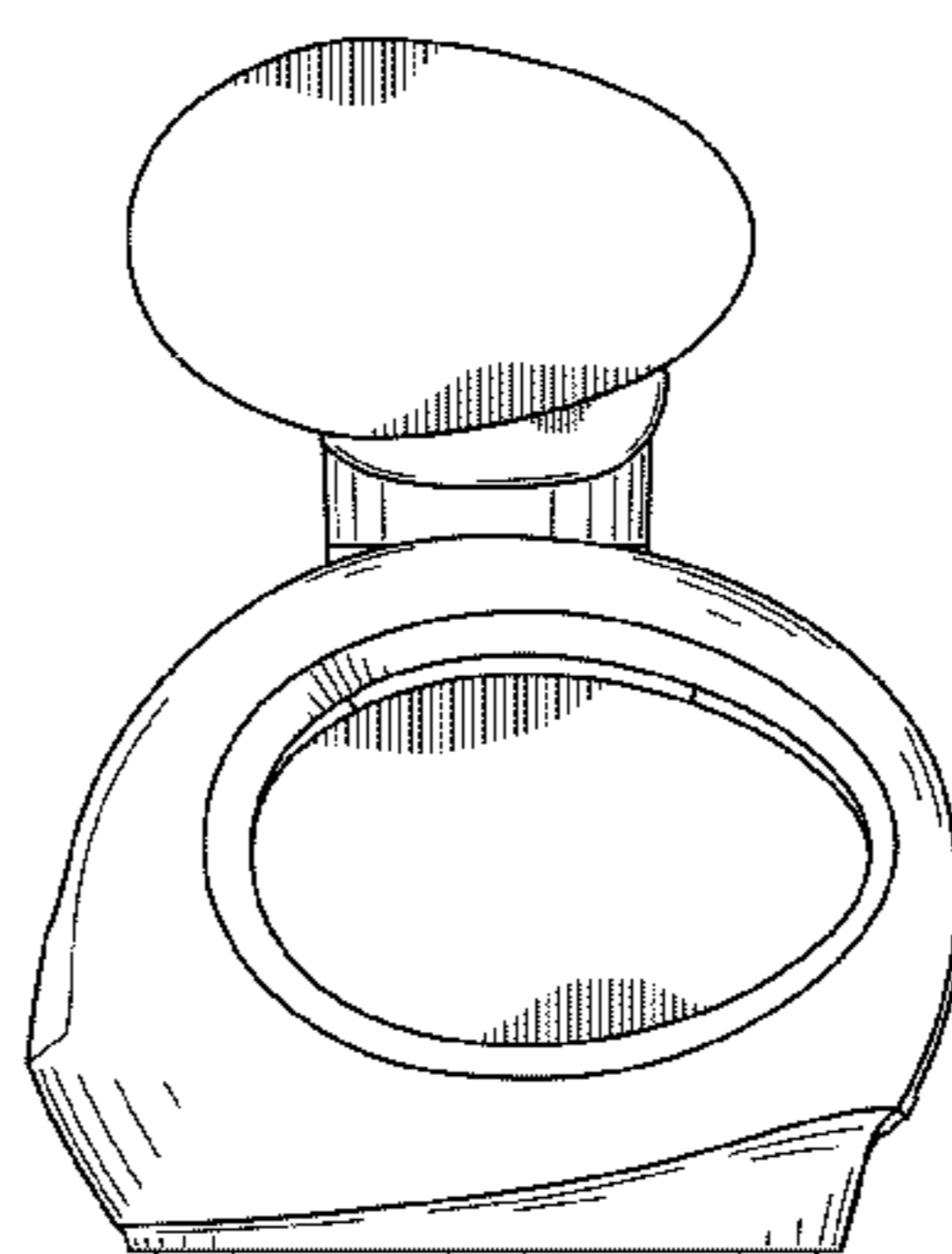
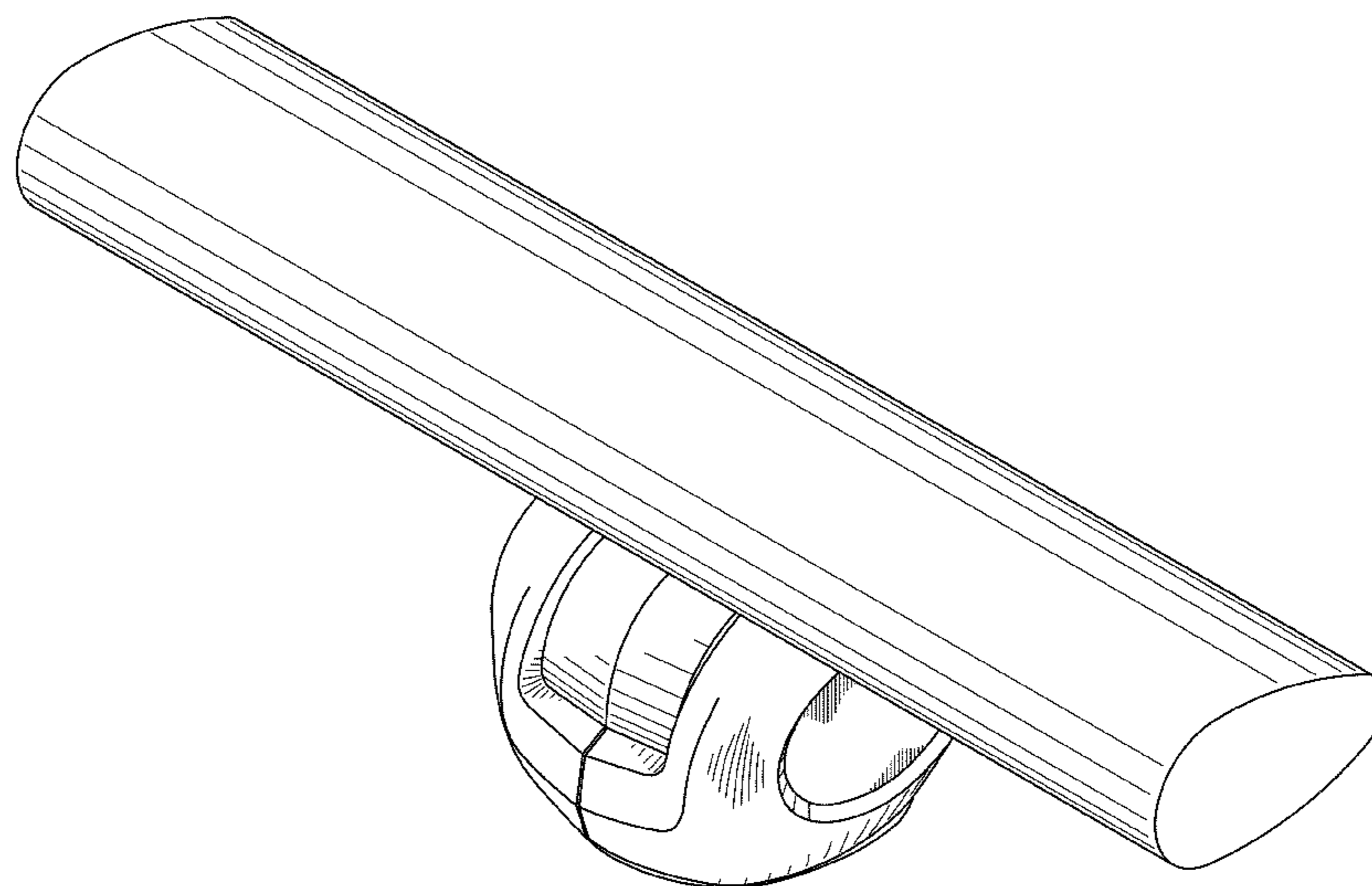
(57) **CLAIM**

The ornamental design for a radar array, as shown and described.

DESCRIPTION

FIG. 1 is a top perspective view of a radar array; FIG. 2 is a front view of the radar array; FIG. 3 is a top view of the radar array; FIG. 4 is a rear view of the radar array; FIG. 5 is a bottom view of the radar array; FIGS. 6 and 7 provide side views of the radar array; and, FIG. 8 is a bottom perspective view of the radar array. Features shown in broken lines in the Figures are provided for illustrative purposes and are not part of the claimed invention.

1 Claim, 7 Drawing Sheets



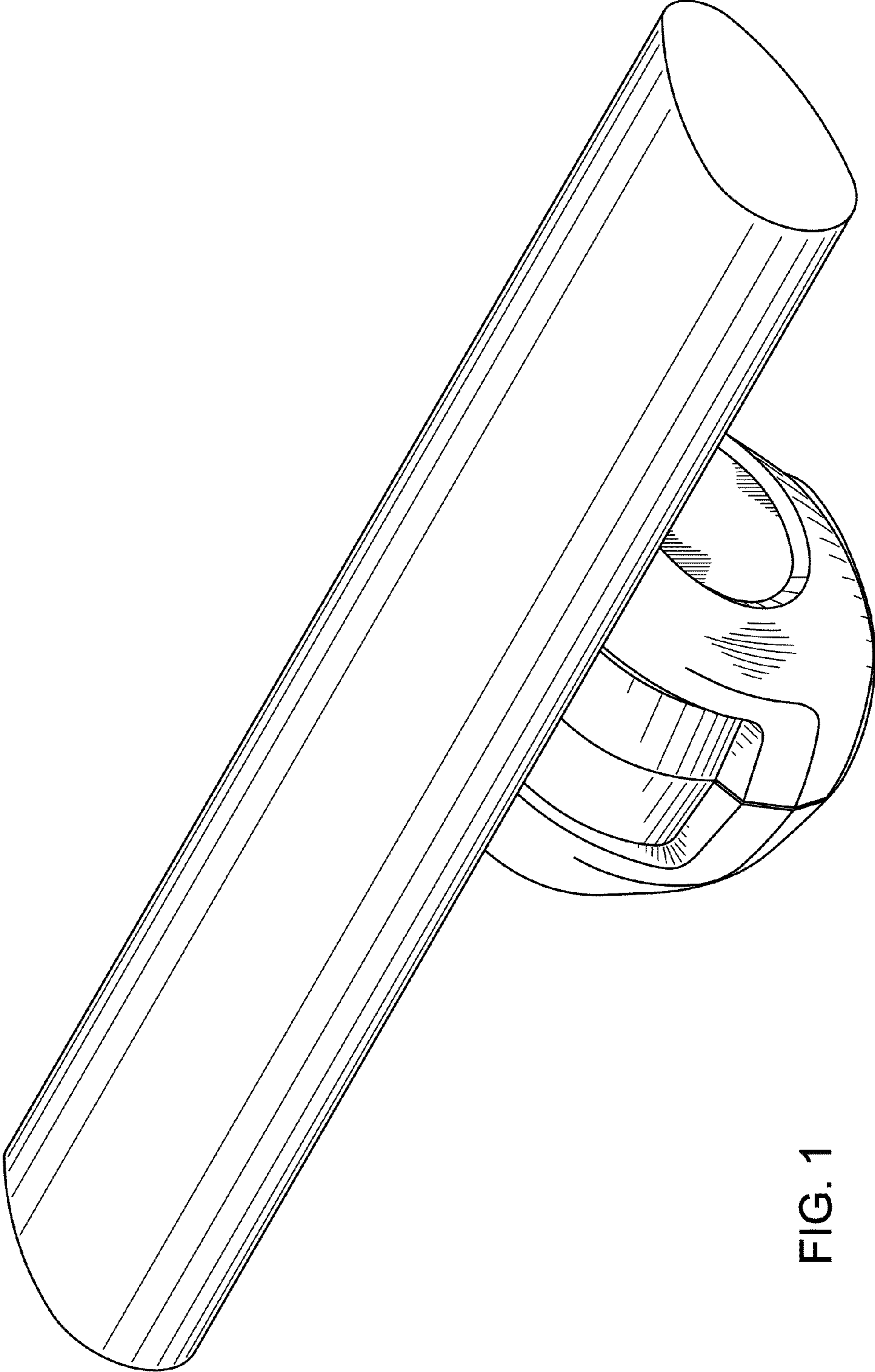


FIG. 1

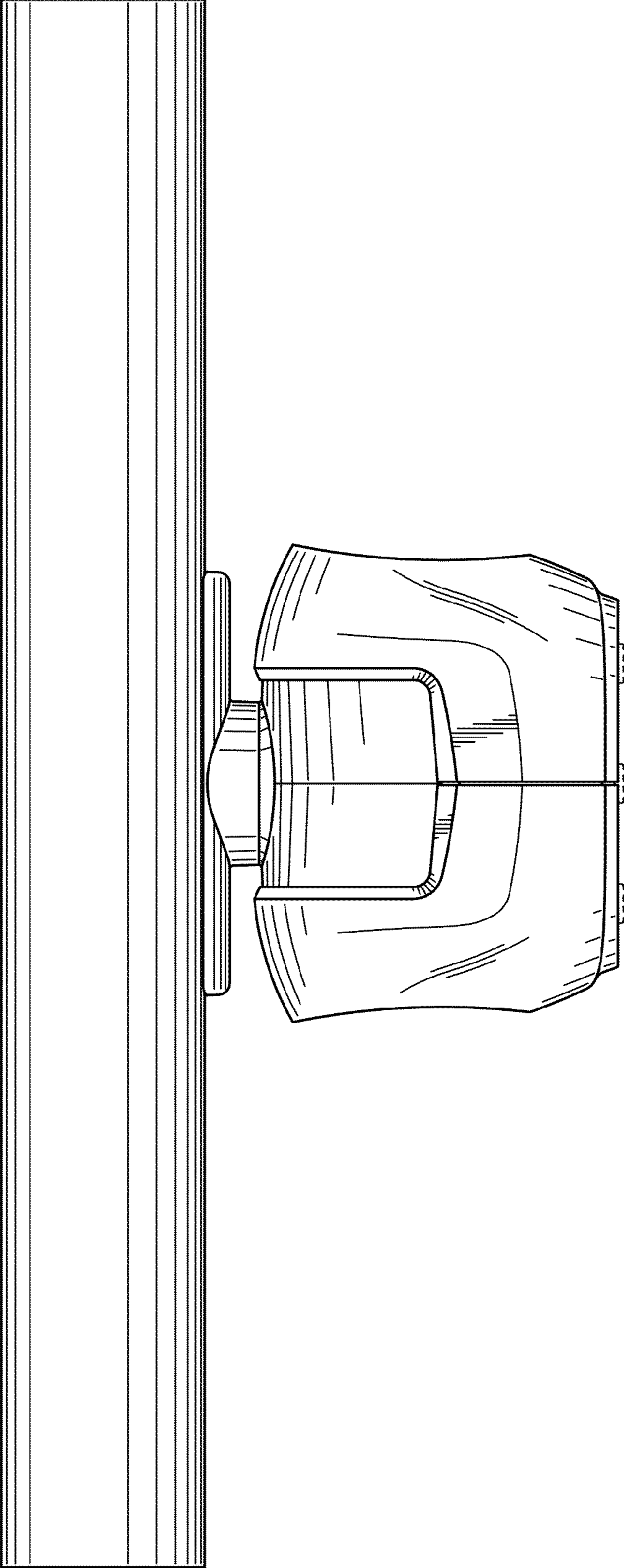


FIG. 2

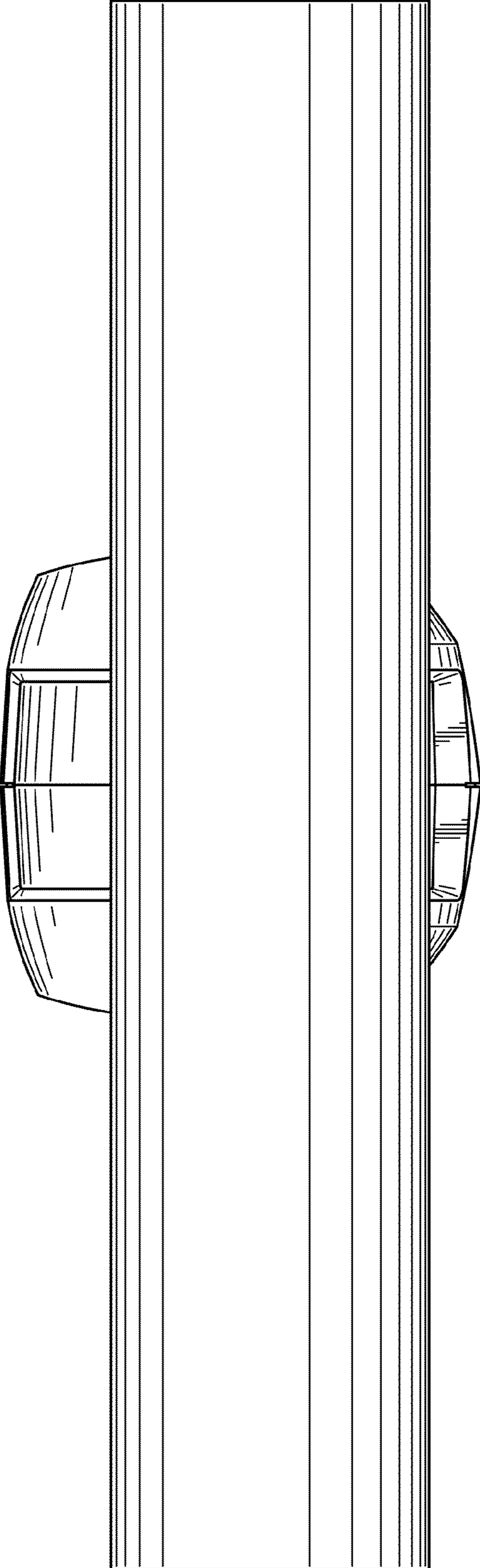


FIG. 3

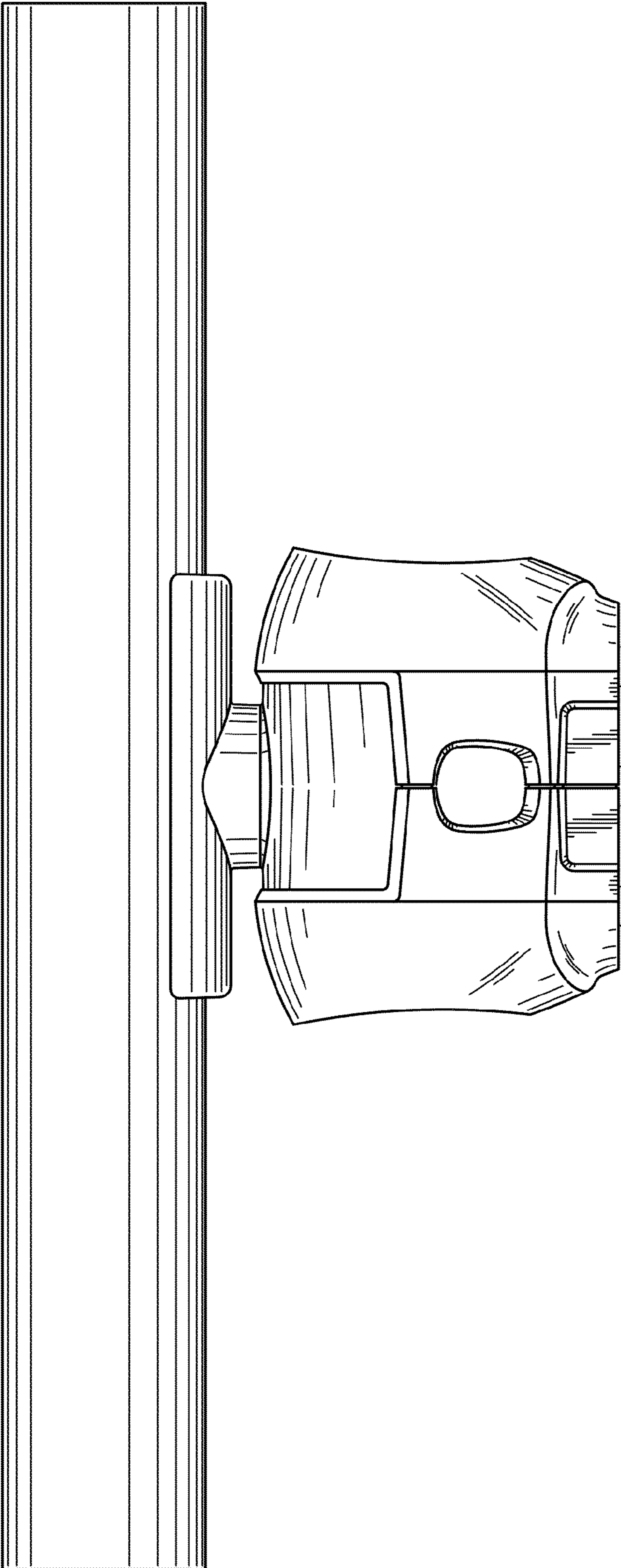


FIG. 4

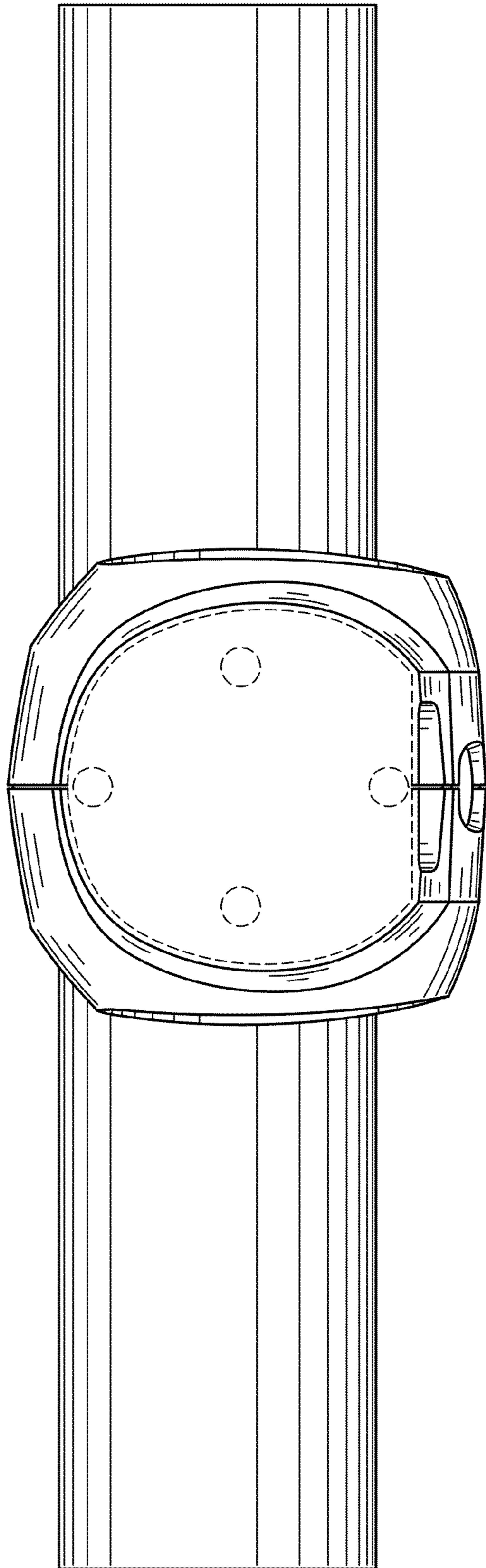


FIG. 5

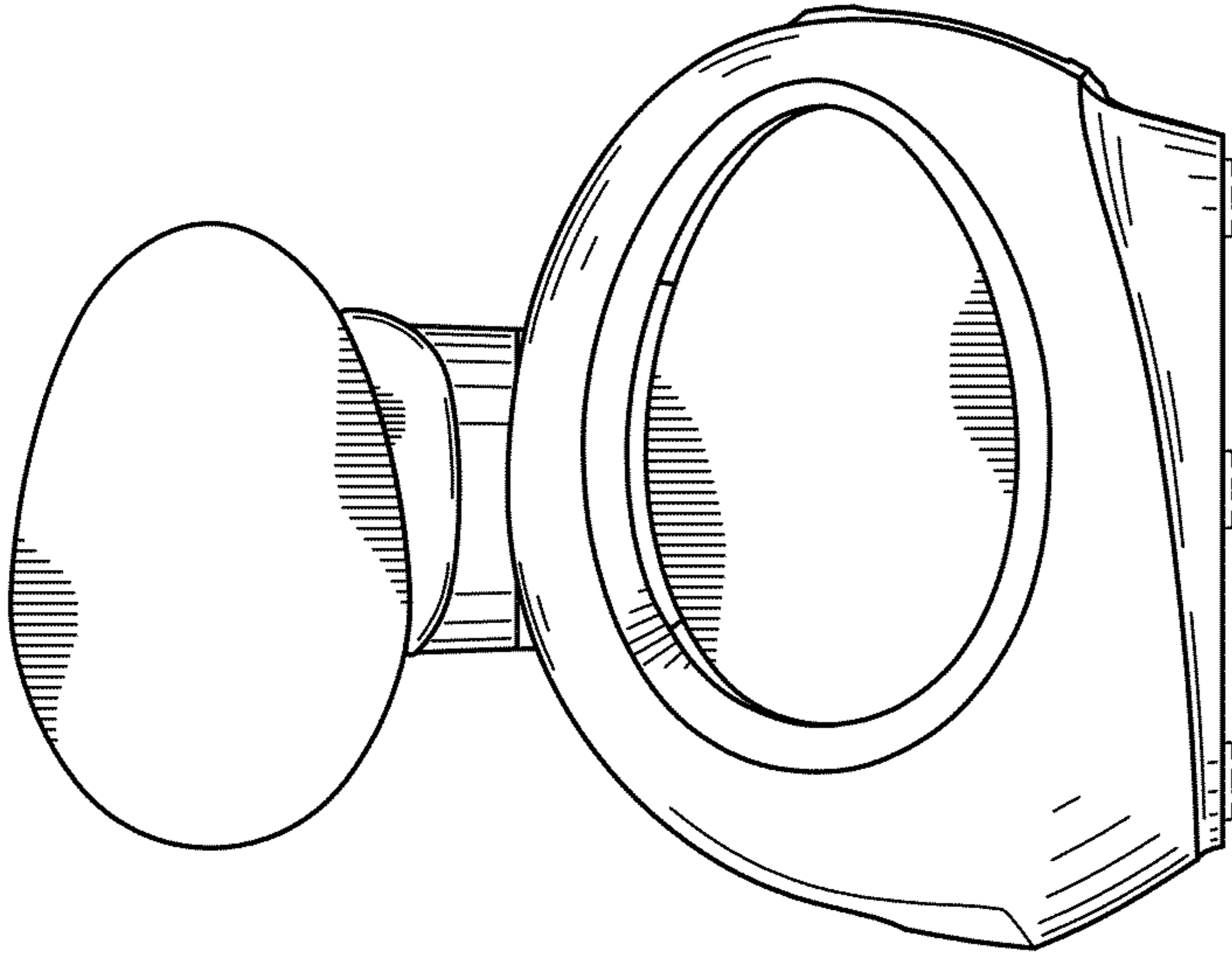


FIG. 7

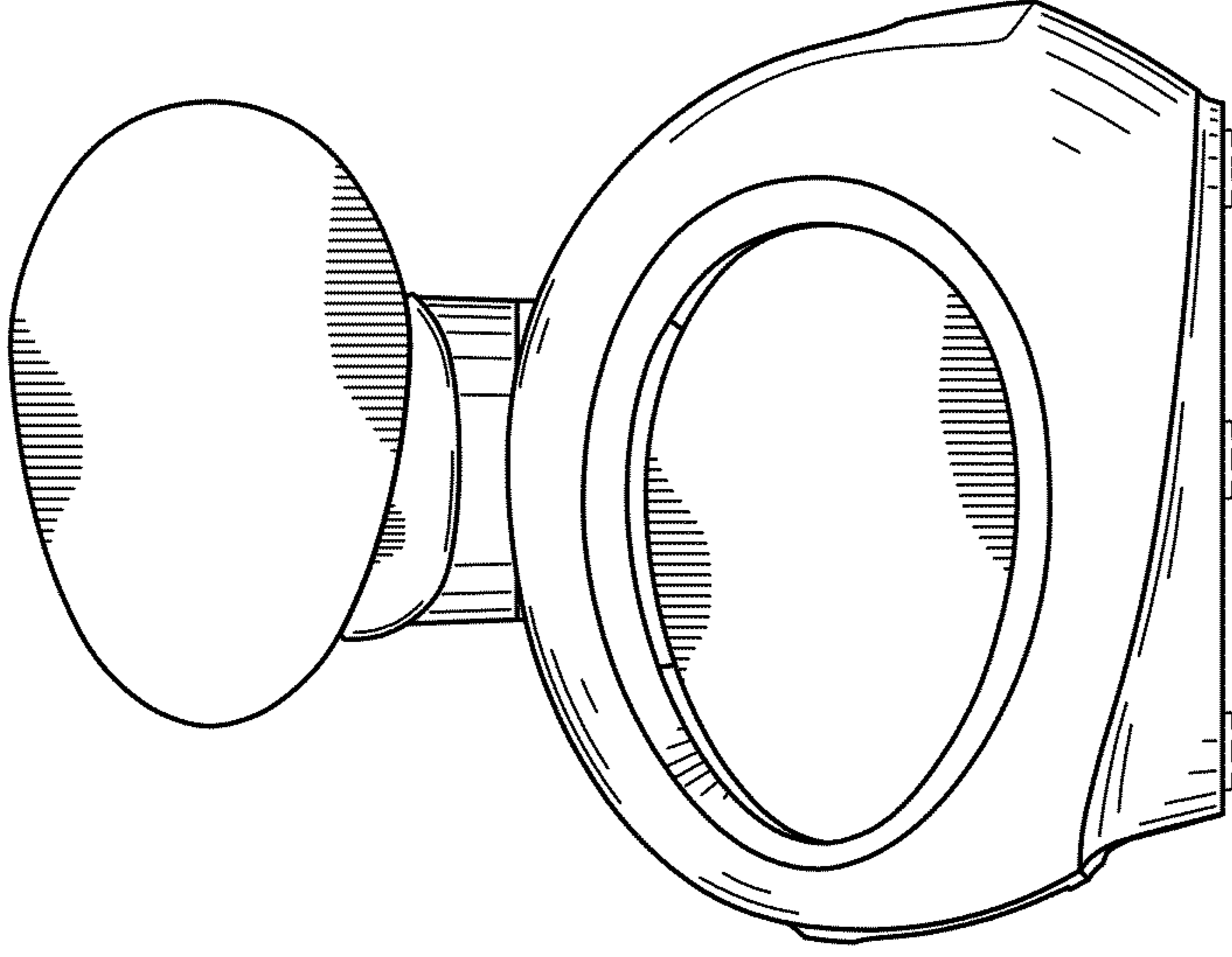


FIG. 6

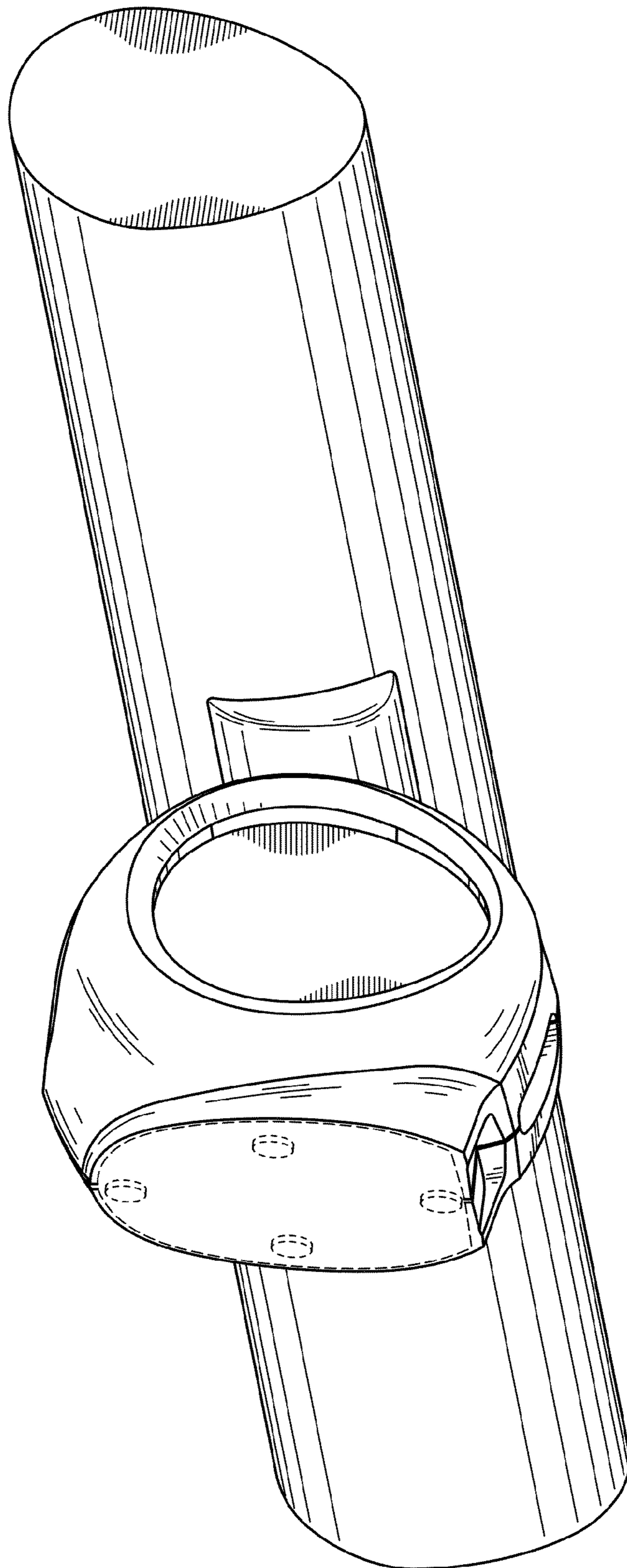


FIG. 8