



US00D738866S

(12) **United States Design Patent**
Podduturi

(10) **Patent No.:** **US D738,866 S**
(45) **Date of Patent:** **** Sep. 15, 2015**

(54) **ANTENNA WITH DOME FORM FACTOR**

(71) Applicant: **World Products, LLC**, Sonoma, CA (US)

(72) Inventor: **Bharadvaj R. Podduturi**, American Canyon, CA (US)

(73) Assignee: **World Products LLC**, Sonoma, CA (US)

(**) Term: **14 Years**

(21) Appl. No.: **29/467,973**

(22) Filed: **Sep. 25, 2013**

(51) **LOC (10) Cl.** **14-03**

(52) **U.S. Cl.**
USPC **D14/230**

(58) **Field of Classification Search**
USPC D14/230–238, 299, 358;
343/700 R–705, 711–713, 871–908;
455/90.2–90.3; 333/193
CPC H01Q 7/00; H01Q 13/10; H01Q 9/285;
H01Q 19/30; H01Q 19/12; H01Q 1/38;
H04B 1/0475; H04B 1/034; H04K 11/00
See application file for complete search history.

(56) **References Cited**

U.S. PATENT DOCUMENTS

2,926,349	A *	2/1960	Jensen	343/840
D210,002	S *	1/1968	Zahn	D29/110
3,922,682	A *	11/1975	Hyde	343/761
D254,520	S *	3/1980	Amirault	D29/109
D387,773	S *	12/1997	Weller et al.	D14/231
D400,888	S *	11/1998	Schutzius	D14/230
5,877,730	A *	3/1999	Foster	343/840
5,926,139	A *	7/1999	Korisch		
D426,234	S *	6/2000	Cunningham et al.	D14/230
6,667,718	B2	12/2003	Back et al.		

(Continued)

FOREIGN PATENT DOCUMENTS

CN 301605367 * 7/2011
JP D1443181 * 6/2012

(Continued)

OTHER PUBLICATIONS

worldproducts.com directional antenna, create date Jun. 20, 2013, online site visited Apr. 29, 2015, <http://www.worldproducts.com/pdfs/Wireless/WPANT30058-RA.pdf>.*

(Continued)

Primary Examiner — John Windmuller

Assistant Examiner — John R Yeh

(74) *Attorney, Agent, or Firm* — Patterson Thuent Pedersen, P.A.

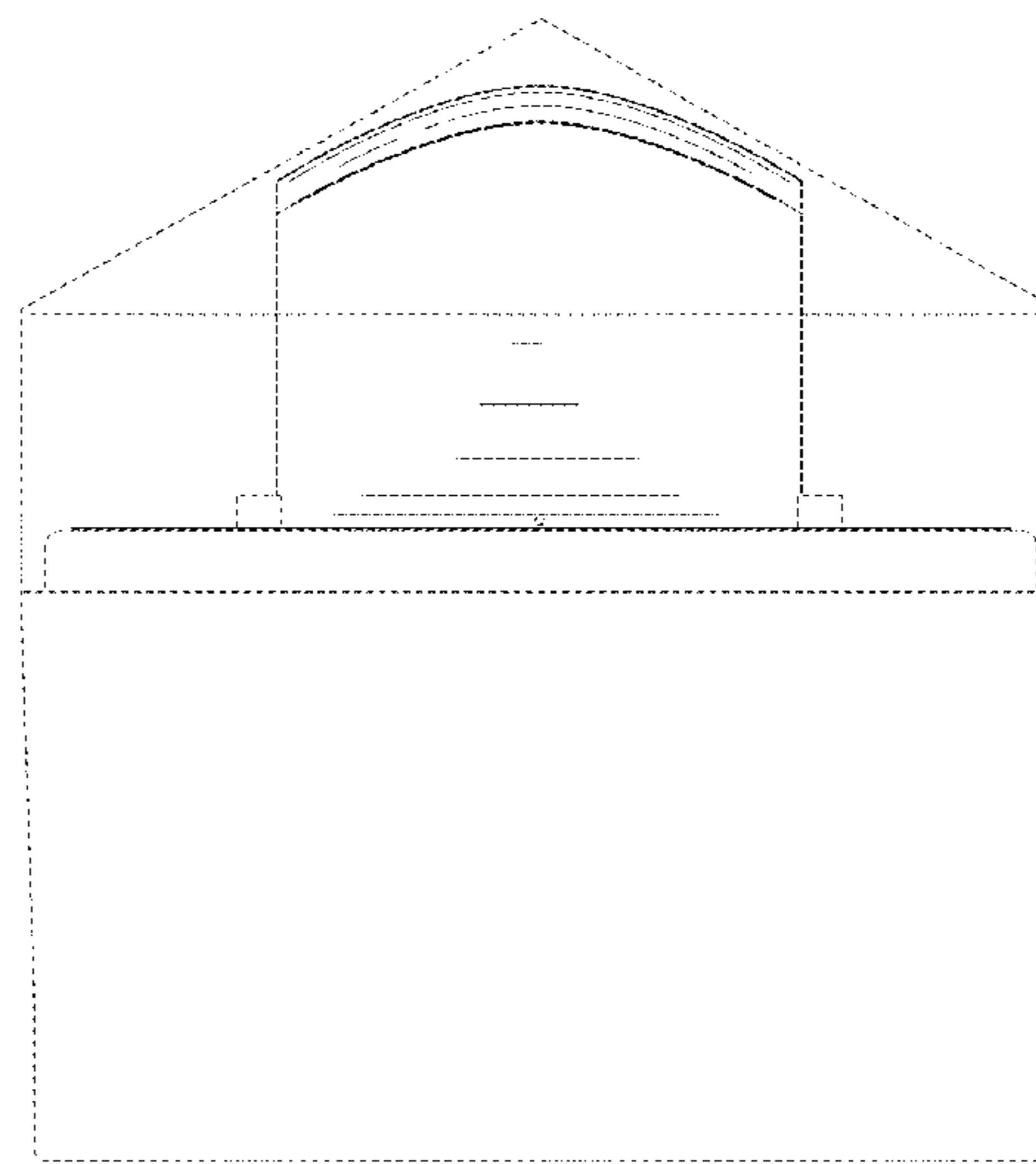
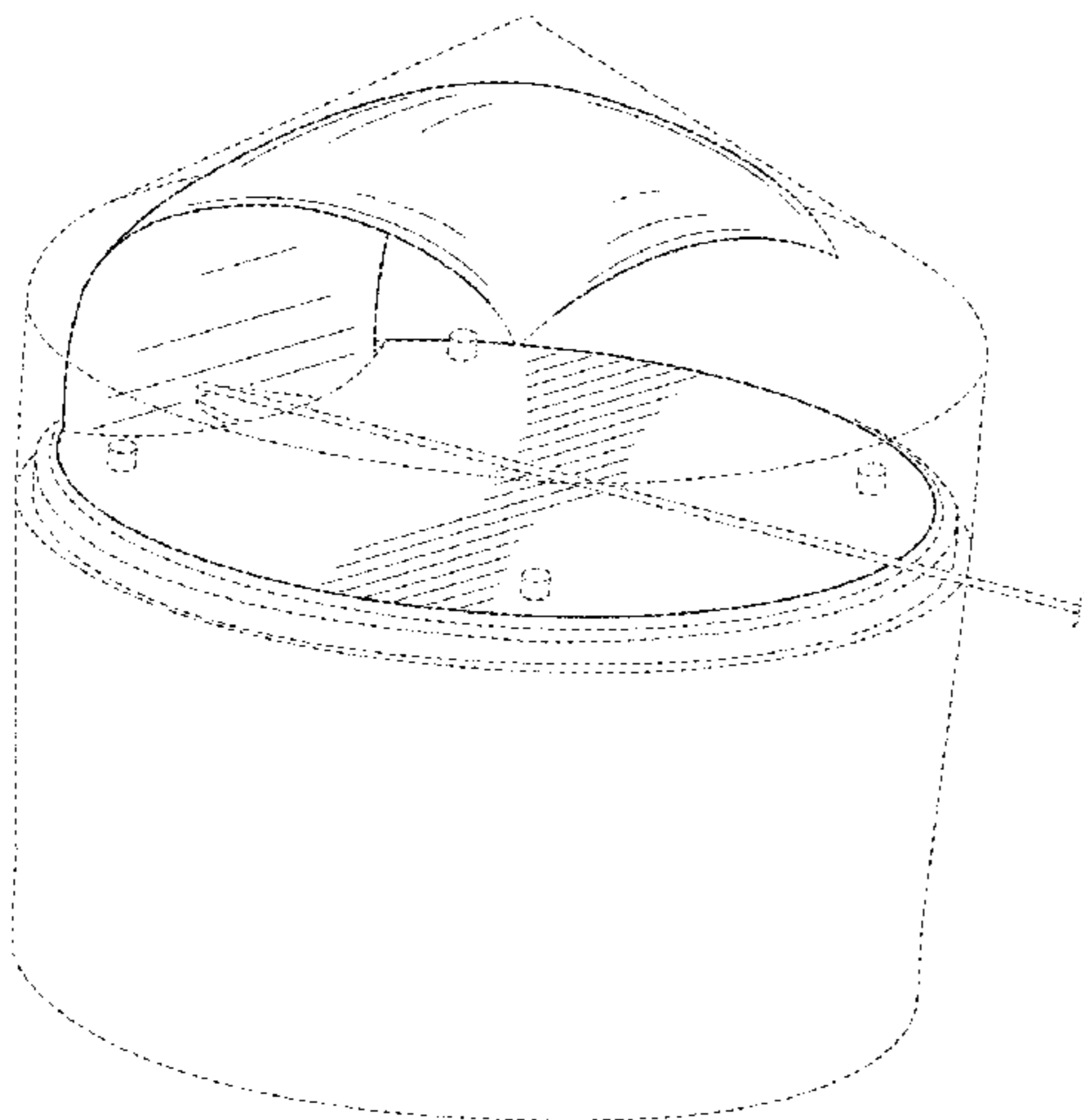
(57) **CLAIM**

I claim the ornamental design for an antenna with dome form factor, as shown and described.

DESCRIPTION

FIG. 1 is a perspective of an antenna with dome form factor; FIG. 2 is a front elevation view of an antenna with dome form factor thereof; FIG. 3 is a side elevation view of an antenna with dome form factor thereof; FIG. 4 is a rear elevation view of an antenna with dome form factor thereof; FIG. 5 is another side elevation view of an antenna with dome form factor, FIG. 5 being a mirror image of FIG. 3 thereof; FIG. 6 is a top plan view of an antenna with dome form factor thereof; and, FIG. 7 is a bottom plan view of an antenna with dome form factor thereof. The broken lines illustrate portions of the antenna which form no part of the claimed invention.

1 Claim, 7 Drawing Sheets



(56)

References Cited

U.S. PATENT DOCUMENTS

7,215,294 B2 * 5/2007 Jocher 343/773
 D617,319 S * 6/2010 Maffetone et al. D14/230
 D623,632 S 9/2010 Montgomery et al.
 7,804,450 B2 9/2010 Sullivan et al.
 D630,194 S 1/2011 Tsai et al.
 D635,965 S 4/2011 Mi et al.
 D649,962 S 12/2011 Tseng et al.
 D670,276 S 11/2012 Mi et al.
 D683,720 S 6/2013 Quinlan et al.
 D684,564 S 6/2013 Forster
 D684,565 S 6/2013 Wei
 D690,289 S 9/2013 Zuniga
 8,704,717 B2 * 4/2014 Kosnik 343/704
 2002/0036897 A1 * 3/2002 Nakajima et al. 361/752
 2004/0090377 A1 5/2004 Dai et al.
 2004/0239574 A1 * 12/2004 Zeiher et al. 343/757
 2008/0074330 A1 * 3/2008 Lin 343/702
 2008/0246683 A1 * 10/2008 Christ 343/873
 2008/0266202 A1 10/2008 Lin et al.
 2009/0128262 A1 * 5/2009 Lee et al. 333/219.1
 2015/0023517 A1 * 1/2015 Mizrahi 381/74

FOREIGN PATENT DOCUMENTS

KR 300428727.0000 * 10/2006
 KR 300634060.0000 * 3/2012

OTHER PUBLICATIONS

Signalized™ In-Building International Wireless Cellular Booster Repeater System, online, site visited Apr. 29, 2015, http://bestcelld-ist.com/index.php?main_page=product_info&cPath=102&products_id=54946&zenid=8b27058b8c5414880ebc1b6a6500ef67.
 Satellite Radio Antenna XM-50 (DA-233-XM-50)—Navigate The Sea, google publish date Nov. 10, 2008, online, site visited Apr. 29, 2015, https://www.google.com/...ch?q=DA-233-XM-50+Satellite+Radio+Antenna&sourceid=ie7&rls=com.microsoft:en-us:IE-Address&ie=&oe=&gws_rd=ssl&as_qdr=y15.
 worldproducts.com directional antenna, create date May 27, 2014, online, site visited Apr. 29, 2015, <http://www.worldproducts.com/pdfs/Wireless/WPANTDP081-S2C.pdf>.

* cited by examiner

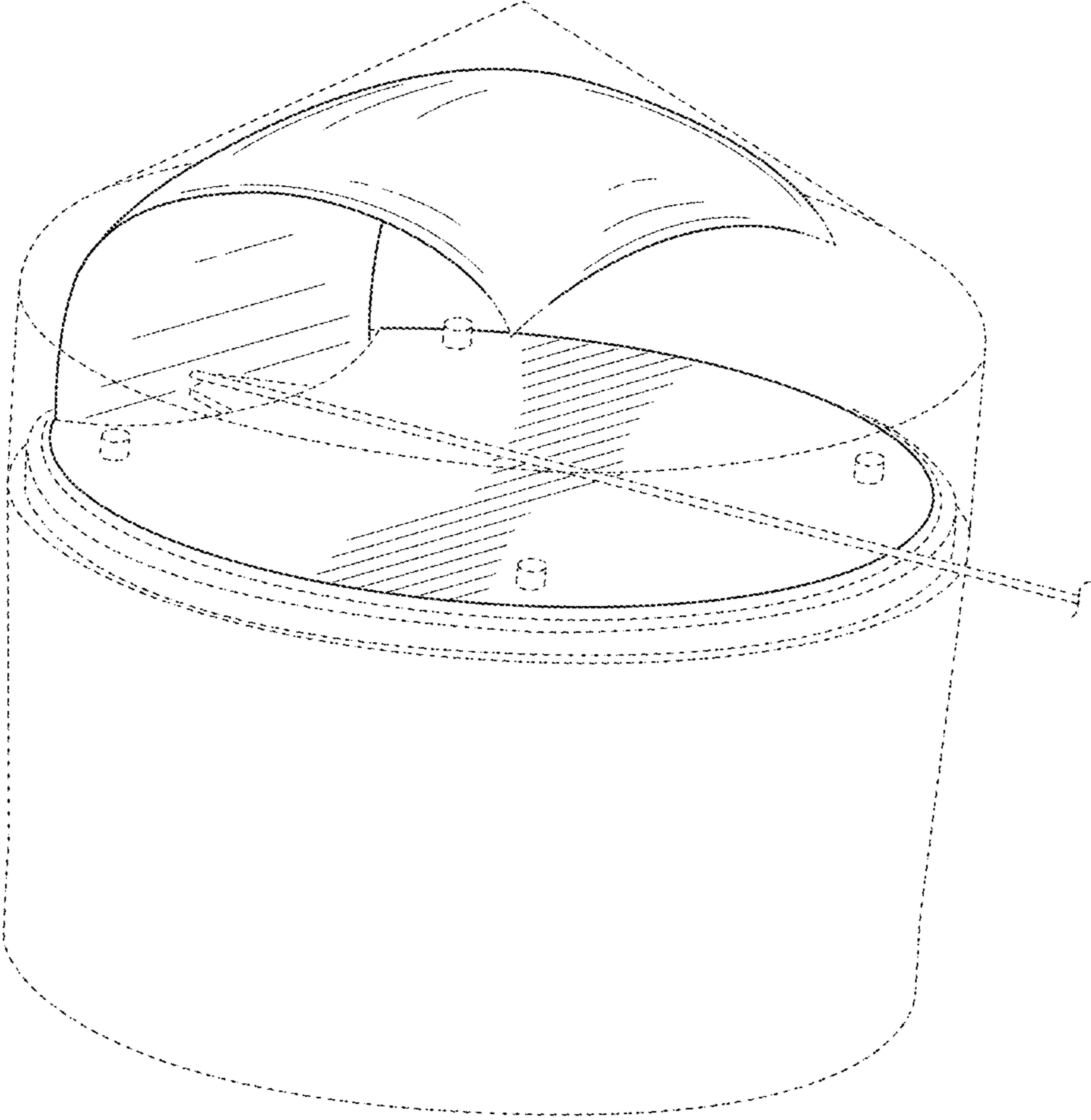


FIG. 1

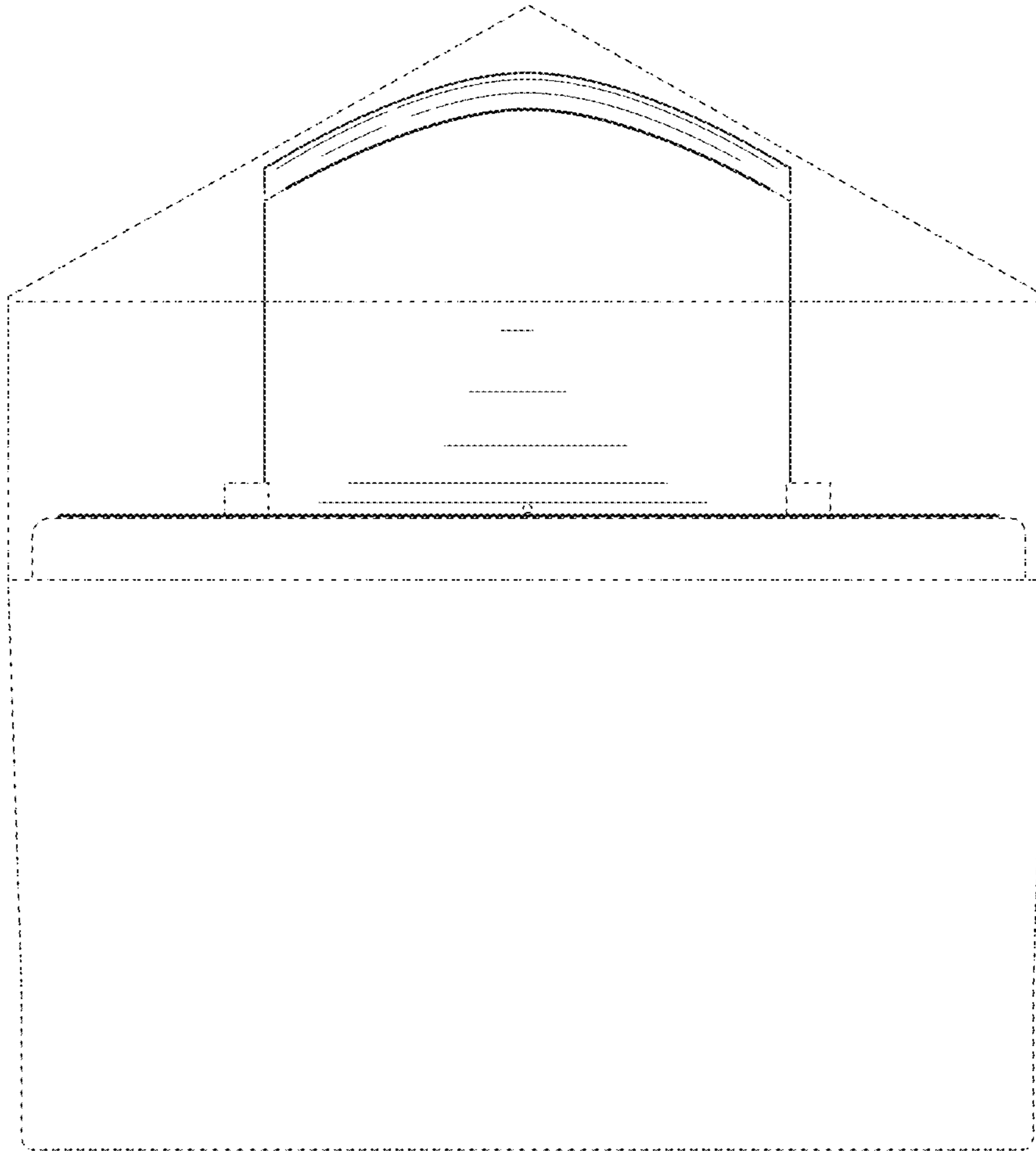


FIG. 2

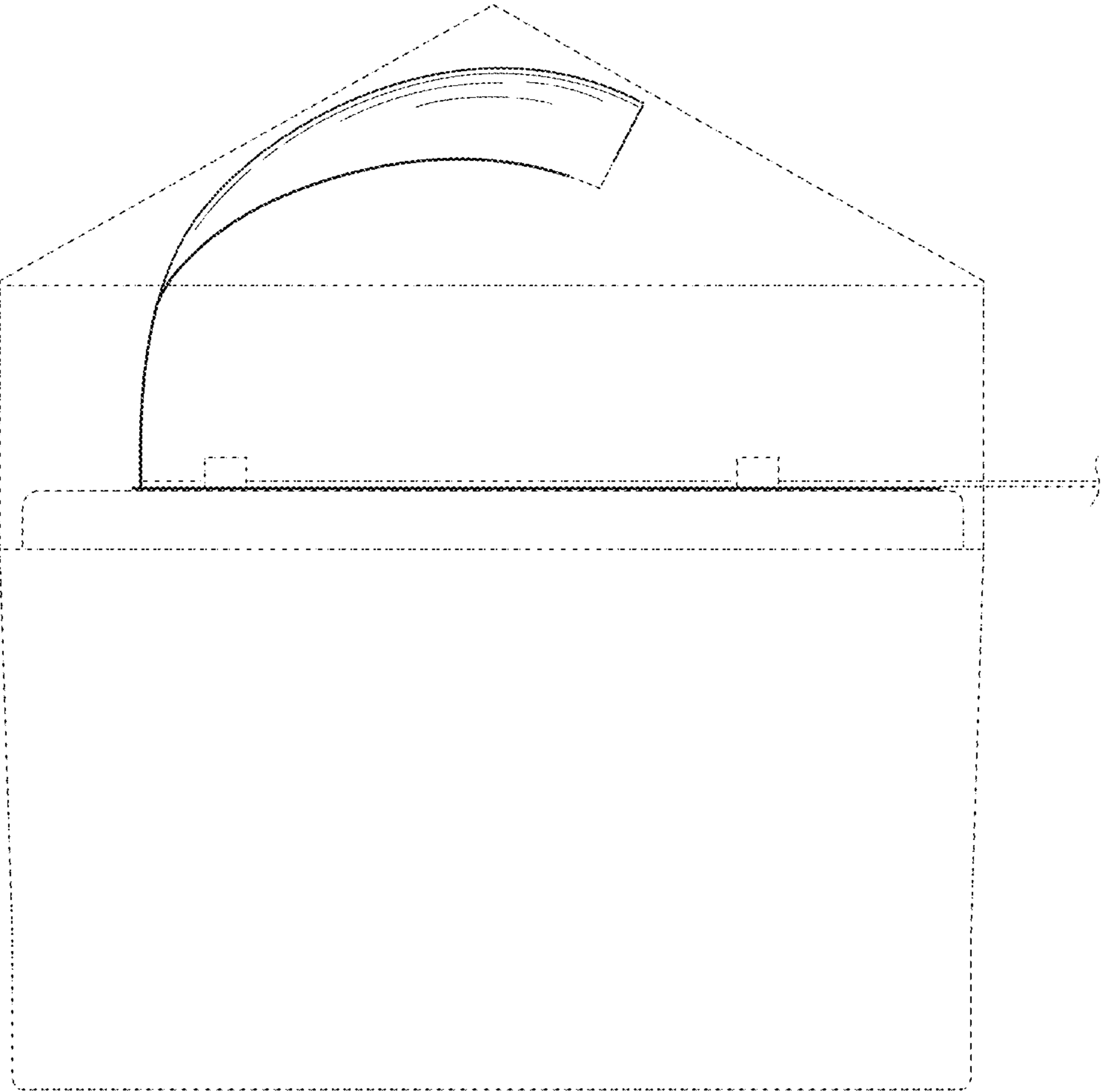


FIG. 3

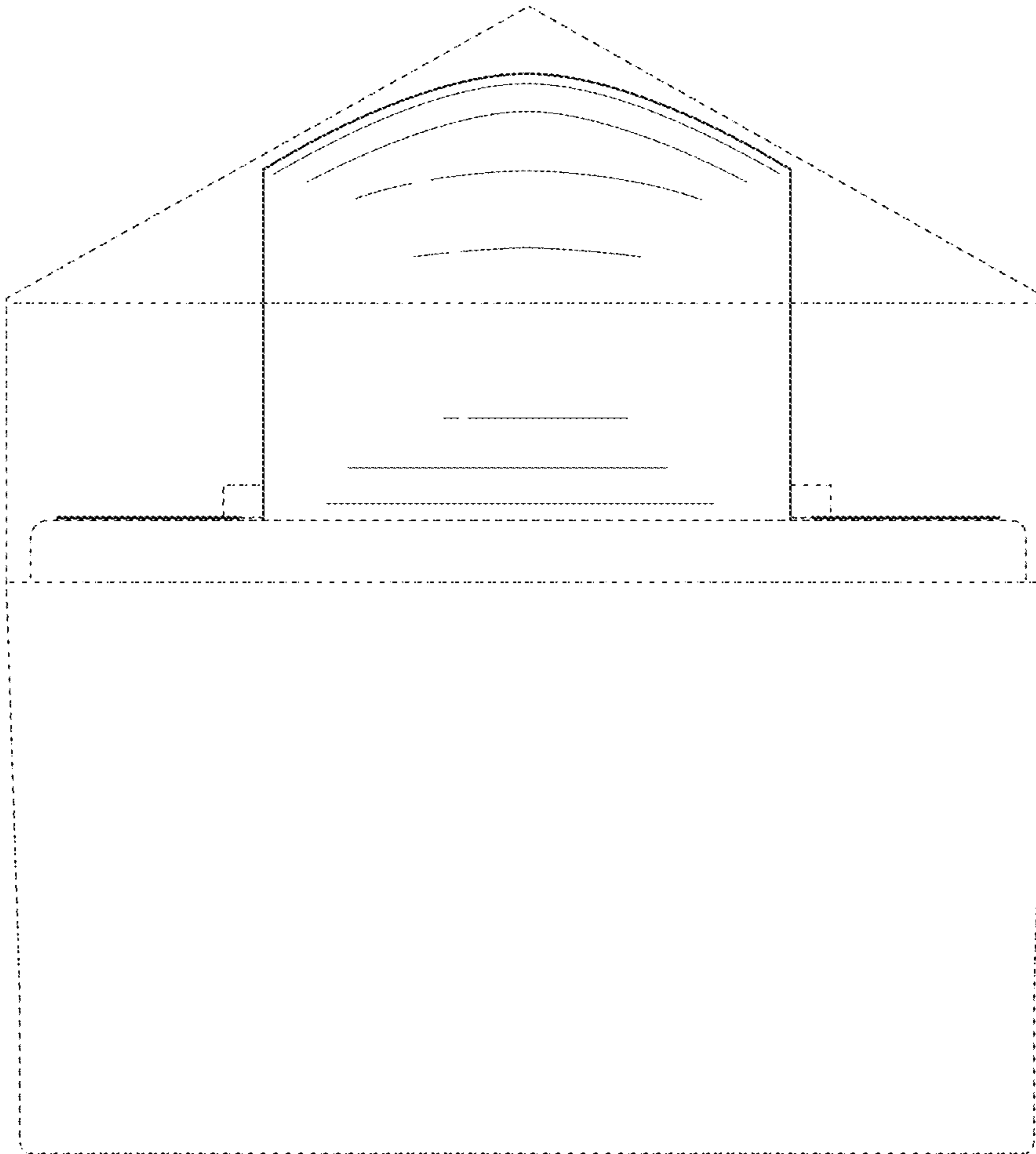


FIG. 4

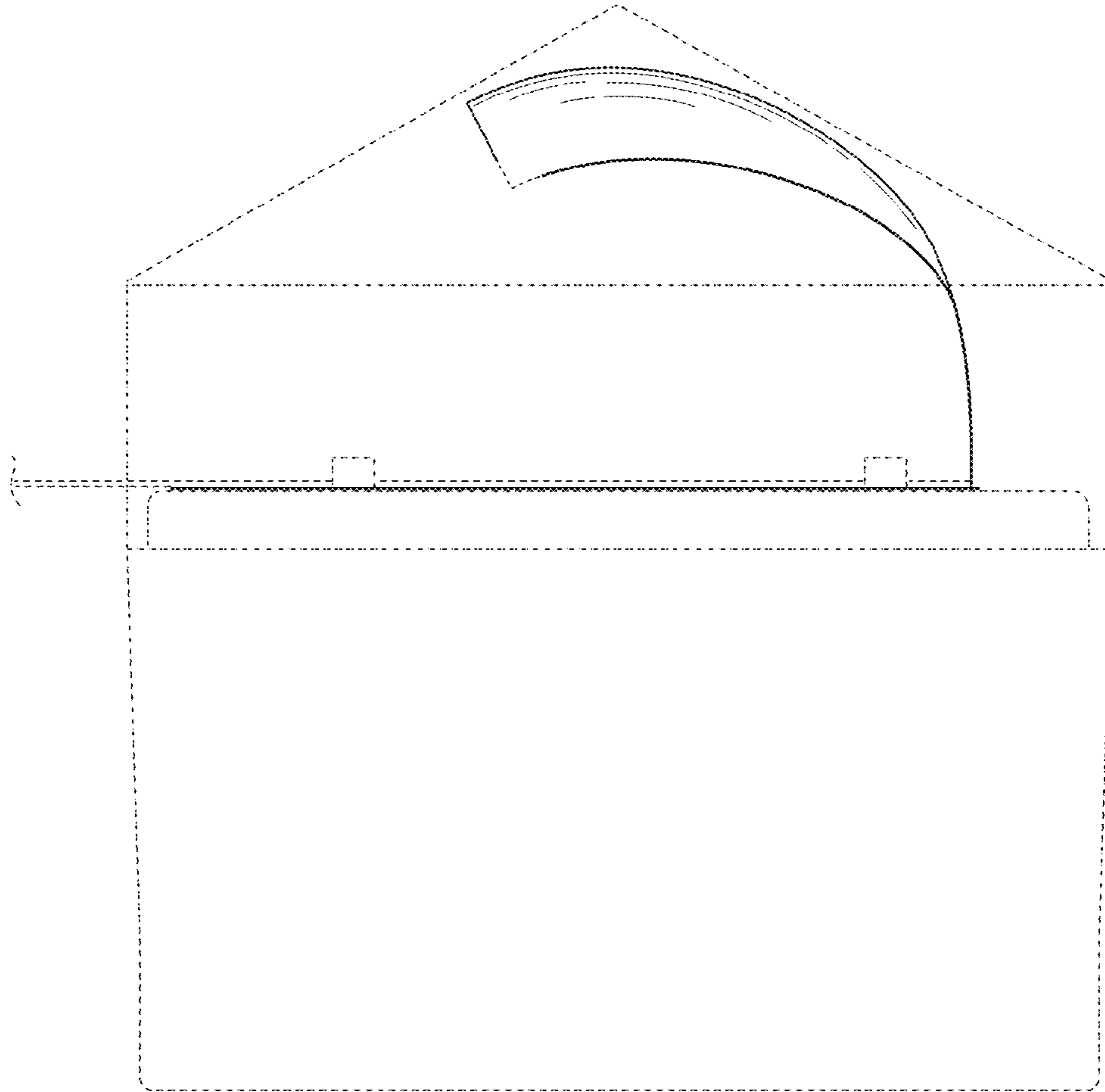


FIG. 5

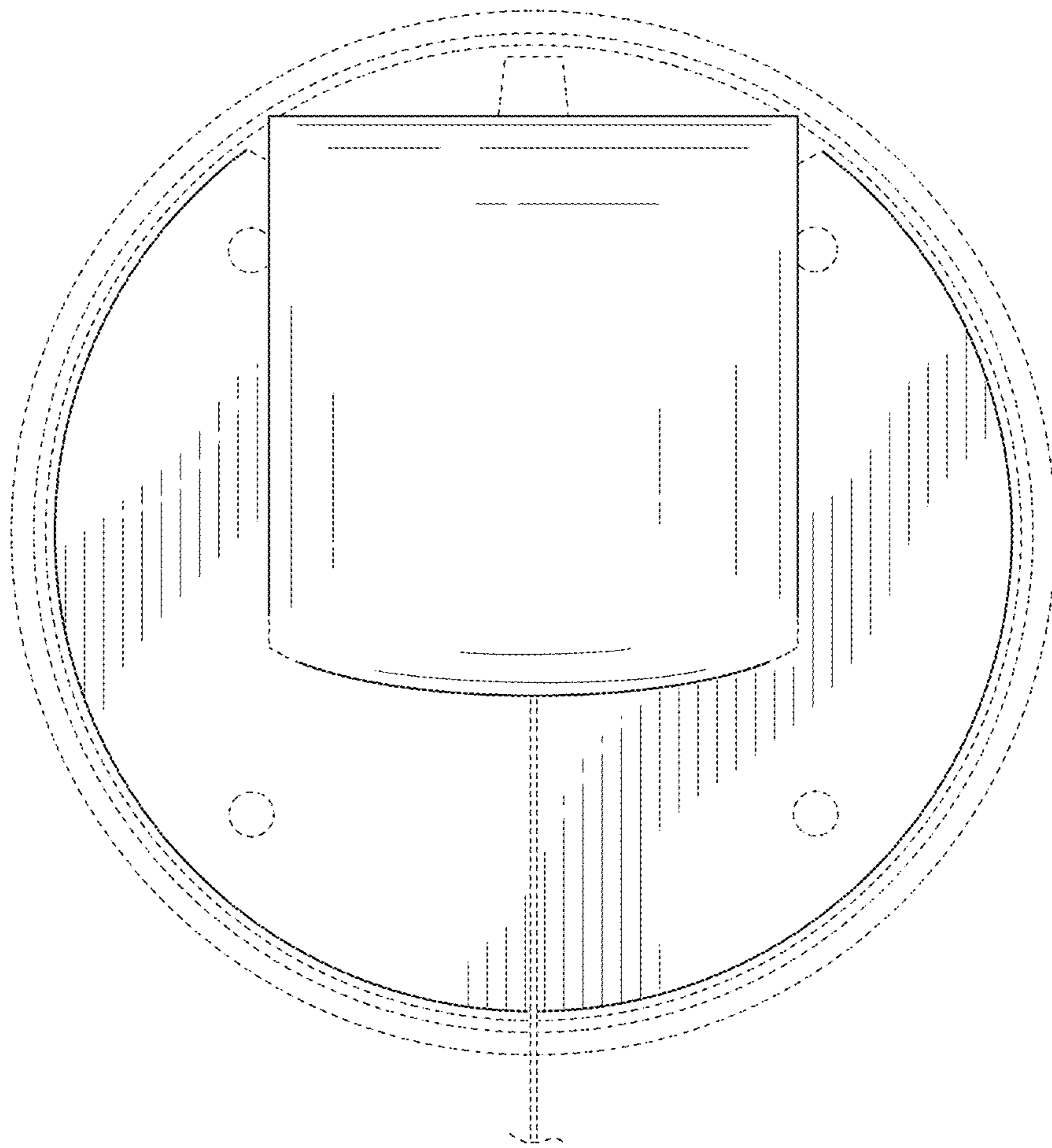


FIG. 6

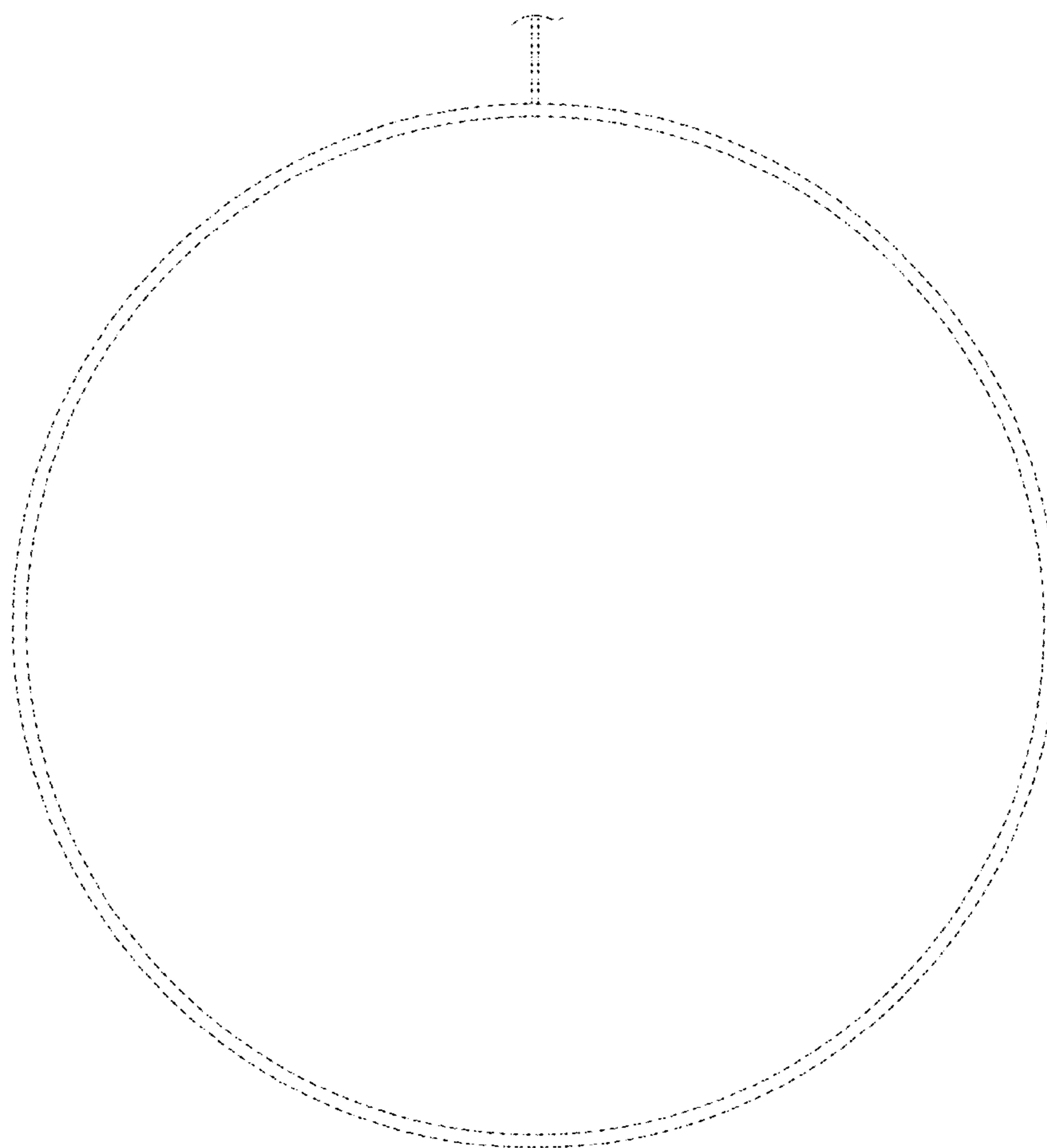


FIG. 7