



US00D738865S

(12) **United States Design Patent**
Moon et al.

(10) **Patent No.:** **US D738,865 S**

(45) **Date of Patent:** **** Sep. 15, 2015**

(54) **SPEAKER**

2400/07; H04R 2499/11; H04R 2499/13;
H04R 2499/15; H04S 3/00; H04S 7/30

(71) Applicant: **Samsung Electronics Co., Ltd.**,
Suwon-Si, Gyeonggi-Do (KR)

See application file for complete search history.

(72) Inventors: **Sinwi Moon**, Jeju (KR); **Sungjin Ann**,
Seoul (KR)

(56) **References Cited**

(73) Assignee: **Samsung Electronics Co., Ltd.**,
Gyeonggi-Do (KR)

U.S. PATENT DOCUMENTS

(**) Term: **14 Years**

D538,258 S *	3/2007	Ishibashi	D14/168
D538,260 S *	3/2007	Wada	D14/188
D622,259 S *	8/2010	Joseph et al.	D14/171
D645,841 S *	9/2011	Joseph	D14/171
D711,855 S *	8/2014	Shin et al.	D14/221
D711,856 S *	8/2014	Kim et al.	D14/221
D723,517 S *	3/2015	Moon et al.	D14/215

(21) Appl. No.: **29/457,781**

* cited by examiner

(22) Filed: **Jun. 13, 2013**

Primary Examiner — Keli L Hill

(30) **Foreign Application Priority Data**

(74) *Attorney, Agent, or Firm* — Harness, Dickey & Pierce,
P.L.C.

Dec. 13, 2012 (KR) 30-2012-0060272

(51) **LOC (10) Cl.** **14-03**

(57) **CLAIM**

(52) **U.S. Cl.**

The ornamental design for a speaker, as shown and described.

USPC **D14/224**; D14/211; D14/221

DESCRIPTION

(58) **Field of Classification Search**

USPC D14/167, 168, 170–172, 188, 194–196,
D14/204, 207, 209.1, 210–216, 219, 221,
D14/222, 224, 496; 181/143, 144, 147, 148,
181/150, 153, 157, 198, 199; 381/300–303,
381/306, 332, 333, 336, 345, 361–364,
381/386–388; 369/6–12

FIG. 1 is the perspective view of a speaker showing my new design;
FIG. 2 is the front view thereof;
FIG. 3 is the rear view thereof;
FIG. 4 is the left-side view thereof;
FIG. 5 is the right-side view thereof;
FIG. 6 is the top plan view thereof;
FIG. 7 is the bottom plan view thereof; and,
FIG. 8 illustrates the speaker in use.

CPC B60R 11/0217; G06F 1/1688; H04M 1/03;
H04M 1/035; H04R 1/02; H04R 1/06; H04R
1/021; H04R 1/025; H04R 1/026; H04R
1/028; H04R 1/105; H04R 1/323; H04R
1/403; H04R 1/2803; H04R 1/2834; H04R
5/02; H04R 7/20; H04R 9/06; H04R 9/025;
H04R 2201/021; H04R 2400/00; H04R

The broken lines are for illustrative purposes only and form no part of the claimed design.

1 Claim, 6 Drawing Sheets

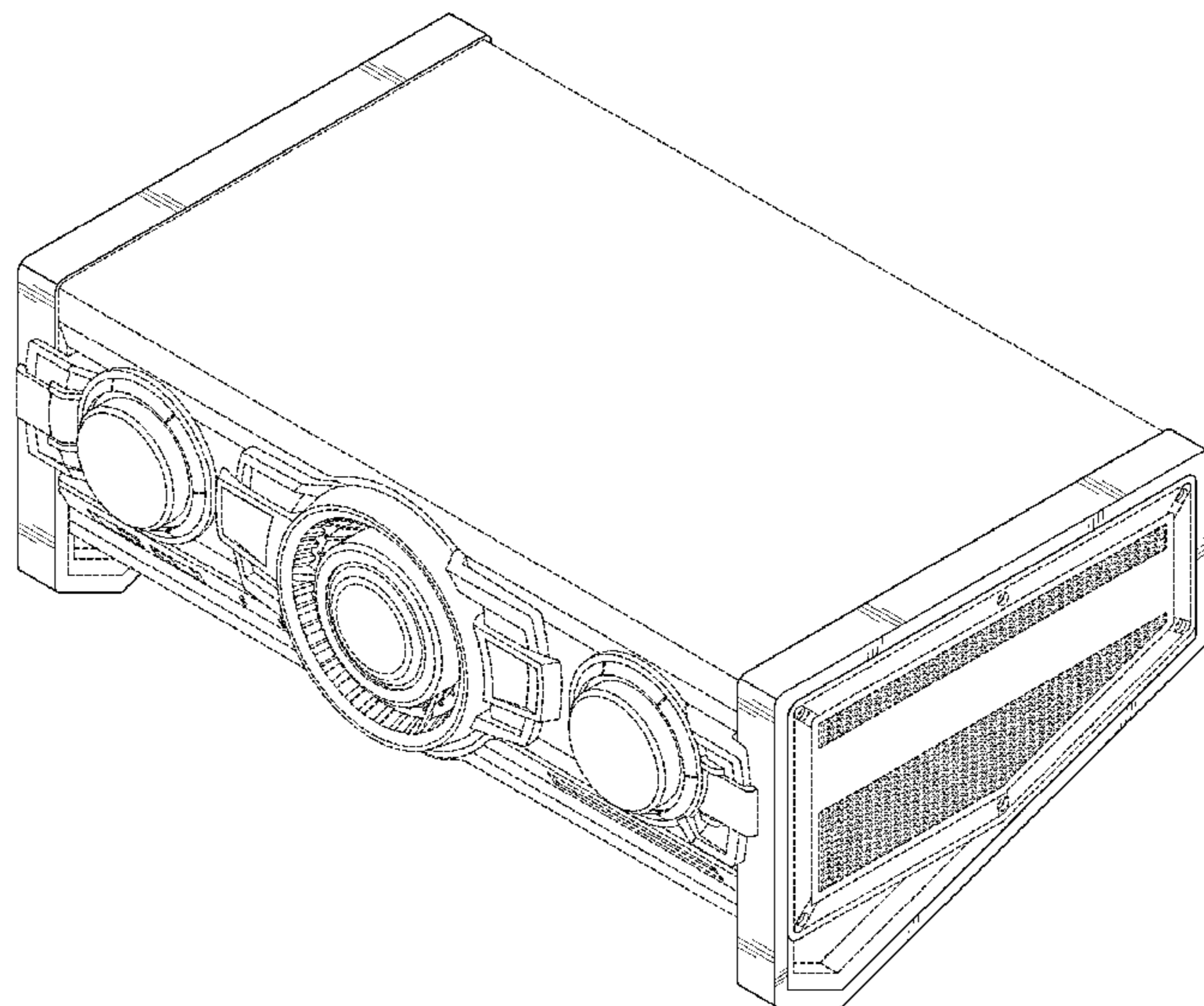


FIG. 1

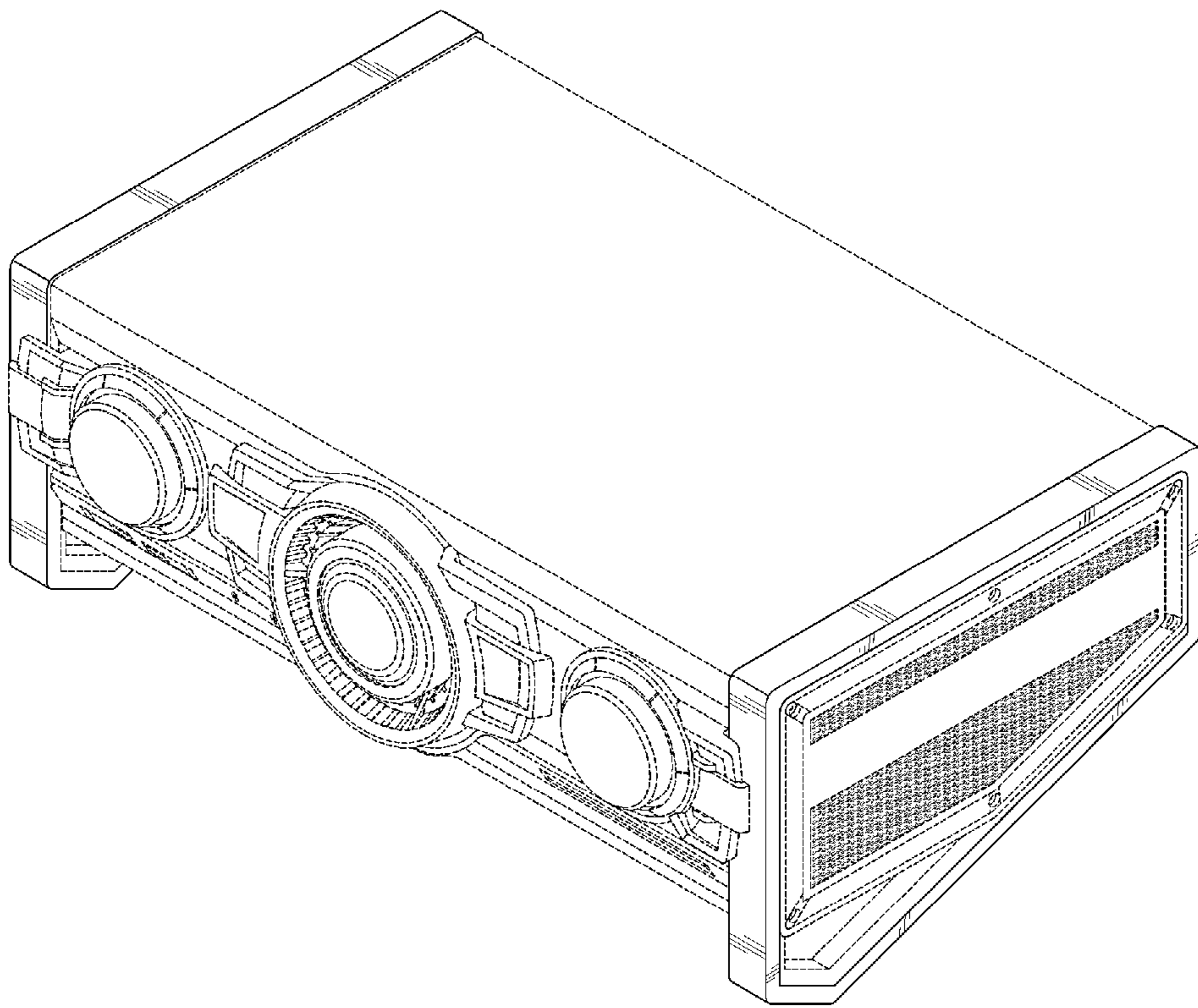


FIG. 2

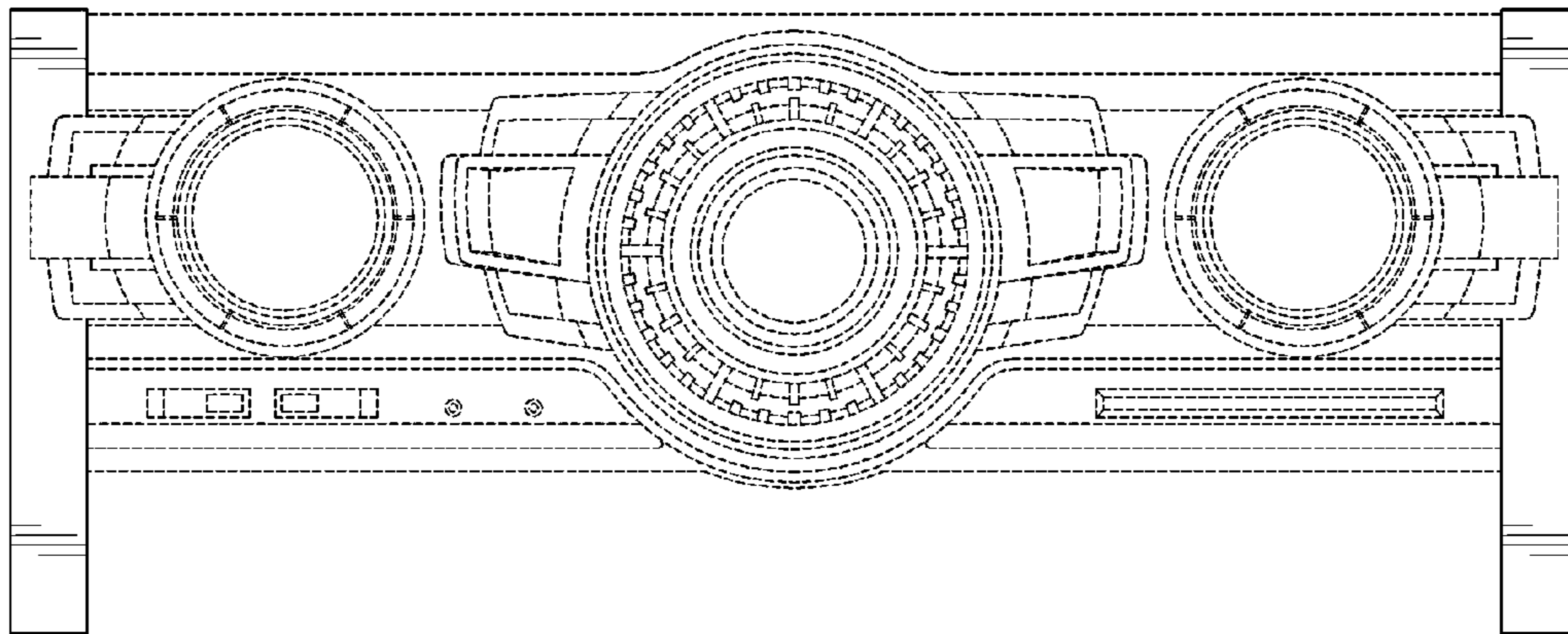


FIG. 3

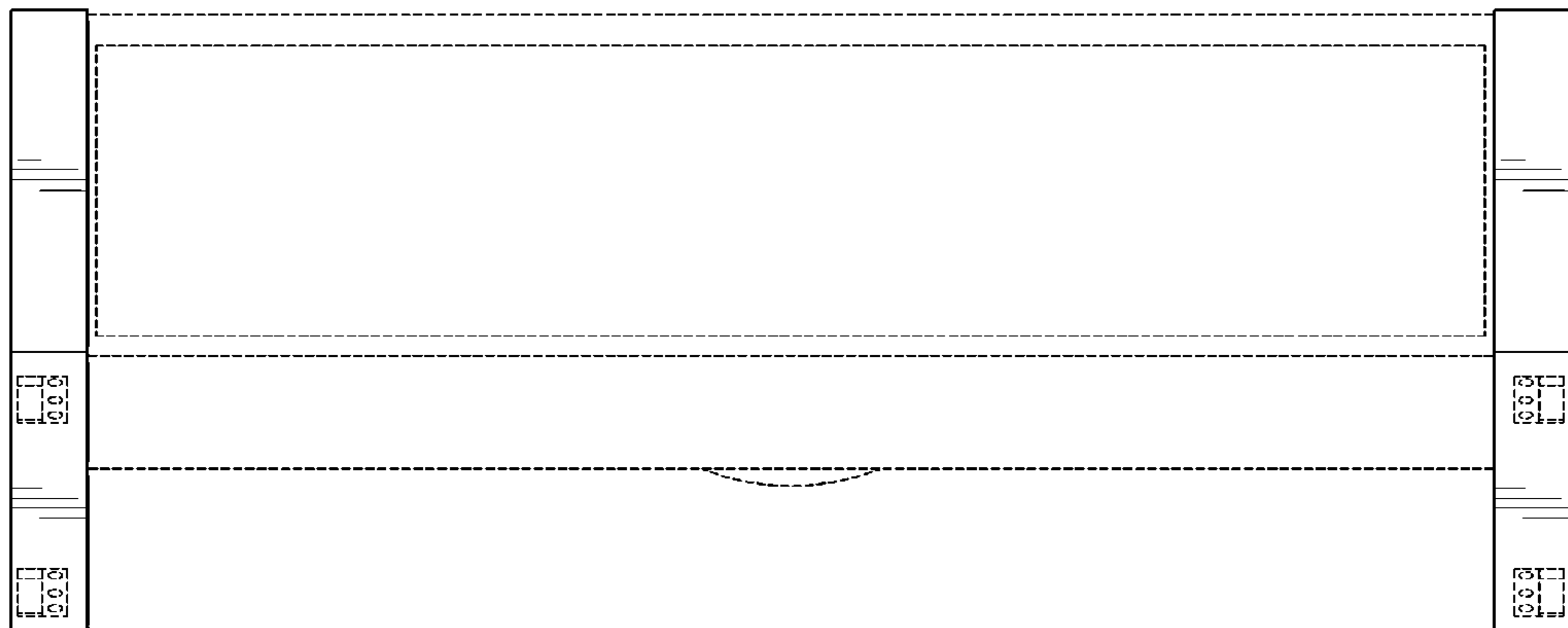


FIG. 4

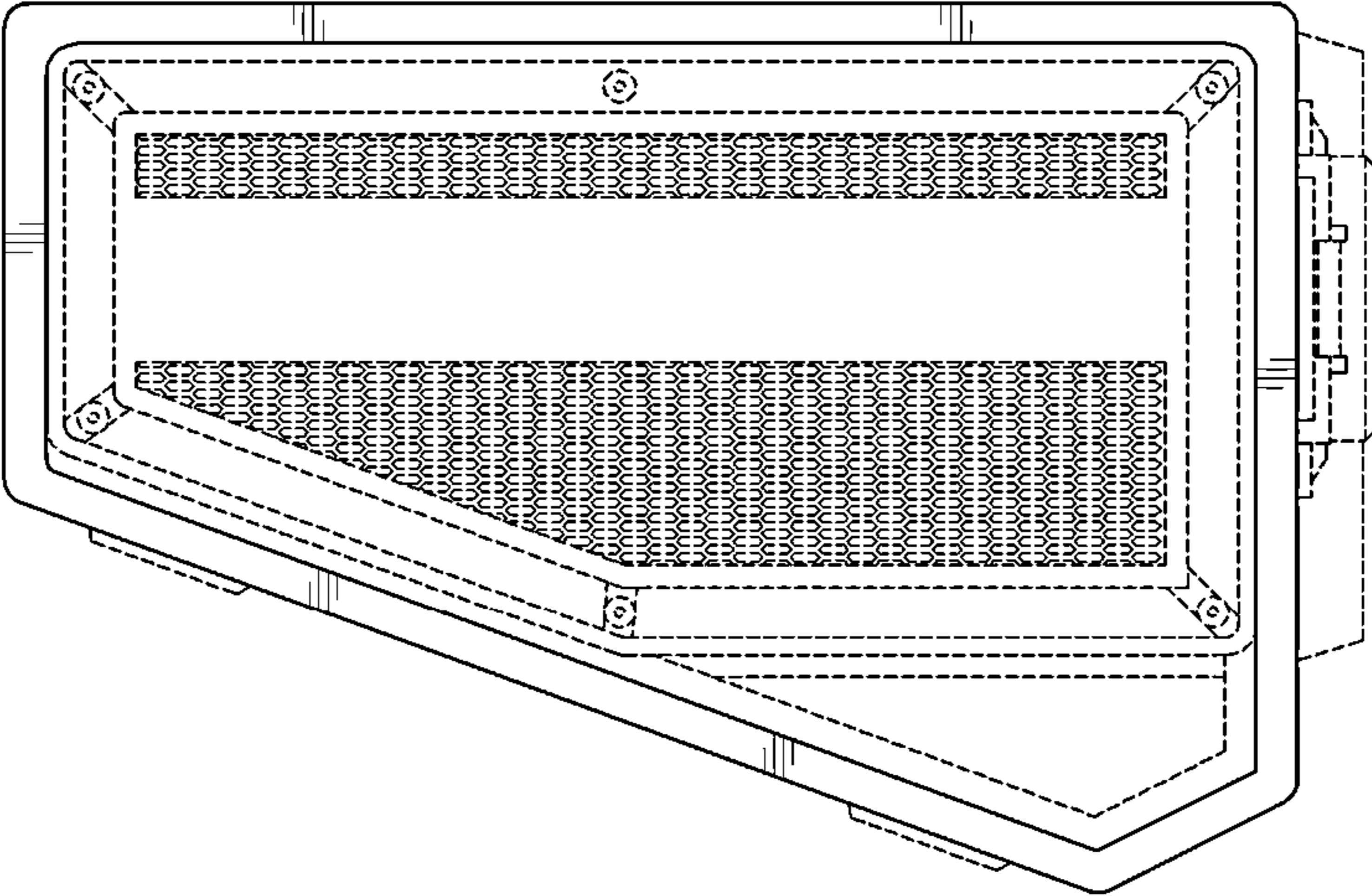


FIG. 5

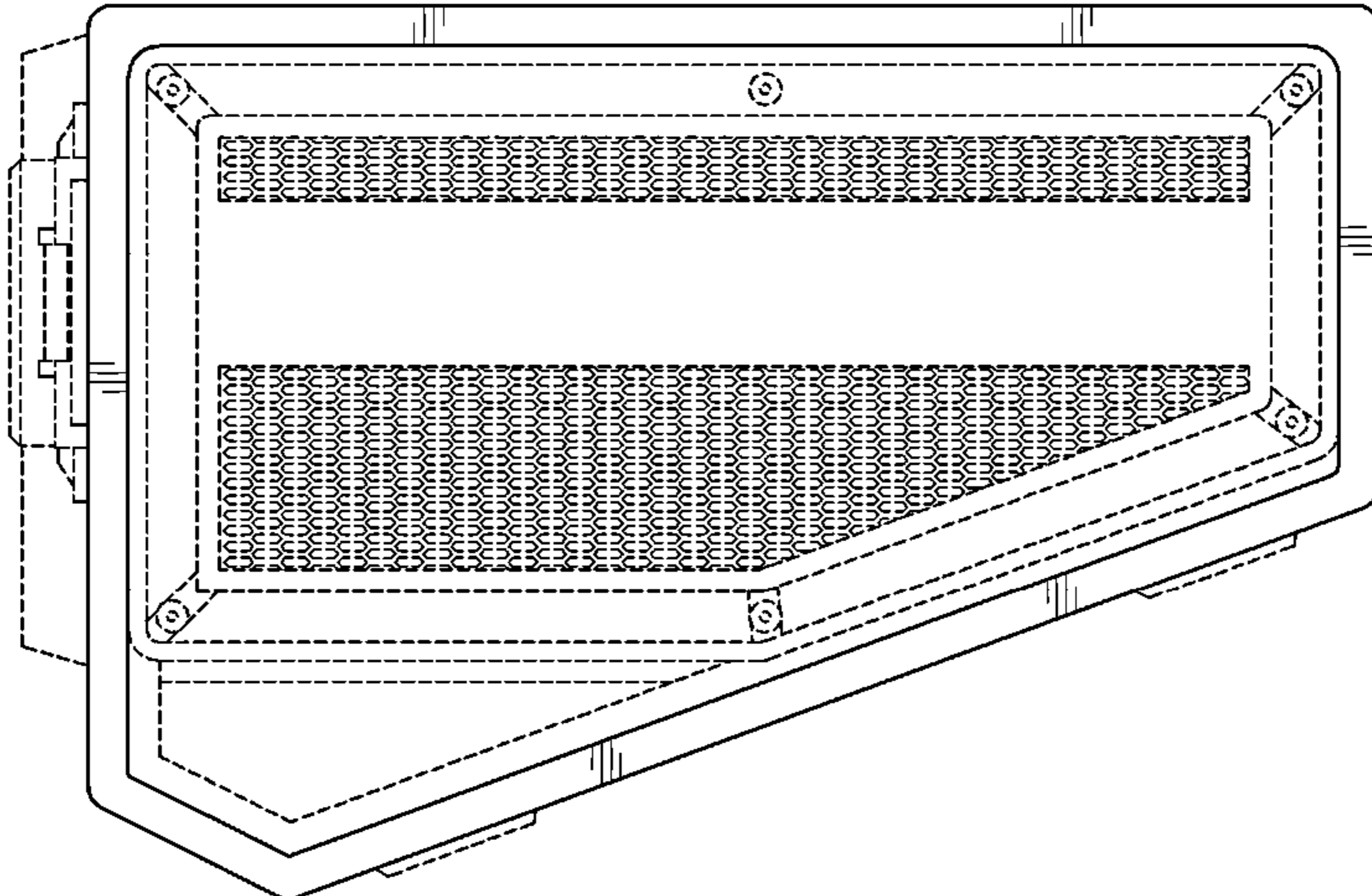


FIG. 6

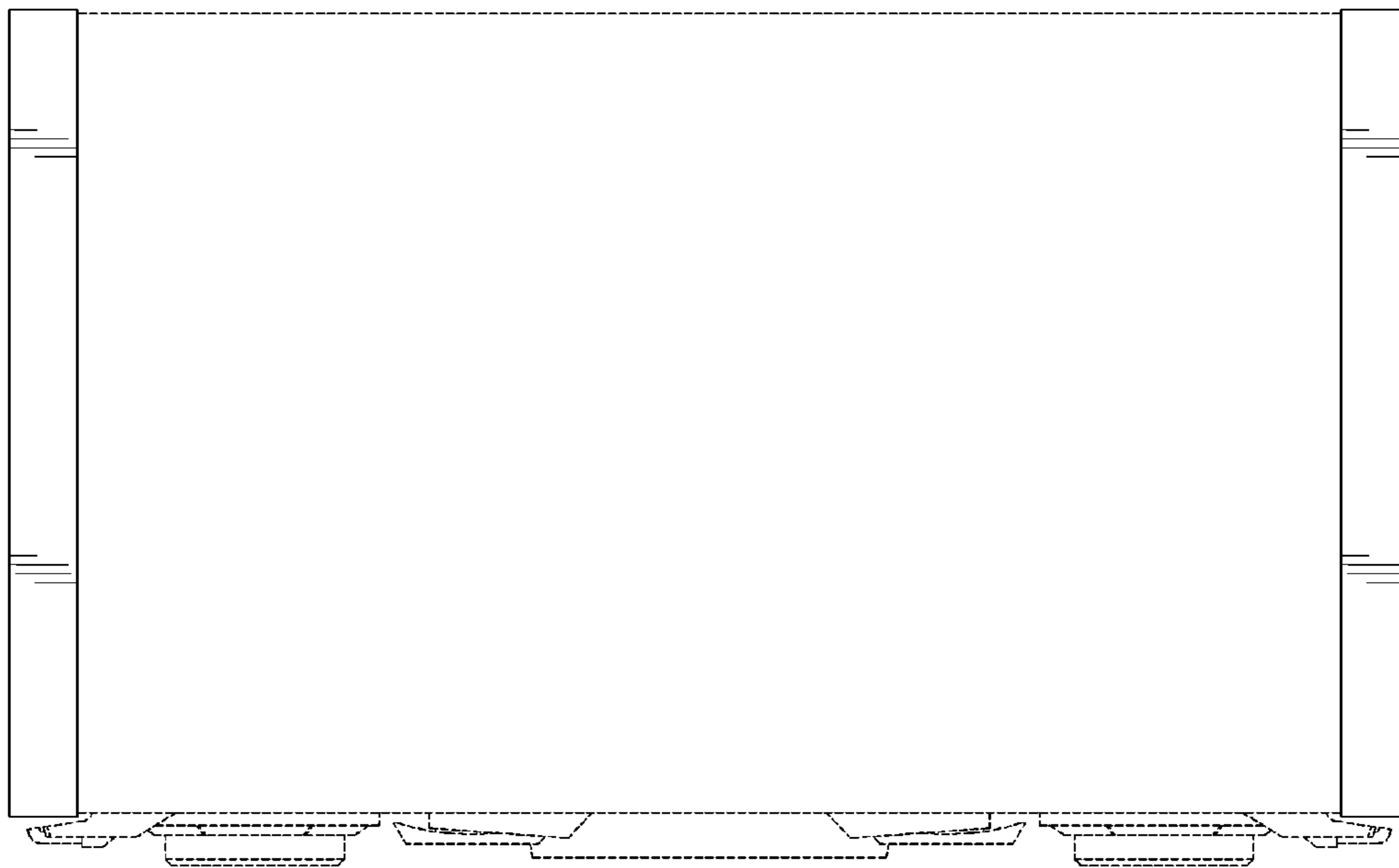


FIG. 7

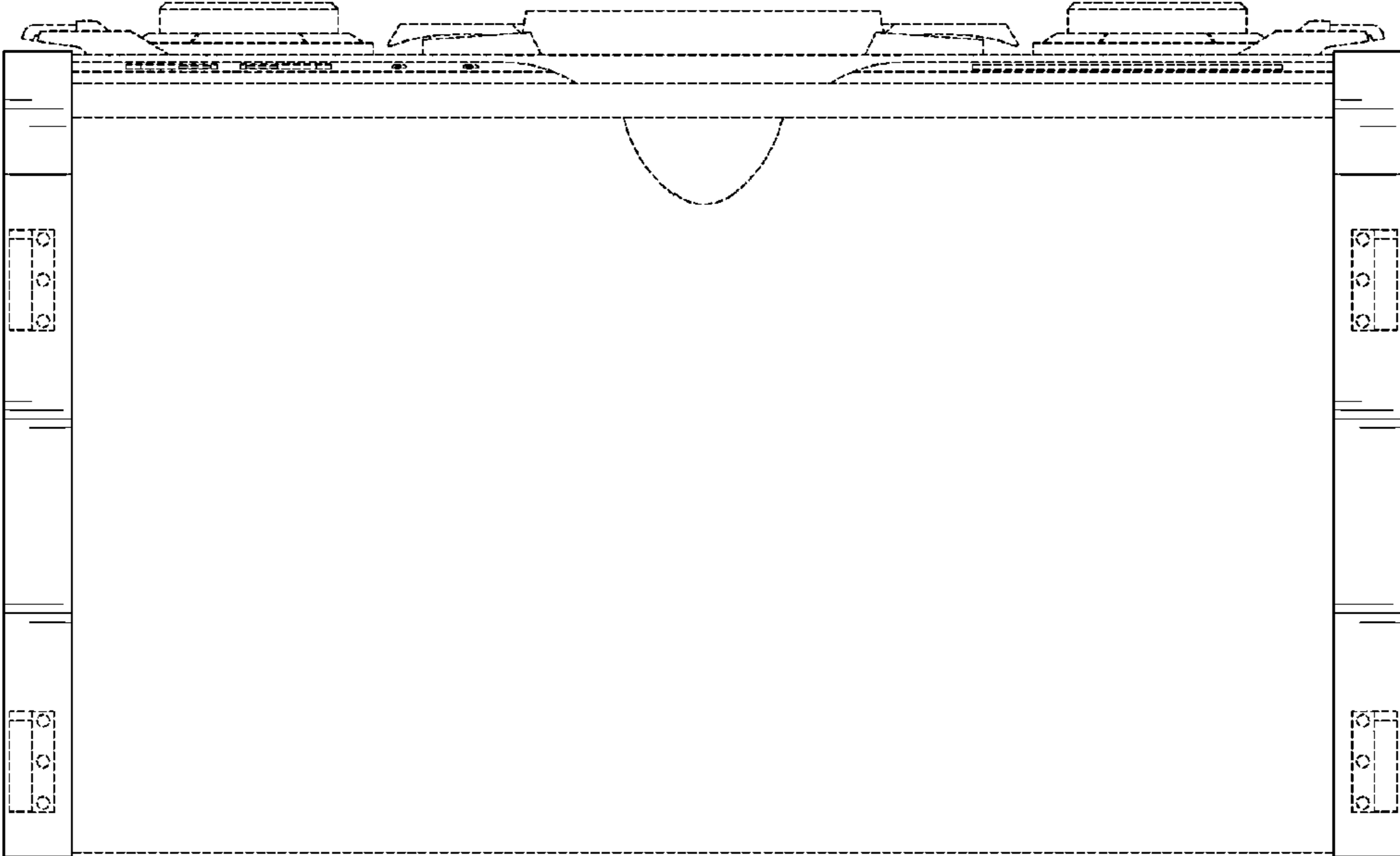


FIG. 8

