



US00D738862S

(12) **United States Design Patent**
Behar et al.

(10) **Patent No.:** **US D738,862 S**

(45) **Date of Patent:** **** *Sep. 15, 2015**

(54) **EAR PIECE**

(71) Applicant: **AliphCom**, San Francisco, CA (US)

(72) Inventors: **Yves Albert Behar**, San Francisco, CA (US); **Qin Li**, San Francisco, CA (US); **Diana Chang**, San Francisco, CA (US)

(73) Assignee: **ALIPHCOM**, San Francisco, CA (US)

(*) Notice: This patent is subject to a terminal disclaimer.

(**) Term: **14 Years**

(21) Appl. No.: **29/470,963**

(22) Filed: **Oct. 25, 2013**

(51) **LOC (10) Cl.** **14-01**

(52) **U.S. Cl.**

USPC **D14/223**

(58) **Field of Classification Search**

USPC D14/223, 206; 181/129, 130, 135;
379/430, 431, 420.01-420.04, 433.11;
381/380, 381; 455/90.3, 575.1

CPC H04R 1/10
See application file for complete search history.

(56) **References Cited**

U.S. PATENT DOCUMENTS

1,893,474	A	1/1933	Lieber	
2,528,811	A	11/1950	Balbi	
2,987,584	A	6/1961	Webber et al.	
3,345,737	A	10/1967	Gordon	
3,440,365	A *	4/1969	Hazell et al.	379/430
3,676,611	A	7/1972	Stephens	
4,311,206	A	1/1982	Johnson	
4,652,414	A *	3/1987	Schlaegel	264/154
4,984,277	A	1/1991	Bisgaard et al.	
5,003,607	A	3/1991	Reed	
D471,898	S *	3/2003	Bae	D14/223
6,690,807	B1 *	2/2004	Meyer	381/327

6,760,459	B2 *	7/2004	Bae	381/375
D538,271	S *	3/2007	Kim et al.	D14/223
D553,613	S *	10/2007	Sade et al.	D14/223
D566,108	S *	4/2008	Kan	D14/223
D568,301	S *	5/2008	Kim et al.	D14/223
D573,983	S *	7/2008	Bang et al.	D14/223
D582,398	S *	12/2008	Nam et al.	D14/223

(Continued)

FOREIGN PATENT DOCUMENTS

CA	D 136330	6/2011
CA	D 136331	6/2011

(Continued)

OTHER PUBLICATIONS

European Design Certificate No. 001226781-0002, dated Sep. 9, 2010, 4 pages.

(Continued)

Primary Examiner — Paula Greene

(74) *Attorney, Agent, or Firm* — Kilpatrick Townsend & Stockton LLP

(57) **CLAIM**

The ornamental design for an ear piece, as shown and described.

DESCRIPTION

FIG. 1 is a front perspective view of an ear piece showing our new design;

FIG. 2 is a rear perspective view thereof;

FIG. 3 is a top plan elevational view thereof;

FIG. 4 is a front elevational view thereof;

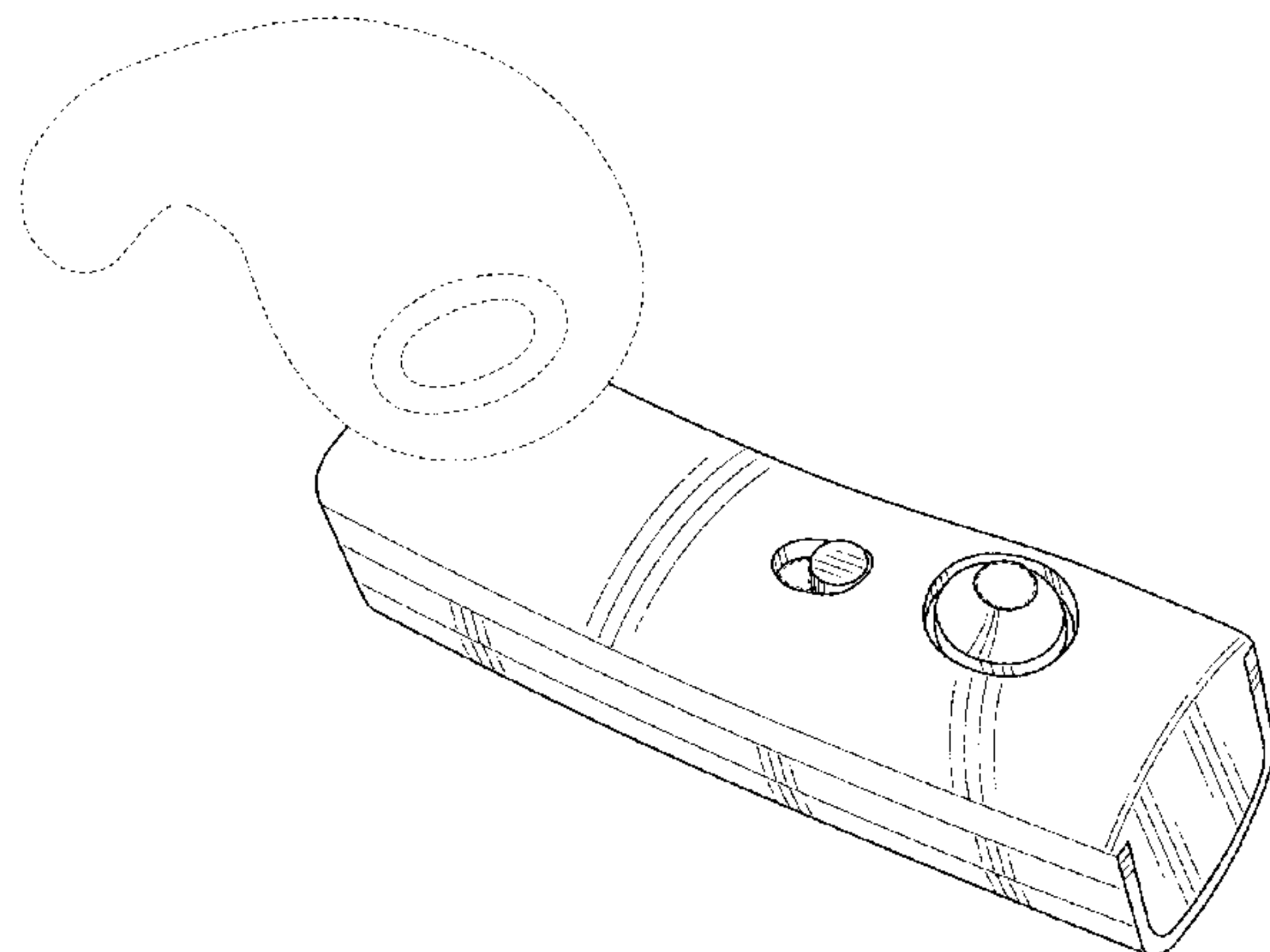
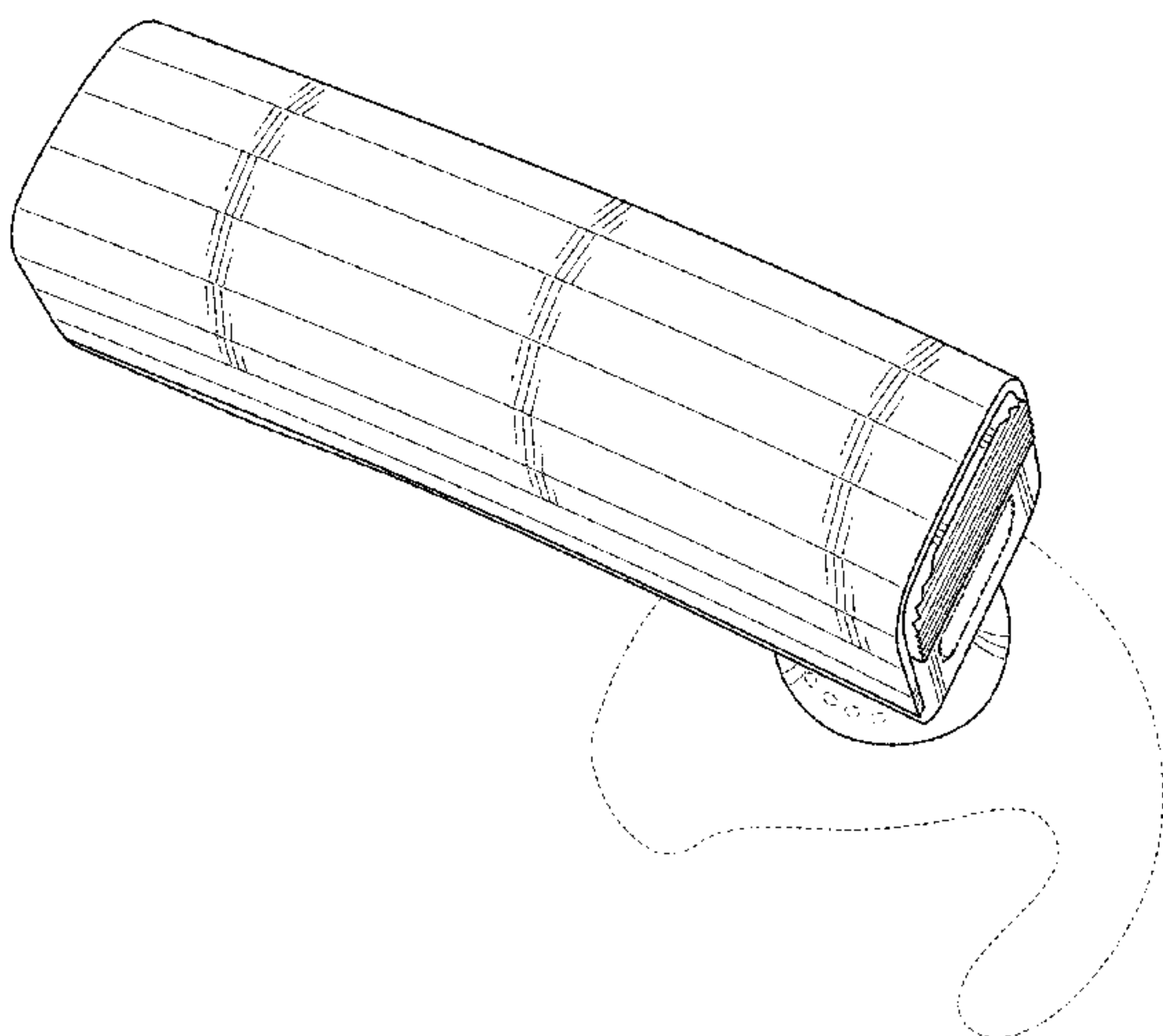
FIG. 5 is a bottom plan elevational view thereof;

FIG. 6 is a right side elevational view thereof; and,

FIG. 7 is a left side elevational view thereof.

Broken lines showing on the drawing disclosure are for illustrative purposes only and form no part of the claimed design.

1 Claim, 6 Drawing Sheets



(56)

References Cited

U.S. PATENT DOCUMENTS

D582,897 S * 12/2008 Christopher et al. D14/223
 D584,294 S * 1/2009 Nam et al. D14/223
 D585,431 S * 1/2009 Bradford et al. D14/223
 D601,134 S * 9/2009 Elabidi et al. D14/223
 7,778,410 B2 * 8/2010 Liu et al. 379/430
 D628,194 S * 11/2010 Koch D14/223
 D629,396 S * 12/2010 Andre et al. D14/223
 D632,674 S 2/2011 Behar et al.
 D632,675 S 2/2011 Behar et al.
 D632,676 S 2/2011 Behar et al.
 D633,480 S 3/2011 Behar et al.
 D641,341 S 7/2011 Behar et al.
 D643,420 S * 8/2011 Huang D14/223
 D645,026 S 9/2011 Behar et al.
 D648,709 S 11/2011 Behar et al.
 D649,957 S * 12/2011 Fahrendorff et al. D14/223
 D656,490 S * 3/2012 Birger D14/223
 D657,781 S * 4/2012 Yang D14/223

D664,948 S 8/2012 Behar et al.
 D664,949 S 8/2012 Behar et al.
 D698,445 S 1/2014 Roberts et al.

FOREIGN PATENT DOCUMENTS

CA D 136332 6/2011
 CA D 136333 6/2011
 CA D 136334 6/2011

OTHER PUBLICATIONS

European Design Certificate No. 001226781-0003, dated Sep. 9, 2010, 4 pages.
 European Design Certificate No. 001226781-0004, dated Sep. 9, 2010, 4 pages.
 European Design Certificate No. 001226781-0005, dated Sep. 9, 2010, 4 pages.
 Monster iSport Intensity In-Ear Headphones for iOS retrieved from the Internet on Dec. 16, 2014 (3 pages).

* cited by examiner

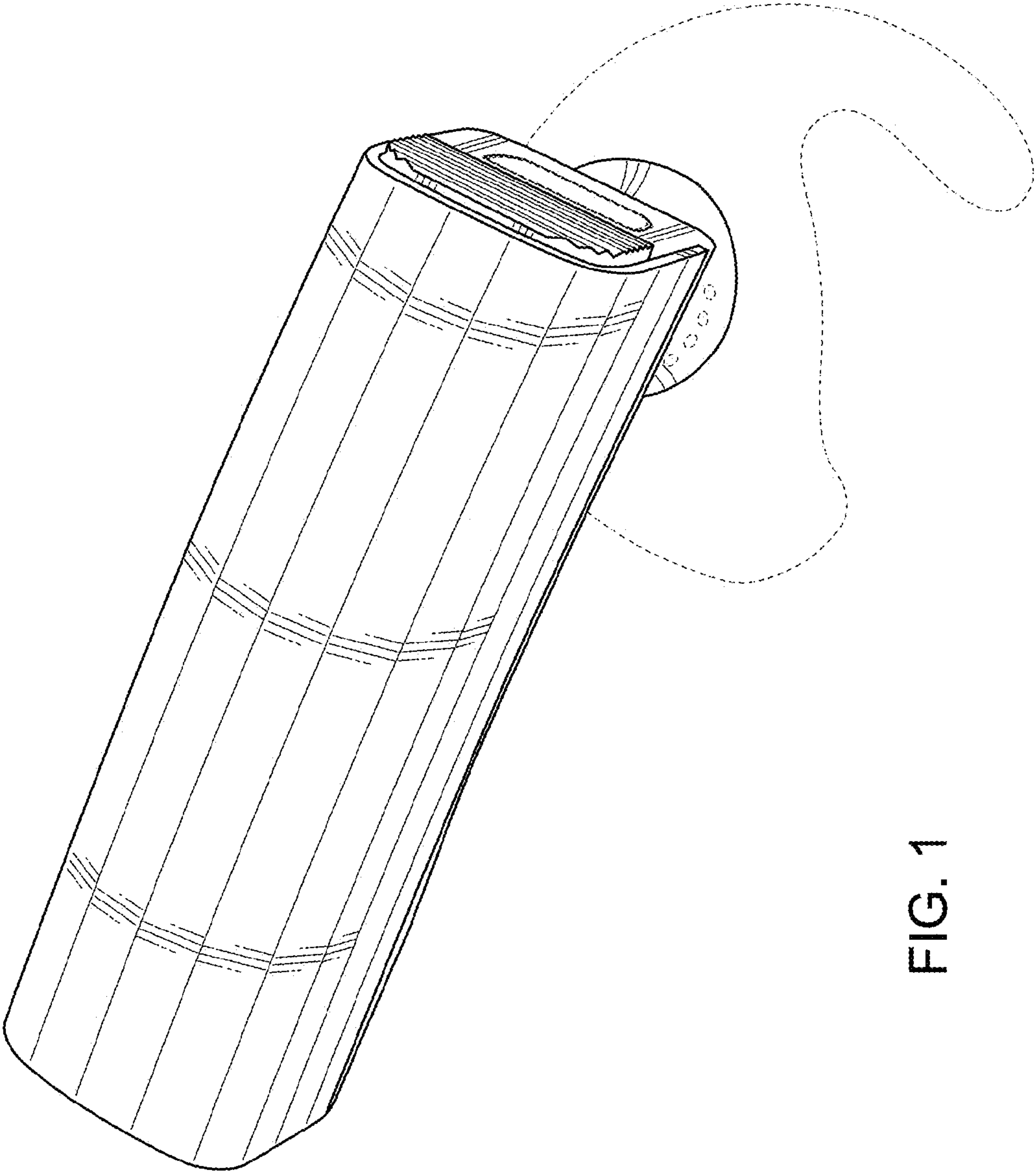


FIG. 1

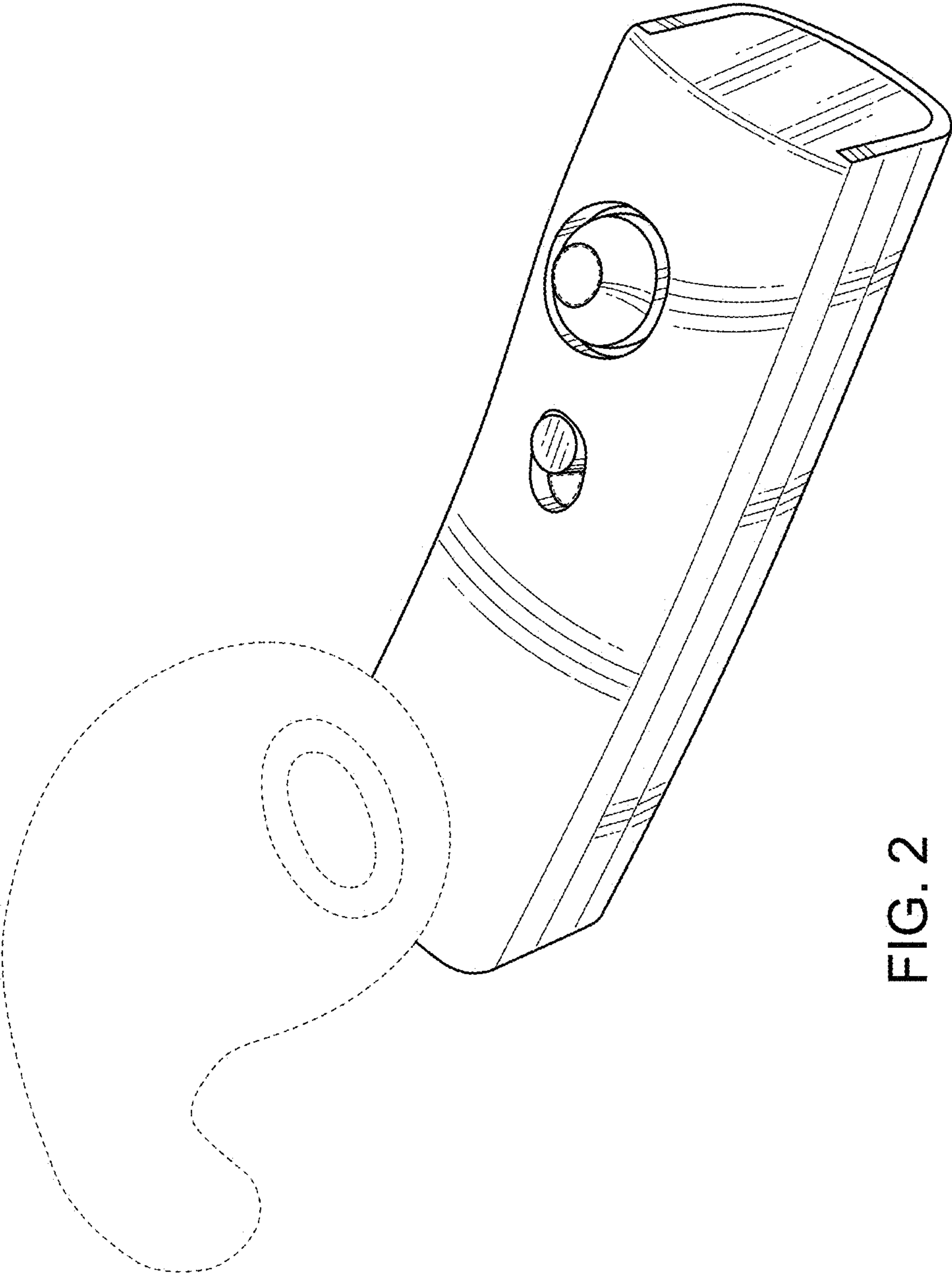


FIG. 2

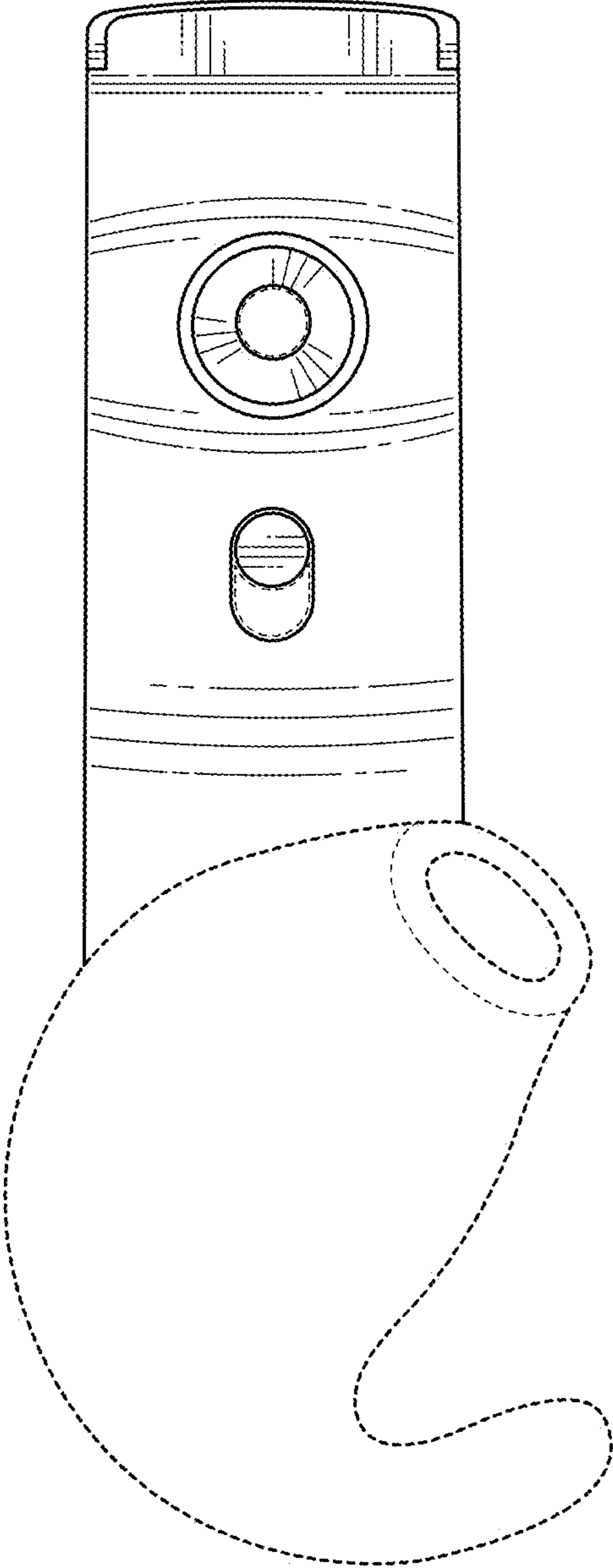


FIG. 3

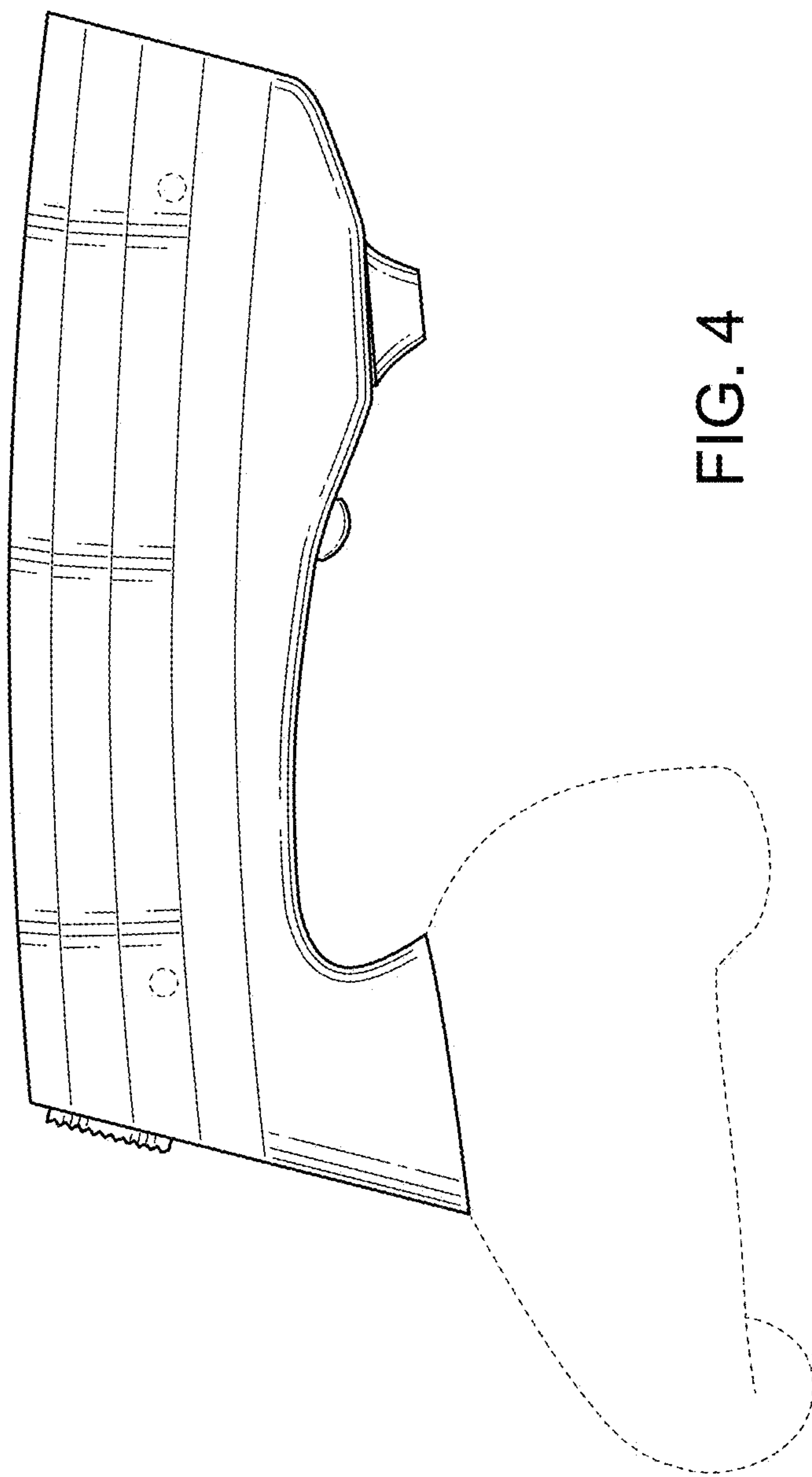


FIG. 4

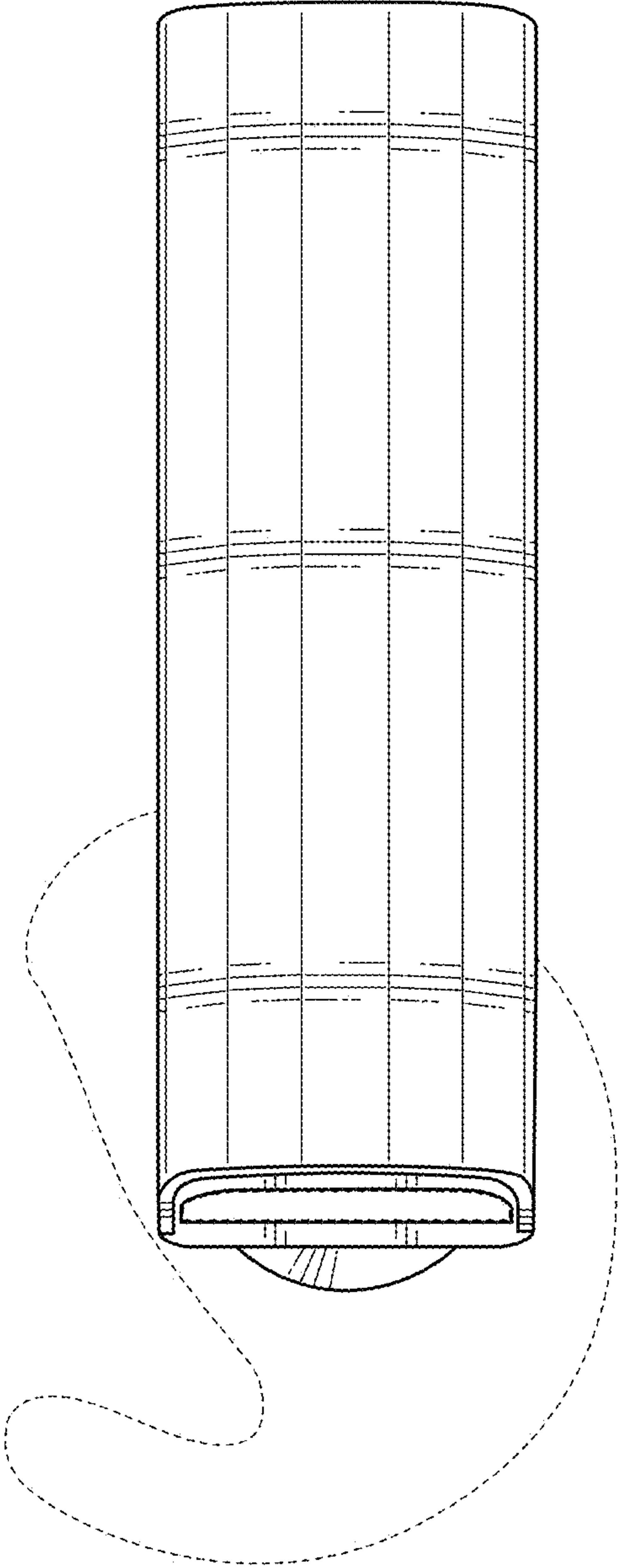


FIG. 5

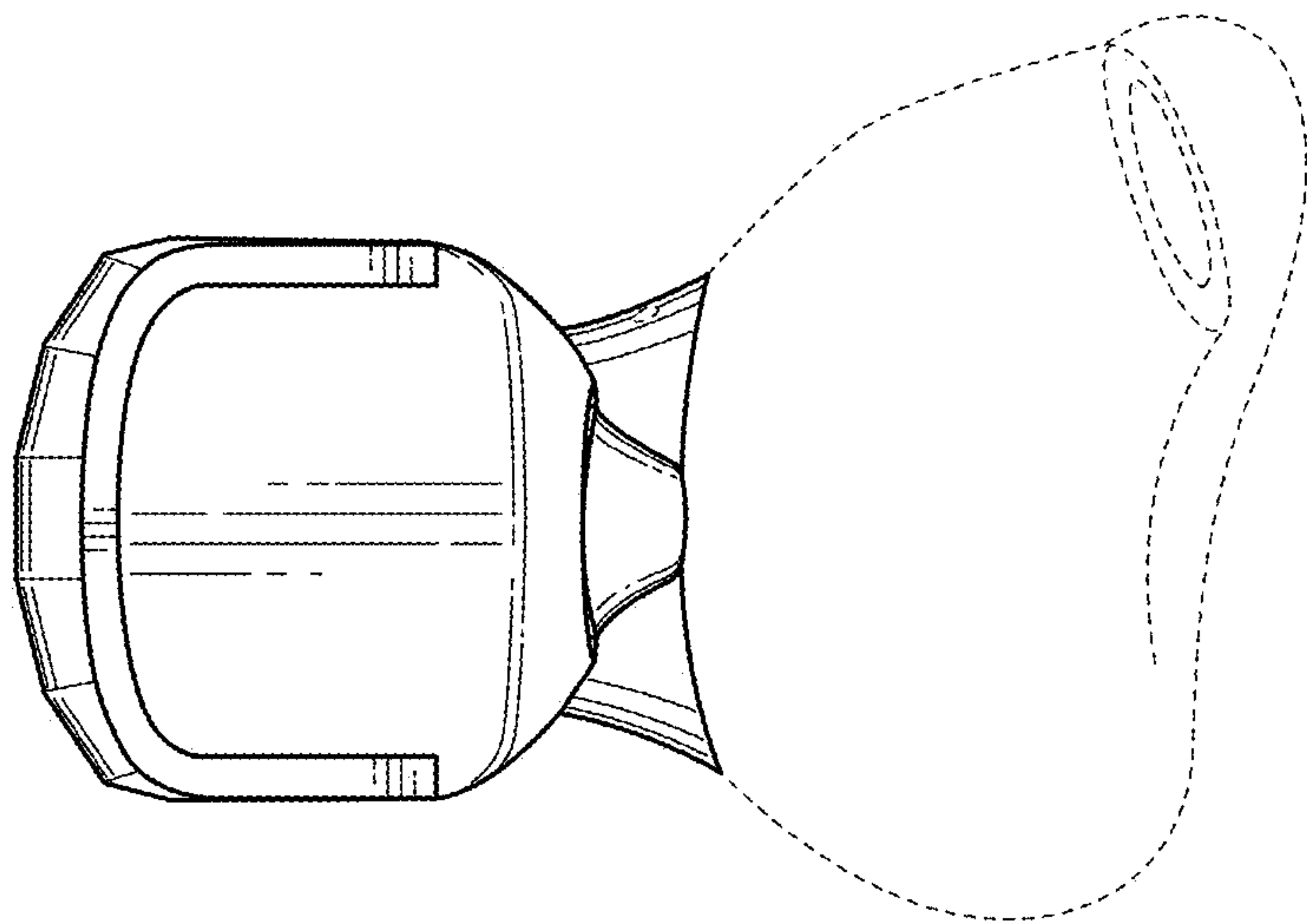


FIG. 7

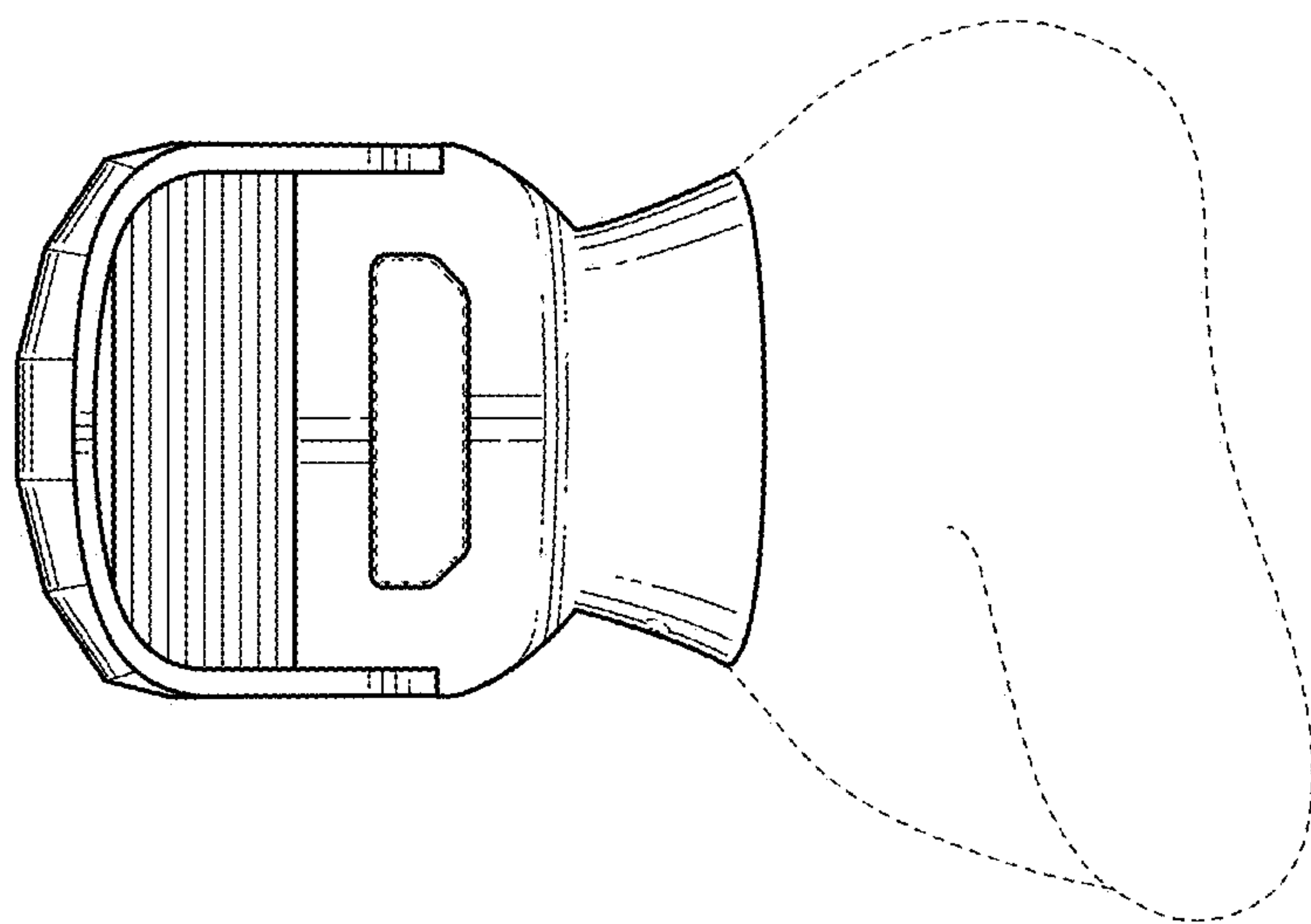


FIG. 6