



US00D738861S

(12) **United States Design Patent**
Yang

(10) **Patent No.:** **US D738,861 S**
(45) **Date of Patent:** **** Sep. 15, 2015**

(54) **VIBRATING ELEMENT FOR SPEAKER**

DESCRIPTION

(71) Applicant: **Bill Yang**, Taipei (TW)
(72) Inventor: **Bill Yang**, Taipei (TW)
(73) Assignee: **Cotron Corporation**, Taipei (TW)
(**) Term: **14 Years**
(21) Appl. No.: **29/487,452**
(22) Filed: **Apr. 9, 2014**
(51) **LOC (10) Cl.** **14-01**
(52) **U.S. Cl.**
USPC **D14/222**
(58) **Field of Classification Search**
USPC D14/204, 210–216, 221, 222, 172;
181/143, 144, 147, 148, 150–153, 157,
181/198, 199; 381/300–303, 306, 332, 333,
381/336, 345, 361–364, 386–388
CPC H04R 7/00; H04R 25/00; H04R 27/00;
H04R 2400/00
See application file for complete search history.

(56) **References Cited**

U.S. PATENT DOCUMENTS

1,891,566	A *	12/1932	McKellip	181/172
5,418,337	A *	5/1995	Schreiber	181/171
5,455,396	A *	10/1995	Willard et al.	181/172
6,349,142	B1 *	2/2002	Teng	381/386
D511,155	S *	11/2005	Pires	D14/221
D522,496	S *	6/2006	Smith et al.	D14/221
D523,848	S *	6/2006	Shing	D14/221
D556,738	S *	12/2007	Yao	D14/216
D674,375	S *	1/2013	Robineau	D14/221
D705,756	S *	5/2014	Kerstein et al.	D14/222

* cited by examiner

Primary Examiner — Prabhakar Deshmukh
(74) *Attorney, Agent, or Firm* — Jianq Chyun IP Office

(57) **CLAIM**

The ornamental design for a vibrating element for speaker, as shown and described.

FIG. 1 is a perspective view of a vibrating element for speaker showing a first embodiment of my new design;
FIG. 2 is another perspective view of the first embodiment;
FIG. 3 is a front view of the first embodiment, the rear view being identical to the front view;
FIG. 4 is a left side view of the first embodiment, the right side view being identical to the left side view;
FIG. 5 is a top view of the first embodiment;
FIG. 6 is a bottom view of the first embodiment;
FIG. 7 is a cross-sectional view taken along line 7-7 in FIG. 6 of the first embodiment;
FIG. 8 is a cross-sectional view taken along line 8-8 in FIG. 6 of the first embodiment;
FIG. 9 is an enlarged view of an indicated portion of FIG. 7 of the first embodiment;
FIG. 10 is an enlarged view of an indicated portion of FIG. 7 of the first embodiment;
FIG. 11 is an enlarged view of an indicated portion of FIG. 7 of the first embodiment;
FIG. 12 is an enlarged view of an indicated portion of FIG. 7 of the first embodiment;
FIG. 13 is an enlarged view of an indicated portion of FIG. 8 of the first embodiment;
FIG. 14 is an enlarged view of an indicated portion of FIG. 8 of the first embodiment;
FIG. 15 is an enlarged view of an indicated portion of FIG. 8 of the first embodiment;
FIG. 16 is a perspective view of a vibrating element for speaker showing a second embodiment of my new design;
FIG. 17 is another perspective view of the second embodiment;
FIG. 18 is a front view of the second embodiment, the rear view being identical to the front view;
FIG. 19 is a left side view of the second embodiment, the right side view being identical to the left side view;
FIG. 20 is a top view of the second embodiment;
FIG. 21 is a bottom view of the second embodiment;
FIG. 22 is a cross-sectional view taken along line 22-22 in FIG. 21 of the second embodiment;
FIG. 23 is a cross-sectional view taken along line 23-23 in FIG. 21 of the second embodiment;

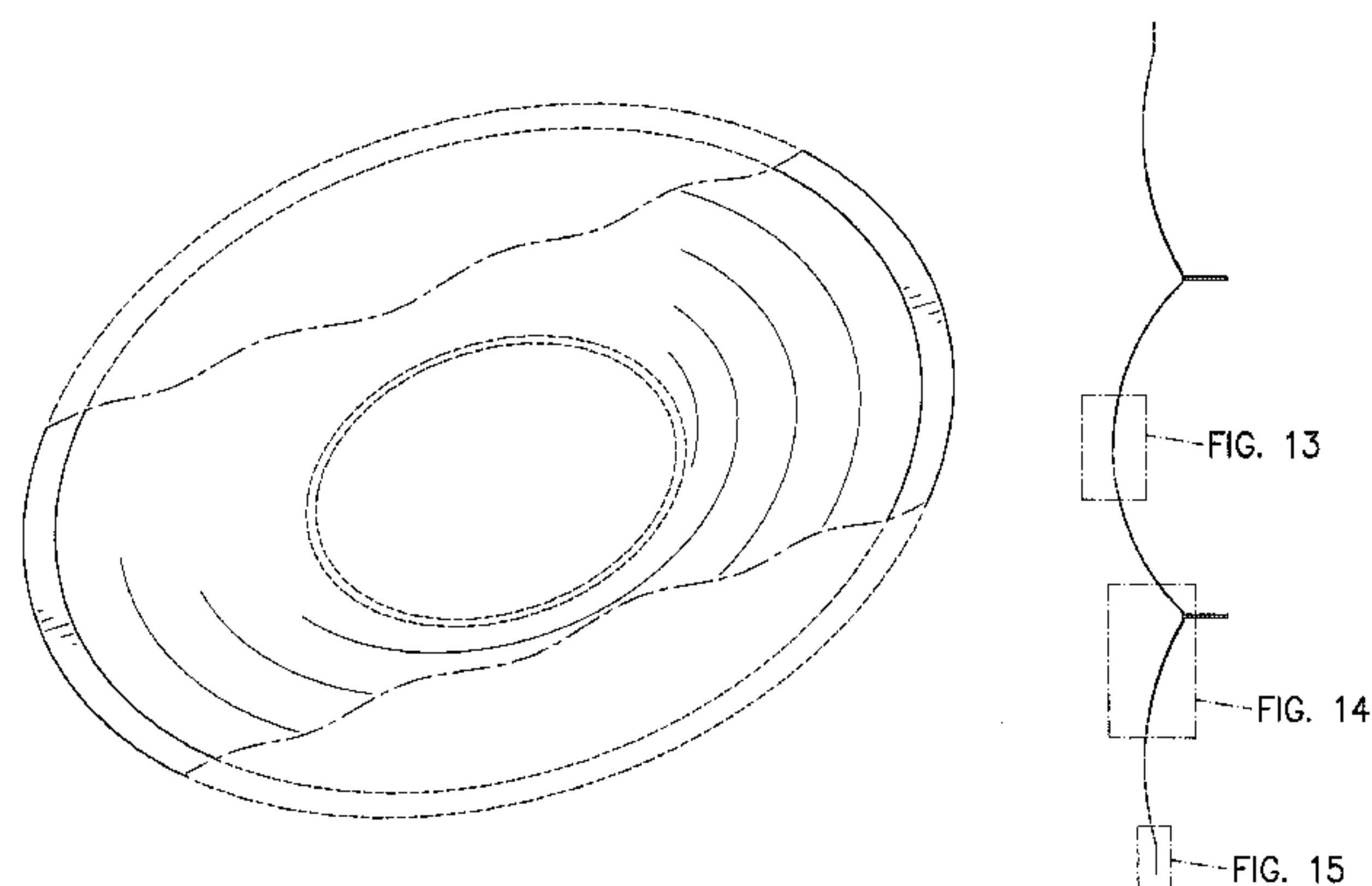


FIG. **24** is an enlarged view of an indicated portion of FIG. **22** of the second embodiment;

FIG. **25** is an enlarged view of an indicated portion of FIG. **22** of the second embodiment;

FIG. **26** is an enlarged view of an indicated portion of FIG. **22** of the second embodiment;

FIG. **27** is an enlarged view of an indicated portion of FIG. **22** of the second embodiment;

FIG. **28** is an enlarged view of an indicated portion of FIG. **23** of the second embodiment;

FIG. **29** is an enlarged view of an indicated portion of FIG. **23** of the second embodiment; and,

FIG. **30** is an enlarged view of an indicated portion of FIG. **23** of the second embodiment.

The broken line portions of the vibrating element for speaker in all views represent unclaimed portions of the claimed design and form no part thereof. The portion shown in double cross-hatched lines in FIGS. **24-30** is pervious to light. The dot-dash broken lines in all views represent an unclaimed border of the claimed design. Specifically, the broken lines in an area composed of the dot-dash broken lines and solid lines in FIGS. **2, 6, 17, and 21** represent unclaimed boundaries of coating films.

1 Claim, 22 Drawing Sheets

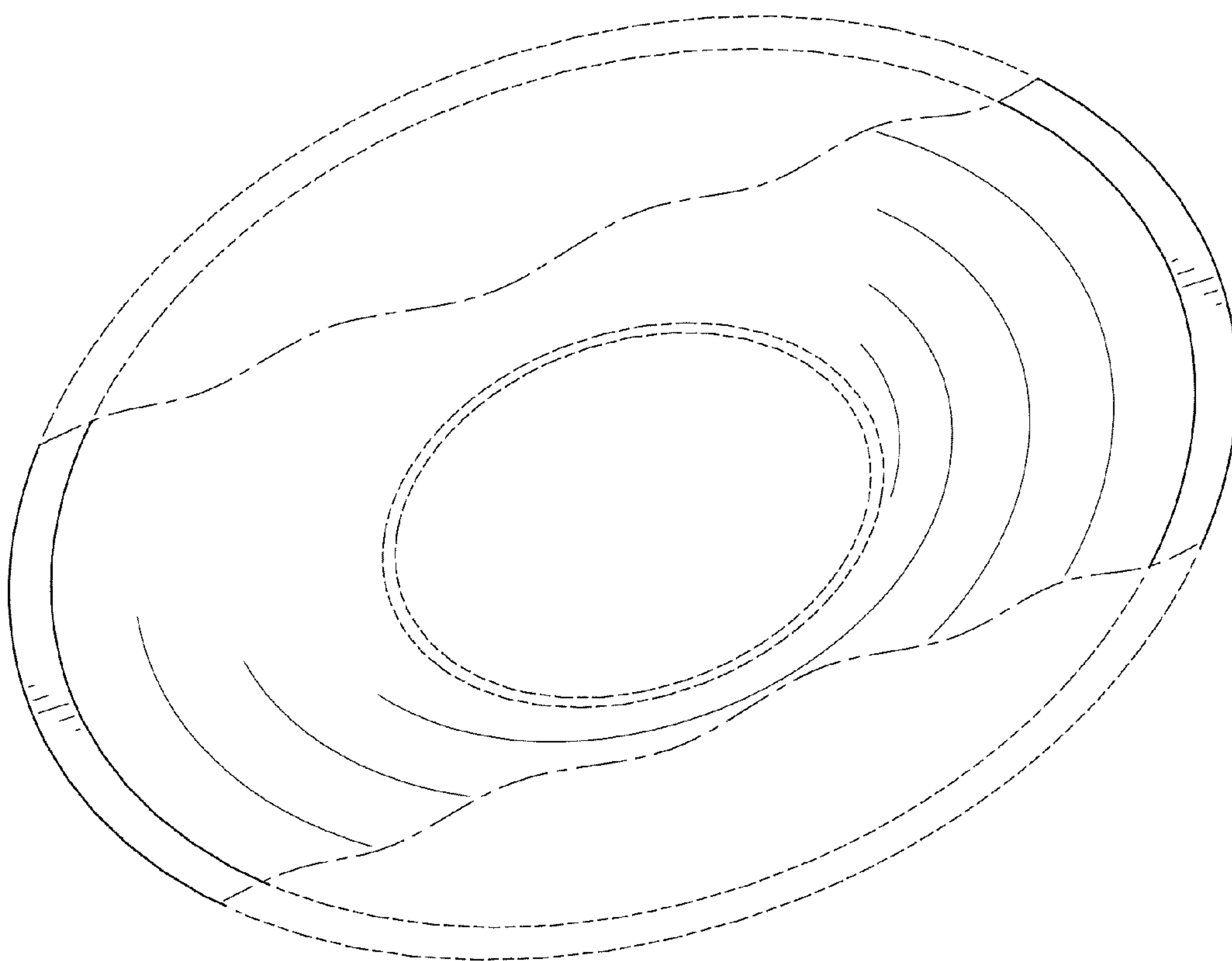


FIG. 1

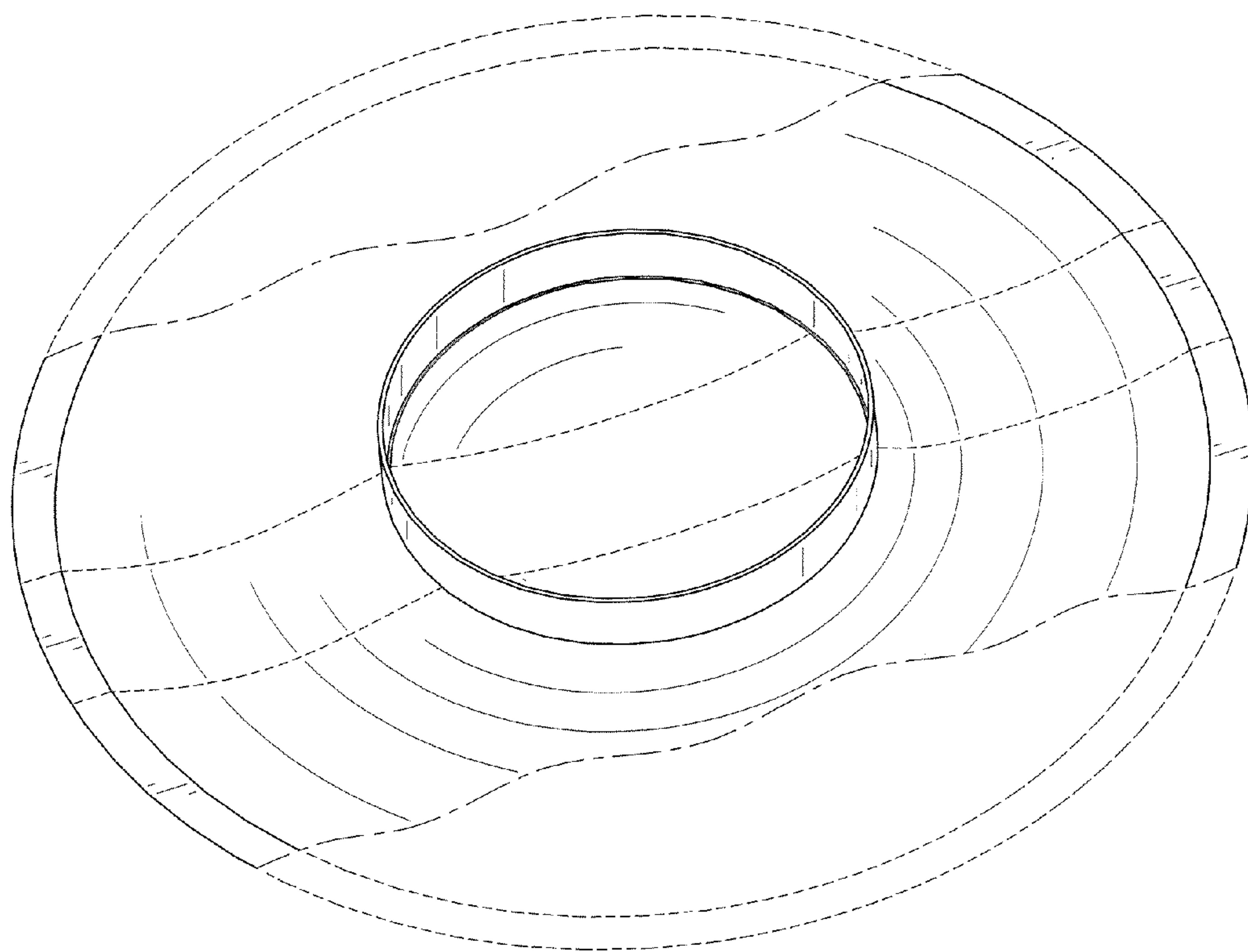


FIG. 2

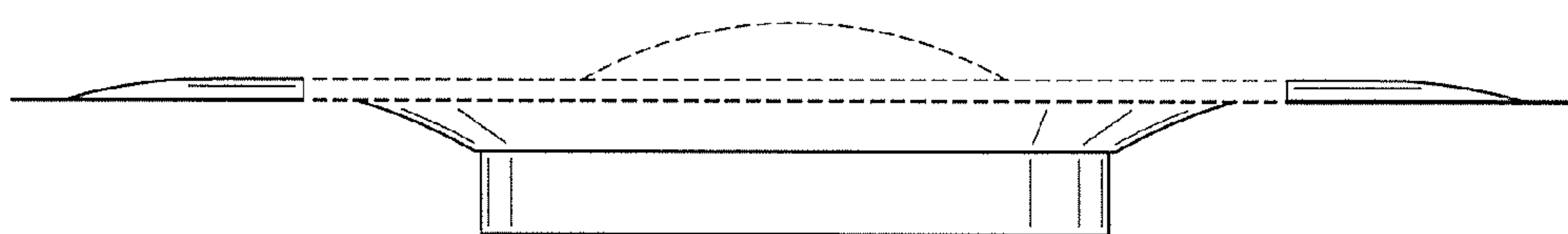


FIG. 3

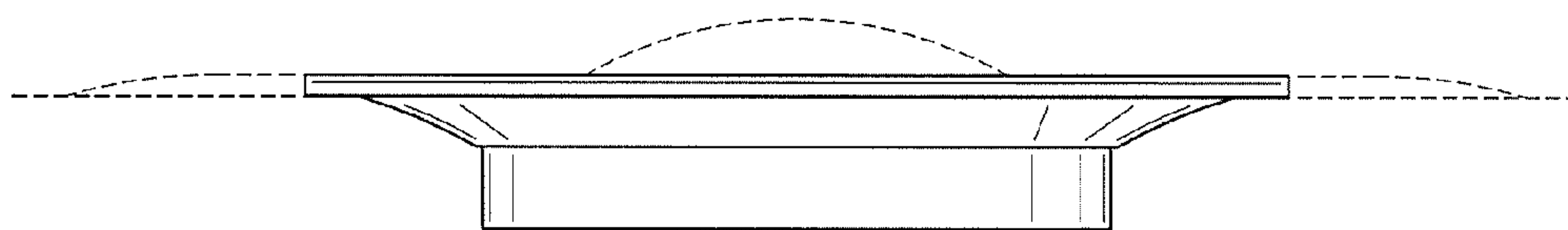


FIG. 4

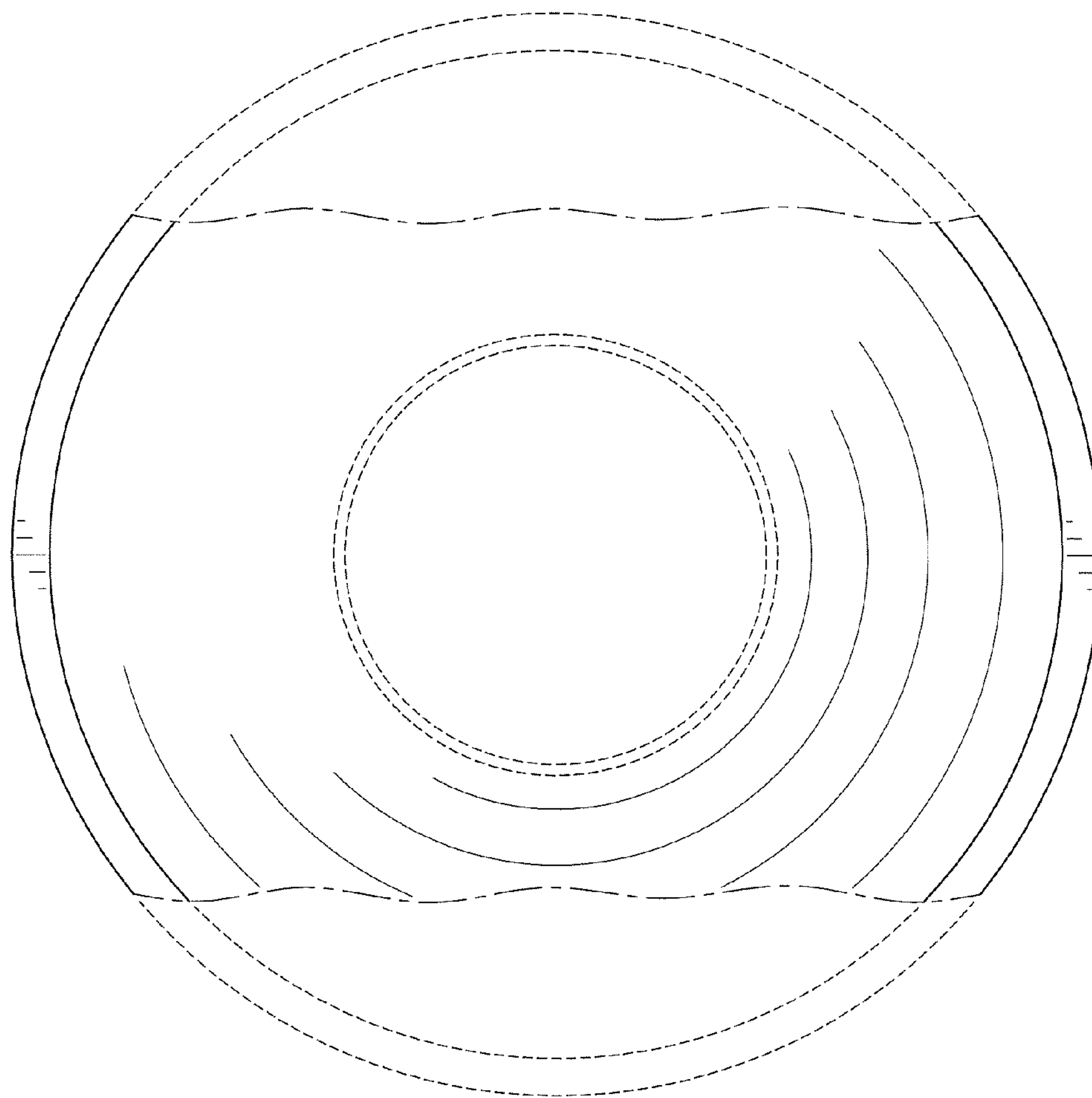


FIG. 5

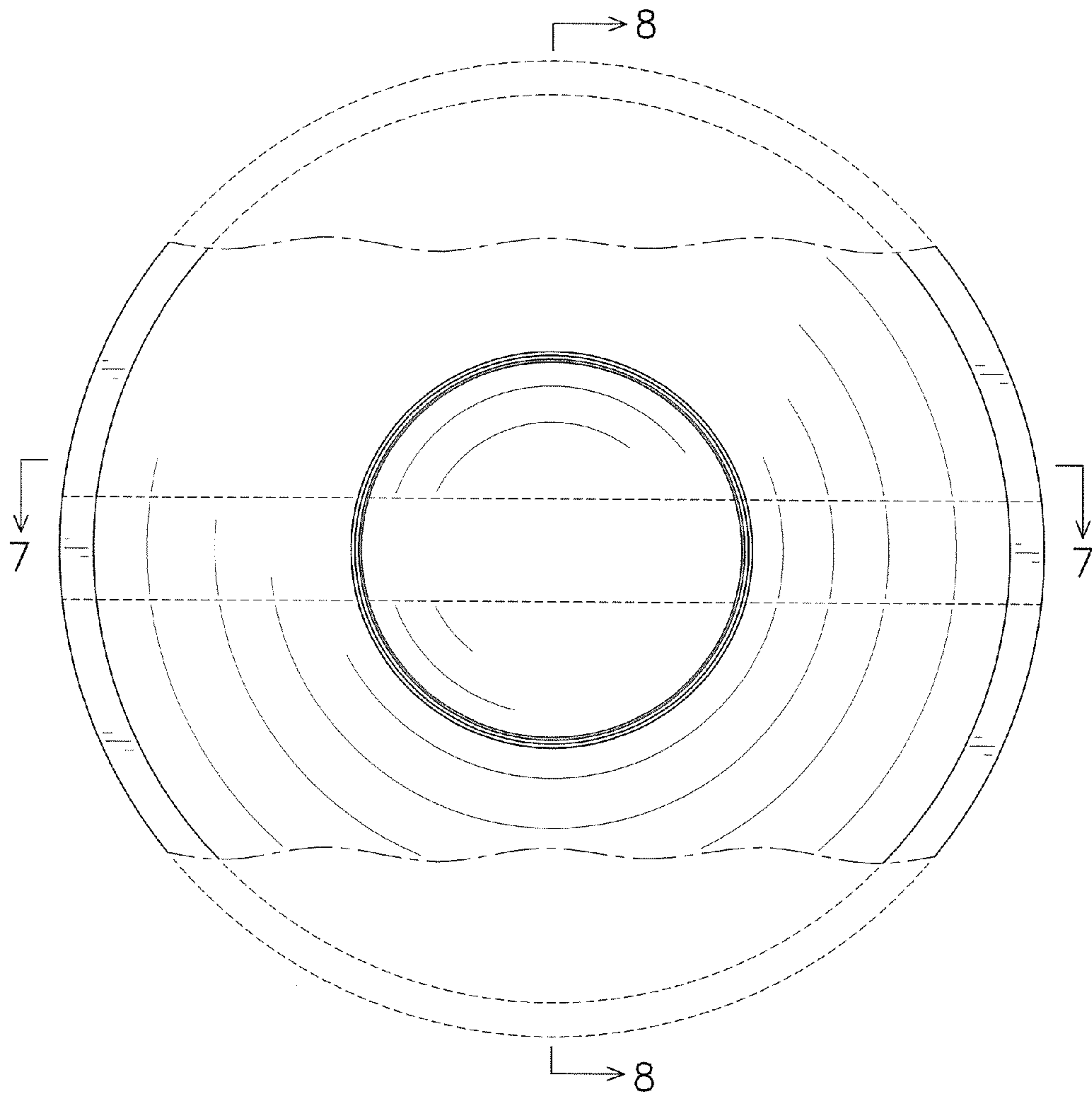


FIG. 6

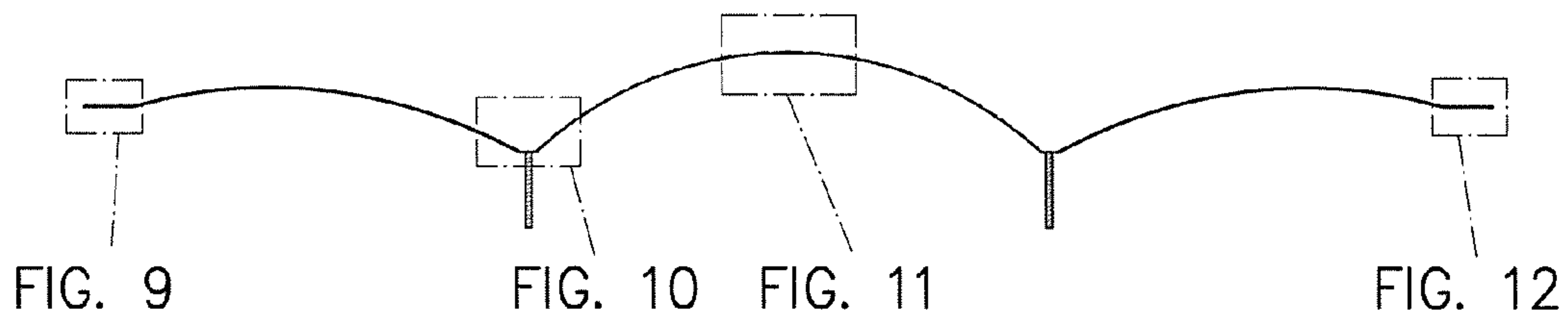


FIG. 7

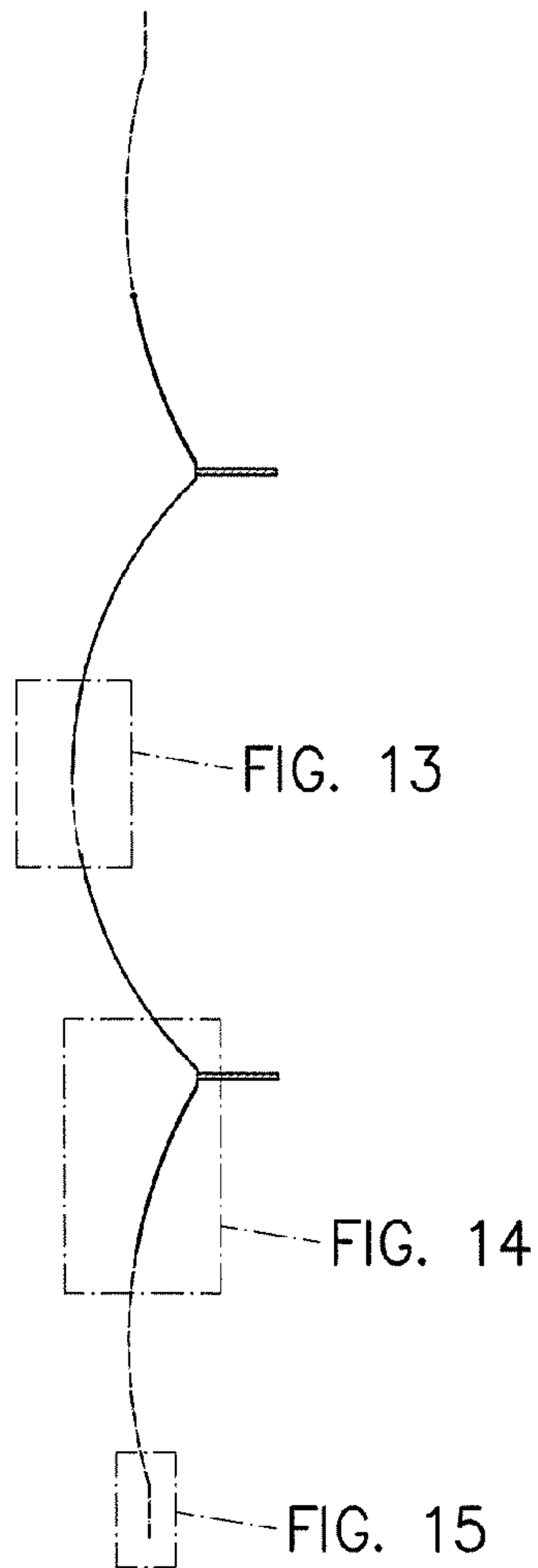


FIG. 8

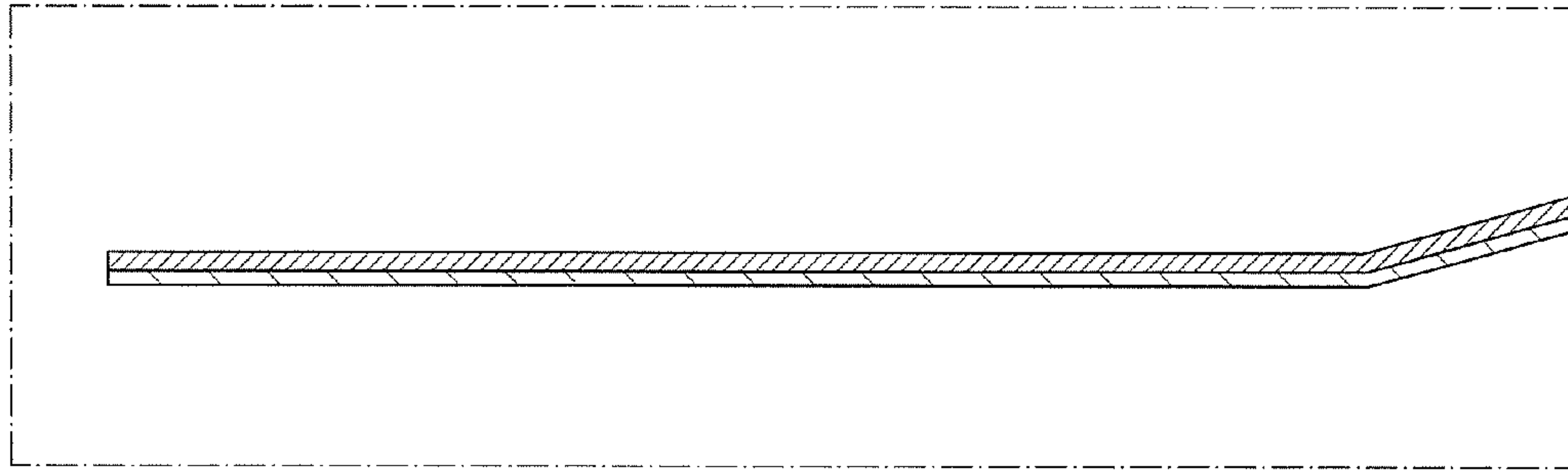


FIG. 9

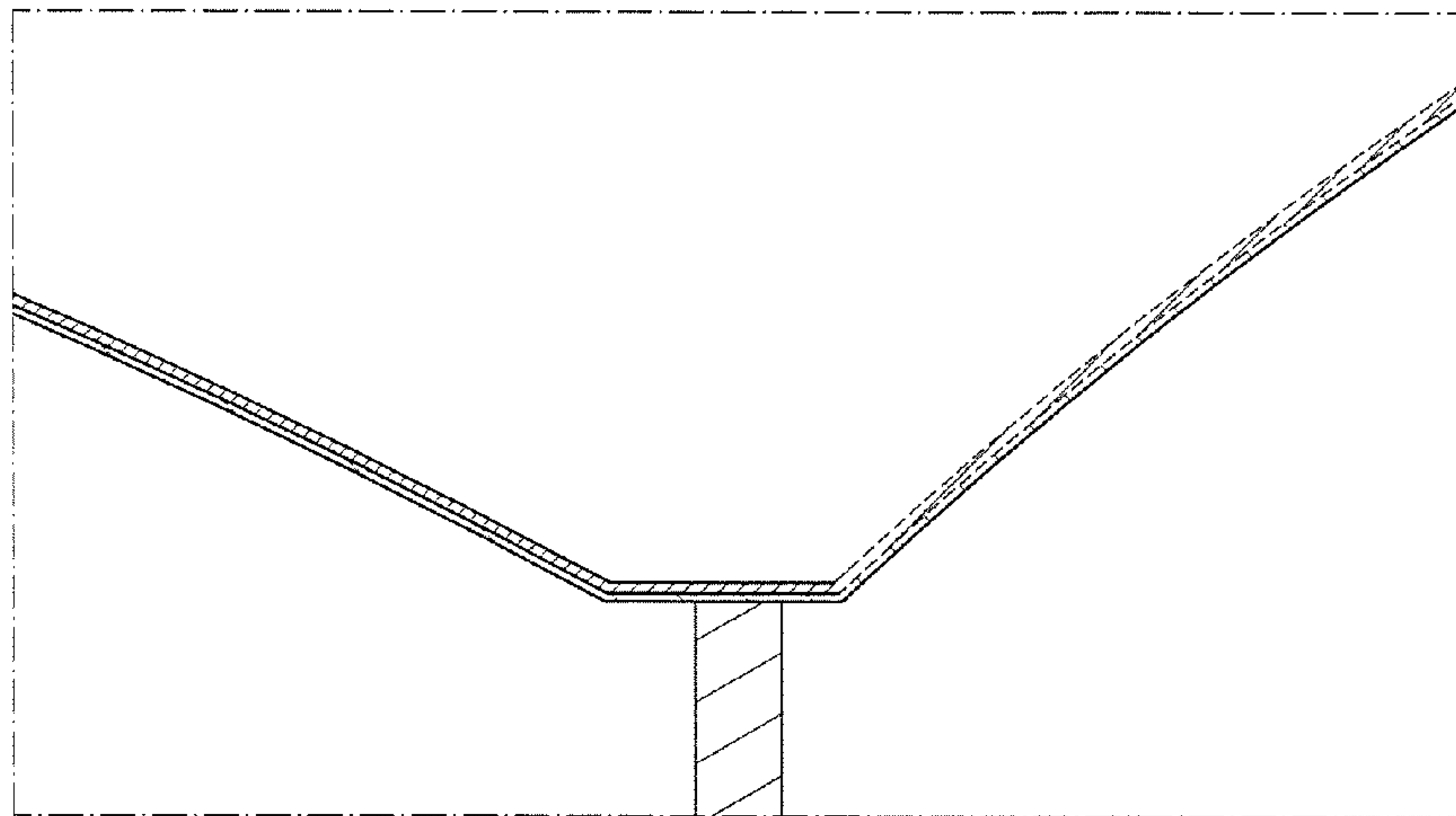


FIG. 10

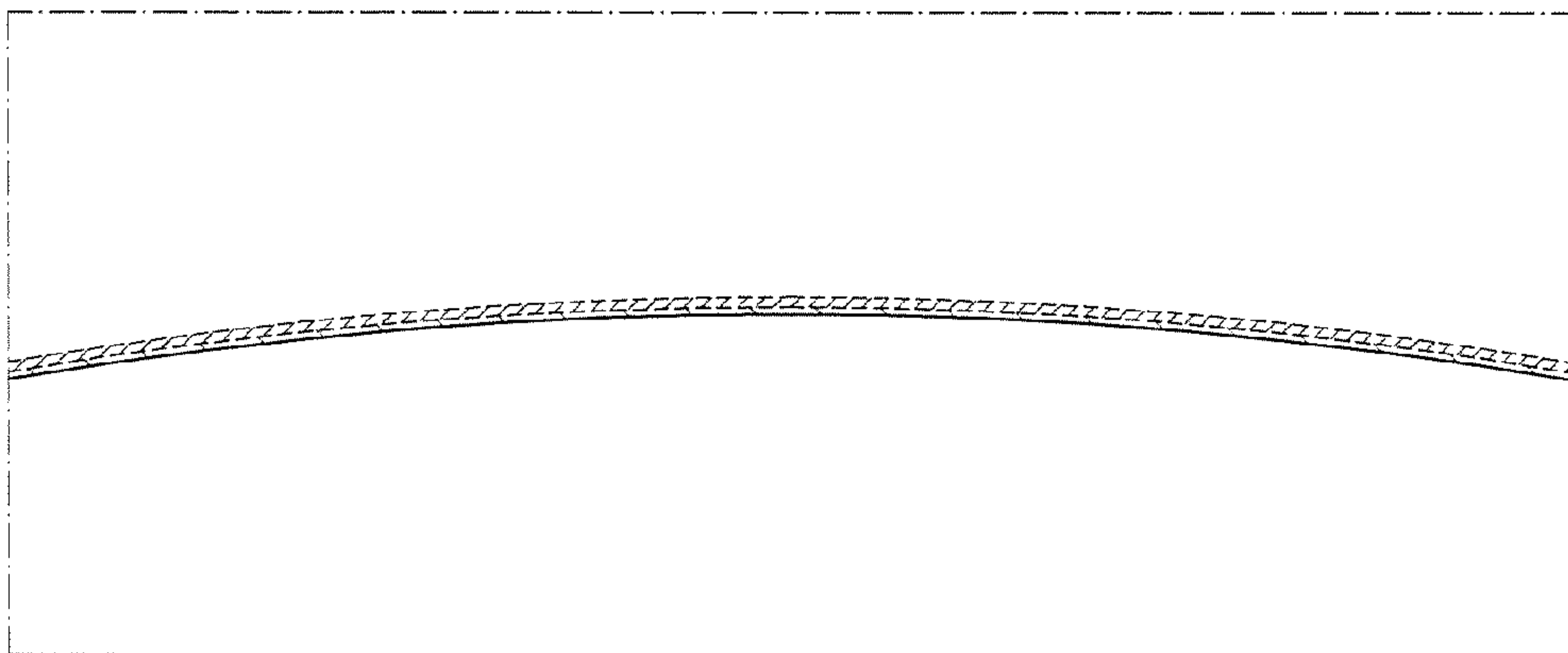


FIG. 11

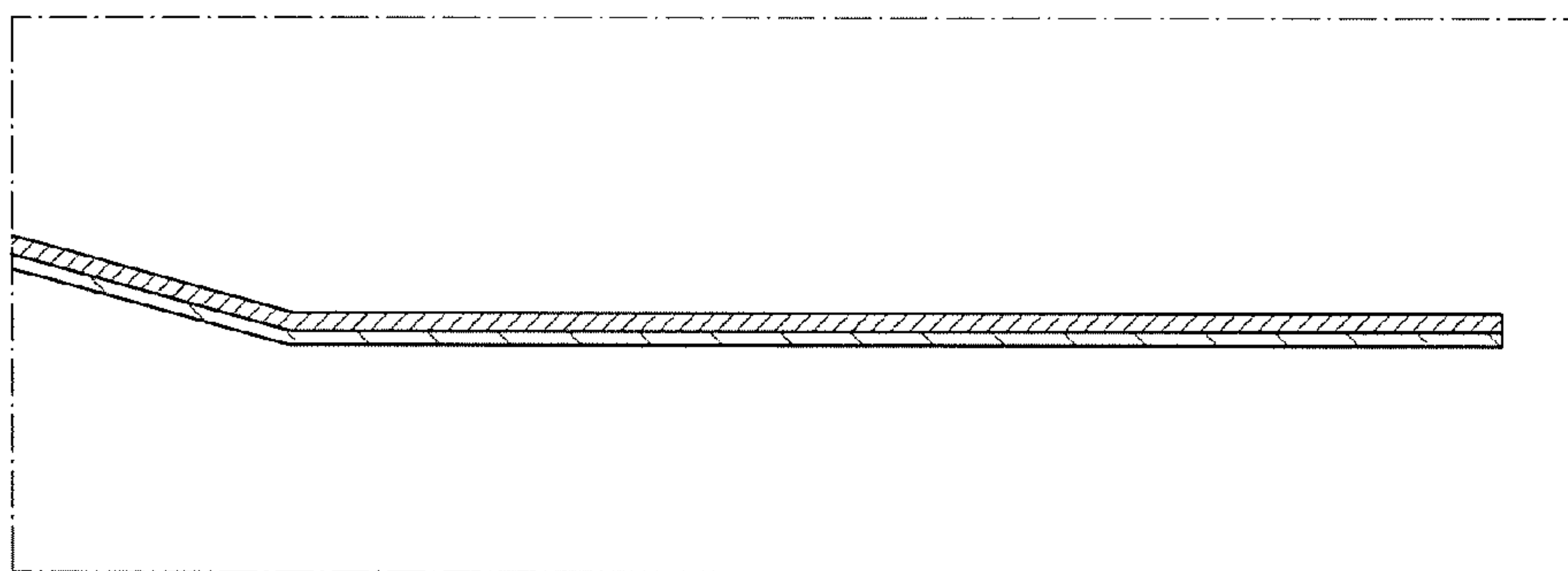


FIG. 12

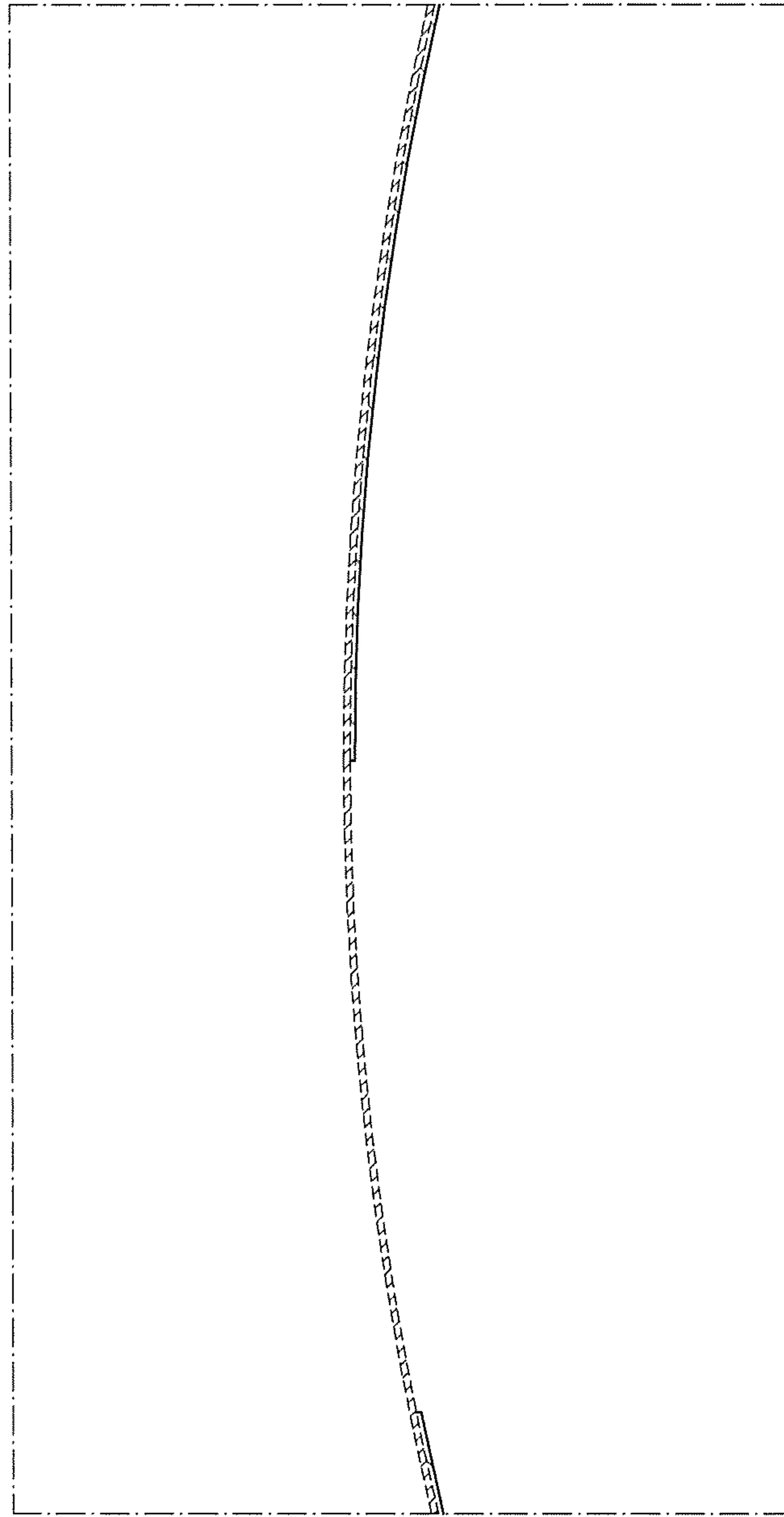


FIG. 13

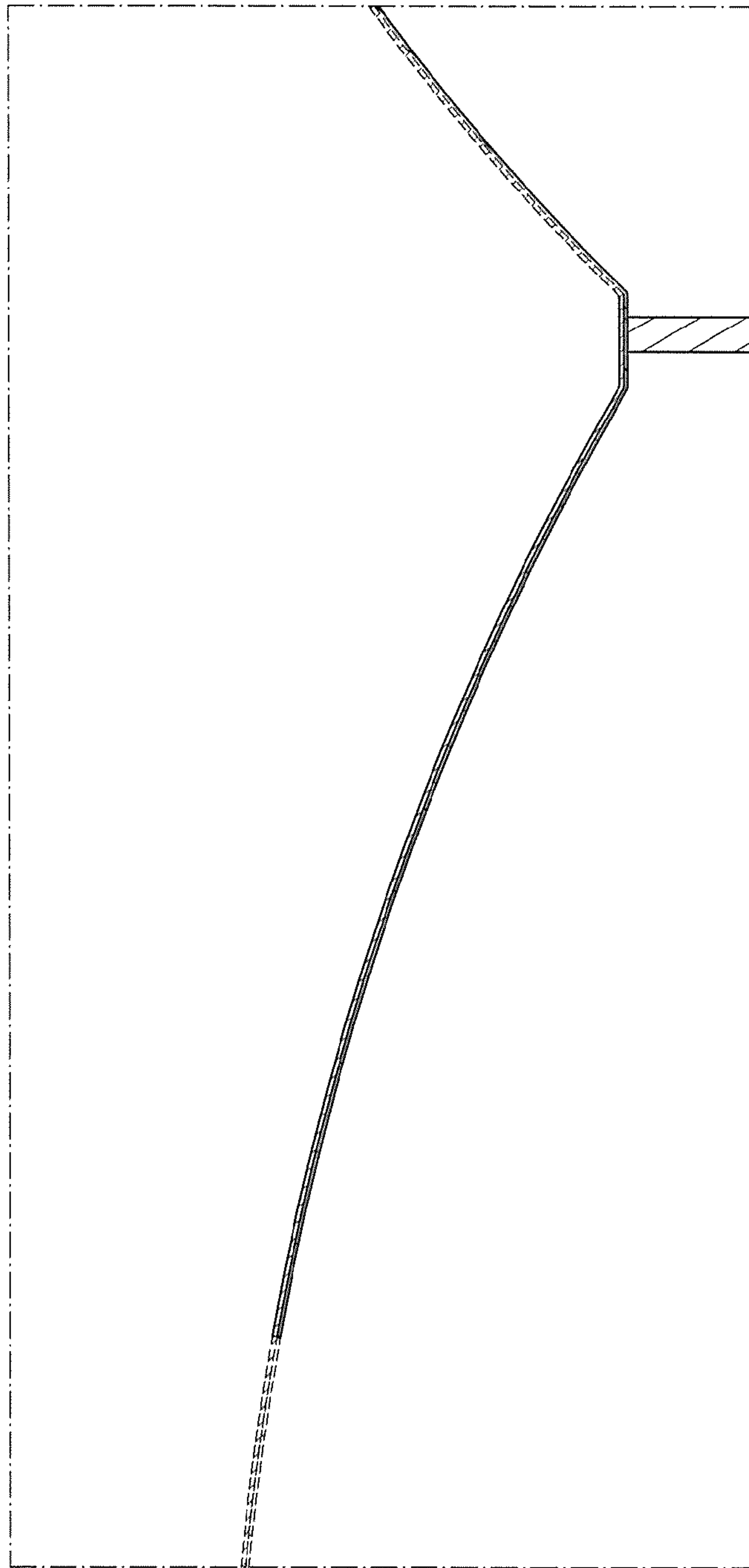


FIG. 14

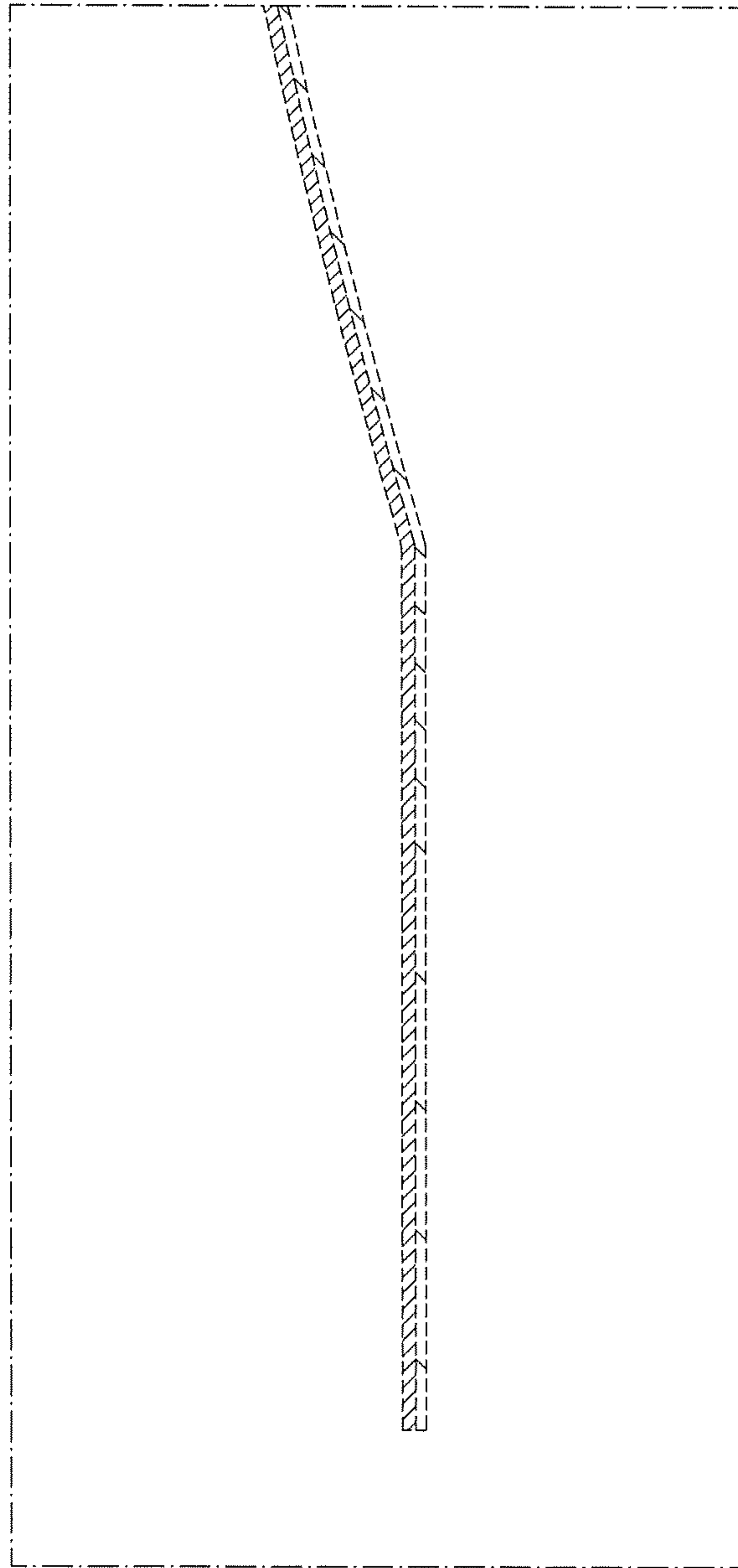


FIG. 15

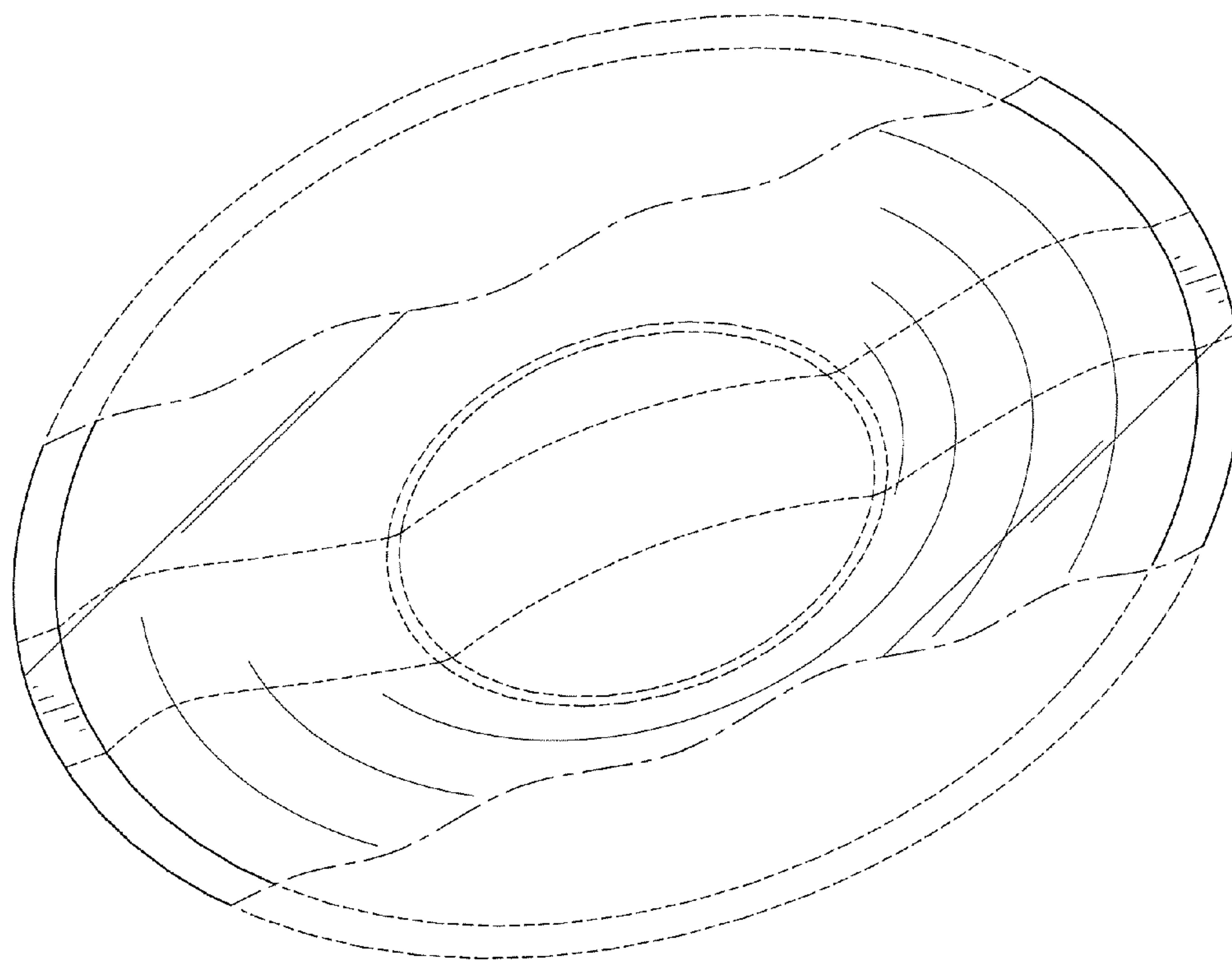


FIG. 16

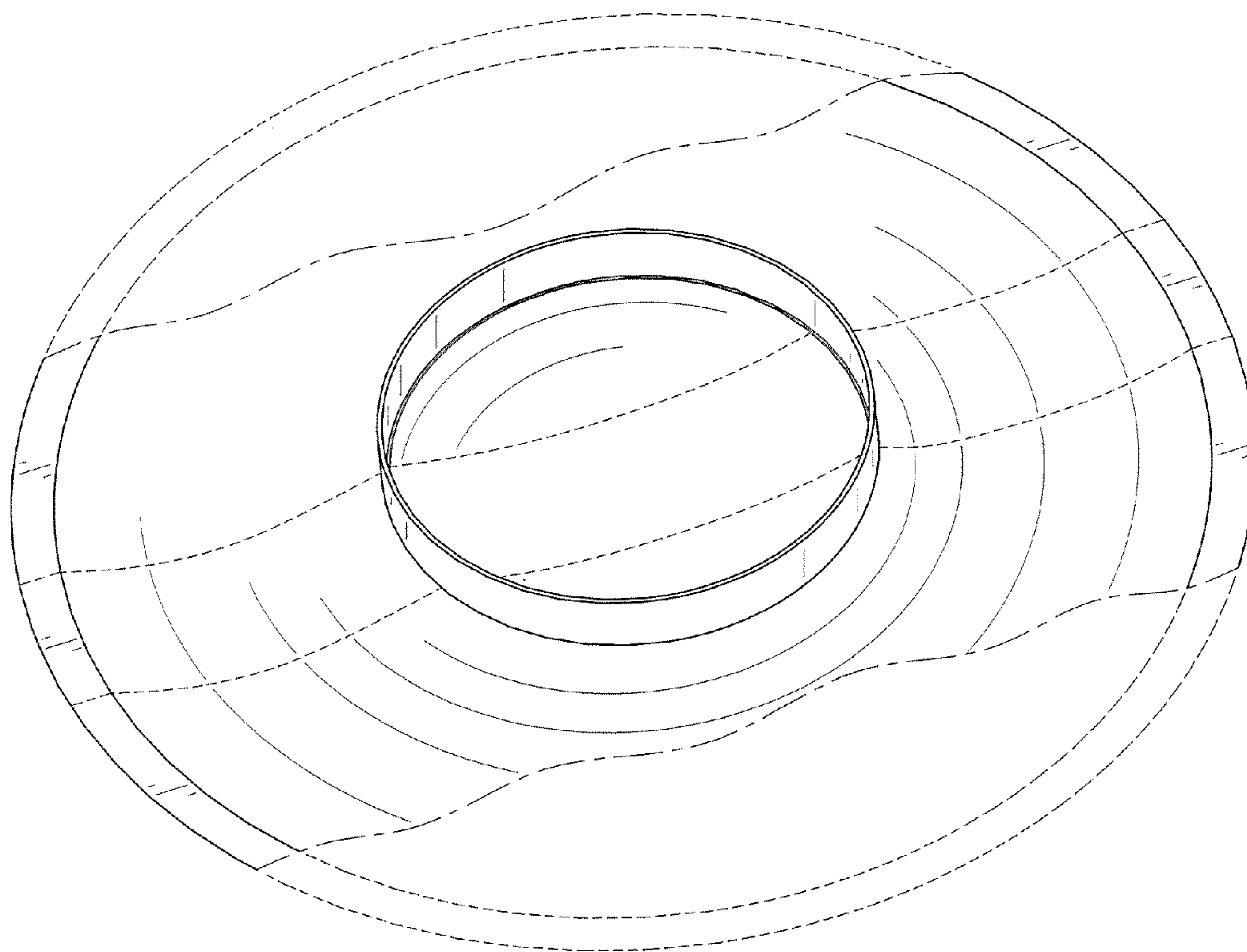


FIG. 17

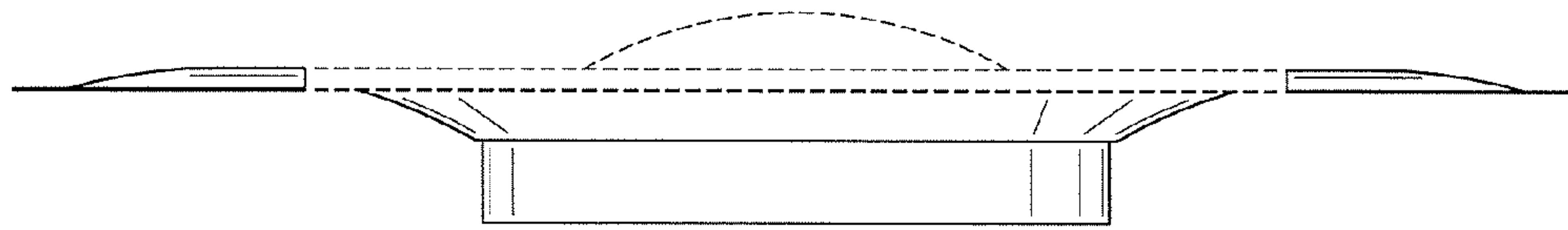


FIG. 18

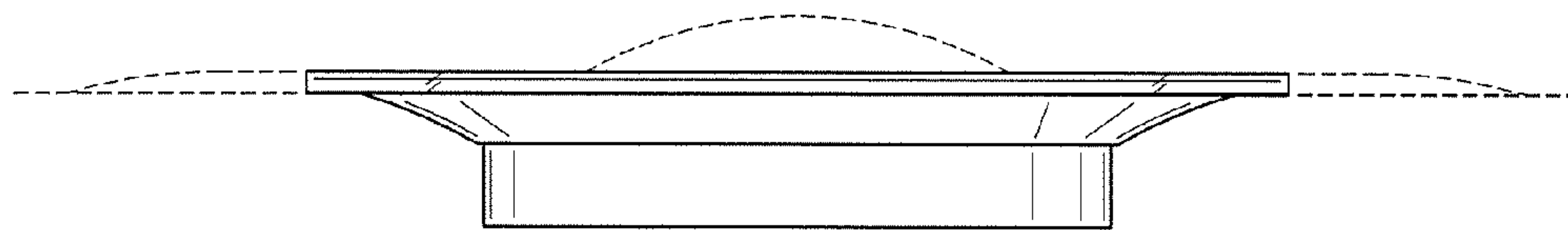


FIG. 19

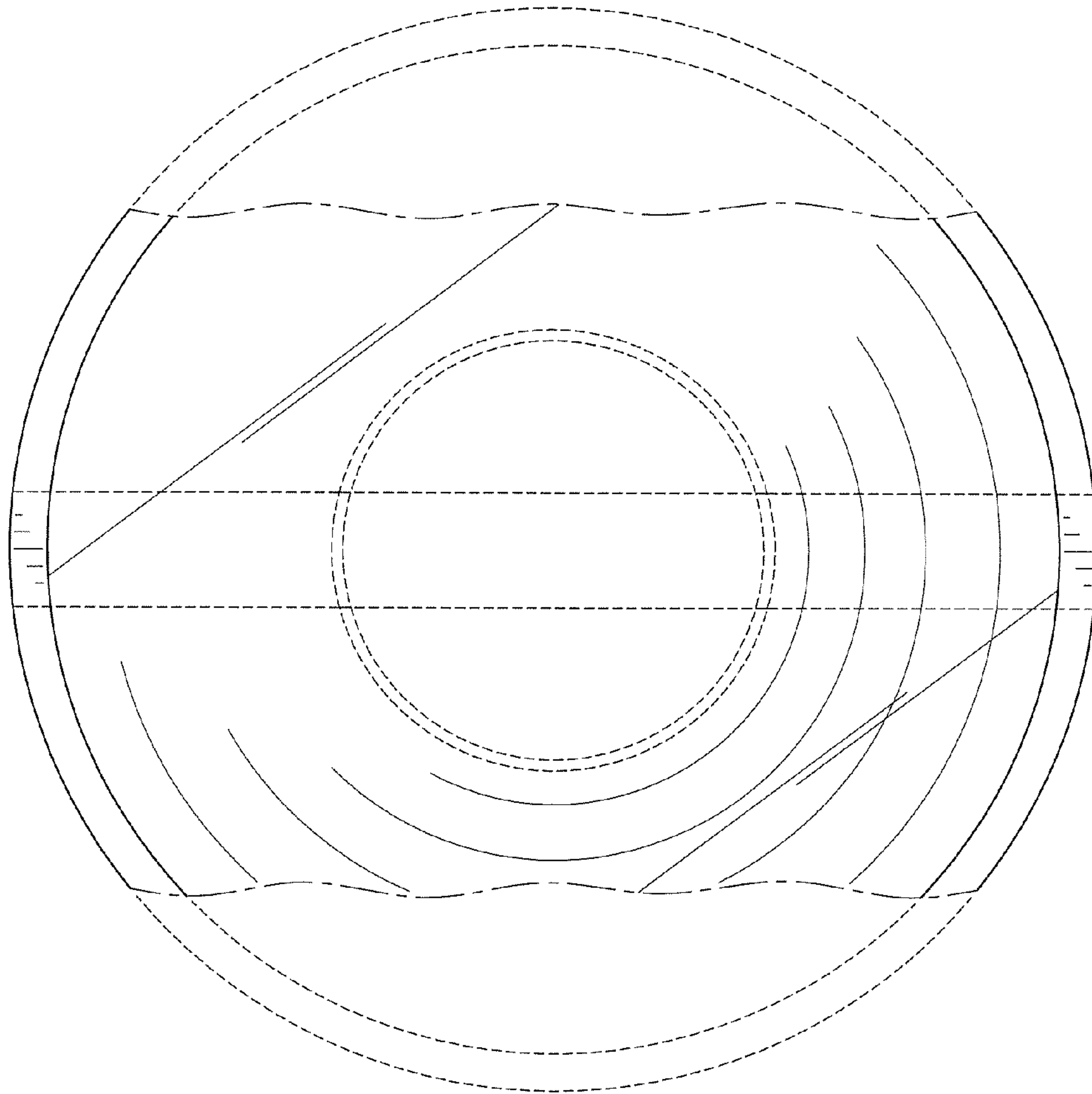


FIG. 20

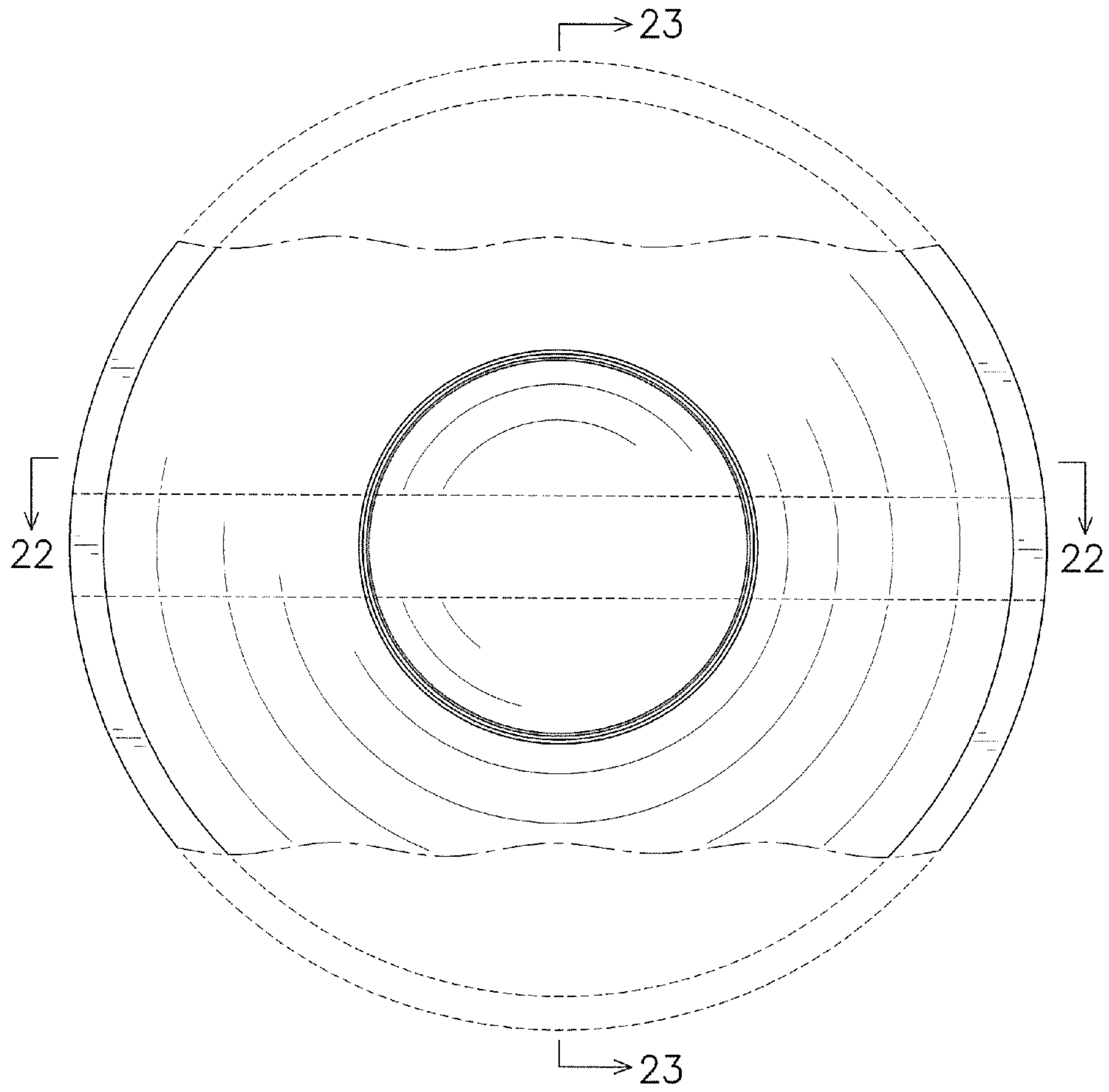


FIG. 21

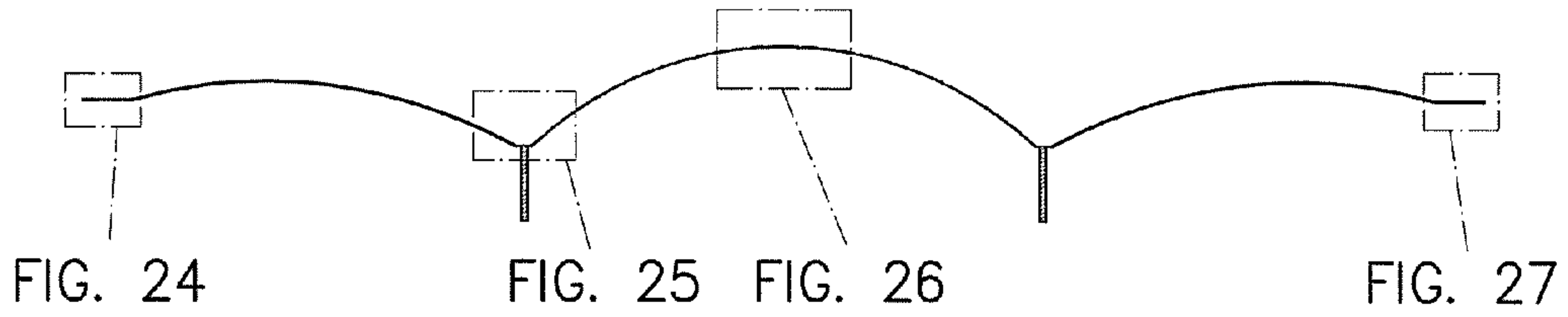


FIG. 22

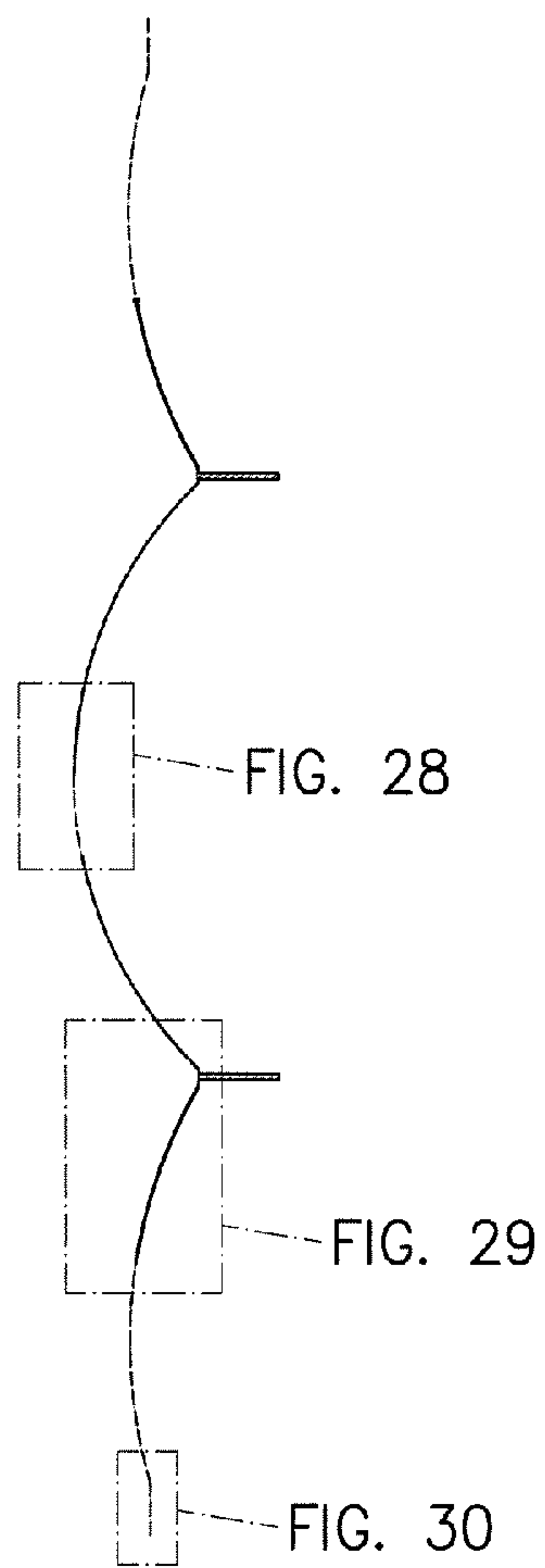


FIG. 23

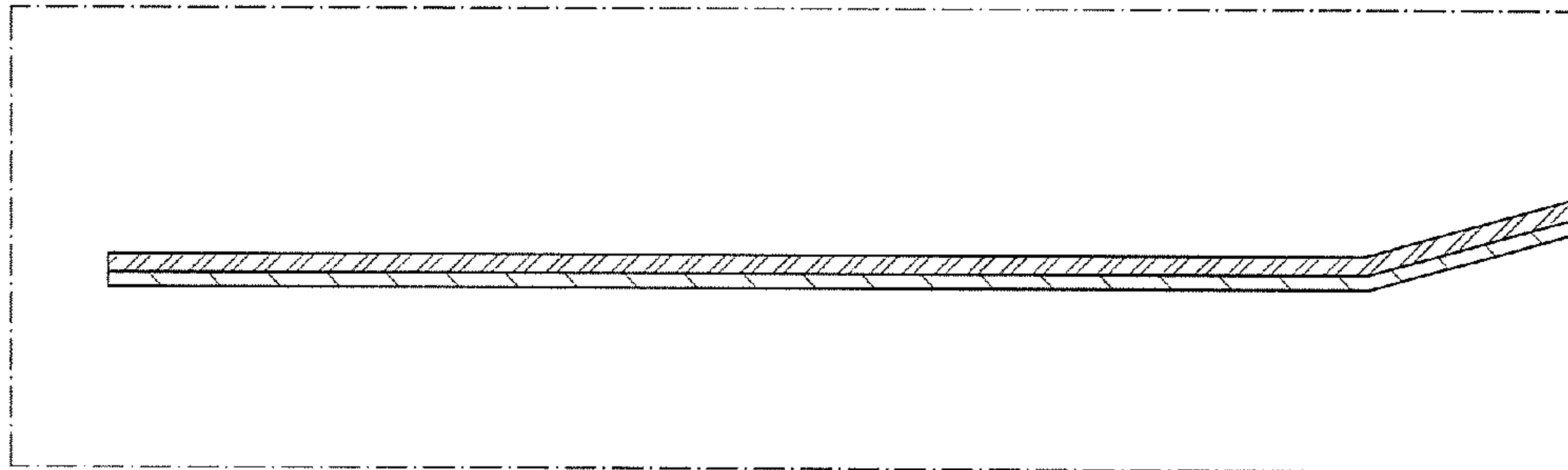


FIG. 24

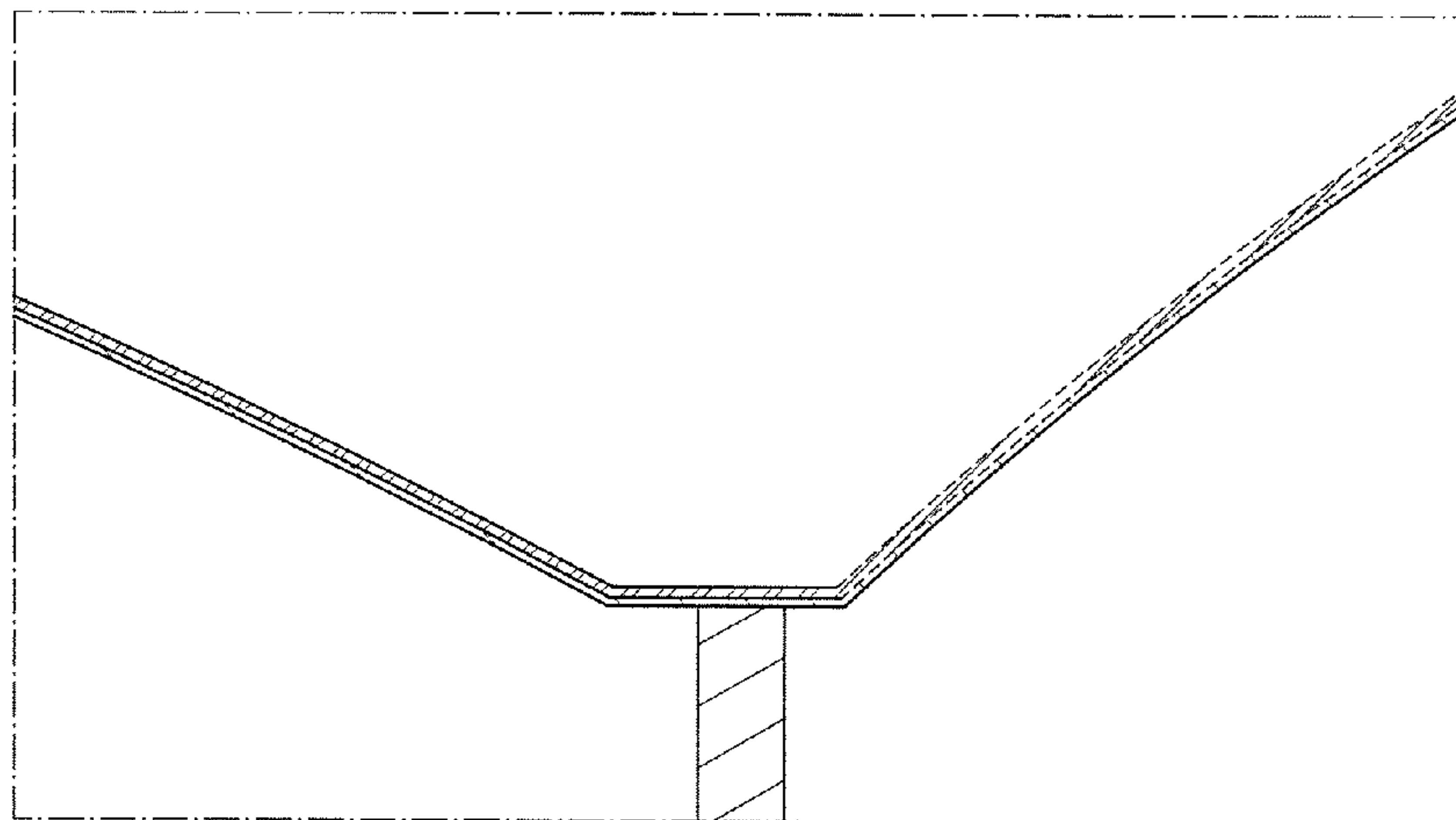


FIG. 25

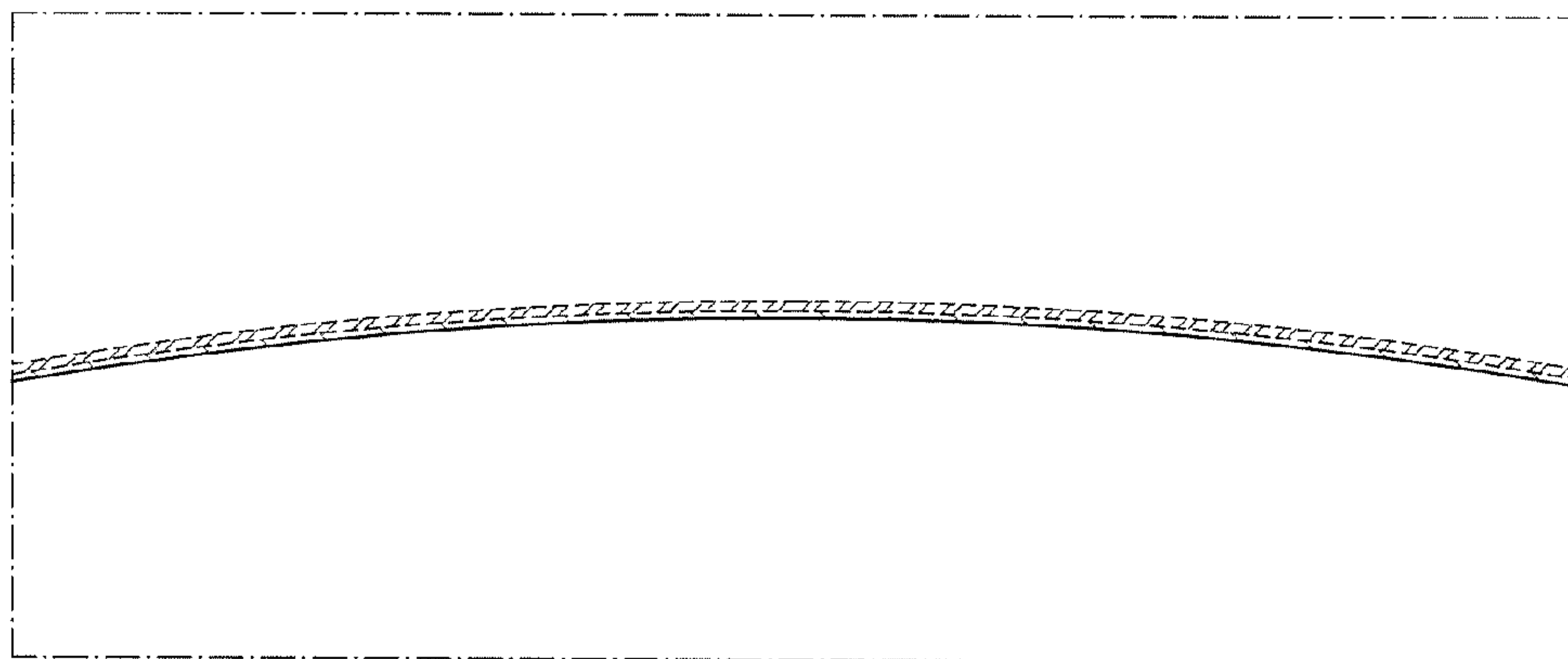


FIG. 26

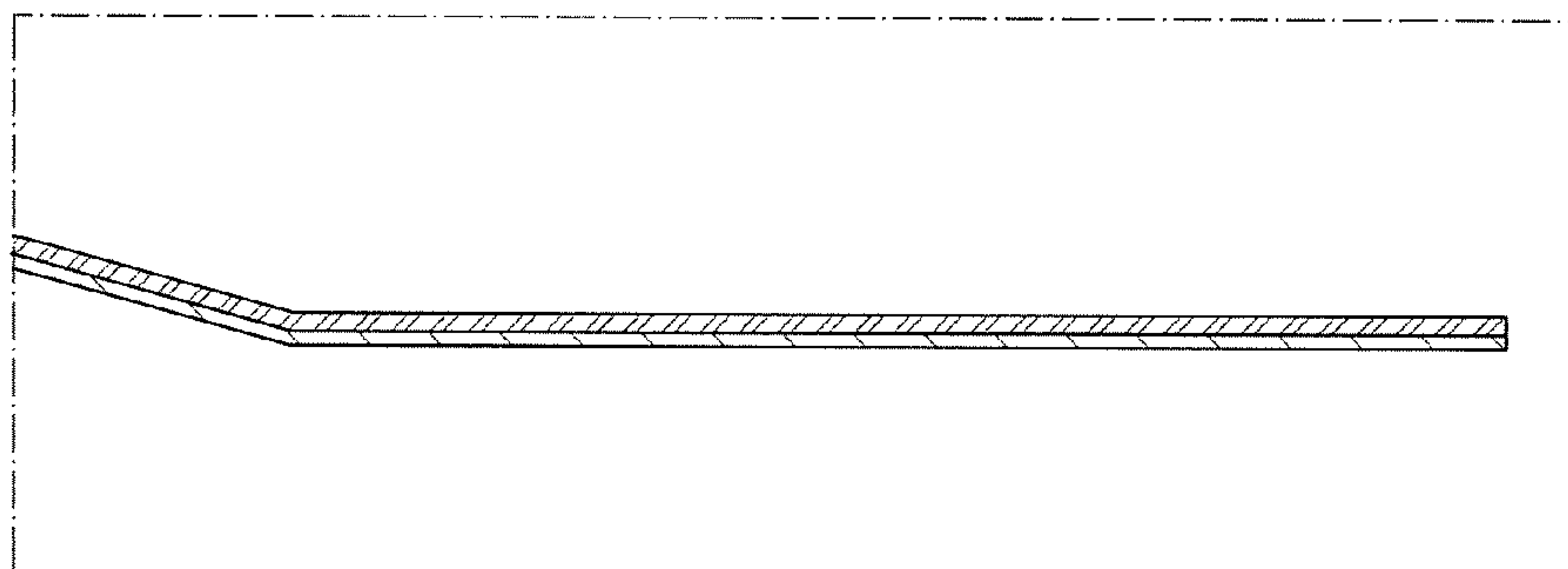


FIG. 27

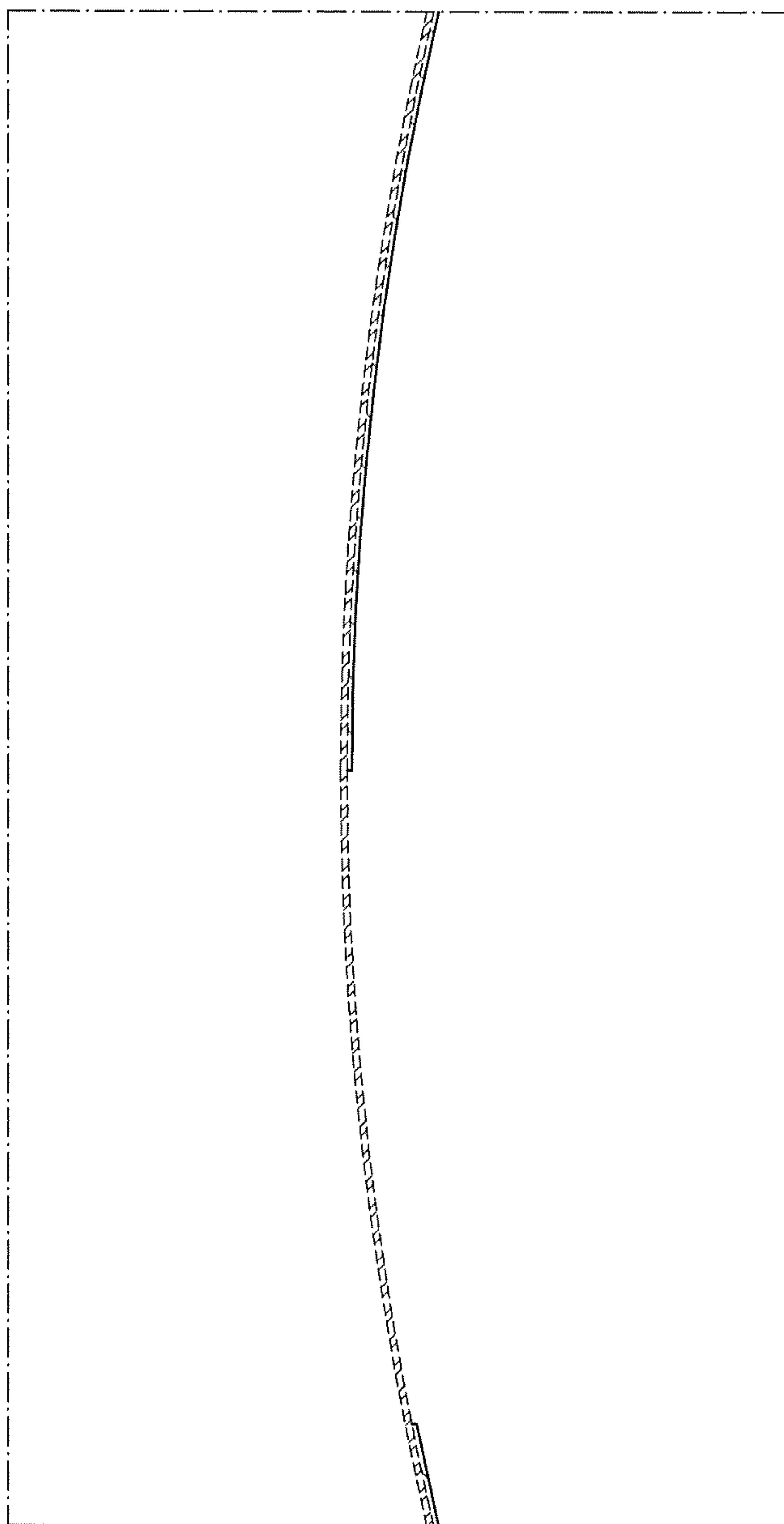


FIG. 28

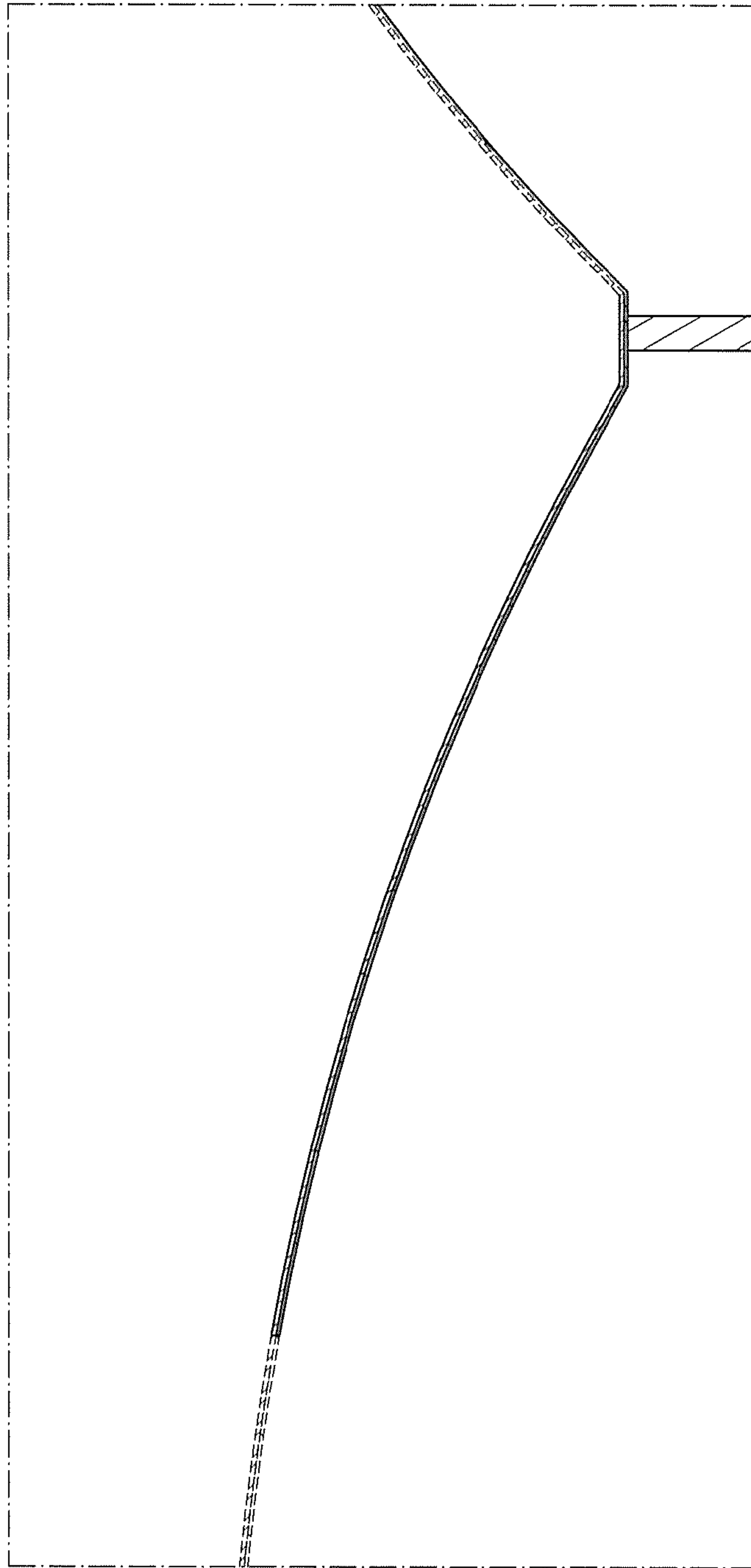


FIG. 29

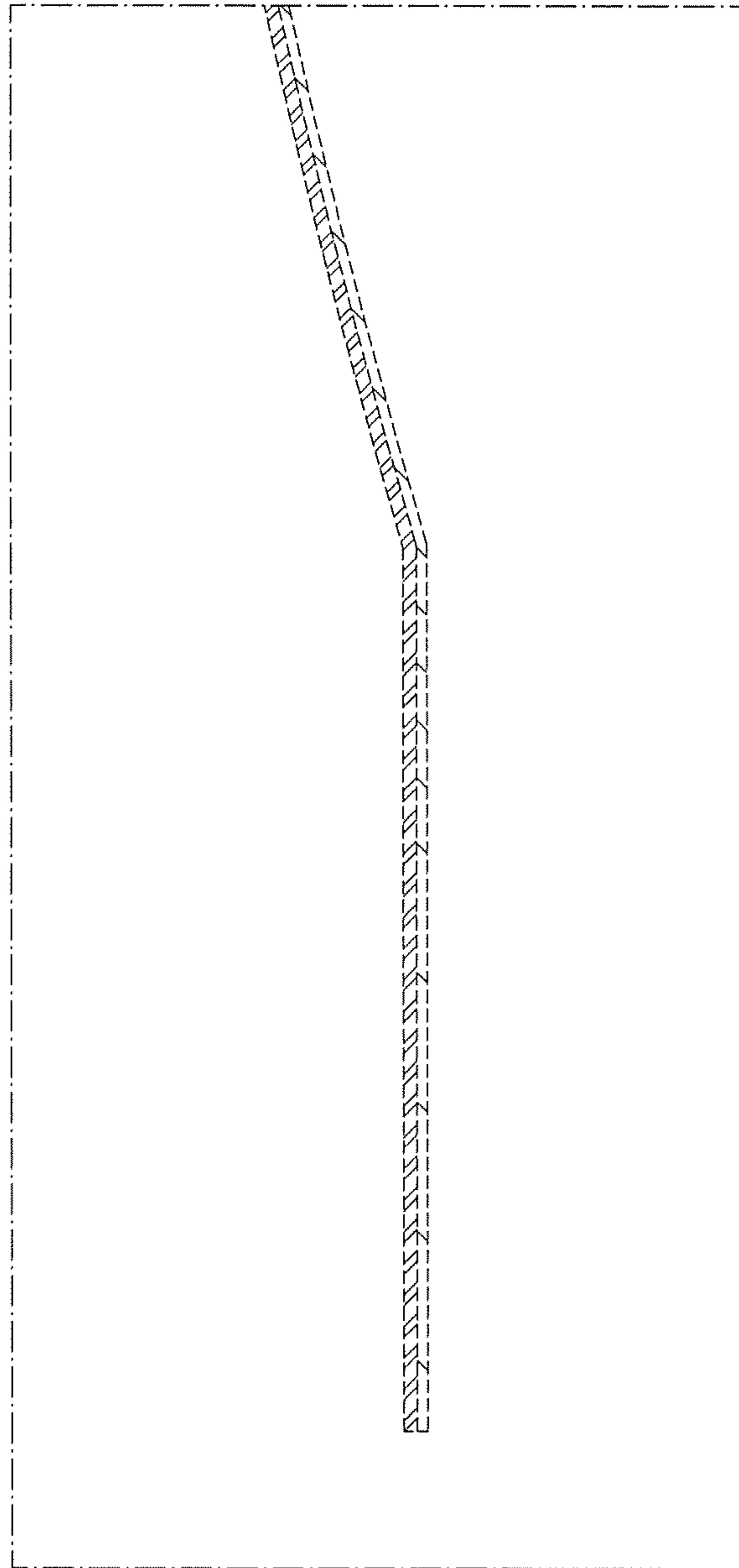


FIG. 30