



US00D738855S

(12) **United States Design Patent**
Park et al.

(10) **Patent No.:** **US D738,855 S**

(45) **Date of Patent:** **** Sep. 15, 2015**

(54) **SPEAKER FOR HOME THEATERS**

H04R 2499/15; H04S 3/00; H04S 7/30
See application file for complete search history.

(71) Applicant: **LG ELECTRONICS INC.**, Seoul (KR)

(56) **References Cited**

(72) Inventors: **Soo Young Park**, Seoul (KR); **Yong Soo Kim**, Seoul (KR)

U.S. PATENT DOCUMENTS

(73) Assignee: **LG ELECTRONICS INC.**, Seoul (KR)

D676,422	S	*	2/2013	Onoue	D14/214
D683,330	S	*	5/2013	Ryu et al.	D14/209.1
D687,812	S	*	8/2013	Lee	D14/211
D715,767	S	*	10/2014	Woo et al.	D14/213
D716,262	S	*	10/2014	Kim et al.	D14/215
D716,266	S	*	10/2014	Kim et al.	D14/215

(**) Term: **14 Years**

* cited by examiner

(21) Appl. No.: **29/459,634**

Primary Examiner — Keli L Hill

(22) Filed: **Jul. 2, 2013**

(74) *Attorney, Agent, or Firm* — Birch, Stewart, Kolasch & Birch, LLP

(30) **Foreign Application Priority Data**

Jan. 3, 2013 (KR) 30-2013-0000351

(51) **LOC (10) Cl.** **14-03**

(52) **U.S. Cl.**
USPC **D14/215**; D14/213

(58) **Field of Classification Search**

USPC D14/167, 168, 170–172, 188, 194–196,
D14/204, 207, 209.1, 210–216, 219, 221,
D14/222, 224, 496; 181/143, 144, 147, 148,
181/150, 153, 157, 198, 199; 381/300–303,
381/306, 332, 333, 336, 345, 361–364,
381/386–388; 369/6–12

CPC B60R 11/0217; G06F 1/1688; H04M 1/03;
H04M 1/035; H04R 1/02; H04R 1/06; H04R
1/021; H04R 1/025; H04R 1/026; H04R
1/028; H04R 1/105; H04R 1/323; H04R
1/403; H04R 1/2803; H04R 1/2834; H04R
5/02; H04R 7/20; H04R 9/06; H04R 9/025;
H04R 2201/021; H04R 2400/00; H04R
2400/07; H04R 2499/11; H04R 2499/13;

(57) **CLAIM**

We claim the ornamental design for a speaker for home theaters, as shown and described.

DESCRIPTION

FIG. 1 is a perspective view of a speaker for home theaters showing the new design:

FIG. 2 is a front elevation view thereof;

FIG. 3 is a rear elevation view thereof;

FIG. 4 is a left-side elevation view thereof;

FIG. 5 is a right-side elevation view thereof;

FIG. 6 is a top plan view thereof; and,

FIG. 7 is a bottom plan view thereof.

The broken lines shown in the drawings represent unclaimed portions of the speaker for home theater and form no part of the claimed design.

1 Claim, 4 Drawing Sheets

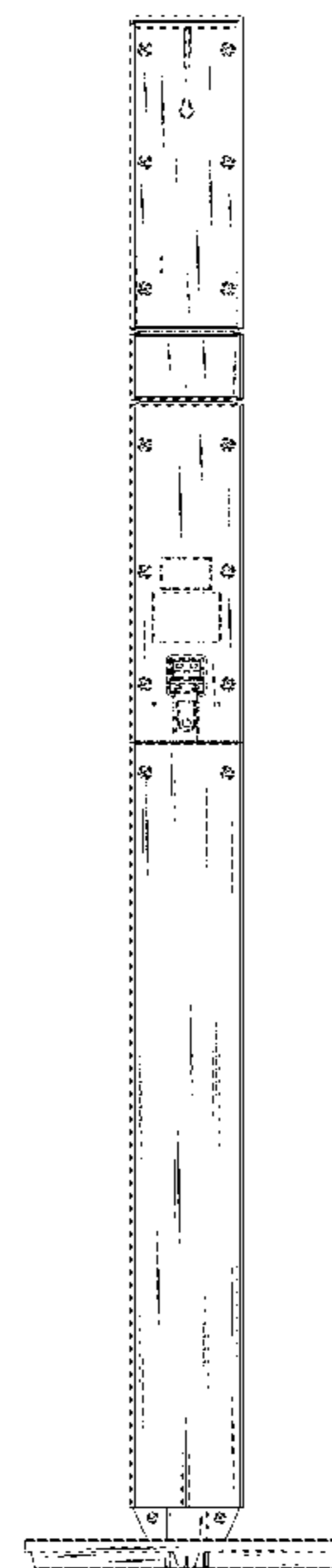
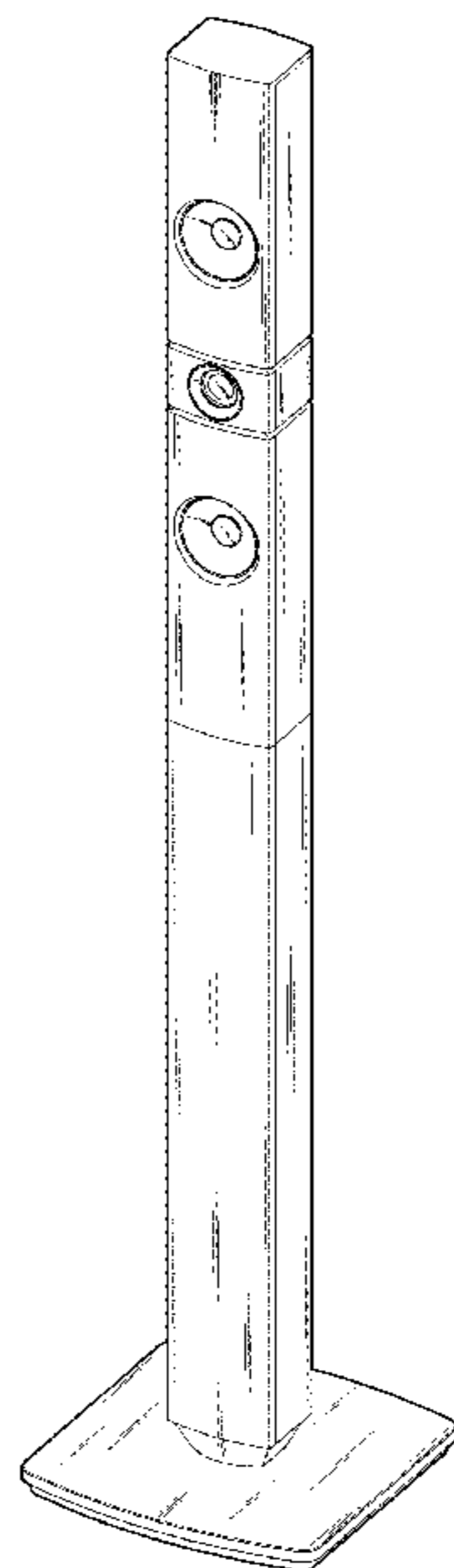


FIG. 1

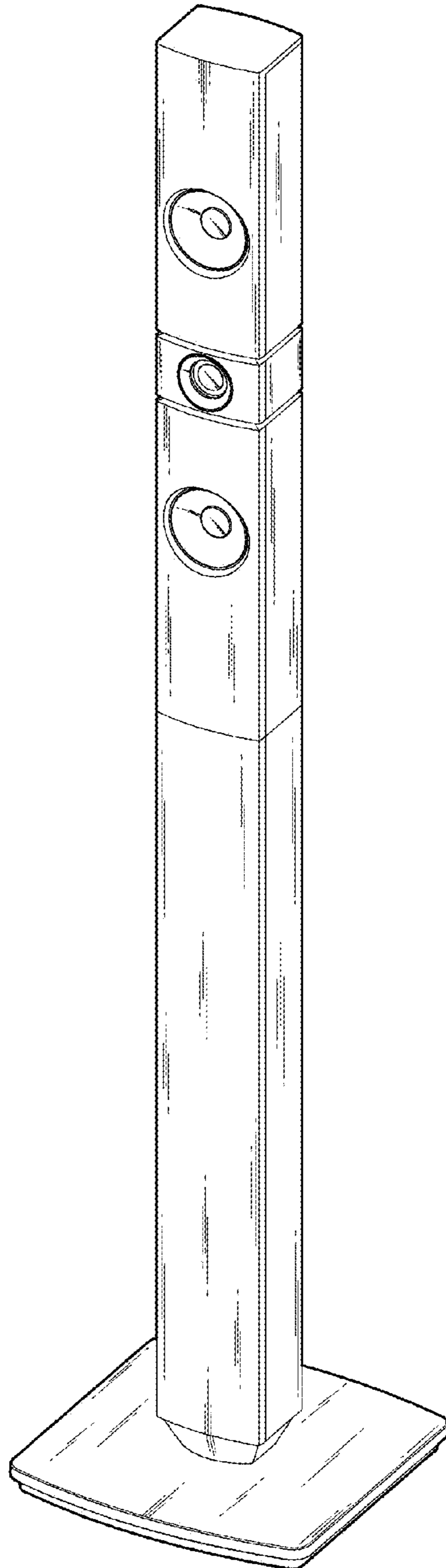


FIG. 2

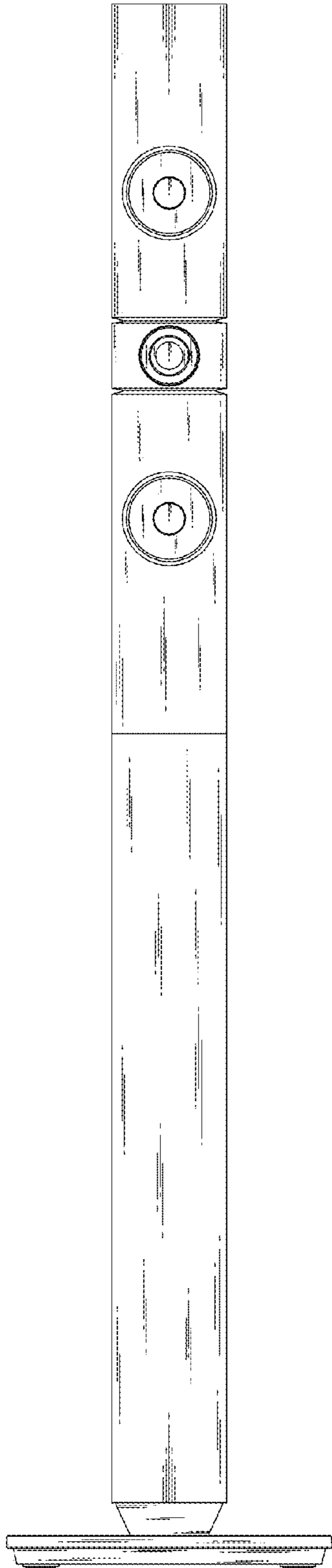


FIG. 3

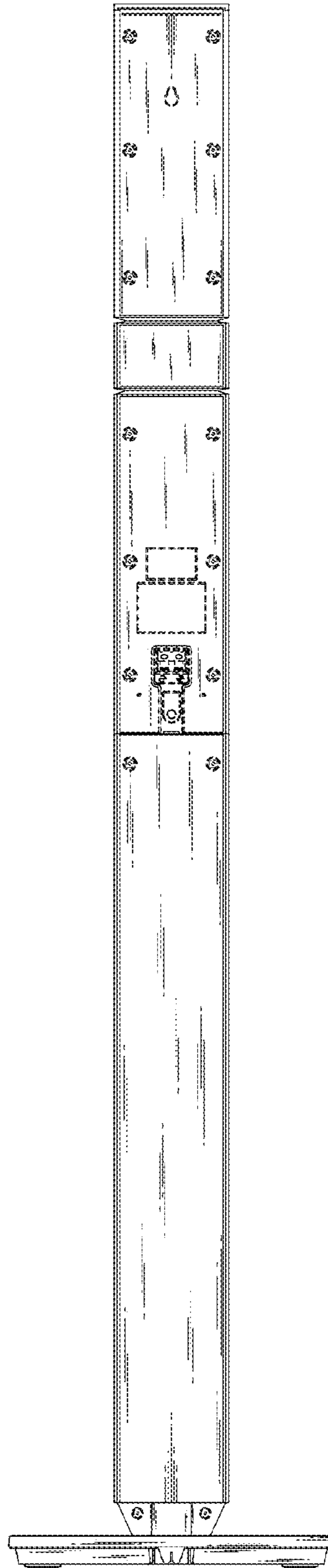


FIG. 4

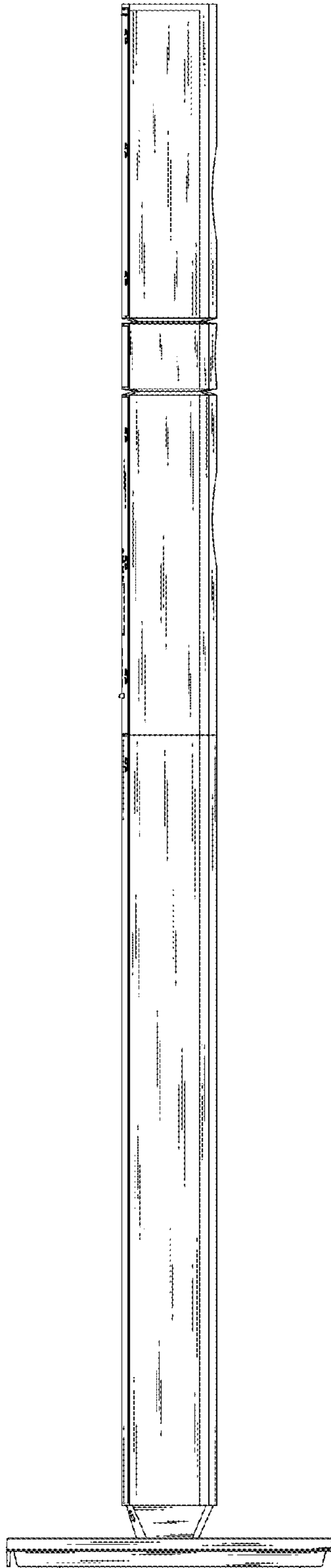


FIG. 5

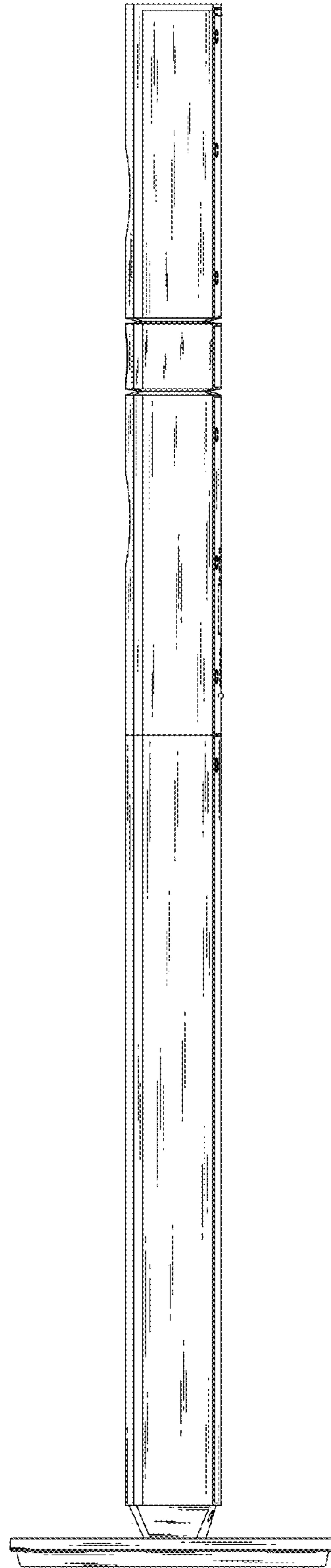


FIG. 6

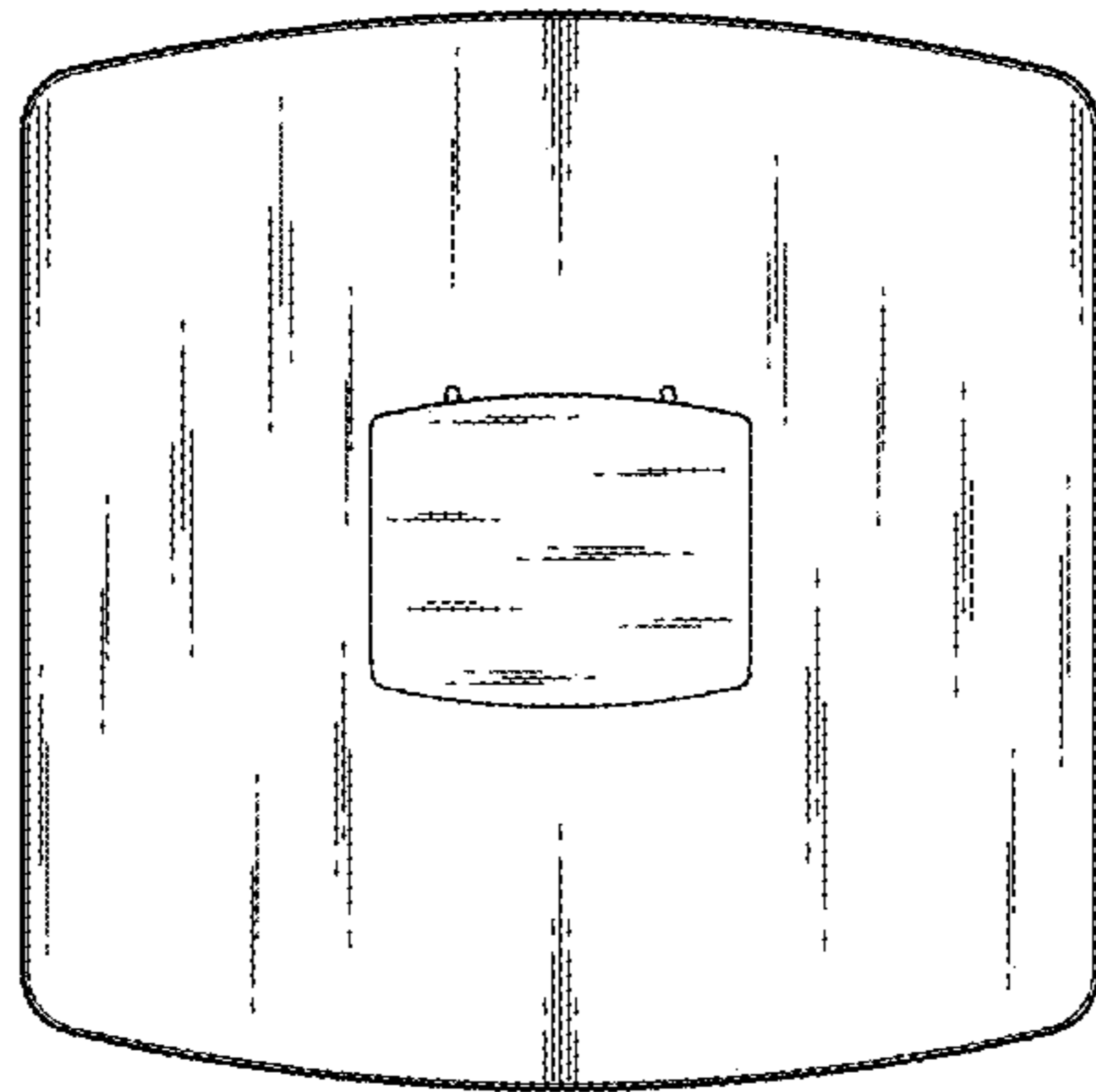


FIG. 7

