



US00D738848S

(12) **United States Design Patent**  
**Loudon et al.**

(10) **Patent No.:** **US D738,848 S**

(45) **Date of Patent:** **\*\* Sep. 15, 2015**

(54) **PORTABLE DEVICE WITH STRAP**

(71) Applicant: **DUBGEAR INC.**, Etobicoke (CA)

(72) Inventors: **Jonathan Paul Loudon**, Toronto (CA);  
**Jansen Leslie White**, Etobicoke (CA);  
**Heather Chi-Ying Lam**, Toronto (CA);  
**Kevin Martin Armour**, Toronto (CA)

(73) Assignee: **DUBGEAR INC.**, Etobicoke (CA)

(\*\*) Term: **14 Years**

(21) Appl. No.: **29/472,325**

(22) Filed: **Nov. 11, 2013**

**Related U.S. Application Data**

(62) Division of application No. 29/440,461, filed on Dec. 21, 2012, now Pat. No. Des. 697,052.

(51) **LOC (10) Cl.** ..... **14-03**

(52) **U.S. Cl.**  
USPC ..... **D14/192**; D14/214; D3/218

(58) **Field of Classification Search**  
USPC ..... D14/167, 172, 194–196, 204, 207,  
D14/209.1, 210–216, 221, 222, 224;  
181/143, 144, 147, 148, 150, 153, 157,  
181/198, 199; 381/300–303, 306, 332, 333,  
381/336, 345, 361–364, 386–388; D3/215,  
D3/218; D11/200  
CPC .... B60R 11/0217; G06F 1/1688; H04M 1/03;  
H04M 1/035; H04N 5/642; H04N 21/4852;  
H04R 1/02; H04R 1/06; H04R 1/021; H04R  
1/025; H04R 1/026; H04R 1/028; H04R  
1/105; H04R 1/323; H04R 1/403; H04R  
1/2803; H04R 1/2834; H04R 5/02; H04R  
7/20; H04R 9/06; H04R 9/025; H04R  
2201/021; H04R 2400/00; H04R 2400/07;  
H04R 2499/11; H04R 2499/13; H04R  
2499/15; H04S 3/00; H04S 7/30

See application file for complete search history.

(56) **References Cited**

U.S. PATENT DOCUMENTS

D302,766 S *	8/1989	Johnston	.....	D3/233
D302,903 S *	8/1989	Johnston	.....	D3/274
D334,285 S *	3/1993	Wilson	.....	D3/218
D367,761 S *	3/1996	Knutson	.....	D3/327
D590,811 S *	4/2009	Pauschitz et al.	.....	D14/215
D629,192 S *	12/2010	Pueblo	.....	D3/218
D631,650 S *	2/2011	Li	.....	D3/218
D674,777 S *	1/2013	Tsai	.....	D14/209.1

\* cited by examiner

*Primary Examiner* — Keli L Hill

(74) *Attorney, Agent, or Firm* — Bhole IP Law; Anil Bhole

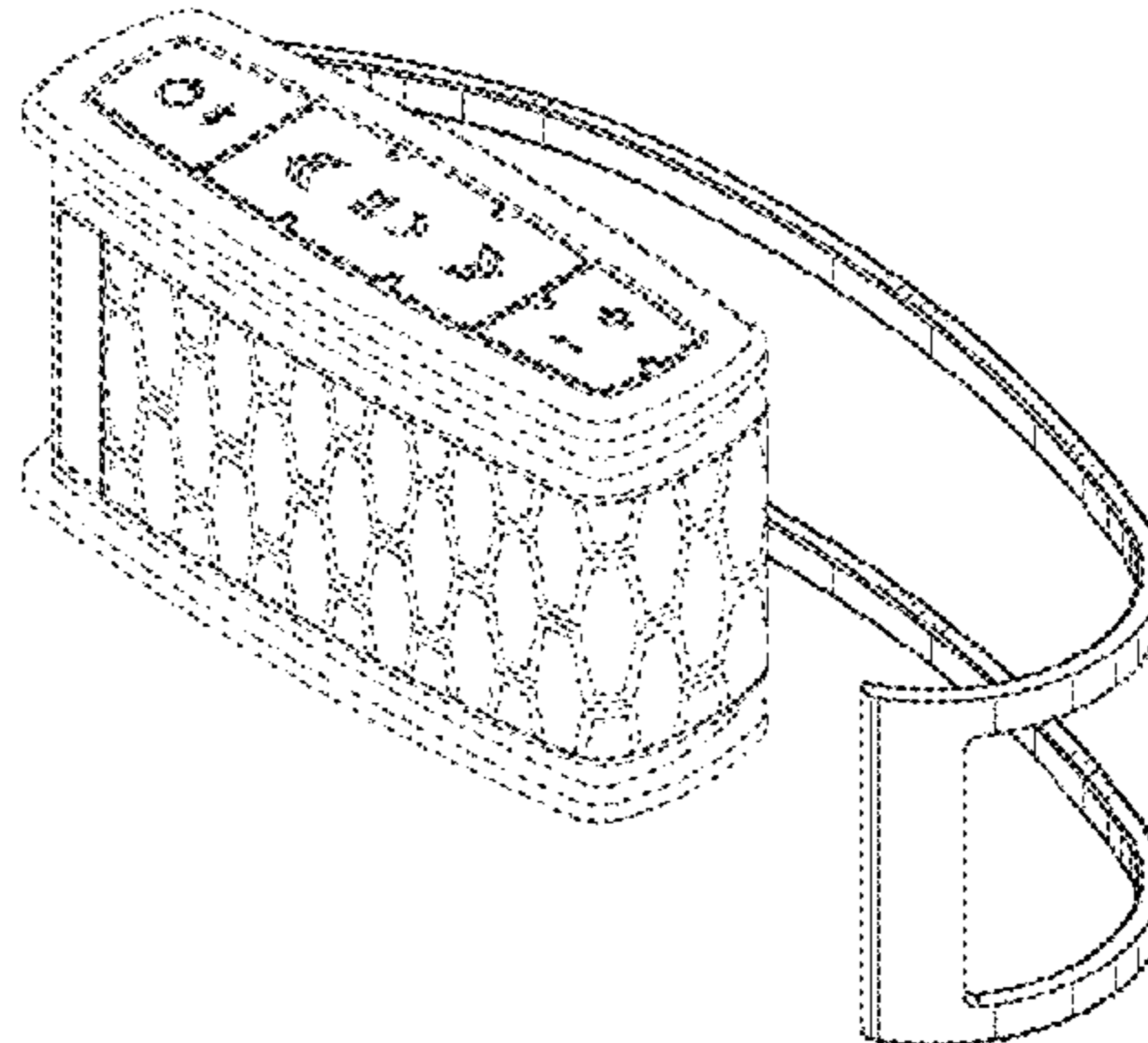
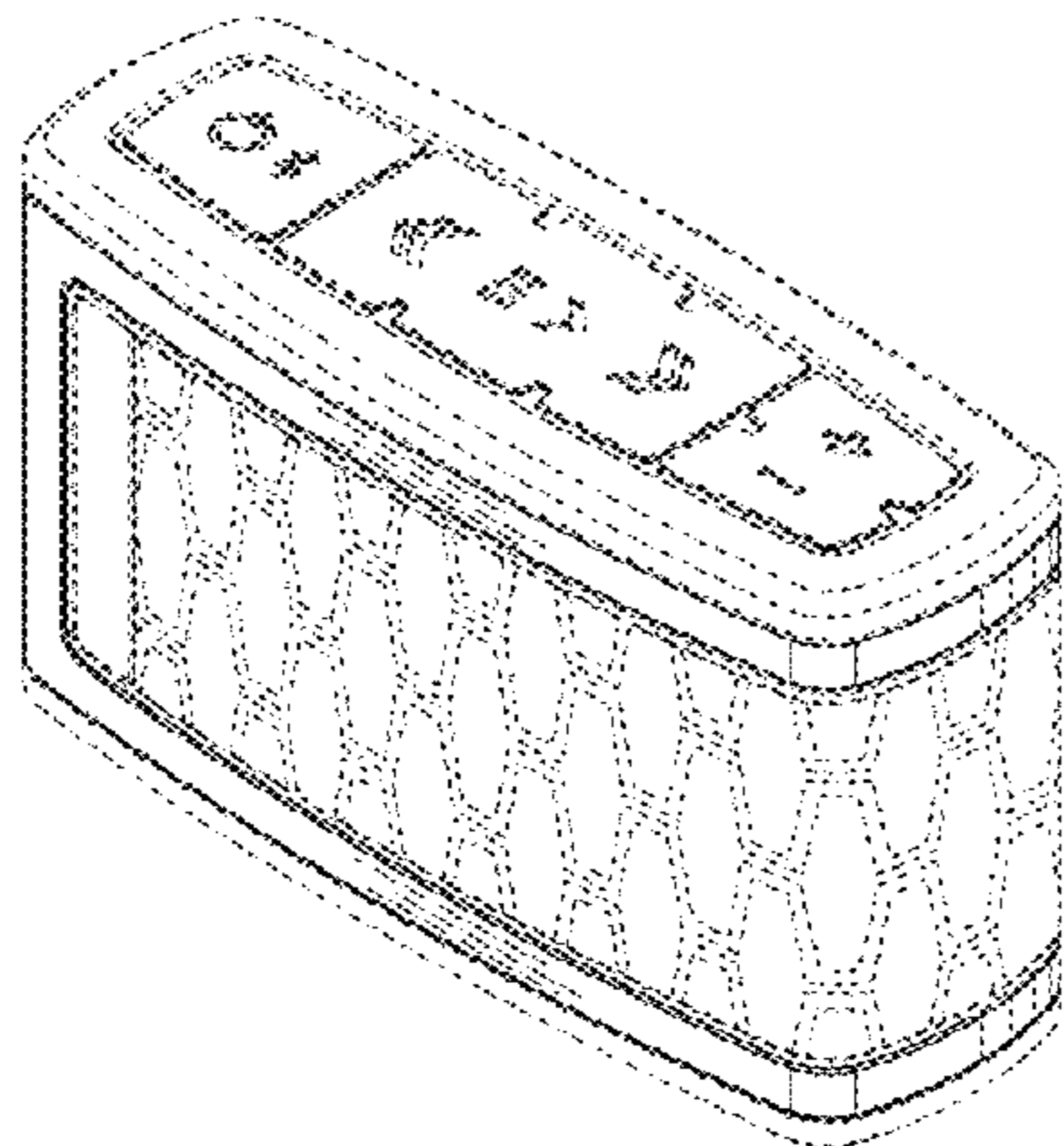
(57) **CLAIM**

The ornamental design for the portable device with strap, as shown, or as shown and described.

**DESCRIPTION**

FIG. 1 is a front perspective view of a strap furled around an exemplary portable device;  
FIG. 2 is a front view of the strap furled around the portable device;  
FIG. 3 is a rear view of the strap furled around the portable device;  
FIG. 4 is a side view of the strap furled around the portable device;  
FIG. 5 is an opposing side view of the strap furled around the portable device;  
FIG. 6 is a front perspective view of the strap partially unfurled; and,  
FIG. 7 is a front perspective view of the strap fully unfurled. The broken lines shown are included for the purpose of illustrating portions of the portable device with strap that form no part of the claim.

**1 Claim, 3 Drawing Sheets**



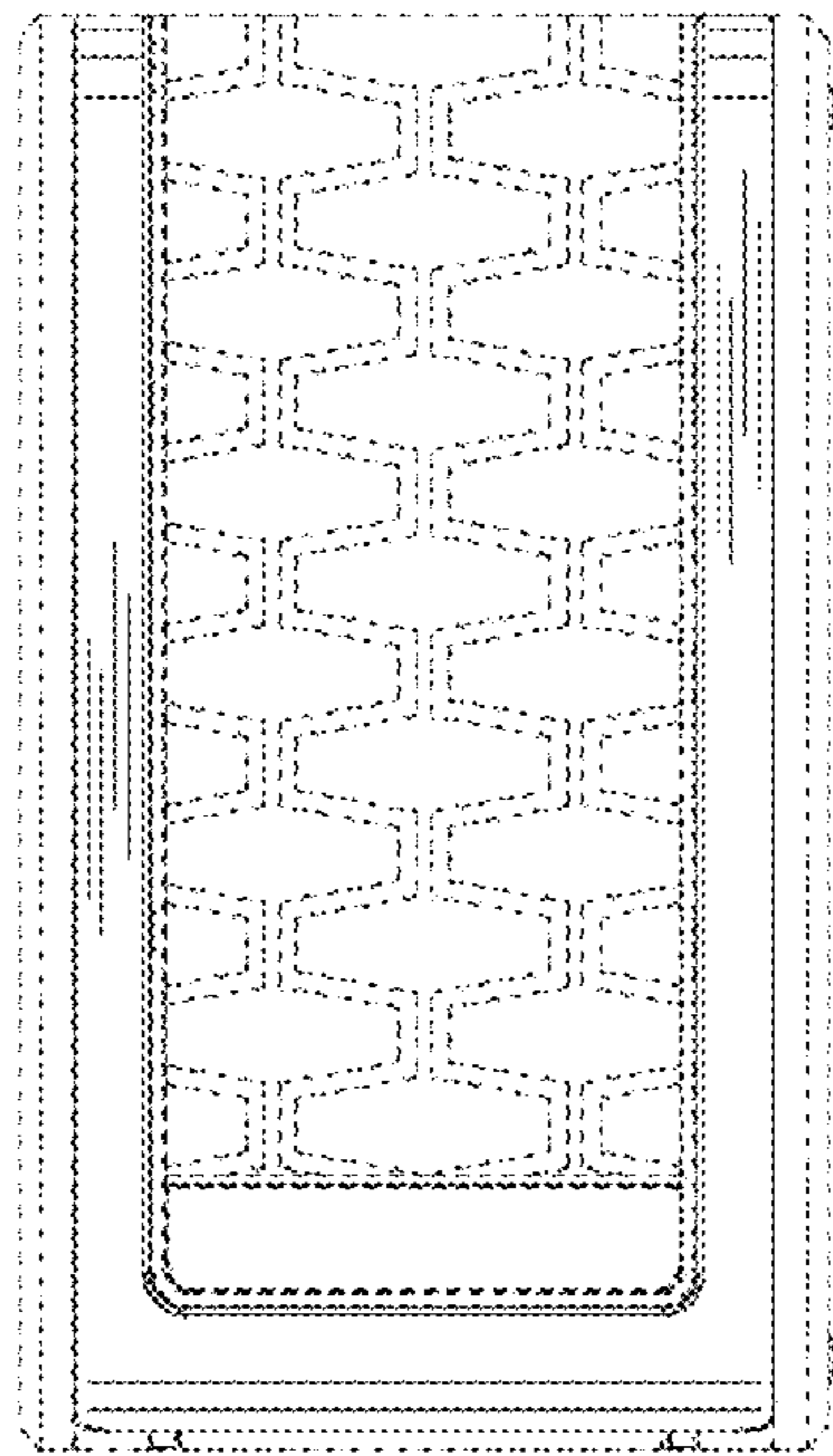


FIG. 2

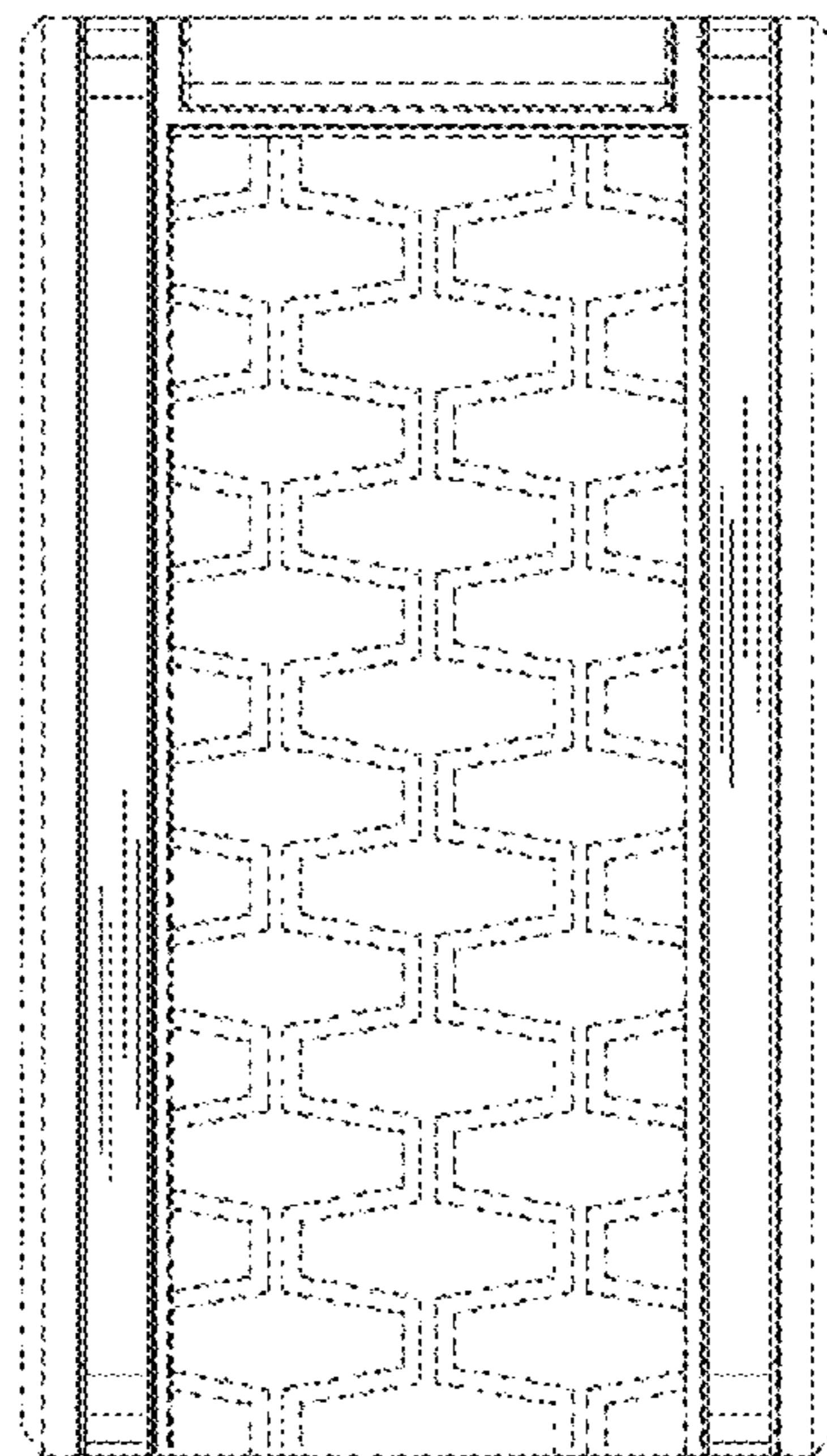


FIG. 3

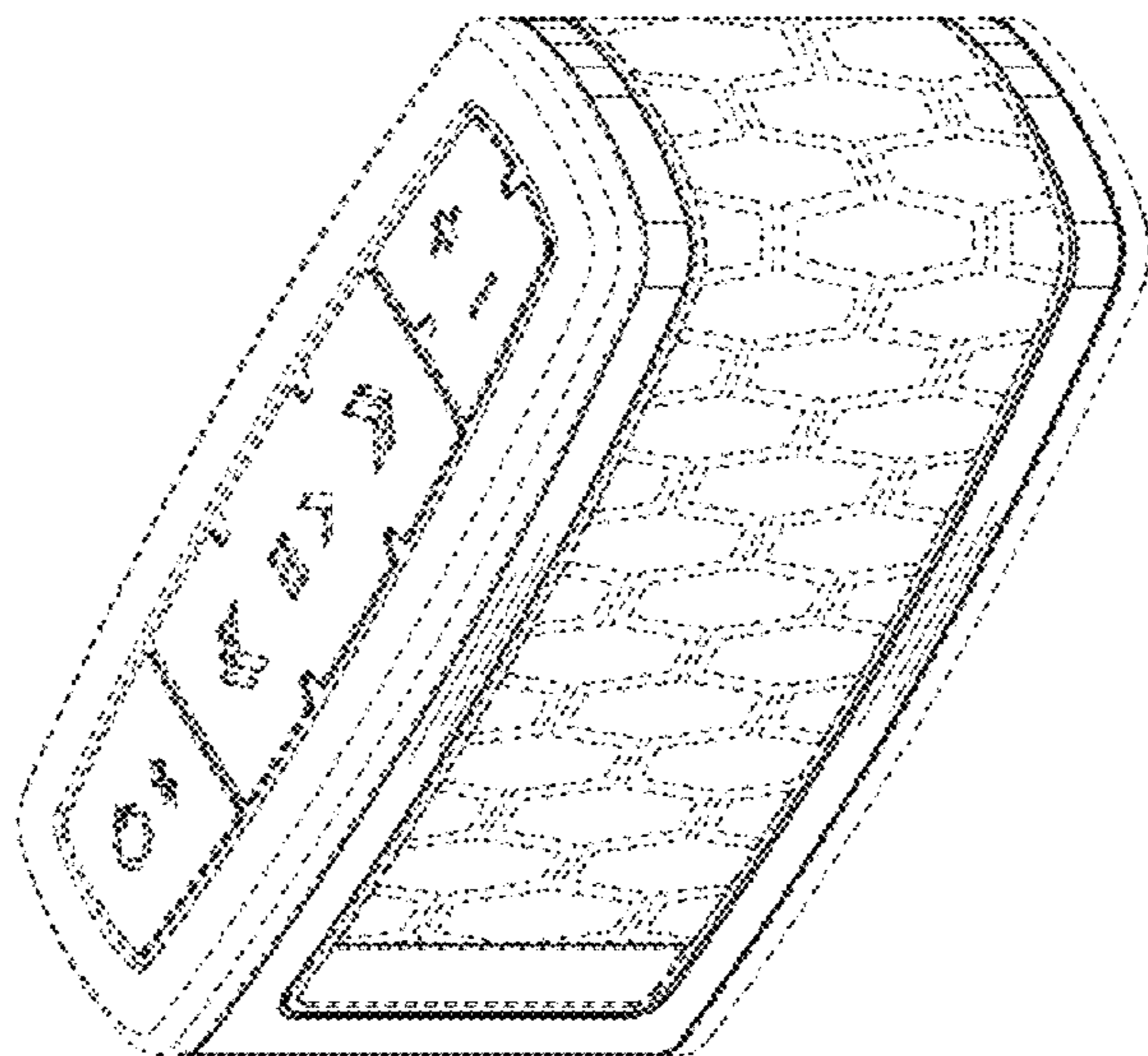


FIG. 1

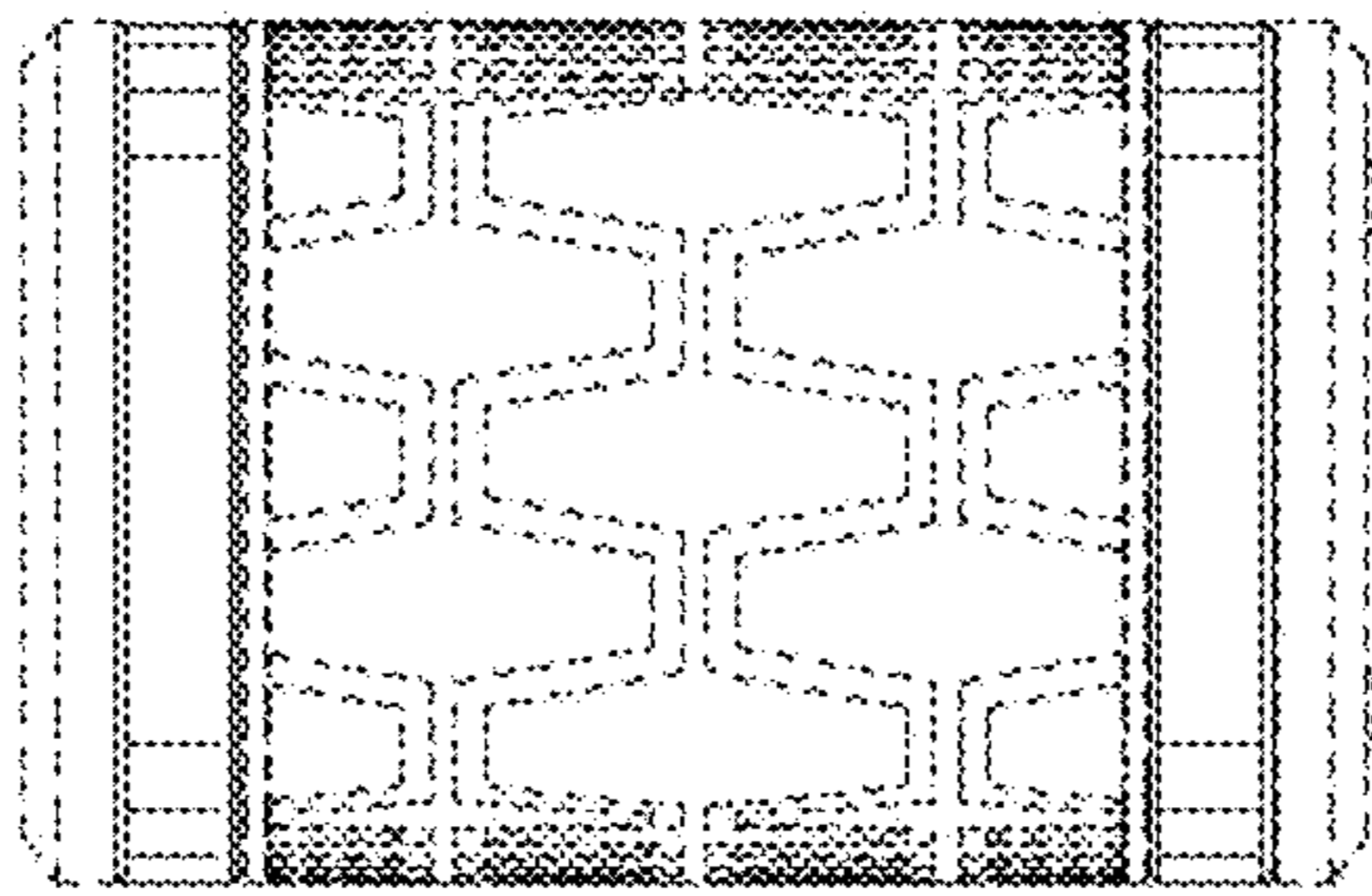


FIG. 5

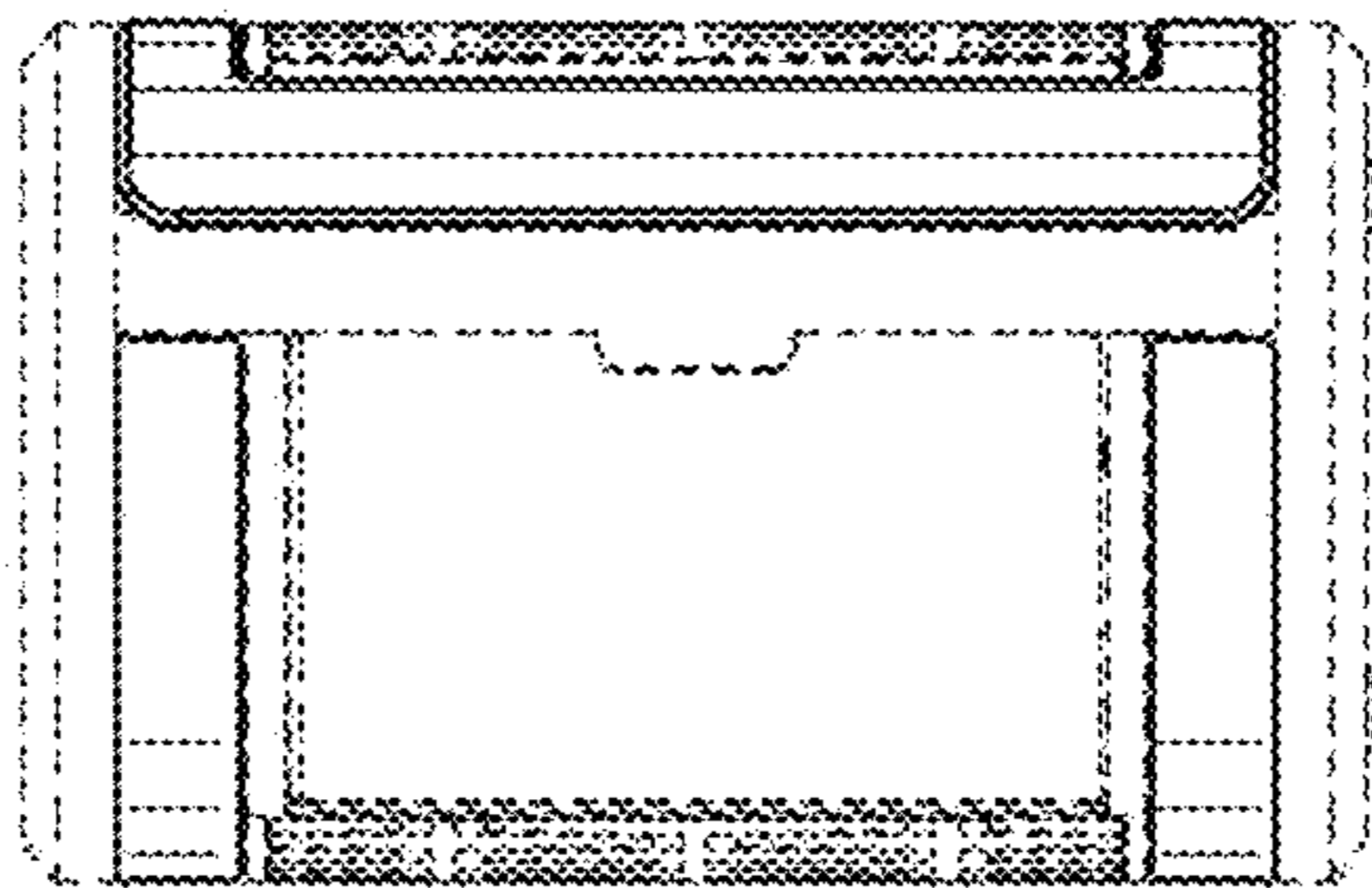


FIG. 4

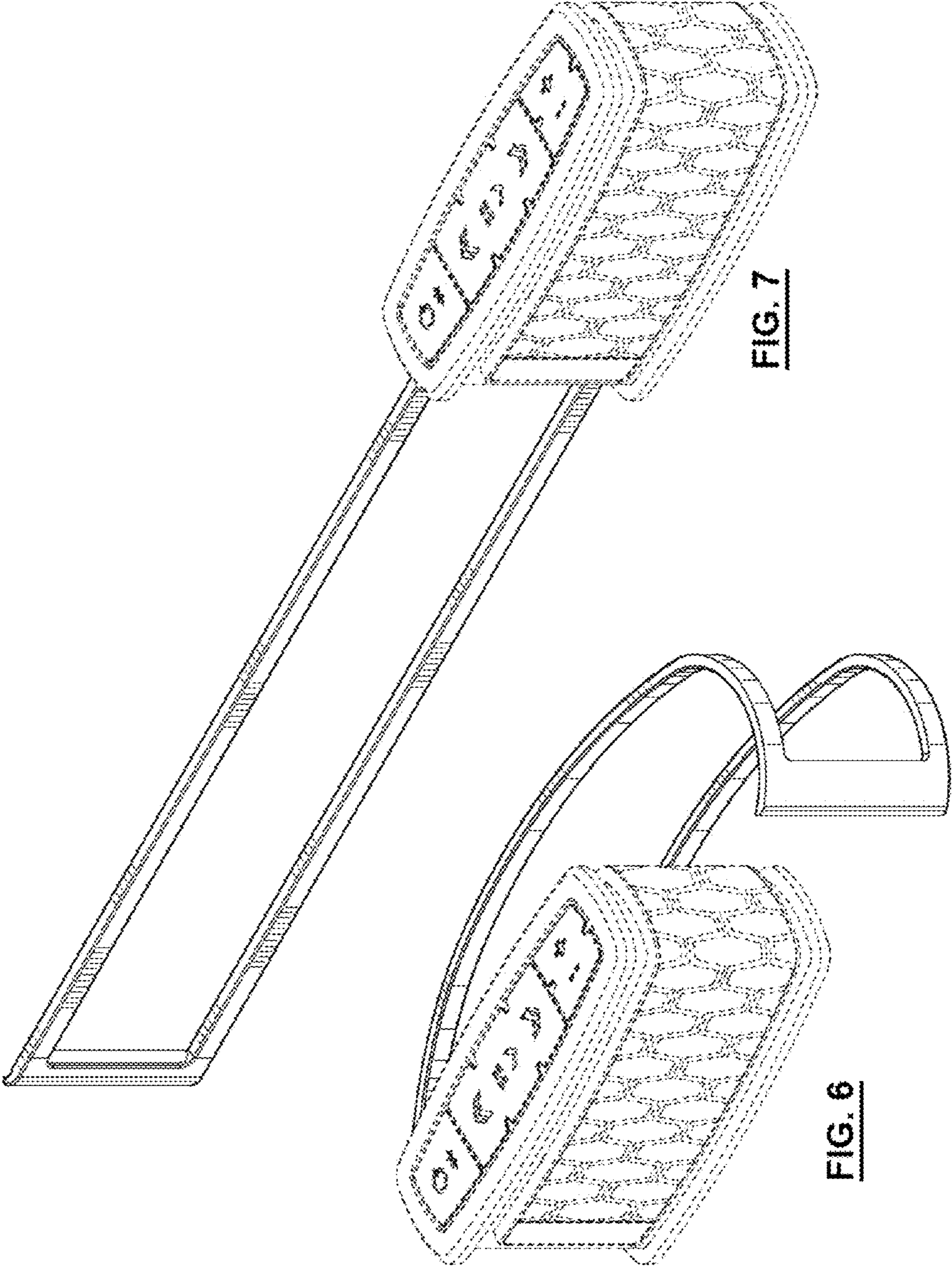


FIG. 7

FIG. 6