



US00D738847S

(12) **United States Design Patent**
Park et al.

(10) **Patent No.:** **US D738,847 S**

(45) **Date of Patent:** **** Sep. 15, 2015**

(54) **SOUND AMPLIFIER**

(71) Applicants: **Gwan Woo Park**, Seoul (KR); **Jae Hyung Byun**, Seoul (KR)

(72) Inventors: **Gwan Woo Park**, Seoul (KR); **Jae Hyung Byun**, Seoul (KR)

(**) Term: **14 Years**

(21) Appl. No.: **29/499,108**

(22) Filed: **Aug. 12, 2014**

(51) **LOC (10) Cl.** **14-03**

(52) **U.S. Cl.**
USPC **D14/188**; D14/208; D14/253

(58) **Field of Classification Search**
USPC D14/188–198, 204, 208, 209.1,
D14/215–216, 224–224.1, 243, 251–253;
181/177, 179; 381/120
CPC H04M 1/04
See application file for complete search history.

(56) **References Cited**

U.S. PATENT DOCUMENTS

D67,521 S *	6/1925	Herman	D14/188
D392,640 S *	3/1998	Tully et al.	D14/216
D519,491 S *	4/2006	Allen	D14/216
D530,319 S *	10/2006	Sarasjoki et al.	D14/253
D623,501 S *	9/2010	Blonder	D14/224
D651,193 S *	12/2011	Chang	D14/209.1

D656,479 S *	3/2012	Lin	D14/188
8,256,568 B2 *	9/2012	Lin	181/179
D677,650 S *	3/2013	Bosa	D14/208
D684,142 S *	6/2013	Sun et al.	D14/215
D691,116 S *	10/2013	Ponce	D14/215
D691,125 S *	10/2013	Cheon et al.	D14/253
D700,903 S *	3/2014	Hoffman et al.	D14/208
D714,282 S *	9/2014	Cheon	D14/252

* cited by examiner

Primary Examiner — Sandra Morris

(74) *Attorney, Agent, or Firm* — Rabin and Berdo, P.C.

(57) **CLAIM**

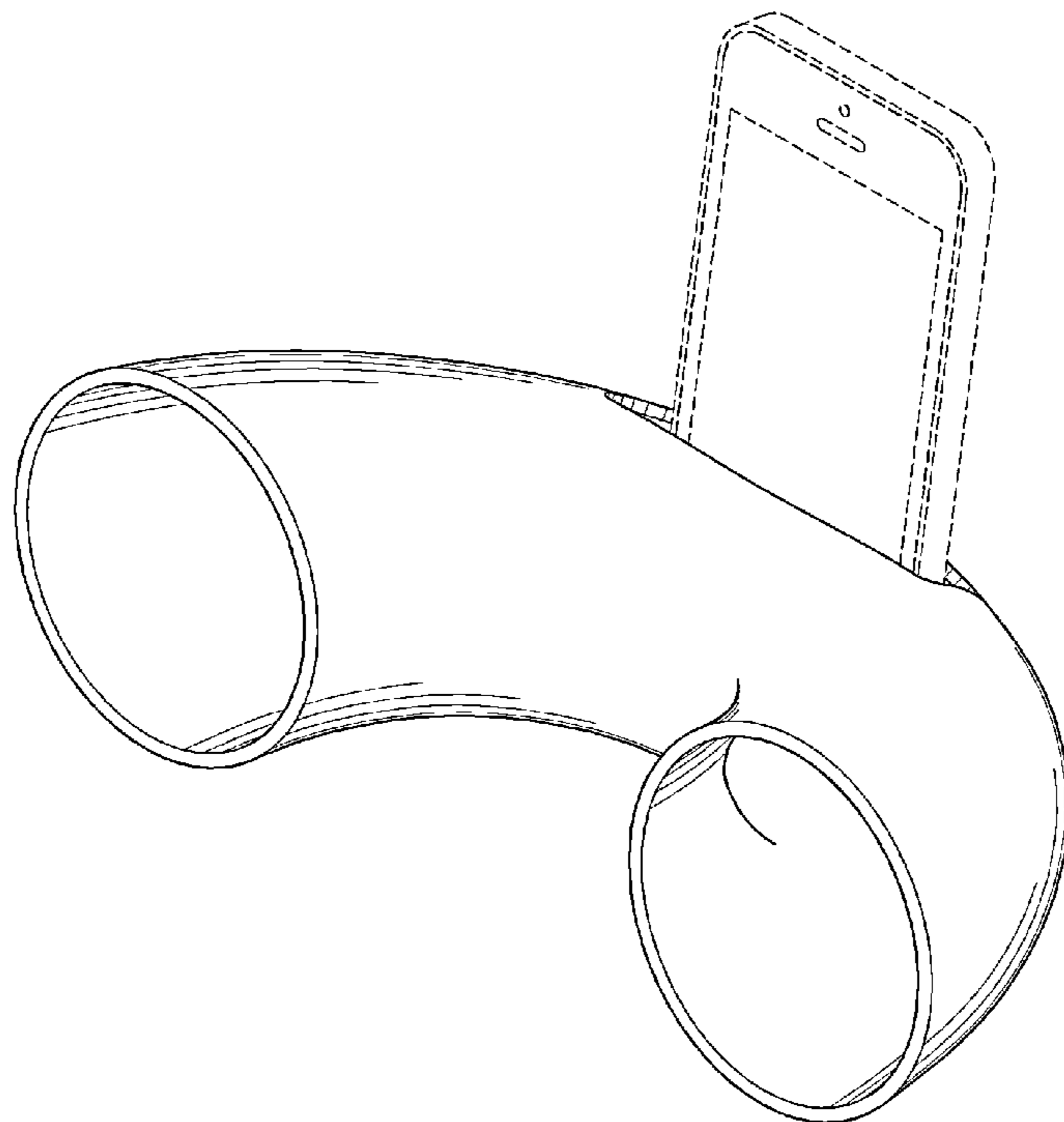
The ornamental design of a sound amplifier, as shown and described.

DESCRIPTION

FIG. 1 is a perspective view of a sound amplifier showing my new design;
FIG. 2 is a front view thereof;
FIG. 3 is a rear view thereof;
FIG. 4 is a left side view thereof;
FIG. 5 is a right side view thereof;
FIG. 6 is a top plan view thereof;
FIG. 7 is a bottom plan view thereof;
FIG. 8 is a verticality section view of the sound amplifier of FIG. 2; and,
FIG. 9 is a view of using state of the sound amplifier of FIG. 1.

Broken lines are included herein for illustrative purposes only and form no part of the claimed design.

1 Claim, 5 Drawing Sheets



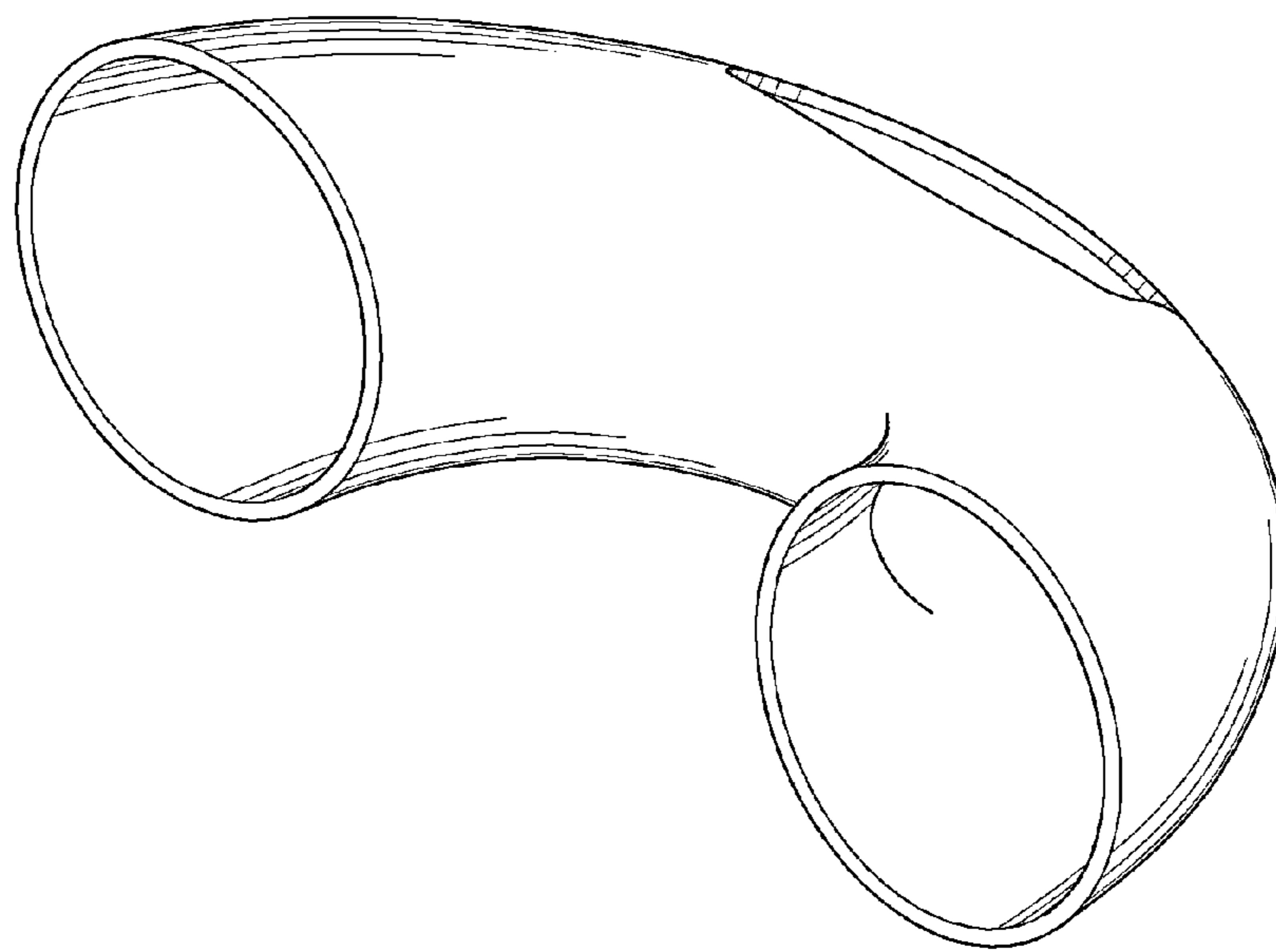


FIG. 1

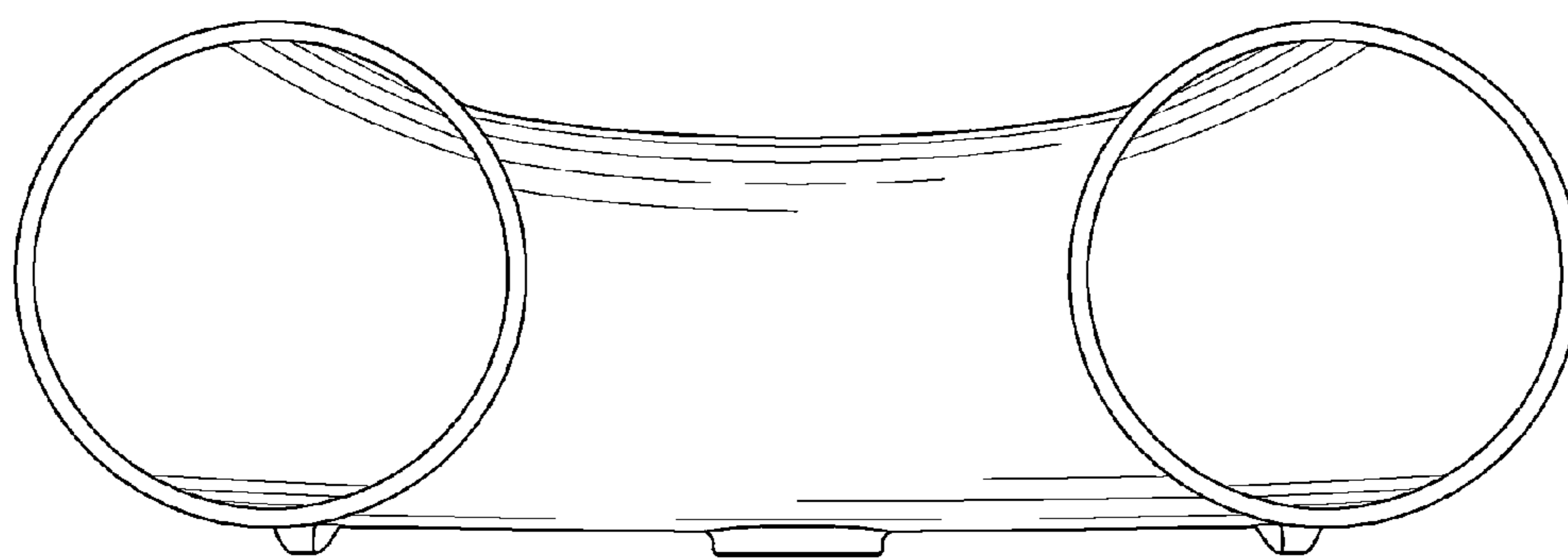


FIG. 2

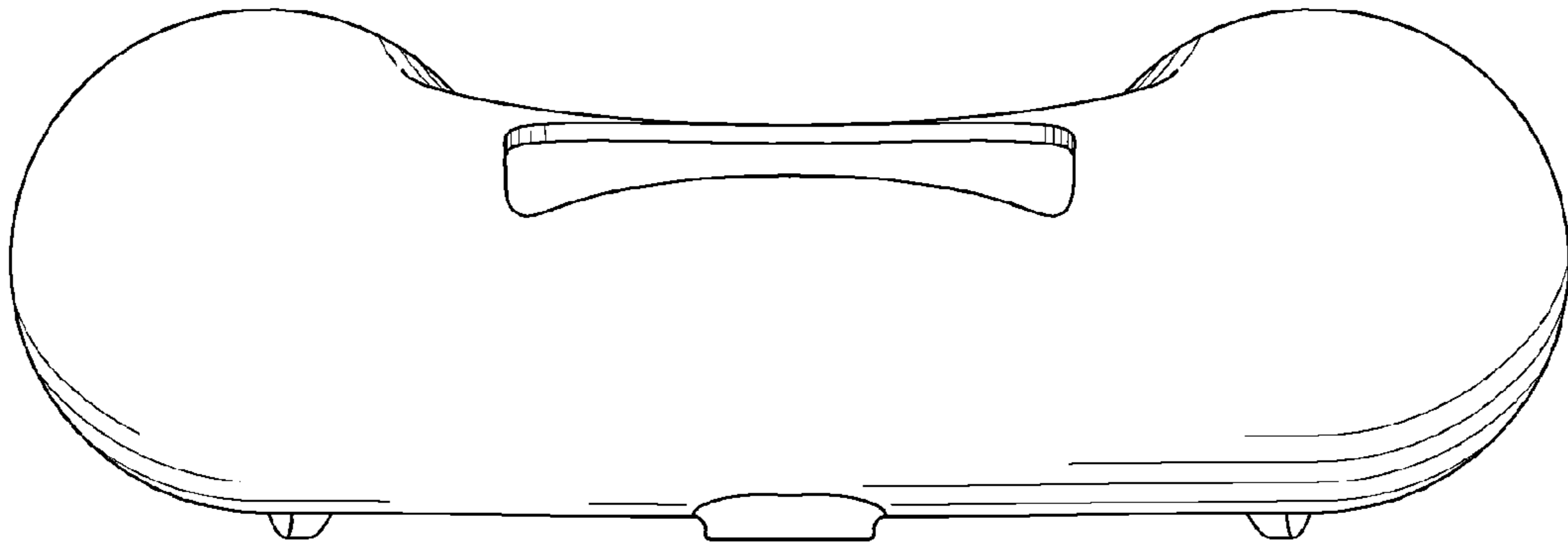


FIG. 3

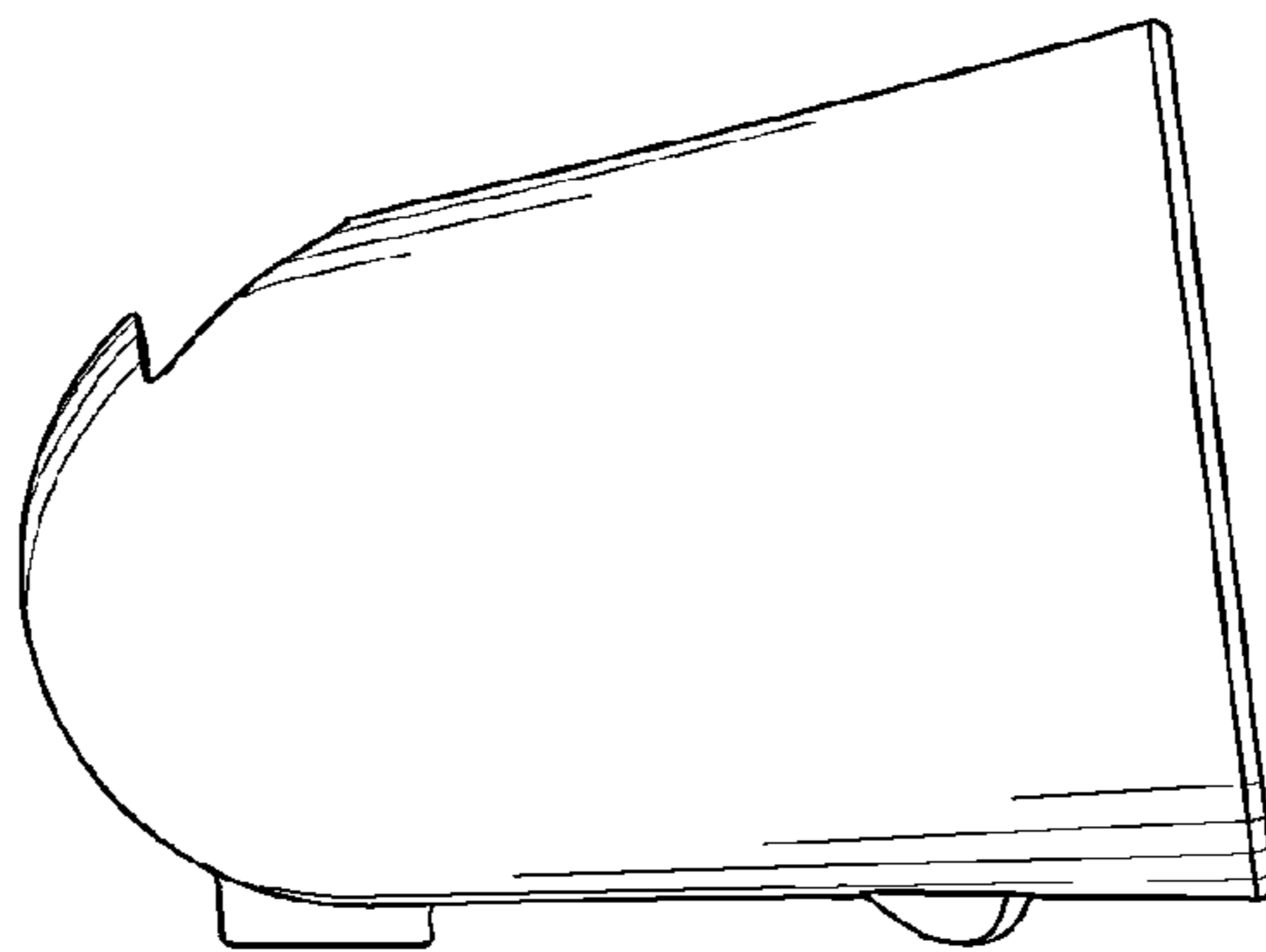


FIG. 4

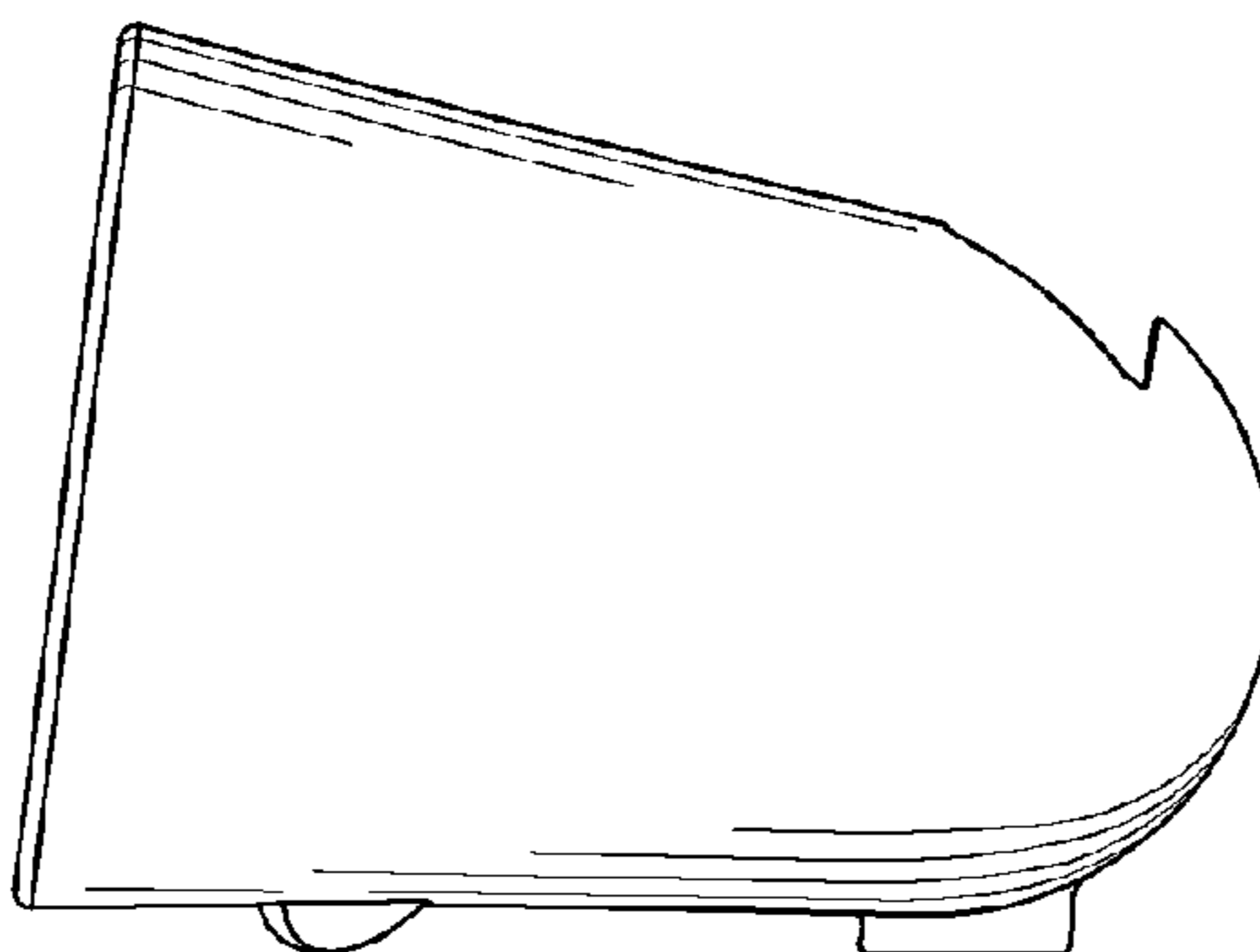


FIG. 5

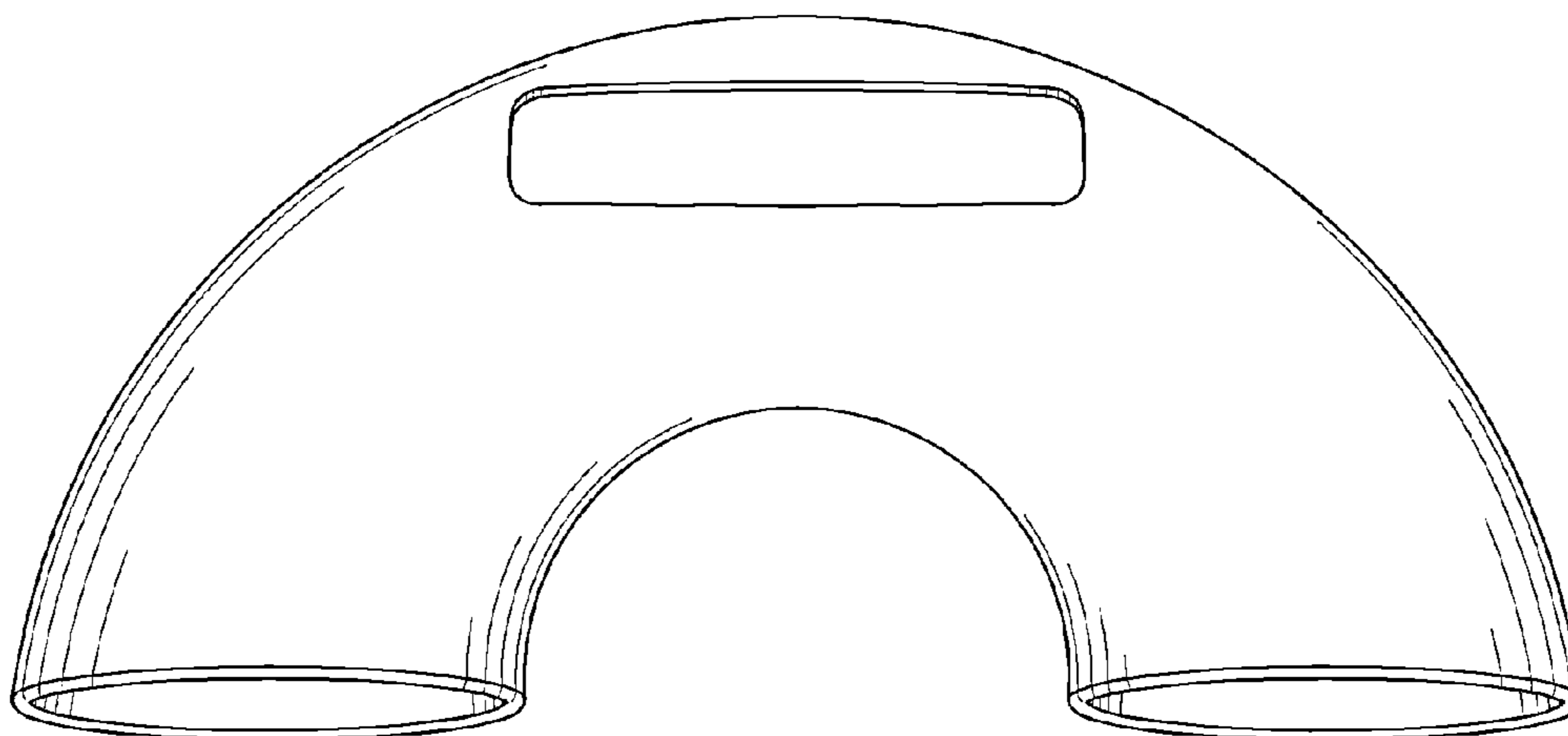


FIG. 6

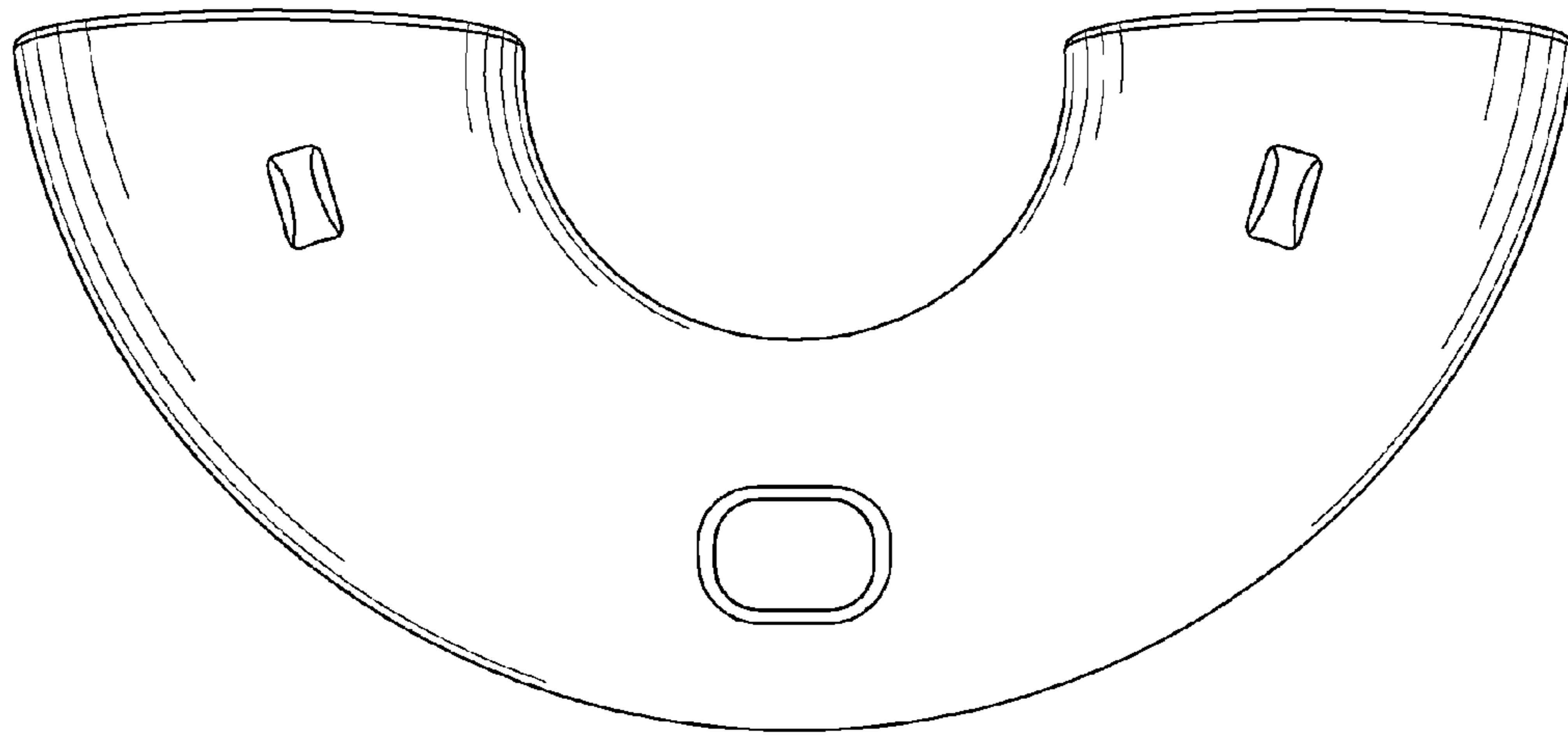


FIG. 7

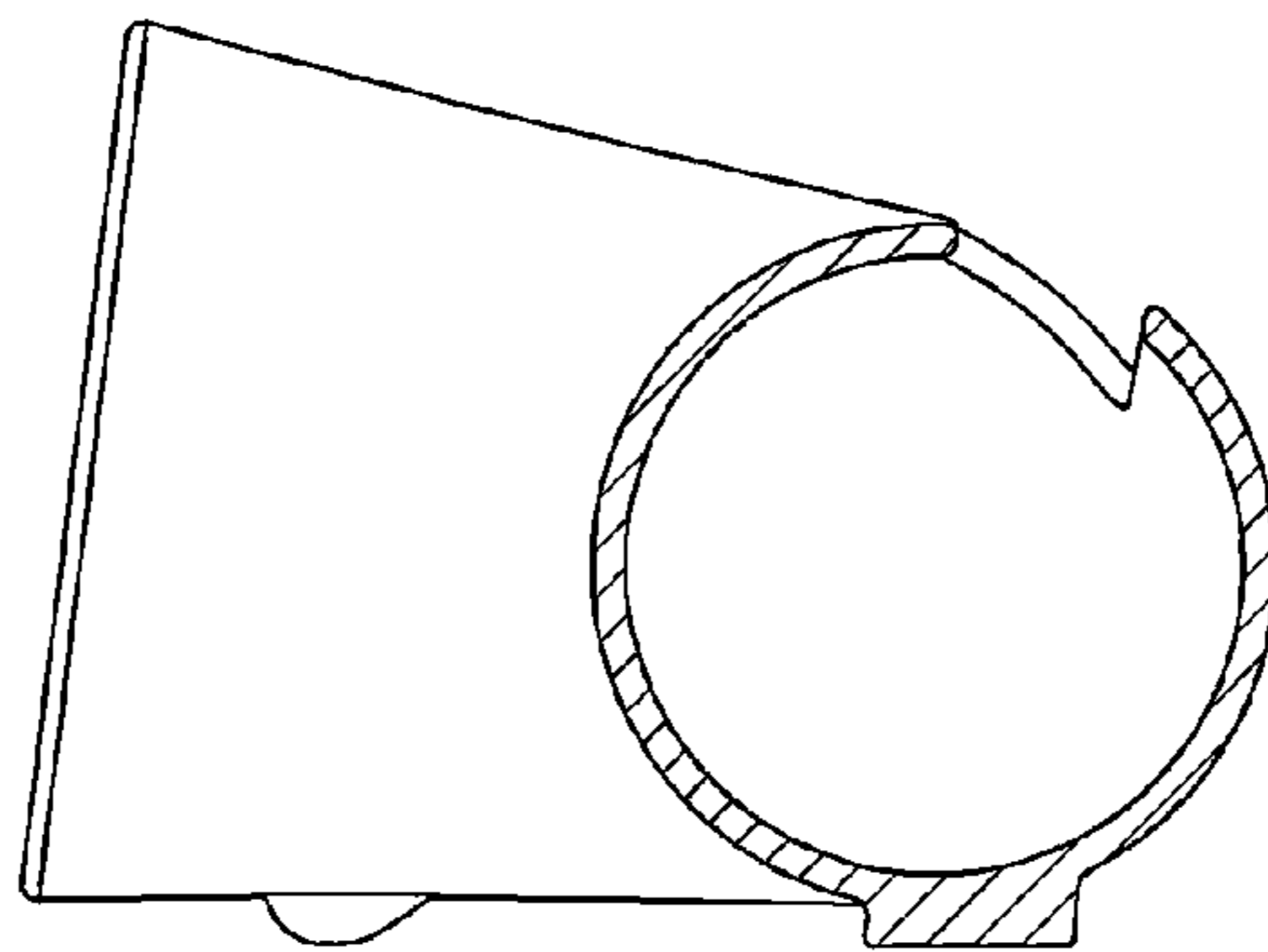


FIG. 8

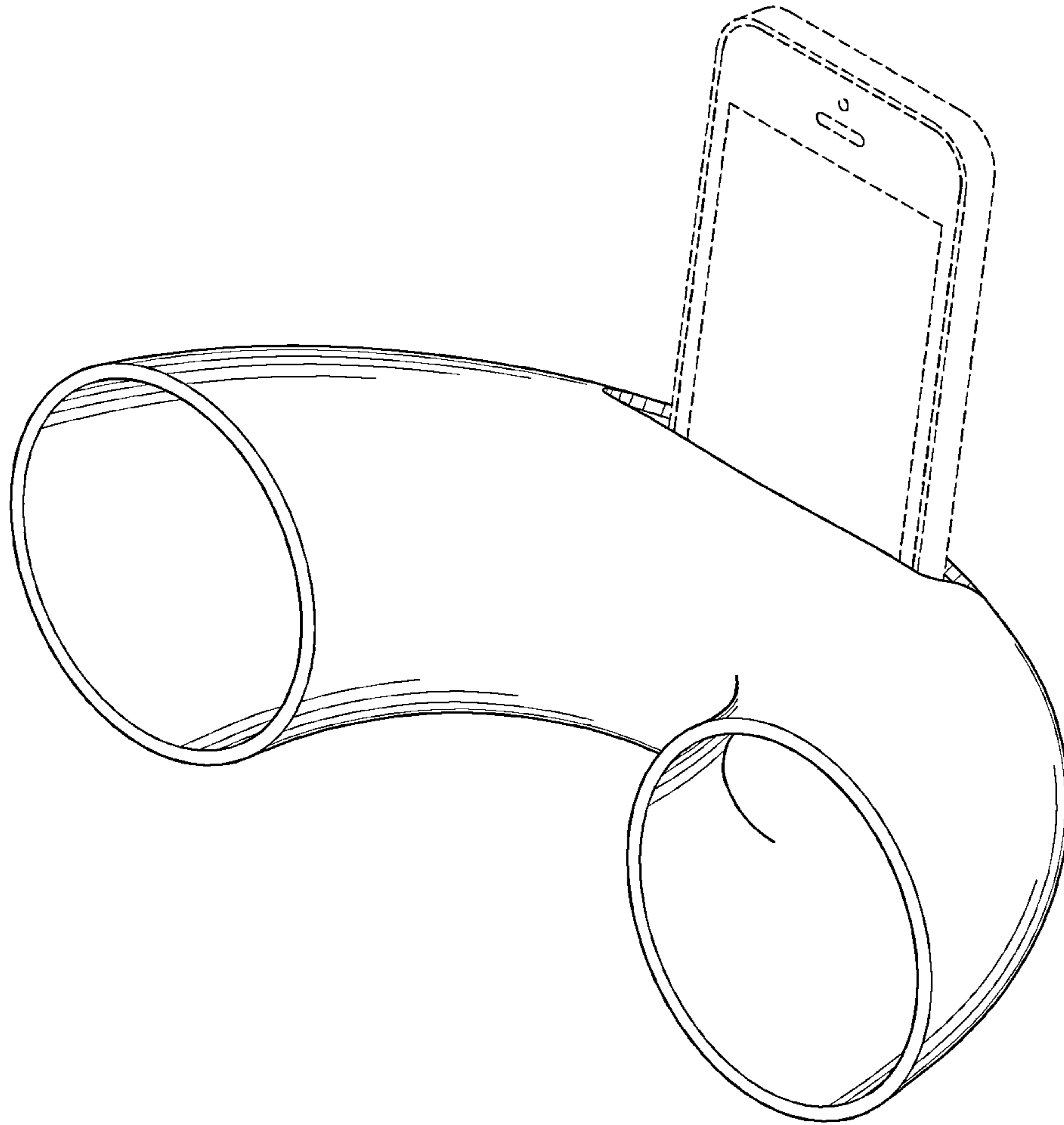


FIG. 9