



US00D738846S

(12) **United States Design Patent**
Ju et al.

(10) **Patent No.:** **US D738,846 S**
(45) **Date of Patent:** **** Sep. 15, 2015**

(54) **TELEPHONE**

(71) Applicant: **Samsung Electronics Co., Ltd.**,
Suwon-si (KR)

(72) Inventors: **Tai-Hyung Ju**, Seoul (KR); **Seo-Eun Park**, Incheon (KR); **Si-Hyoung Lee**, Anyang-si (KR); **Bum-Ho Chun**, Seoul (KR)

(73) Assignee: **Samsung Electronics Co., Ltd.**,
Suwon-si (KR)

(**) Term: **14 Years**

(21) Appl. No.: **29/490,505**

(22) Filed: **May 9, 2014**

(30) **Foreign Application Priority Data**

Dec. 12, 2013 (KR) 30-2013-0062889
Dec. 12, 2013 (KR) 30-2013-0062891
Dec. 12, 2013 (KR) 30-2013-0062892

(51) **LOC (10) Cl.** **14-03**

(52) **U.S. Cl.**
USPC **D14/151**

(58) **Field of Classification Search**
USPC D13/107, 108; D14/140, 142, 144, 149,
D14/151, 159, 204, 209.1, 214, 217, 224,
D14/224.1, 227, 229, 251, 252, 253, 299,
D14/434, 447, 483; 320/114, 115;
361/679.41; 379/419, 434-436, 440,
379/454, 455

See application file for complete search history.

(56) **References Cited**

U.S. PATENT DOCUMENTS

D283,319 S * 4/1986 Marshall D14/150
D290,605 S * 6/1987 Offredi D14/151
D303,386 S * 9/1989 Iino D14/142
D323,827 S * 2/1992 Kido et al. D14/151

D353,581 S * 12/1994 Nakajima D14/140
D375,093 S * 10/1996 Babbitt et al. D14/151
D423,497 S * 4/2000 Nogas D14/151
D431,540 S * 10/2000 Morisue et al. D14/151

(Continued)

FOREIGN PATENT DOCUMENTS

WO D012796-001 * 4/1989

Primary Examiner — Susan Bennett Hattan

Assistant Examiner — Leanne Was

(74) *Attorney, Agent, or Firm* — NSIP Law

(57) **CLAIM**

We claim the ornamental design for a telephone, as shown and described.

DESCRIPTION

FIG. 1 is a front perspective view of a telephone showing our new design;

FIG. 2 is a front view thereof;

FIG. 3 is a rear view thereof;

FIG. 4 is a left-side view thereof;

FIG. 5 is a right-side view thereof;

FIG. 6 is a top view thereof;

FIG. 7 is a bottom view thereof;

FIG. 8 is another right-side view thereof, in which the telephone is provided in an alternate position to illustrate an example environment;

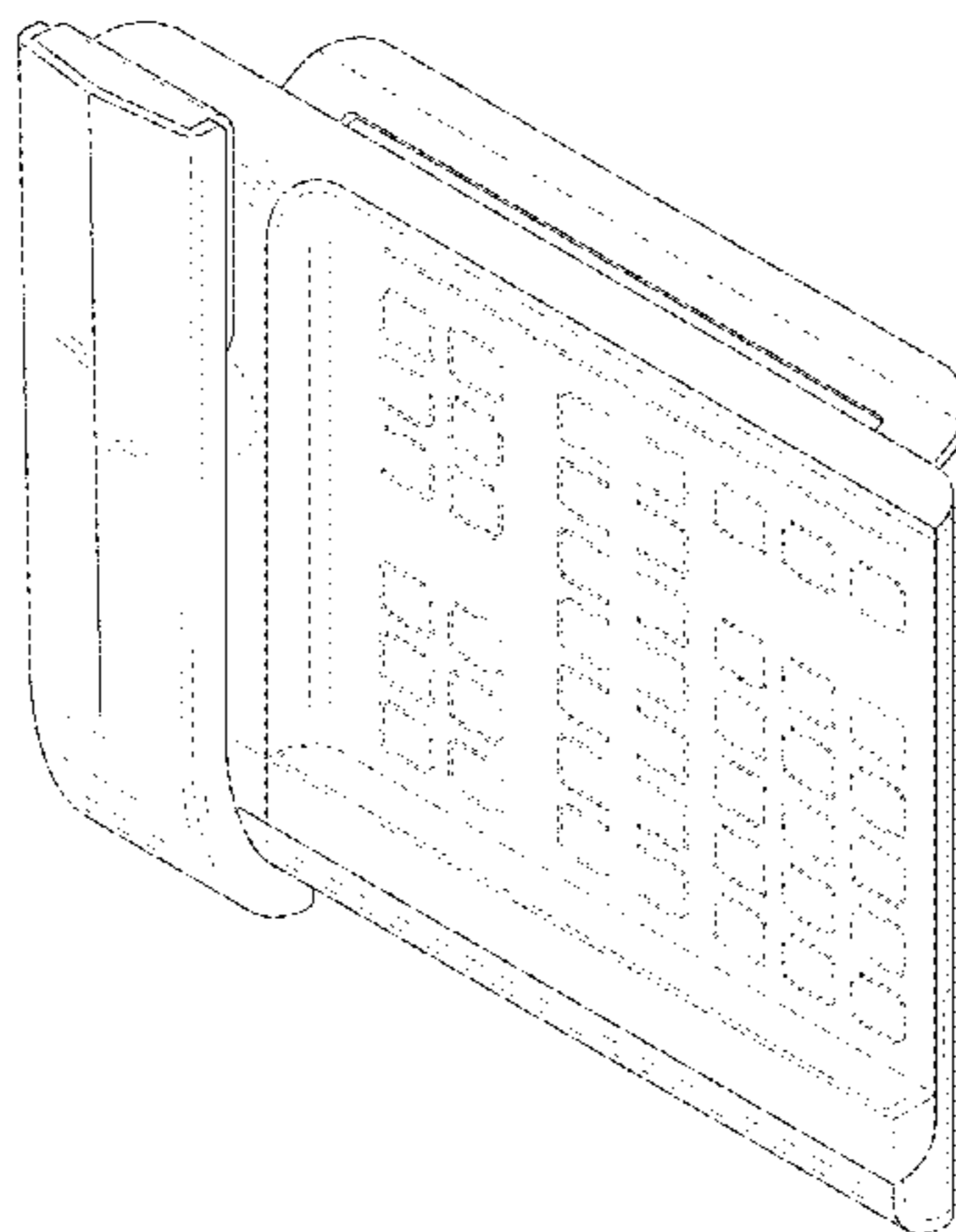
FIG. 9 is another right-side view thereof, in which the telephone is provided in an alternate position to illustrate another example environment; and,

FIG. 10 is another front view of the telephone in which a portable terminal in broken lines is provided to illustrate an example environment.

The broken lines in the figures show portions of the telephone which form no part of the claimed design.

The broken line showing of the portable terminal in FIG. 10 is for environmental purposes only and forms no part of the claimed design.

1 Claim, 7 Drawing Sheets



(56)

References Cited

U.S. PATENT DOCUMENTS

D471,527 S * 3/2003 Yamanouchi et al. D14/151
D483,749 S * 12/2003 Weidinger D14/140.9
D582,886 S * 12/2008 Woo et al. D14/151

D638,817 S * 5/2011 Fleming et al. D14/145
D638,818 S * 5/2011 Fleming et al. D14/145
D717,762 S * 11/2014 Jeon et al. D14/151
D723,503 S * 3/2015 Jeon et al. D14/151
2011/0300900 A1* 12/2011 Fleming et al. 455/555

* cited by examiner

FIG. 1

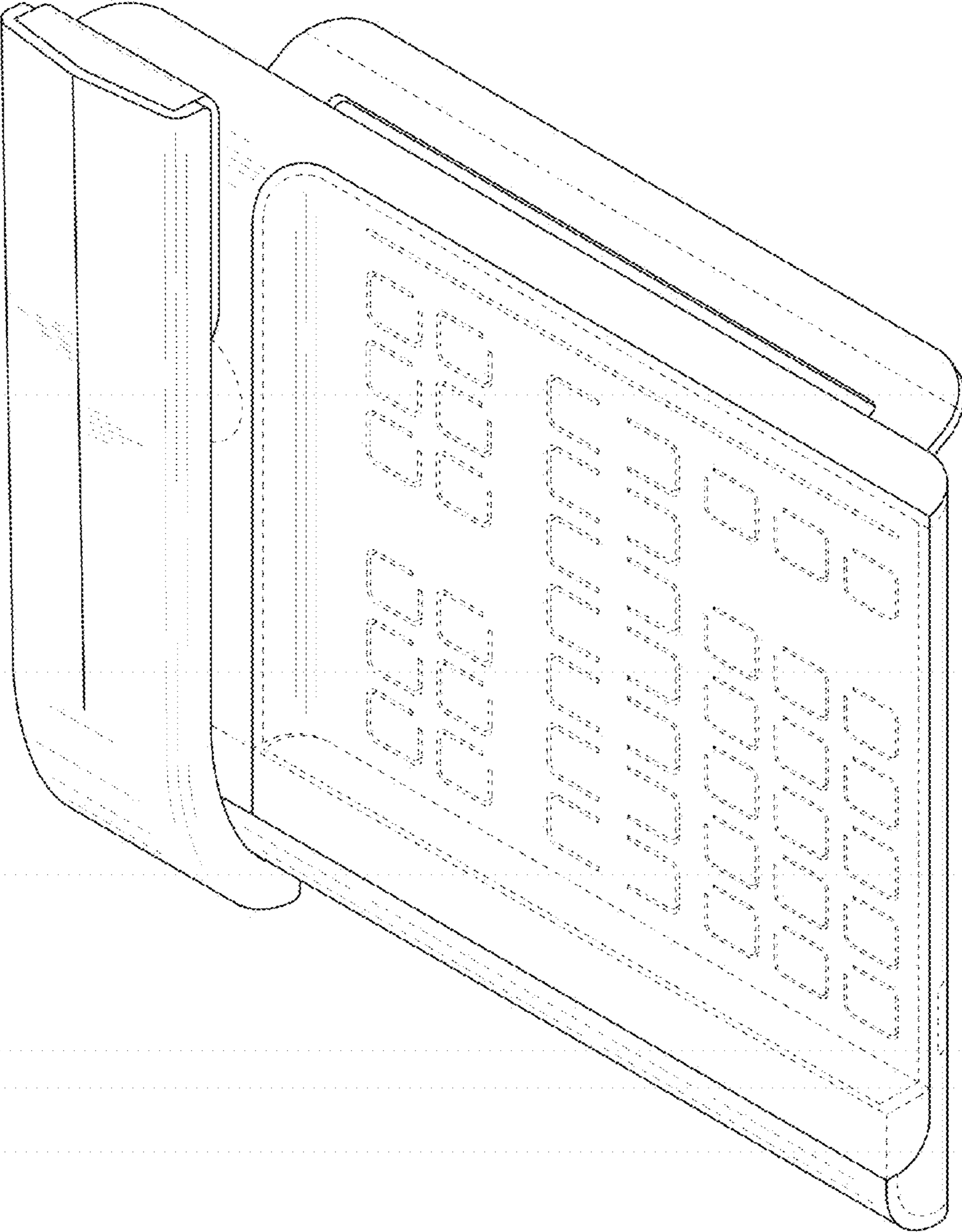


FIG.2

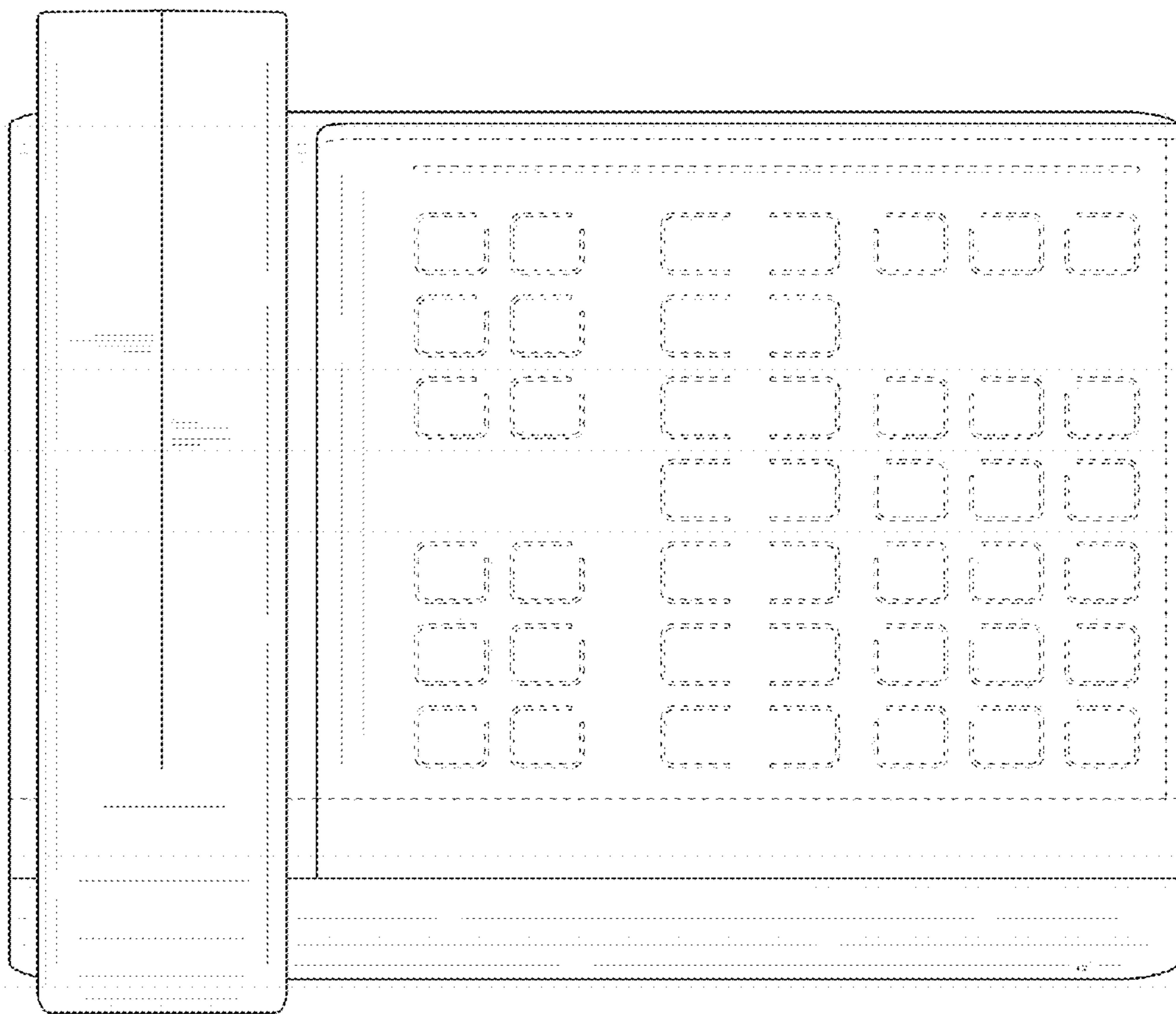


FIG.3

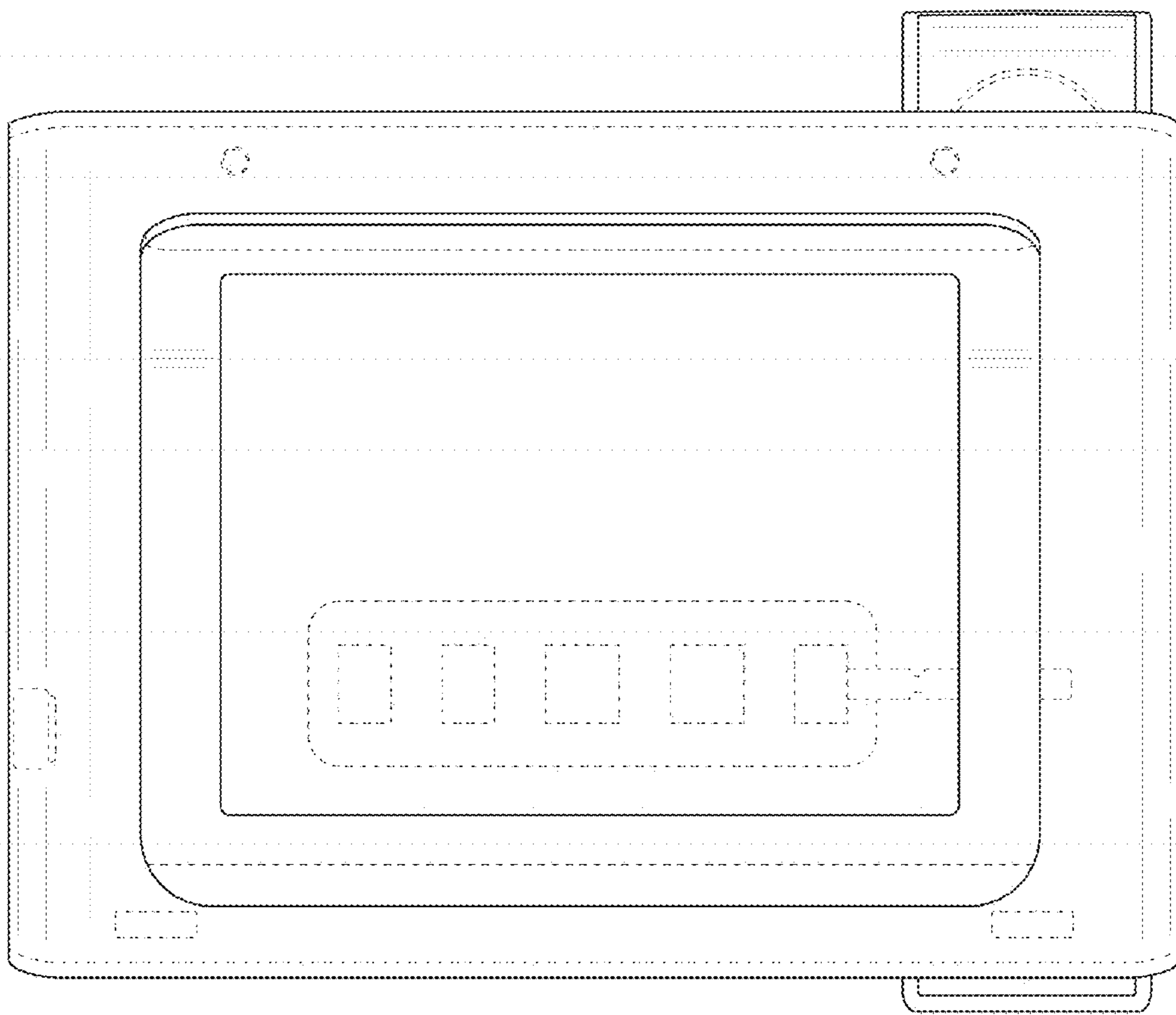


FIG.4

FIG.5

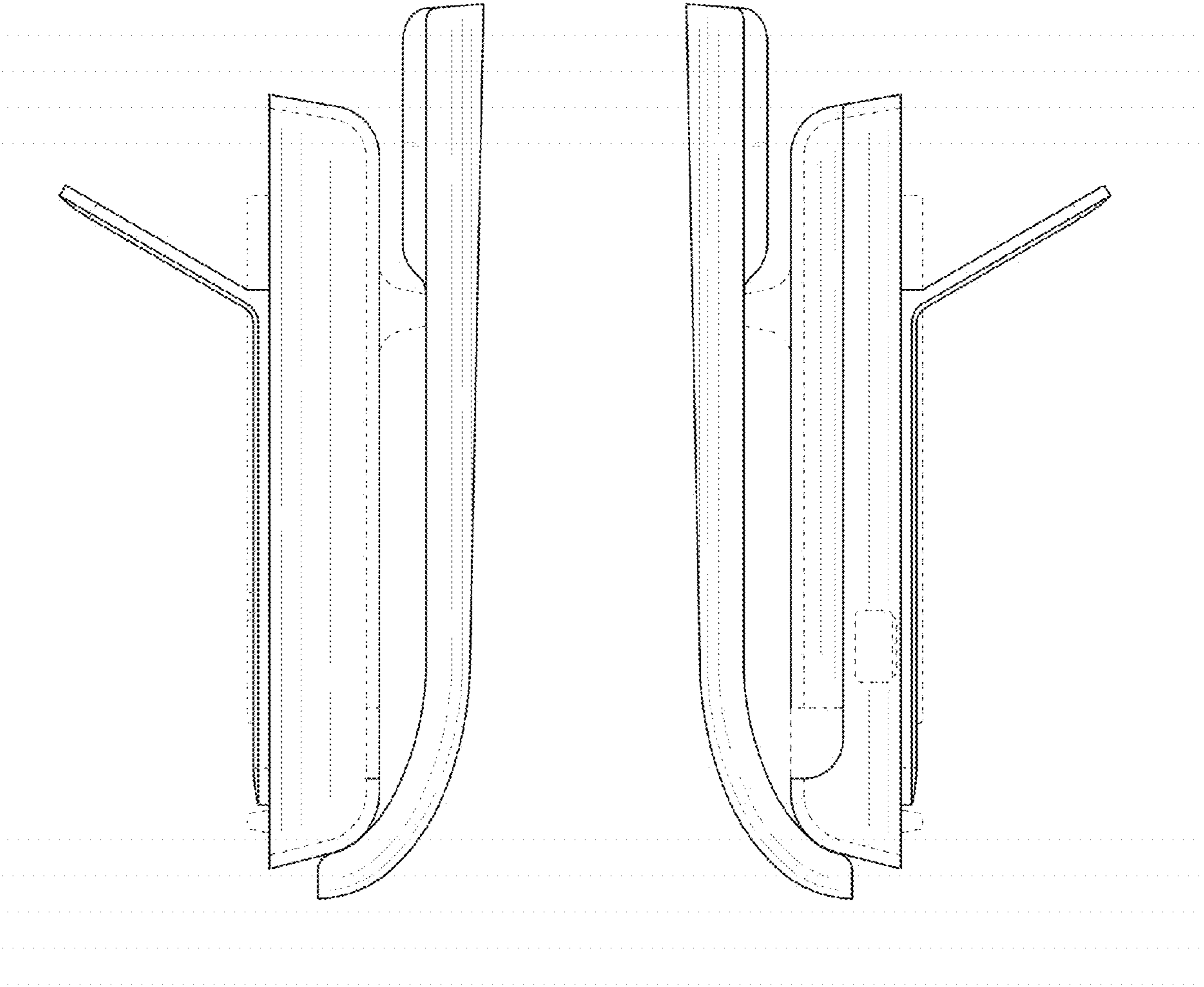


FIG.6

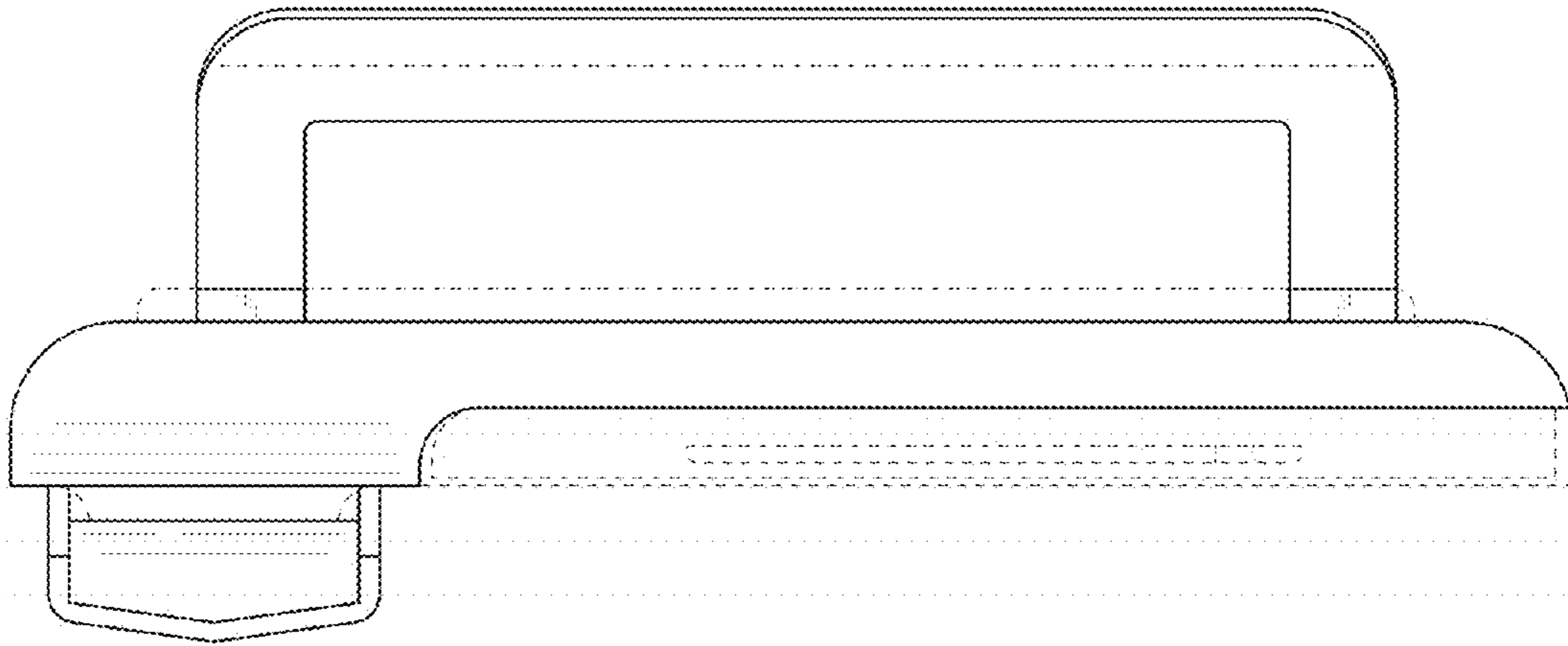


FIG.7

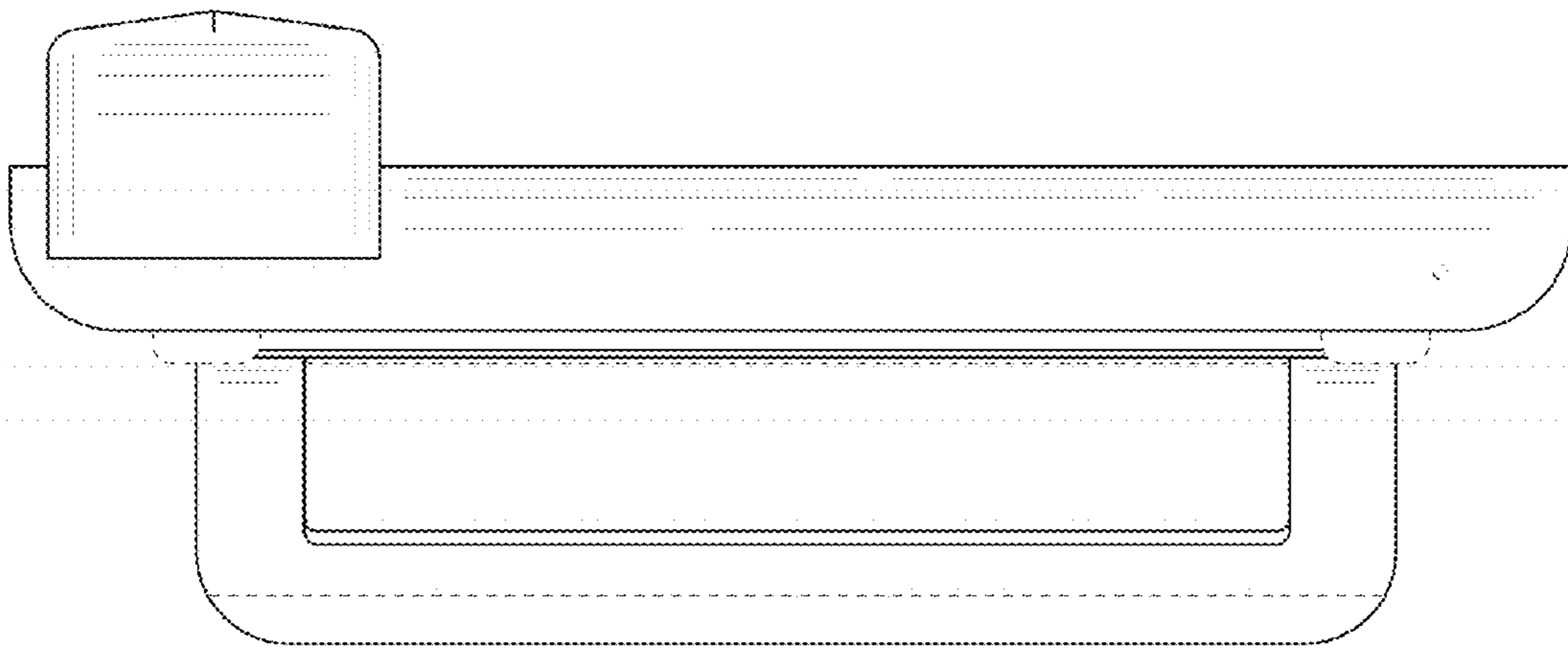


FIG.8

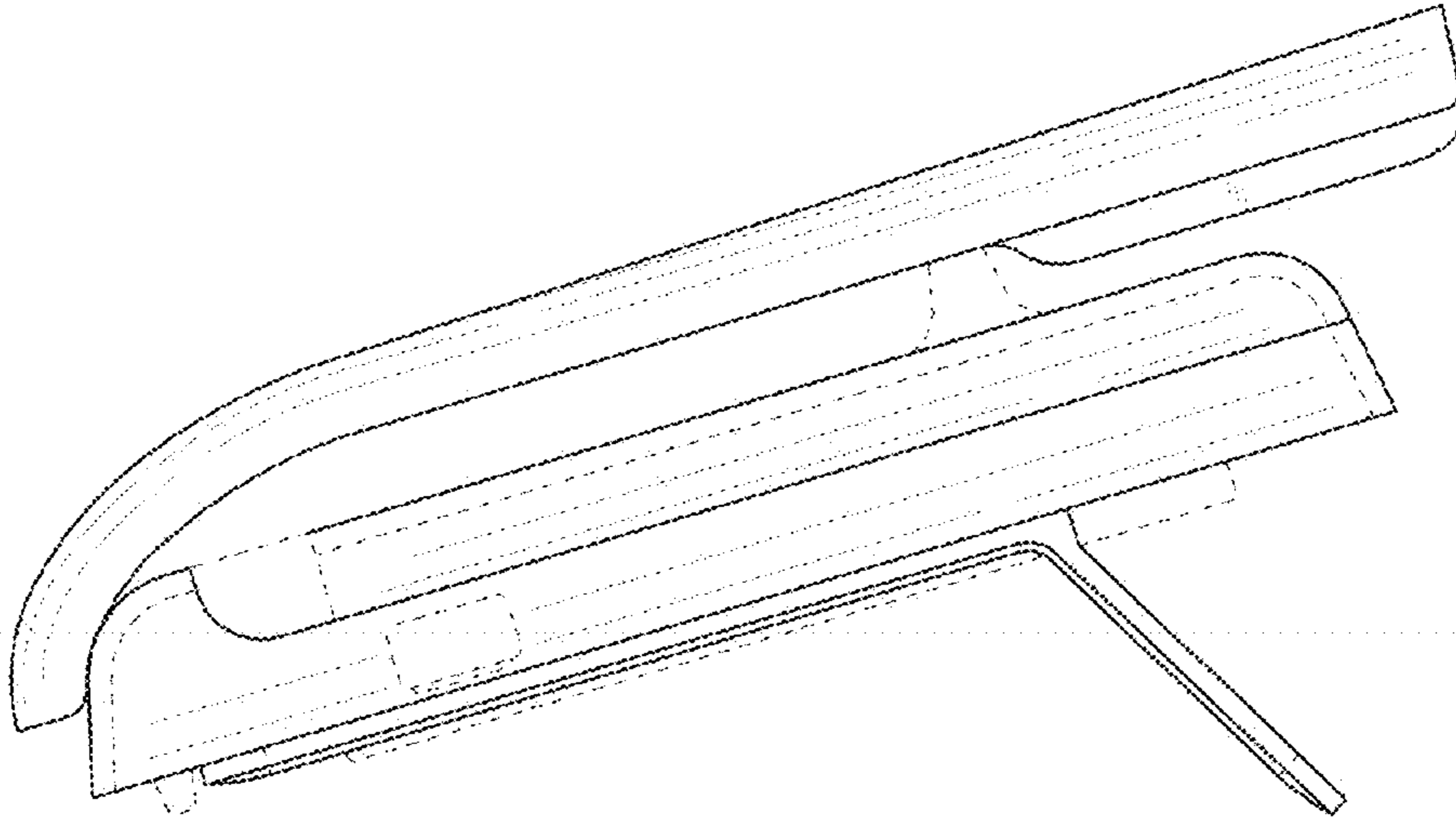


FIG.9

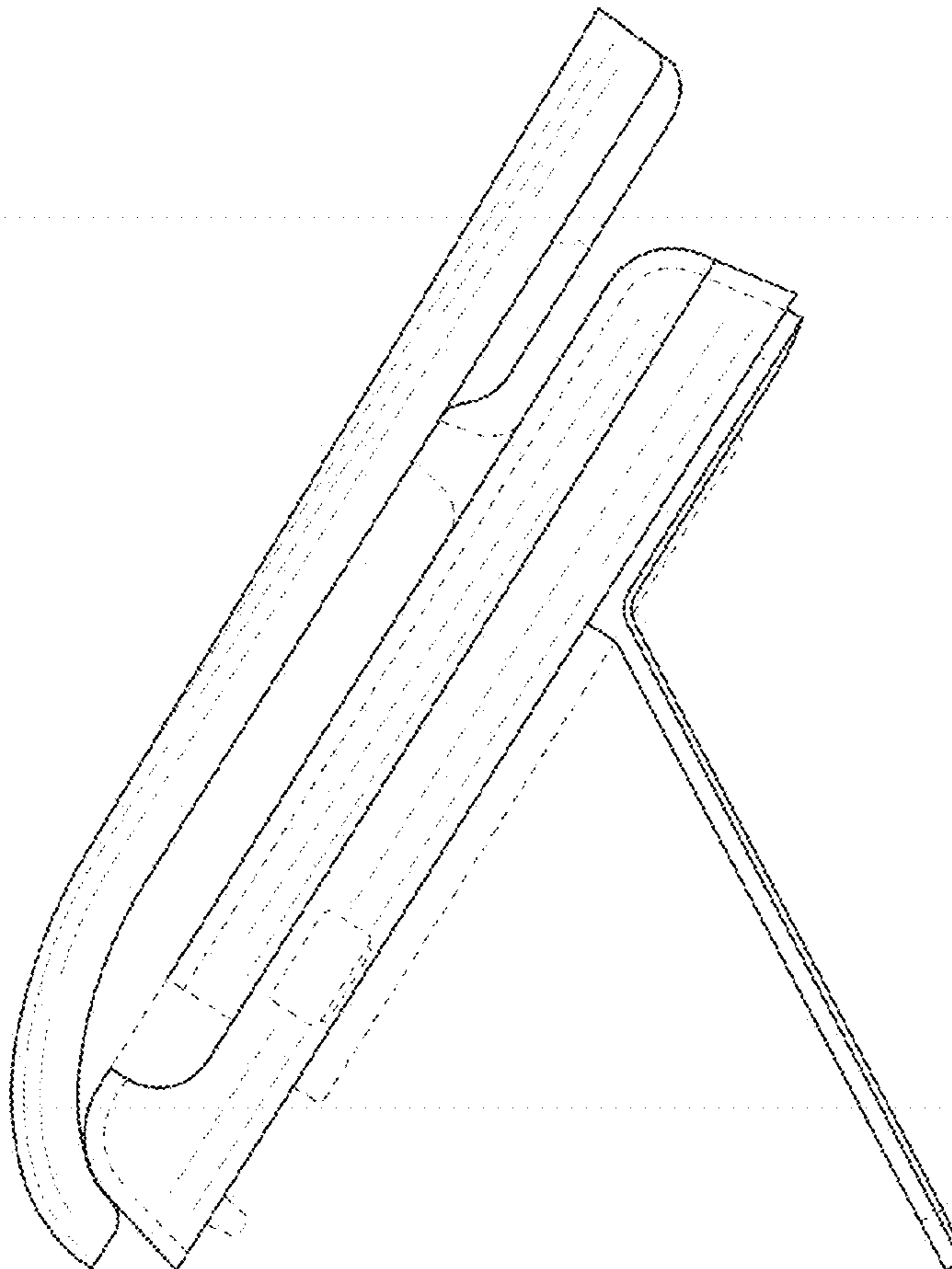


FIG. 10

