



US00D738845S

(12) **United States Design Patent**
Kwak et al.

(10) **Patent No.:** **US D738,845 S**
(45) **Date of Patent:** **** Sep. 15, 2015**

(54) **TELEPHONE**

(71) Applicant: **Samsung Electronics Co., Ltd.**,
Suwon-si (KR)

(72) Inventors: **Ji-Hee Kwak**, Seoul (KR); **Ji-Hyun Moon**, Gwangmyeong-si (KR); **So-Yoon Jeon**, Guri-si (KR)

(73) Assignee: **Samsung Electronics Co., Ltd.**,
Suwon-si (KR)

(**) Term: **14 Years**

(21) Appl. No.: **29/490,491**

(22) Filed: **May 9, 2014**

(30) **Foreign Application Priority Data**

Dec. 9, 2013 (KR) 30-2013-0062125

(51) **LOC (10) Cl.** **14-03**

(52) **U.S. Cl.**
USPC **D14/151**

(58) **Field of Classification Search**
USPC D14/151, 130, 140.7, 140.8, 142, 144,
D14/149, 150, 155, 158, 159, 188, 217, 226,
D14/229, 240, 251-253, 399, 329, 466-468,
D14/140; D21/517; D13/107, 108, 168;
D10/65; 379/88.17, 90.01, 93.17,
379/387.01, 388.02, 419-420.04, 420.02,
379/428.01-428.04, 434-436, 440,
379/446-447, 454-455, 93.23; D24/165
CPC H04M 1/00; H04M 1/003; H04M 1/02;
H04M 1/03; H04M 1/04

See application file for complete search history.

(56) **References Cited**

U.S. PATENT DOCUMENTS

D260,991 S * 9/1981 Bandini-Buti et al. D14/142
4,291,475 A * 9/1981 Schoemer 40/338
D294,249 S * 2/1988 Hyvonen D14/151
D295,408 S * 4/1988 Boykiw D14/149

D299,456 S * 1/1989 Kuo D14/151
D300,319 S * 3/1989 Stockholm et al. D14/151
D307,428 S * 4/1990 Pfeifer et al. D14/151
D307,429 S * 4/1990 Pfeifer et al. D14/151
5,127,050 A * 6/1992 Takahashi et al. 379/428.04
D328,076 S * 7/1992 Hagiwara D14/151

(Continued)

Primary Examiner — Susan Bennett Hattan

Assistant Examiner — Marie Fast Horse

(74) *Attorney, Agent, or Firm* — NSIP Law

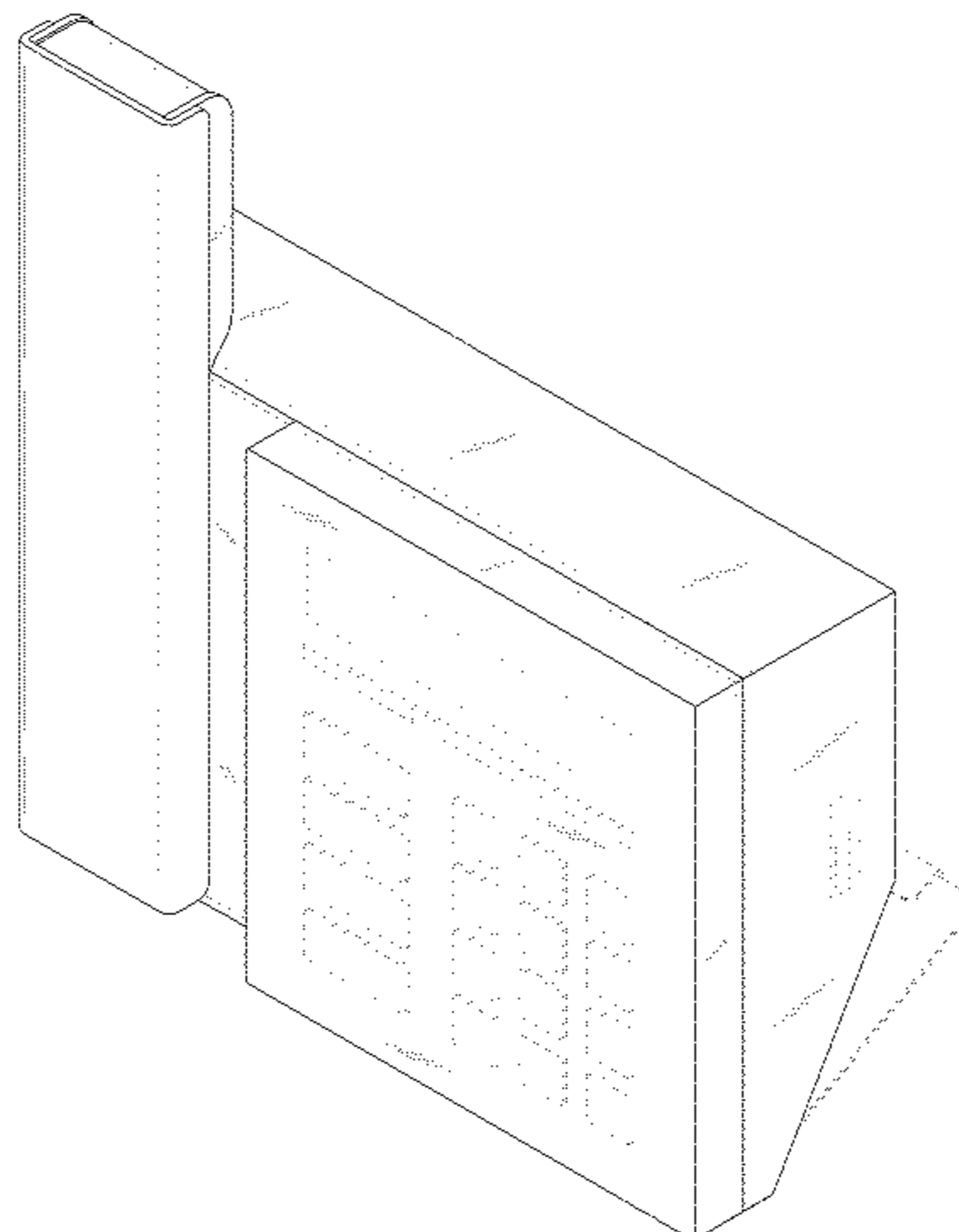
(57) **CLAIM**

We claim the ornamental design for a telephone, as shown and described.

DESCRIPTION

FIG. 1 is a front perspective view of a telephone showing our new design;
FIG. 2 is a front view thereof;
FIG. 3 is a rear view thereof;
FIG. 4 is a left-side view thereof;
FIG. 5 is a right-side view thereof;
FIG. 6 is a top view thereof;
FIG. 7 is a bottom view thereof;
FIG. 8 is another front view thereof, in which a module in broken line is provided to illustrate environmental subject matter;
FIG. 9 is another front view of FIG. 8, in which a portable terminal in broken line is provided within the broken line module to illustrate environmental subject matter;
FIG. 10 is another right-side view thereof, in which the telephone is provided in an alternate position;
FIG. 11 is another right-side view thereof, in which the telephone is provided in an alternate position; and,
FIG. 12 is another right-side view thereof, in which the telephone is provided in an alternate position.
The broken lines in the figures show portions of the telephone which form no part of the claimed design.
The broken line showing of the module and portable terminal in FIGS. 8 and 9 is for environmental purposes only and forms no part of the claimed design.

1 Claim, 10 Drawing Sheets



(56)

References Cited

U.S. PATENT DOCUMENTS

D328,741 S *	8/1992	Fujiwara et al.	D14/467	D464,035 S *	10/2002	Nam	D14/151
D339,342 S *	9/1993	Chan	D14/149	D466,097 S *	11/2002	Geert	D14/151
D345,975 S *	4/1994	Biskup et al.	D14/149	D555,630 S *	11/2007	Udagawa et al.	D14/151
D348,062 S *	6/1994	Iseli et al.	D14/149	D556,180 S *	11/2007	Udagawa et al.	D14/151
D349,700 S *	8/1994	Iseli et al.	D14/142	D560,224 S *	1/2008	Park et al.	D14/485
D354,487 S *	1/1995	Nogas	D14/151	D560,225 S *	1/2008	Park et al.	D14/485
D359,283 S *	6/1995	Rudkiewicz	D14/149	D563,966 S *	3/2008	Park et al.	D14/485
D359,491 S *	6/1995	Iseli	D14/151	D568,305 S *	5/2008	Udagawa et al.	D14/247
D361,765 S *	8/1995	Bryant	D14/151	D576,146 S *	9/2008	Brown et al.	D14/151
D365,560 S *	12/1995	Buchin	D14/151	D608,335 S *	1/2010	Quiros et al.	D14/149
D369,163 S *	4/1996	Leung et al.	D14/150	D608,336 S *	1/2010	Quiros et al.	D14/149
D375,092 S *	10/1996	Hilsenrath et al.	D14/142	D652,816 S *	1/2012	Compoginis et al.	D14/151
D380,753 S *	7/1997	Constantine et al.	D14/144	D675,592 S *	2/2013	Fuxen	D14/151
D421,751 S *	3/2000	Chan	D14/151	D694,734 S *	12/2013	Guo et al.	D14/148
D452,511 S *	12/2001	Benedetto et al.	D14/467	D717,762 S *	11/2014	Jeon et al.	D14/151
				D723,502 S *	3/2015	Chun et al.	D14/151
				D723,503 S *	3/2015	Jeon et al.	D14/151
				2012/0170736 A1 *	7/2012	Hsieh et al.	379/428.01

* cited by examiner

FIG.1

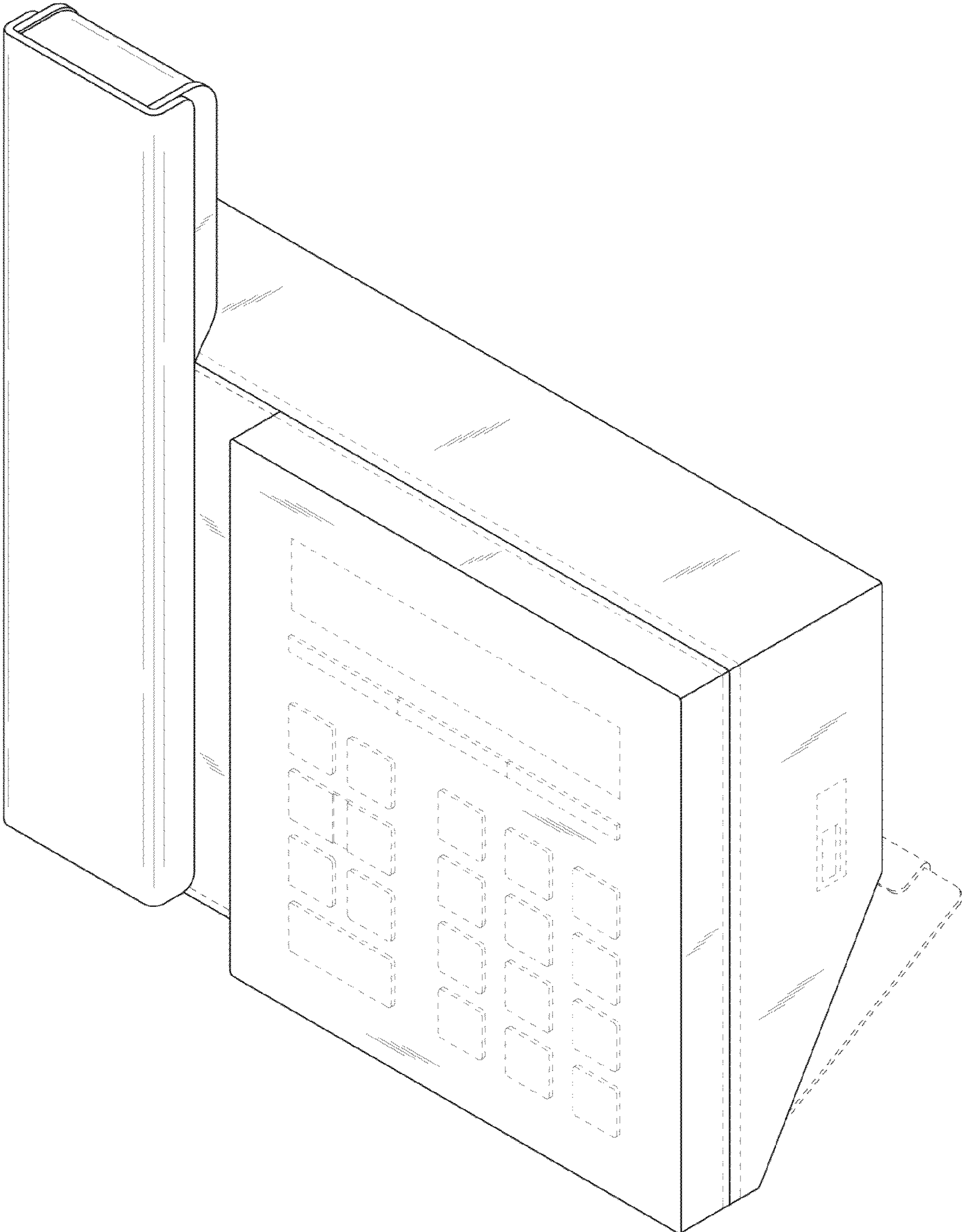


FIG.2

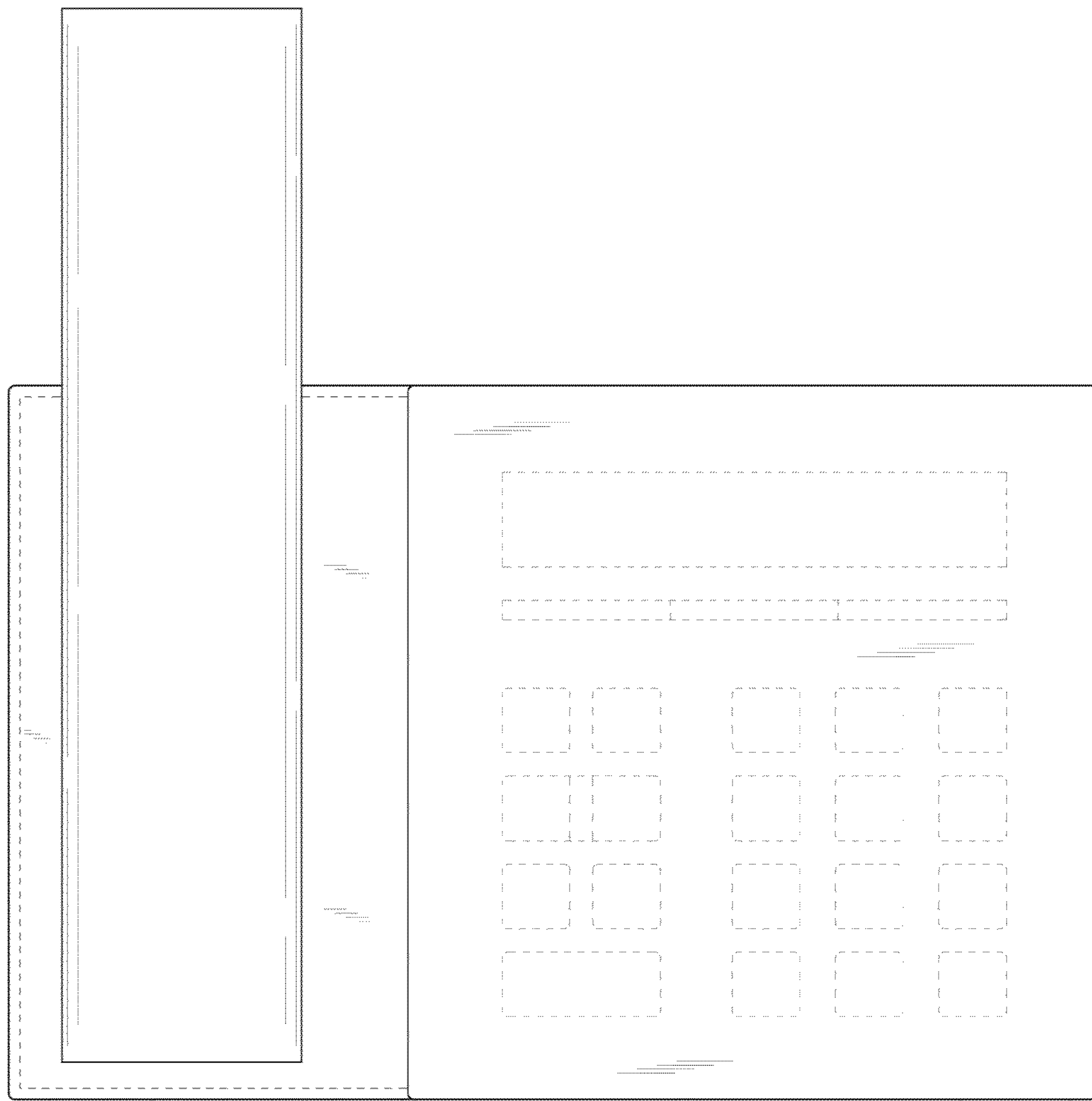


FIG.3

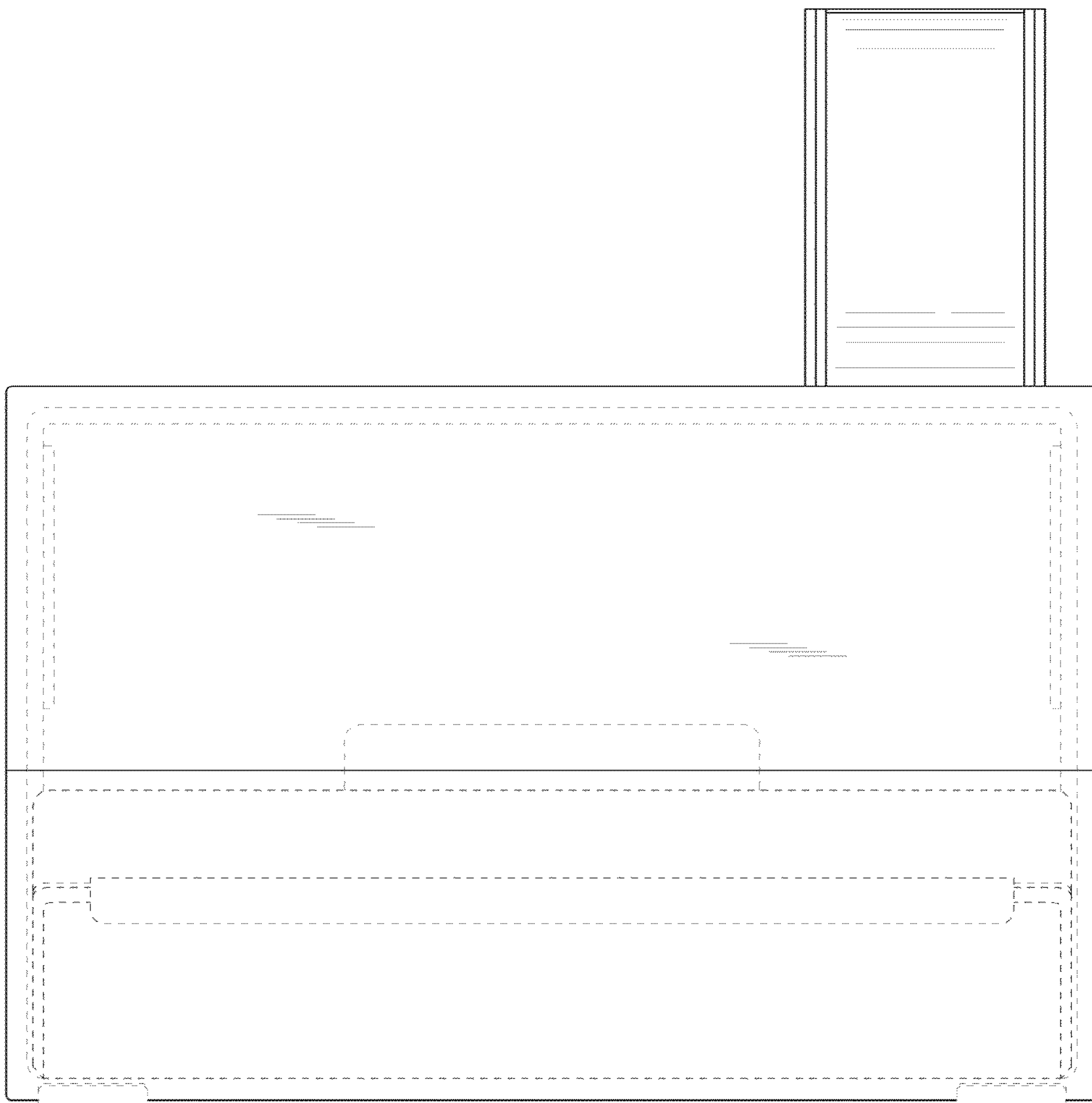


FIG.4

FIG.5

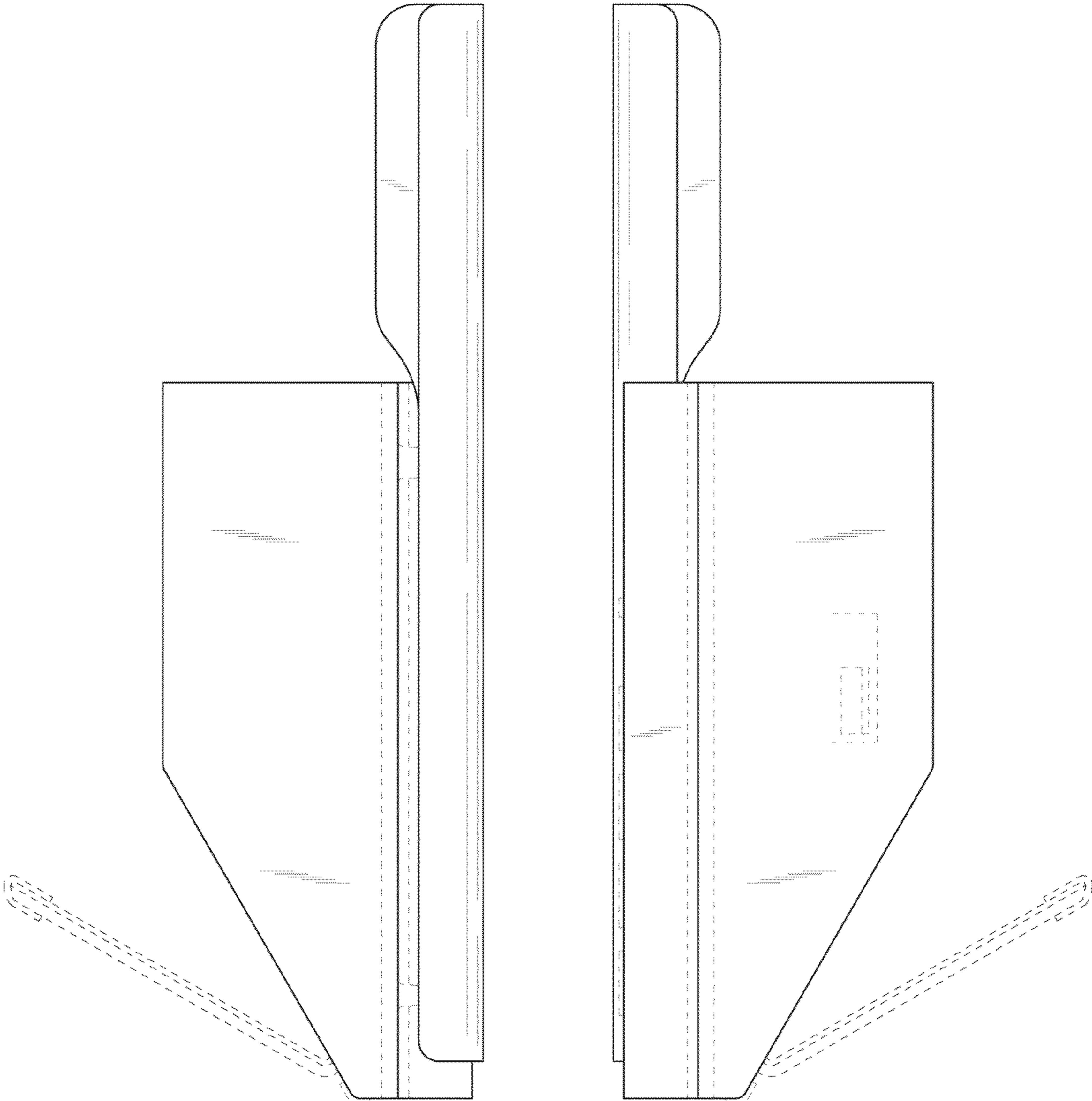


FIG.6



FIG.7

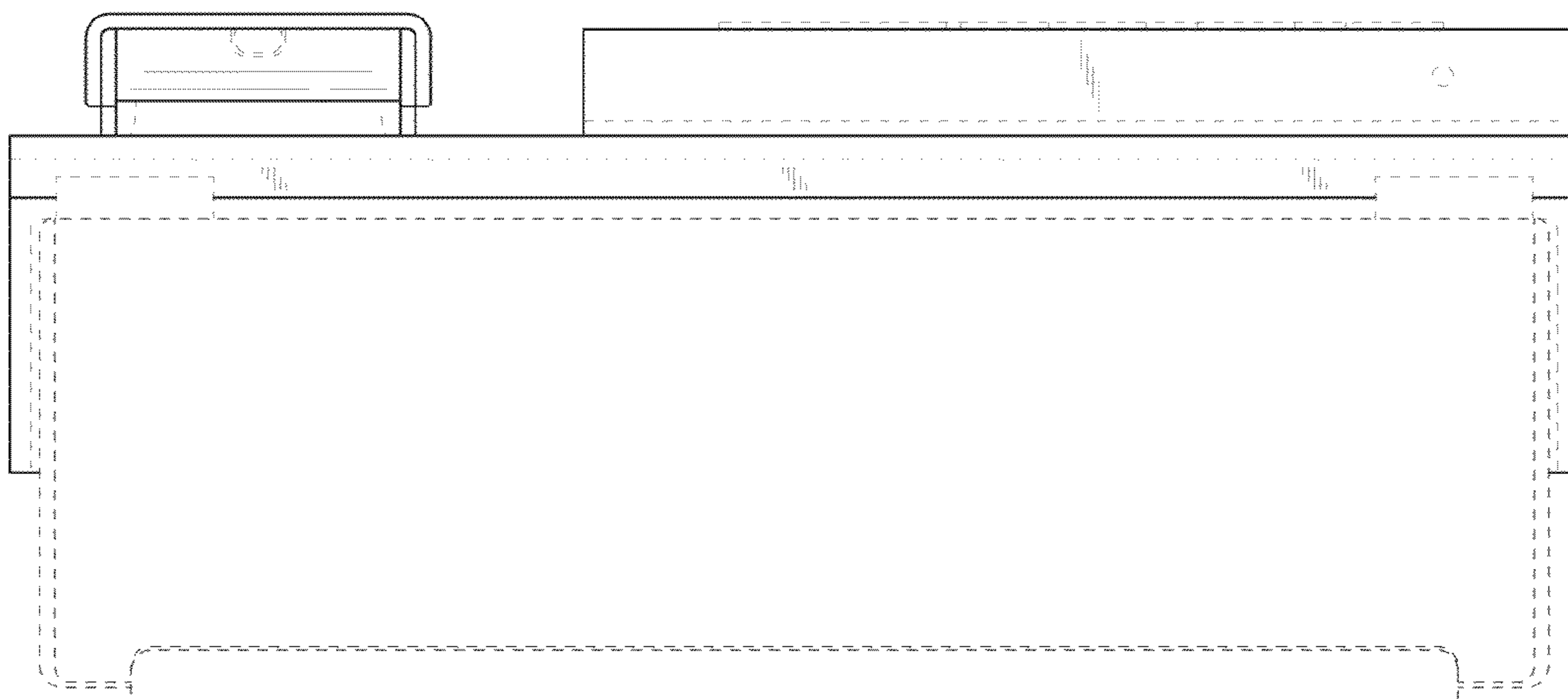


FIG.8

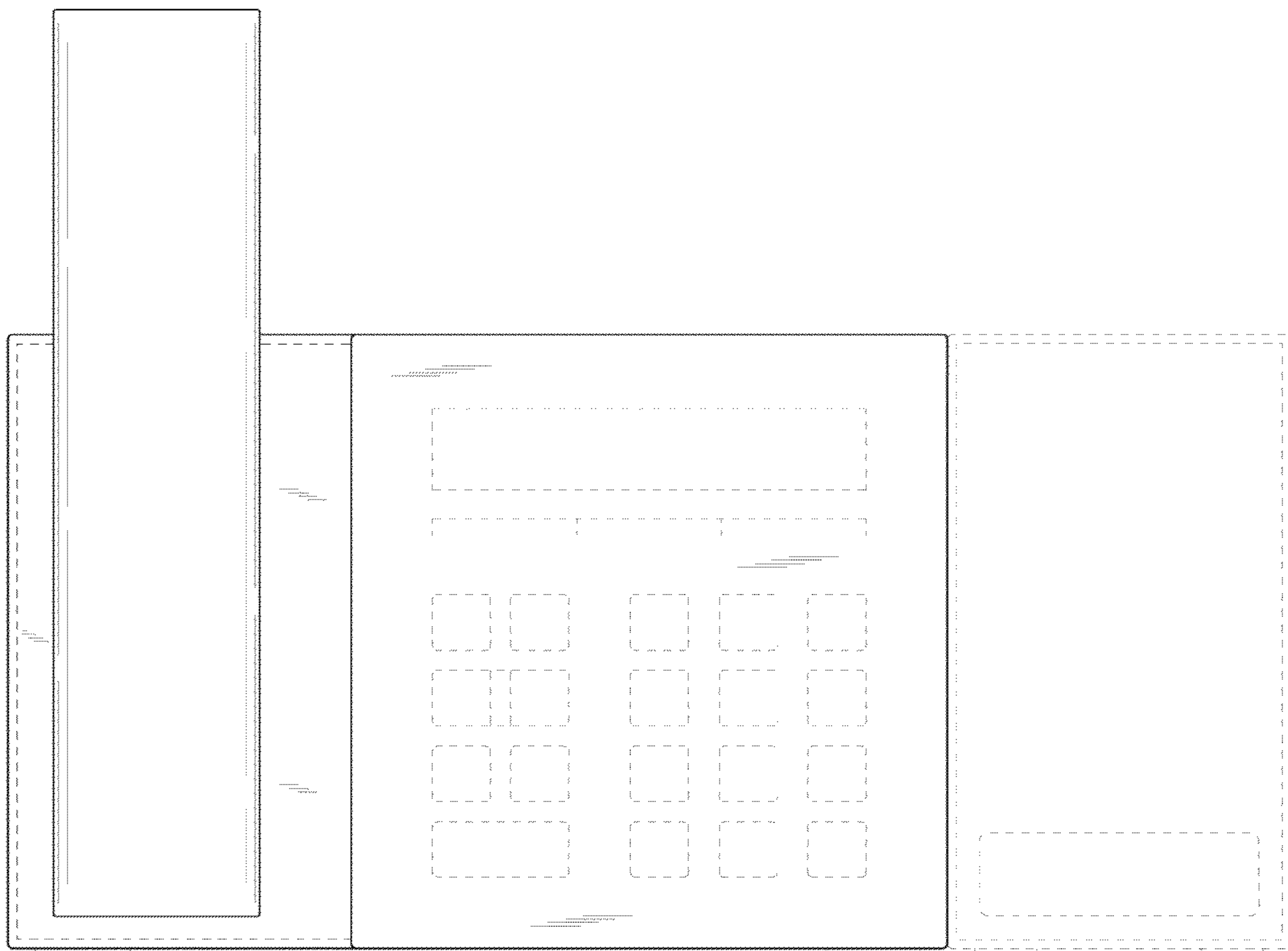


FIG.9

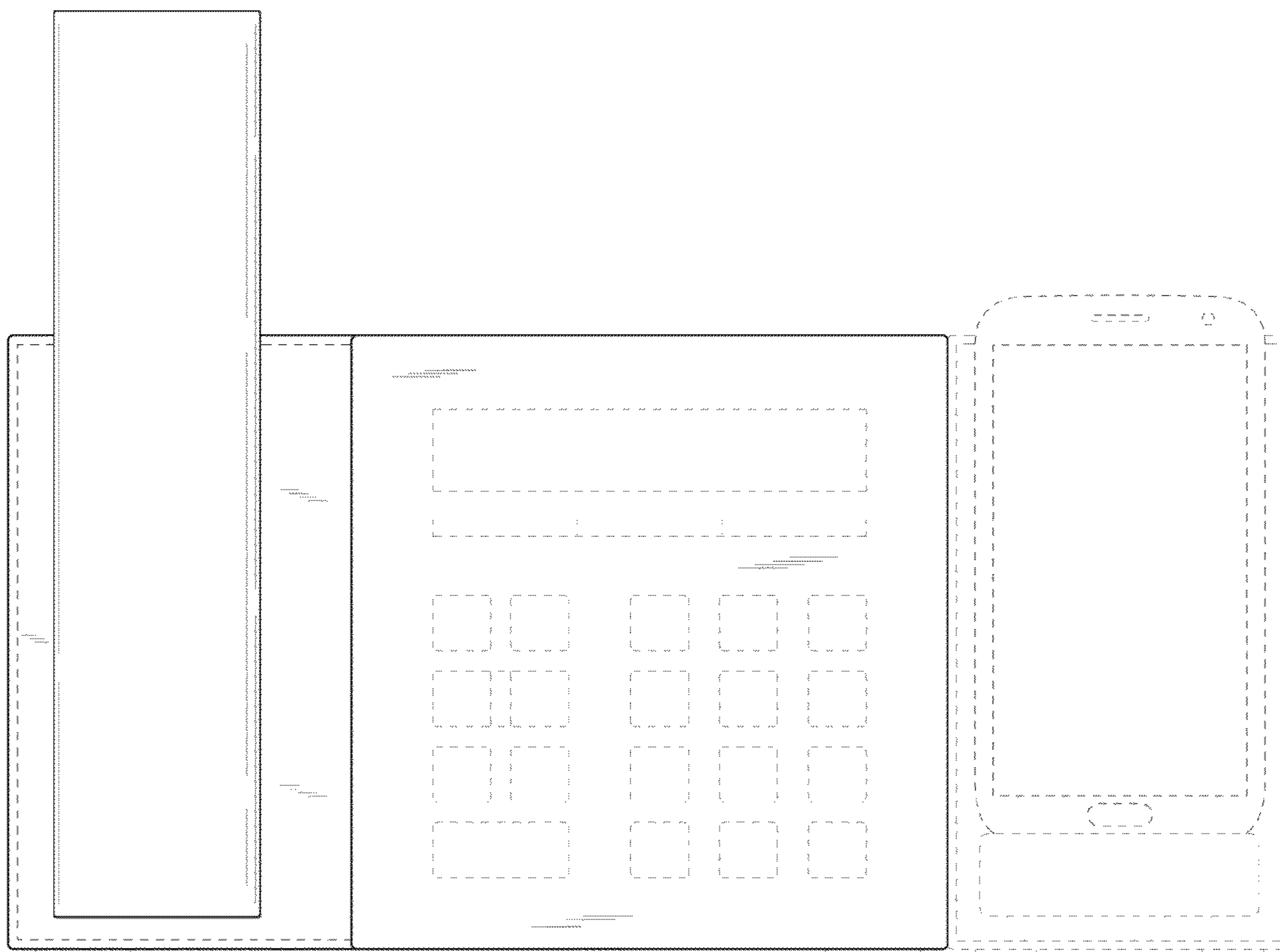


FIG.10

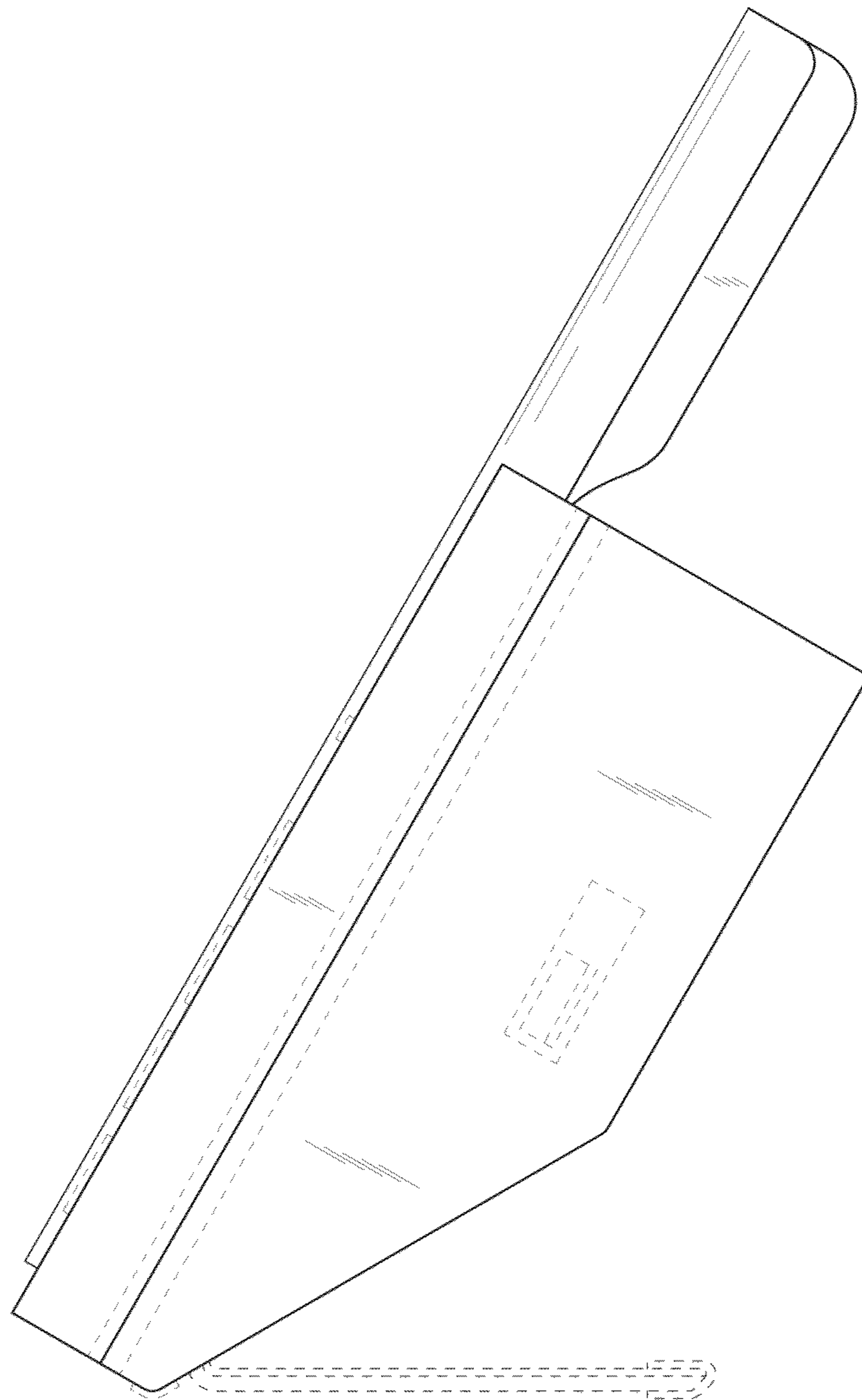


FIG.11

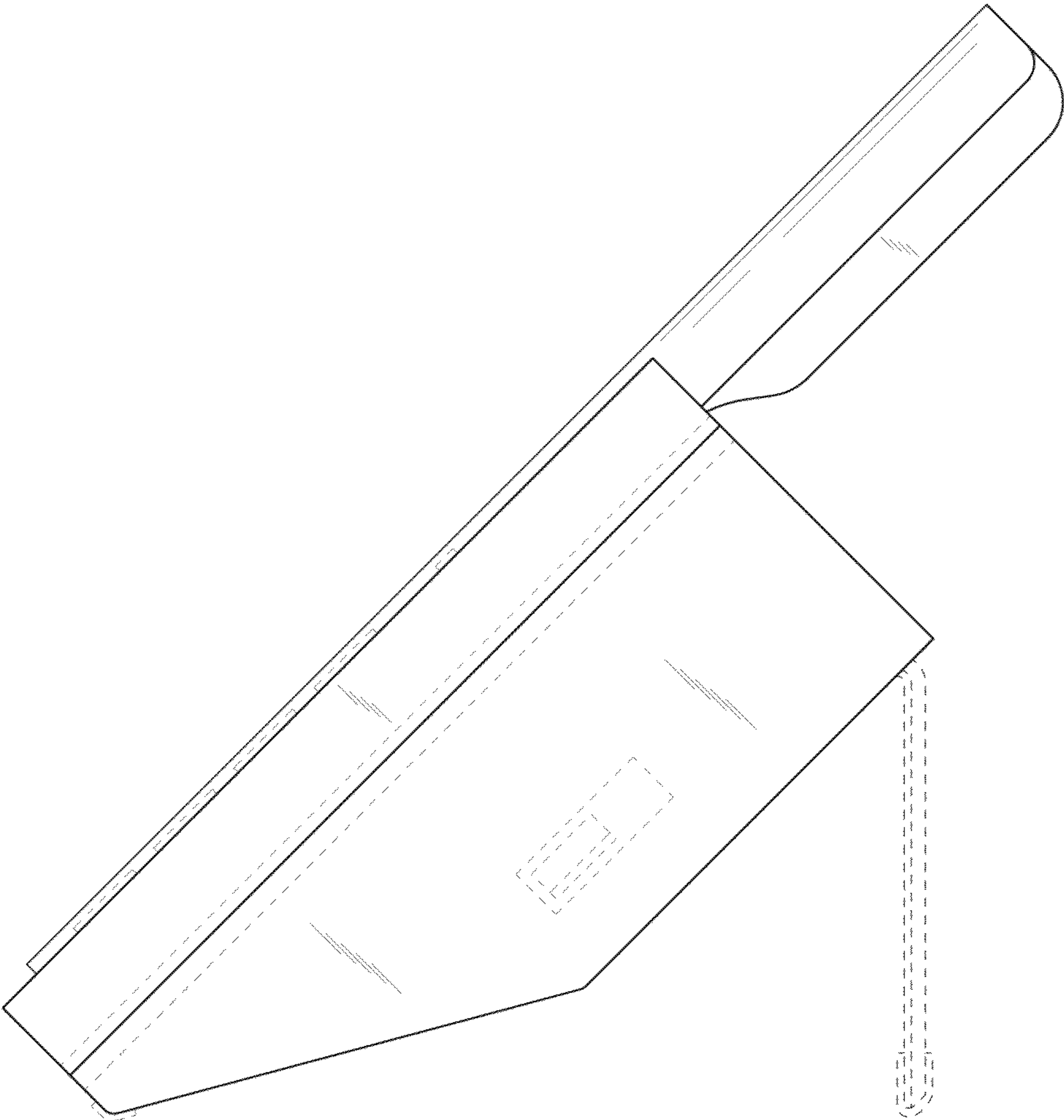


FIG.12

