



US00D738844S

(12) **United States Design Patent**  
**Lee et al.**

(10) **Patent No.:** **US D738,844 S**  
(45) **Date of Patent:** **\*\* Sep. 15, 2015**

(54) **CELLULAR PHONE**

(71) Applicant: **LG ELECTRONICS INC.**, Seoul (KR)

(72) Inventors: **Hophil Lee**, Gyeonggi-do (KR);  
**Eunseok Choi**, Gyeonggi-do (KR);  
**Seungbeom Park**, Gyeonggi-do (KR)

(73) Assignee: **LG Electronics Inc.**, Seoul (KR)

(\*\*) Term: **14 Years**

(21) Appl. No.: **29/477,688**

(22) Filed: **Dec. 26, 2013**

(30) **Foreign Application Priority Data**

Jun. 27, 2013 (KR) ..... 30-2013-0033098

(51) **LOC (10) Cl.** ..... **14-03**

(52) **U.S. Cl.**  
USPC ..... **D14/138 AD**

(58) **Field of Classification Search**  
USPC ..... D14/138 G, 138 AC, 138 AD, 138 R,  
D14/203.1, 203.3, 203.5, 203.7, 218, 248,  
D14/257, 250, 341, 441, 443, 496;  
D21/517, 329, 331; D13/168; D10/65,  
D10/78; 455/556.1, 556.2, 575.1, 575.3,  
455/575.4, 566; 379/433.01, 433.04;  
361/679.3, 679.56  
CPC ..... H04M 1/02; H04M 1/0202; H04M  
1/0202-1/035; H04M 1/0235; H04M 1/0237;  
H04M 1/0239; H04M 2250/22  
See application file for complete search history.

(56) **References Cited**

**U.S. PATENT DOCUMENTS**

D580,401 S \* 11/2008 Kim et al. .... D14/138 AD  
D603,858 S \* 11/2009 Webb et al. .... D14/248

(Continued)

**OTHER PUBLICATIONS**

Nokia N97 mini, announced Sep. 2009, [online], [site visited Jul. 10, 2015]. Available from Internet, <URL: http://www.gsmarena.com/nokia\_n97\_mini-2921.php>.\*

(Continued)

*Primary Examiner* — Rosemary K Tarcza

*Assistant Examiner* — Sanjeev Paul

(74) *Attorney, Agent, or Firm* — Morgan, Lewis & Bockius LLP

(57) **CLAIM**

The ornamental design for a cellular phone, as shown and described.

**DESCRIPTION**

FIG. 1 is a front, right side, perspective view of a cellular phone showing our new design;  
FIG. 2 is a front view thereof;  
FIG. 3 is a rear view thereof;  
FIG. 4 is a left side view thereof;  
FIG. 5 is a right side view thereof;  
FIG. 6 is a top view thereof;  
FIG. 7 is a bottom view thereof;  
FIG. 8 is a front, right side, perspective view thereof showing the state of opening;  
FIG. 9 is a front view thereof showing the state of opening;  
FIG. 10 is a rear view thereof showing the state of opening;  
FIG. 11 is a left side view thereof showing the state of opening;  
FIG. 12 is a right side view thereof showing the state of opening;  
FIG. 13 is a top view thereof showing the state of opening;  
and,  
FIG. 14 is a bottom view thereof showing the state of opening.  
The portion of the article shown in broken lines is for the purpose of showing environmental structure only and forms no part of the claimed design.

**1 Claim, 11 Drawing Sheets**



(56)

References Cited

U.S. PATENT DOCUMENTS

D604,285 S \* 11/2009 Madsen et al. .... D14/248  
 D605,644 S \* 12/2009 Stone et al. .... D14/248  
 D606,506 S \* 12/2009 Choi et al. .... D14/138 AD  
 D606,507 S \* 12/2009 Kim et al. .... D14/138 G  
 D606,961 S \* 12/2009 Aarras ..... D14/138 AD  
 D607,429 S \* 1/2010 Lim et al. .... D14/138 G  
 D613,261 S \* 4/2010 Cigliano et al. .... D14/138 AD  
 D625,700 S \* 10/2010 Sandberg et al. .... D14/138 AD  
 D634,292 S \* 3/2011 Sadatsuki ..... D14/138 AD  
 D634,294 S \* 3/2011 Dhondt ..... D14/138 AD  
 D638,391 S \* 5/2011 Price et al. .... D14/138 AD  
 D645,016 S \* 9/2011 Chung ..... D14/138 AD  
 D649,131 S \* 11/2011 Jyonoshita ..... D14/138 AD  
 D651,999 S \* 1/2012 Liu ..... D14/138 AD  
 8,199,478 B2 \* 6/2012 Liang et al. .... 361/679.3  
 8,335,078 B2 \* 12/2012 Lee et al. .... 361/679.56  
 8,391,935 B2 \* 3/2013 Wickman et al. .... 455/575.4  
 D696,214 S \* 12/2013 Kim ..... D14/138 G  
 D706,735 S \* 6/2014 Yoo et al. .... D14/138 G

D721,342 S \* 1/2015 Kim et al. .... D14/138 G  
 D722,581 S \* 2/2015 Kim et al. .... D14/138 G  
 D722,583 S \* 2/2015 Kim et al. .... D14/138 G  
 D723,492 S \* 3/2015 Kim et al. .... D14/138 G  
 D723,493 S \* 3/2015 Weng ..... D14/138 G  
 D729,190 S \* 5/2015 Kwak et al. .... D14/138 G  
 D729,756 S \* 5/2015 Liu et al. .... D14/138 G  
 2012/0262887 A1 \* 10/2012 Park et al. .... 361/749  
 2012/0302297 A1 \* 11/2012 Patel et al. .... 455/575.4  
 2013/0148276 A1 \* 6/2013 Yu ..... 361/679.01  
 2015/0016036 A1 \* 1/2015 Morioka et al. .... 361/679.3  
 2015/0109170 A1 \* 4/2015 Kang et al. .... 343/702

OTHER PUBLICATIONS

HTC Desire Z, announced Sep. 2010, [online], [site visited Jul. 10, 2015]. Available from Internet, <URL: [http://www.gsmarena.com/htc\\_desire\\_z-3421.php](http://www.gsmarena.com/htc_desire_z-3421.php)>.\*  
 Nokia C6 announced Apr. 2010, [online], [site visited Jul. 10, 2015]. Available from Internet, <URL: [http://www.gsmarena.com/nokia\\_c6-3229.php](http://www.gsmarena.com/nokia_c6-3229.php)>.\*

\* cited by examiner

FIG. 1

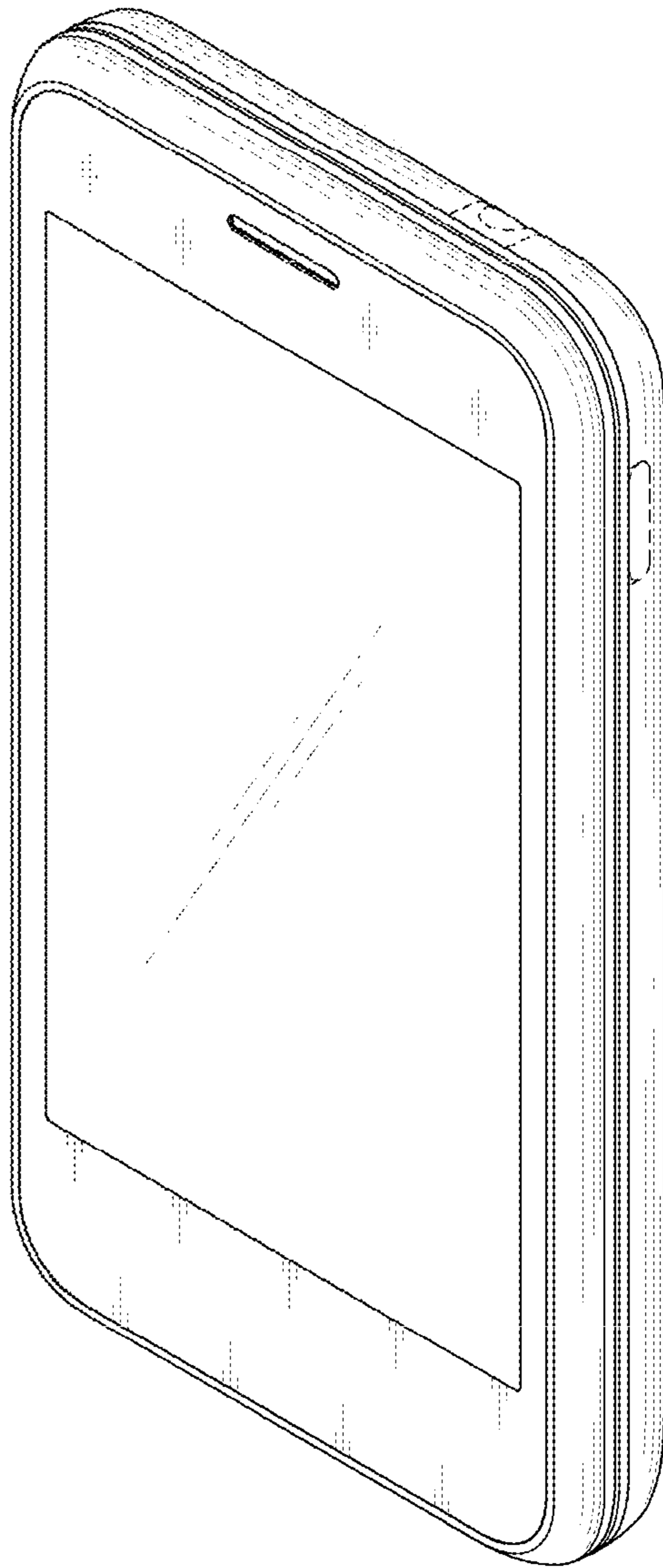


FIG. 2

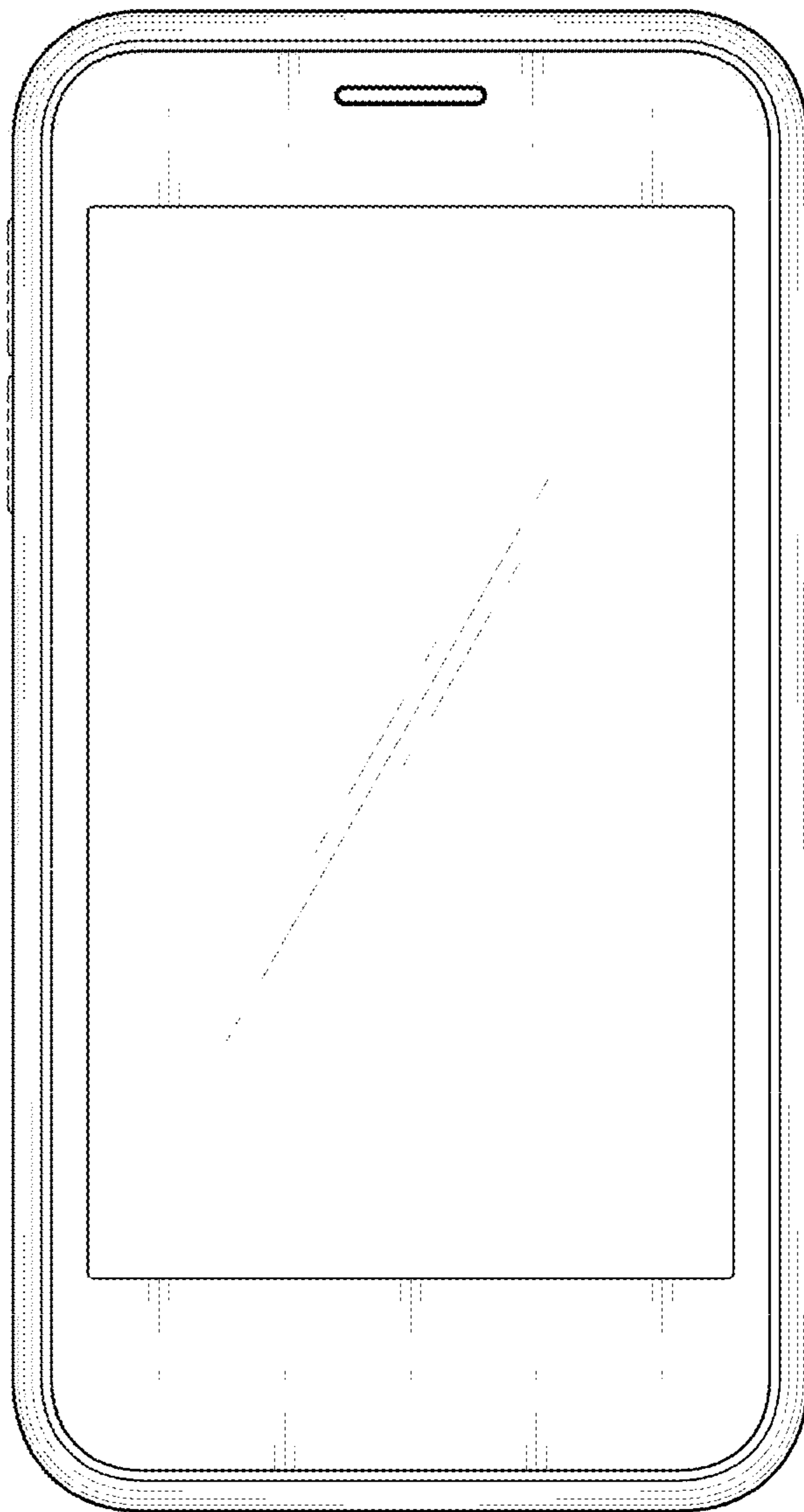


FIG. 3

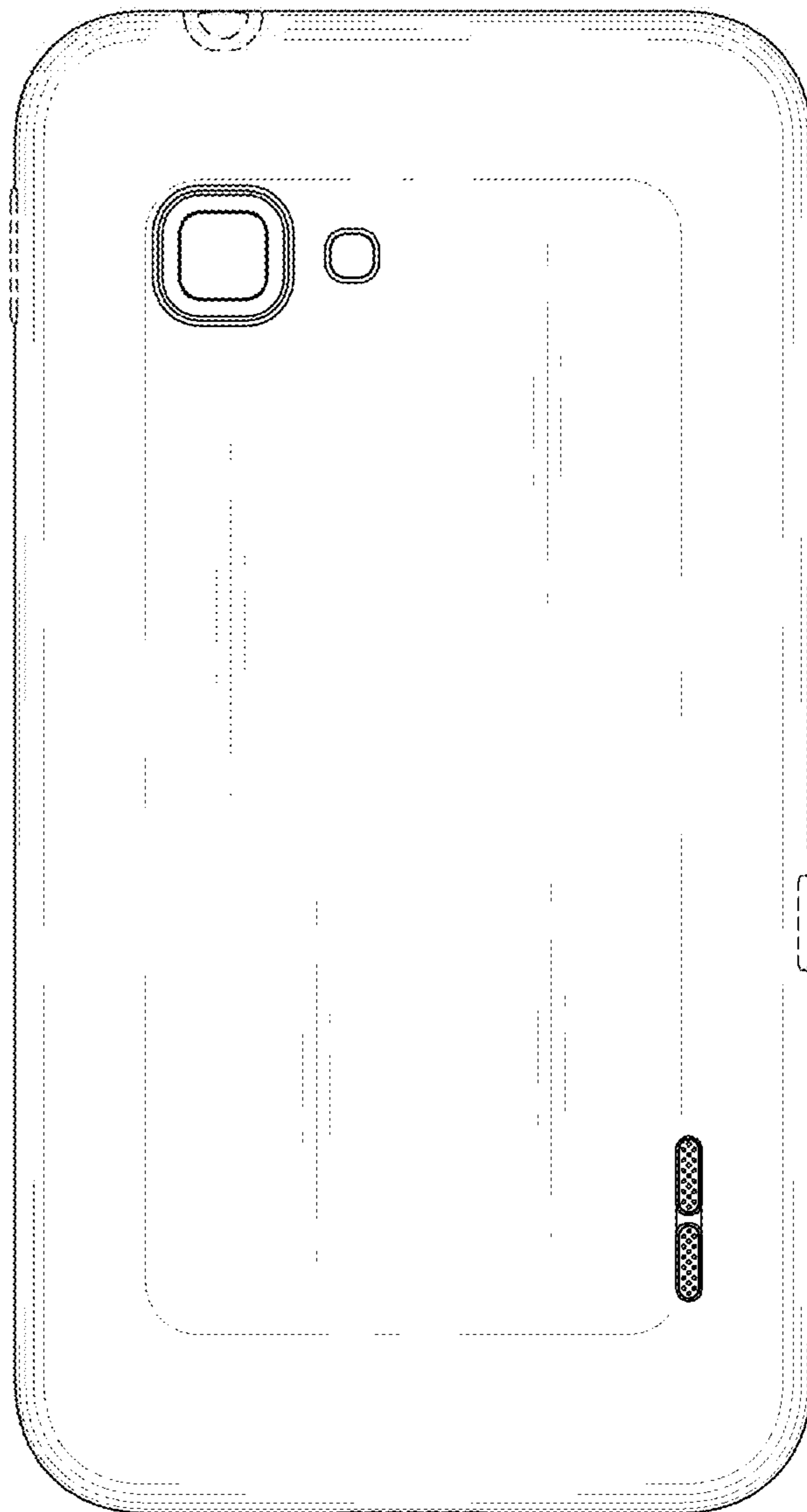


FIG. 4

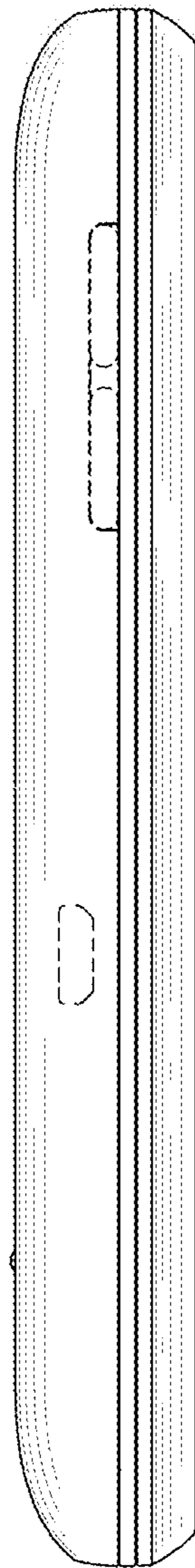




FIG. 5

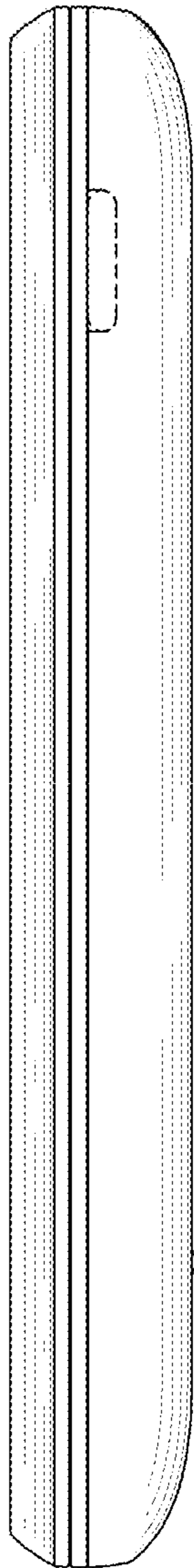


FIG. 6

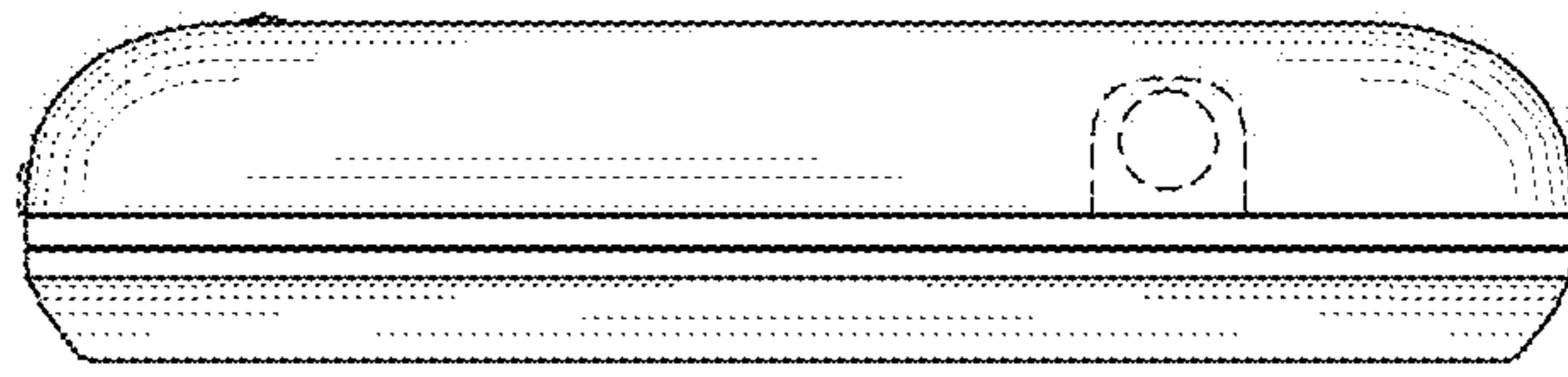


FIG. 7

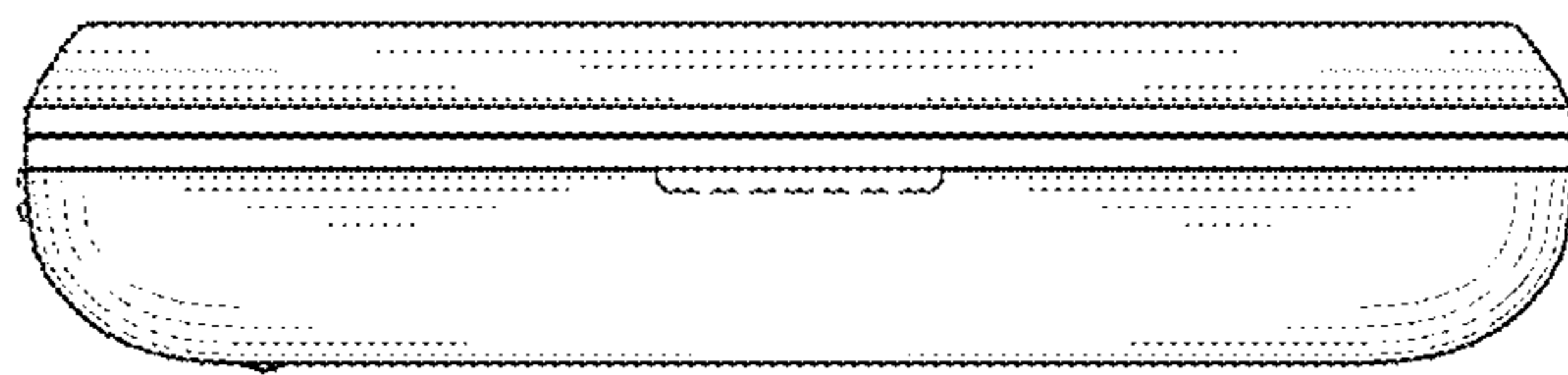




FIG. 8

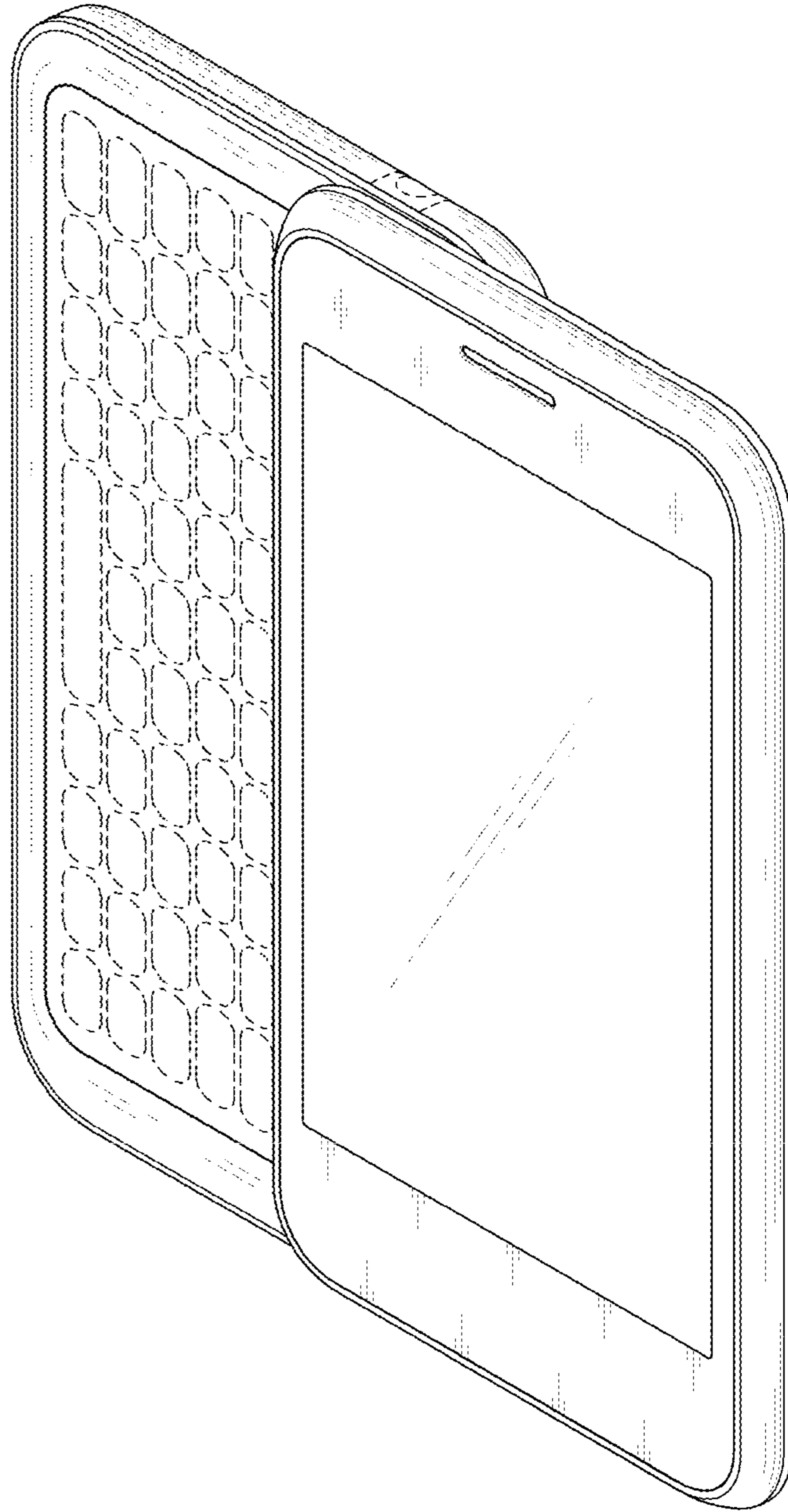


FIG. 9

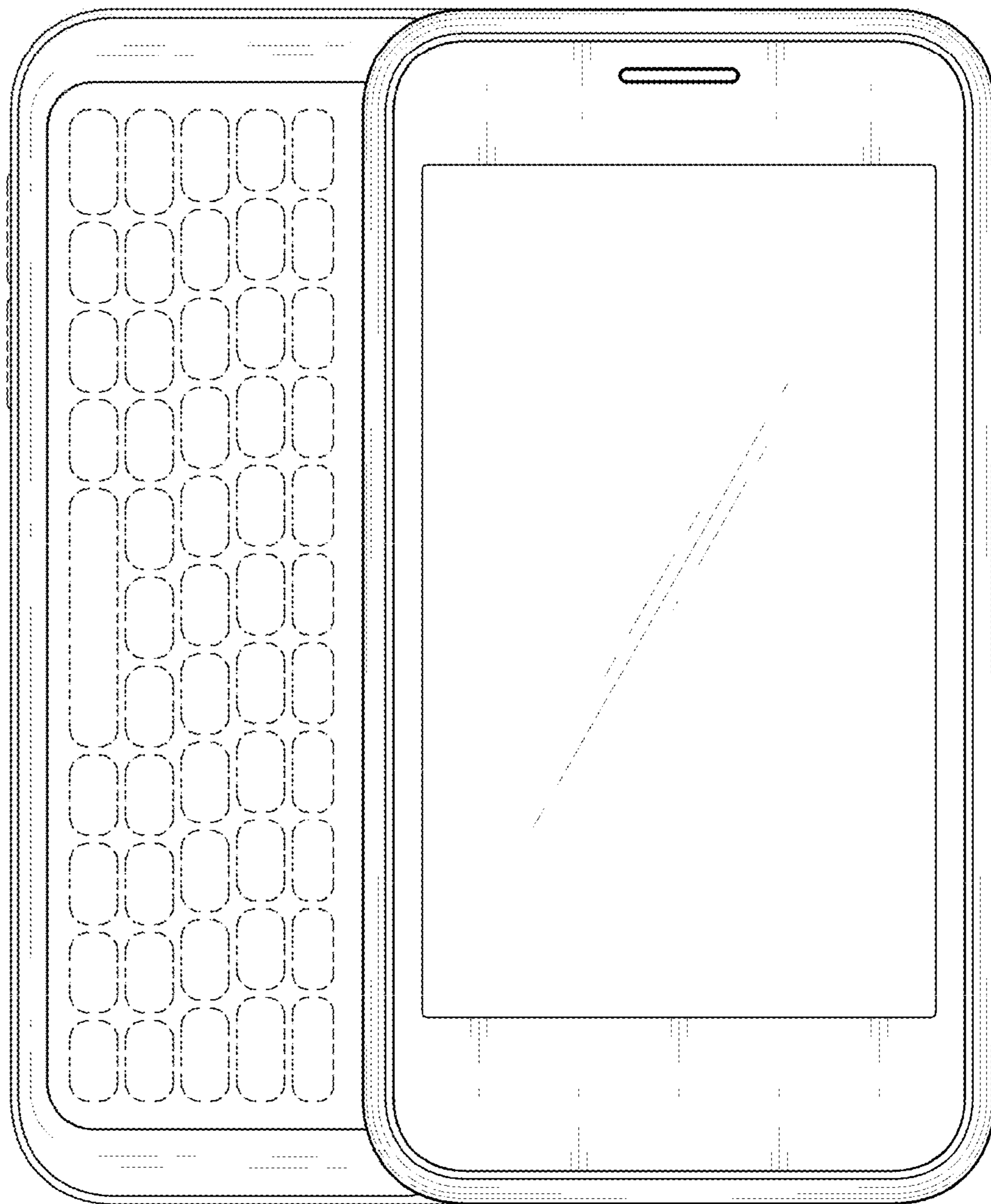


FIG. 10

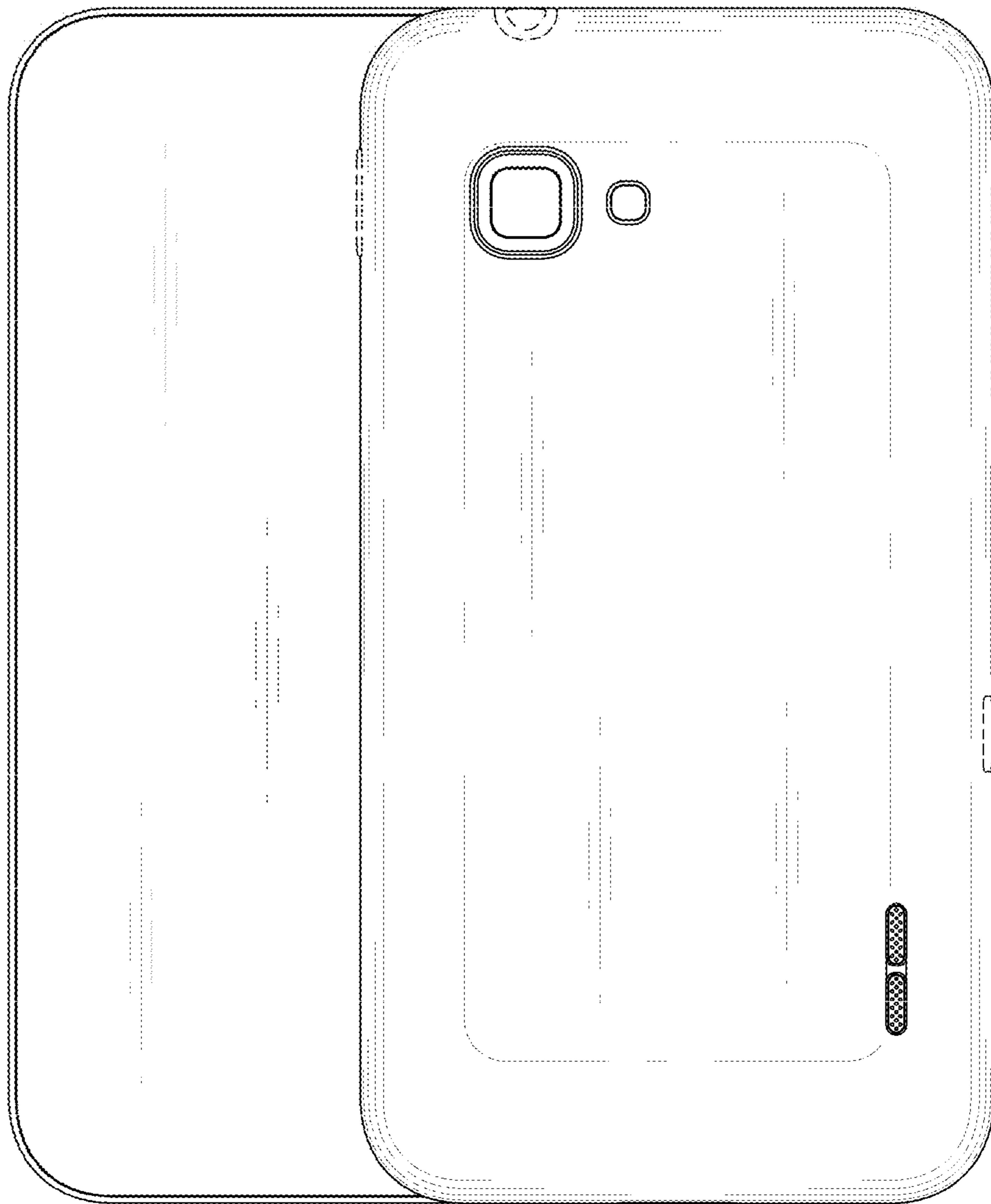


FIG. 11

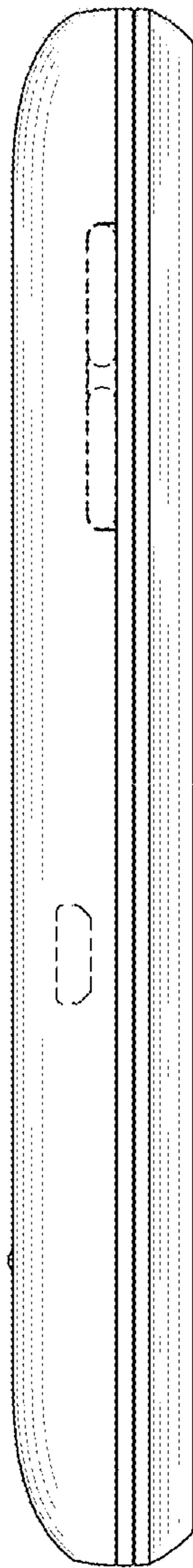


FIG. 12

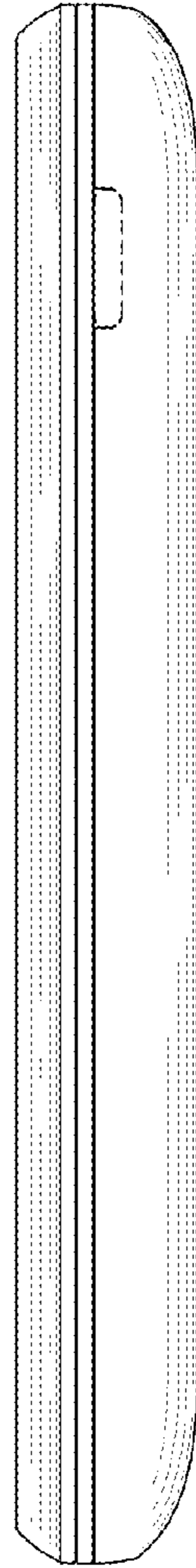


FIG. 13

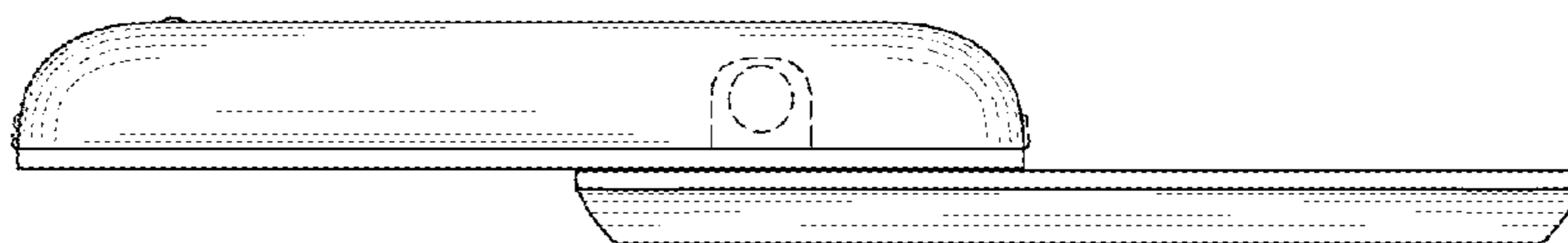


FIG. 14

