

US00D738836S

(12) **United States Design Patent**  
**Mandli**

(10) **Patent No.:** **US D738,836 S**

(45) **Date of Patent:** **\*\* Sep. 15, 2015**

(54) **ELECTRICAL CONNECTOR HOLDER**

(71) Applicant: **John Mandli**, Mount Pleasant, WI (US)

(72) Inventor: **John Mandli**, Mount Pleasant, WI (US)

(\*\*) Term: **14 Years**

(21) Appl. No.: **29/470,401**

(22) Filed: **Oct. 21, 2013**

(51) **LOC (10) Cl.** ..... **13-99**

(52) **U.S. Cl.**

USPC ..... **D13/199**

(58) **Field of Classification Search**

USPC ..... D13/155, 153, 154, 156, 157, 184, 199;  
D8/349, 354, 356, 394; 174/68.1, 68.2,  
174/68.3; 248/49, 53, 60; 361/827;  
385/134, 135; 439/207, 210, 445, 446,  
439/447; D10/64

CPC ..... B65D 71/00; B65D 85/20

See application file for complete search history.

(56) **References Cited**

**U.S. PATENT DOCUMENTS**

2,874,835	A	2/1959	Poupitch	
3,003,805	A	10/1961	Glazier	
3,084,792	A	4/1963	Poupitch	
3,608,949	A	9/1971	Owen	
3,744,626	A	7/1973	Dreyfus	
4,651,873	A	3/1987	Stolcenberg et al.	
4,798,286	A	1/1989	Muscanelli	
5,242,053	A	9/1993	Rowe	
D358,545	S *	5/1995	Price	D8/356

D361,513	S *	8/1995	Adami et al.	D9/455
5,924,613	A	7/1999	Johnson et al.	
D491,465	S	6/2004	Kelleghan	
D568,254	S *	5/2008	Patchett et al.	D13/155
D597,036	S *	7/2009	Tagawa et al.	D13/156
D608,287	S *	1/2010	Zheng et al.	D13/147
D622,955	S *	9/2010	Mudrick et al.	D3/208
D685,745	S *	7/2013	Lee et al.	D13/155

**OTHER PUBLICATIONS**

Bison Designs Bottle Bandit Web Page: <https://bisondesigns.com/products/bottle-bandit>, (Aug. 2014).

\* cited by examiner

*Primary Examiner* — Derrick Holland

(74) *Attorney, Agent, or Firm* — David A. Gottardo

(57) **CLAIM**

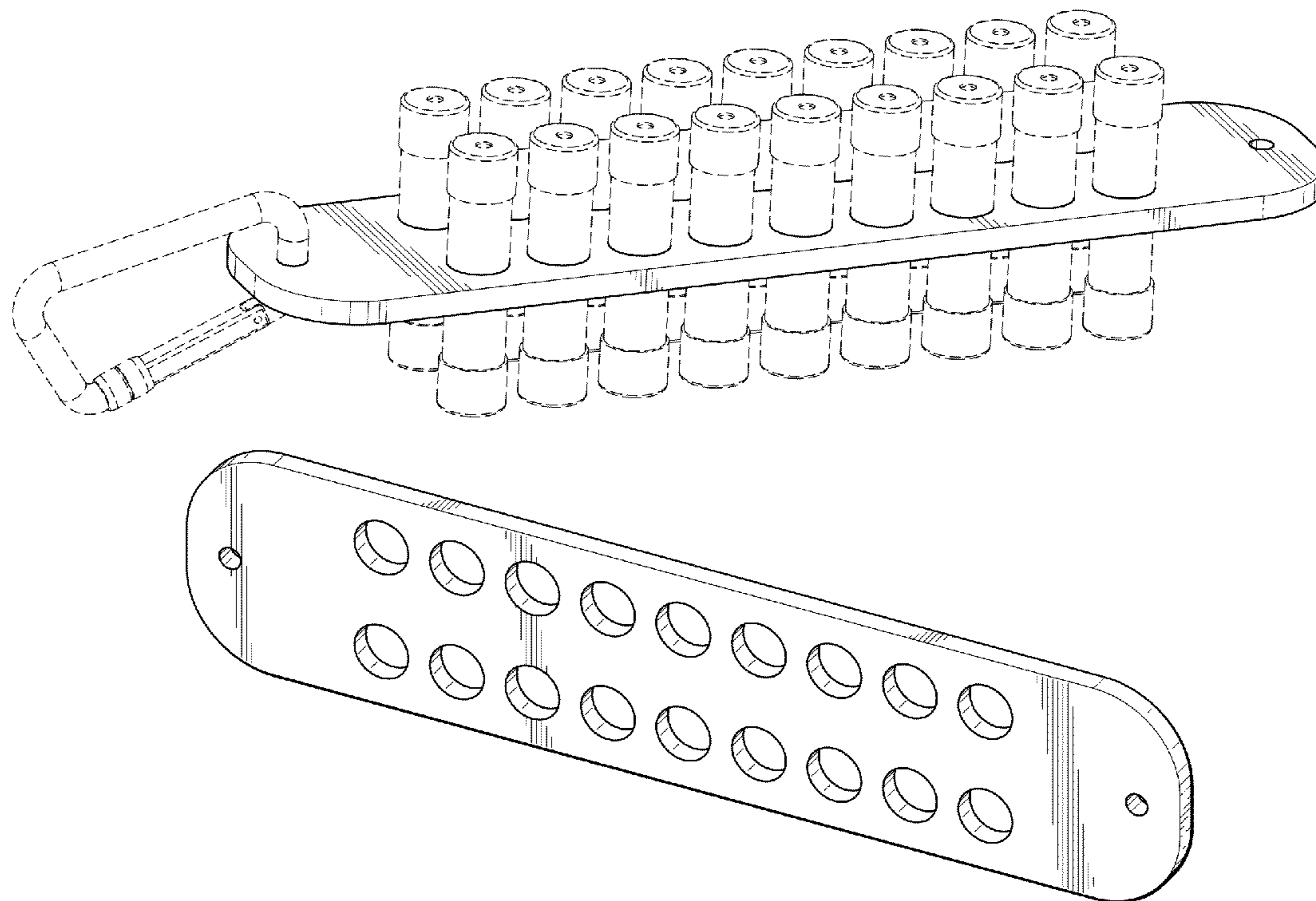
The ornamental design for an electrical connector holder, as shown and described.

**DESCRIPTION**

FIG. 1 is a perspective view of an electrical connector holder showing my new design in environmental use; FIG. 2 is a perspective view of an electrical connector holder showing my new design; FIG. 3 is a top plan view thereof; FIG. 4 is a bottom plan view thereof; FIG. 5 is a right side elevation view thereof; FIG. 6 is a left side elevation view thereof; FIG. 7 is a front view thereof; and, FIG. 8 is a rear view thereof.

The broken lines shown represent unclaimed subject matter and form no part of the claimed design.

**1 Claim, 4 Drawing Sheets**



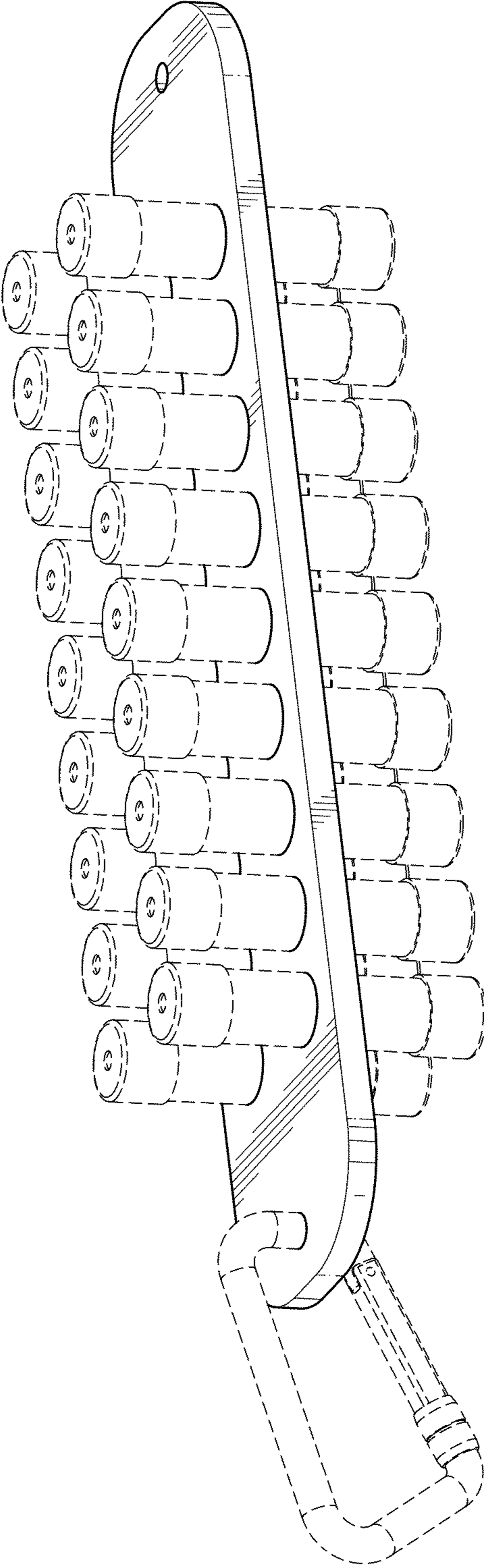
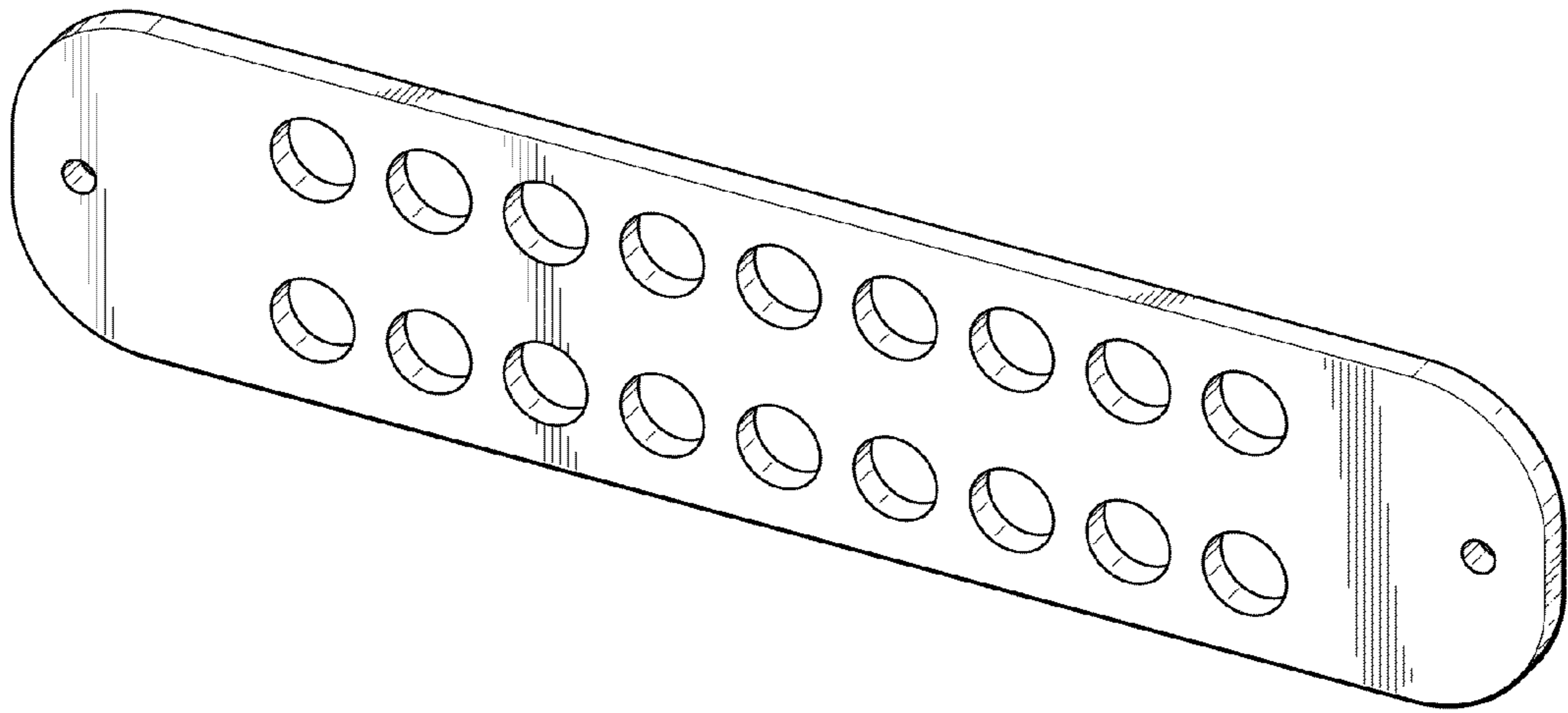
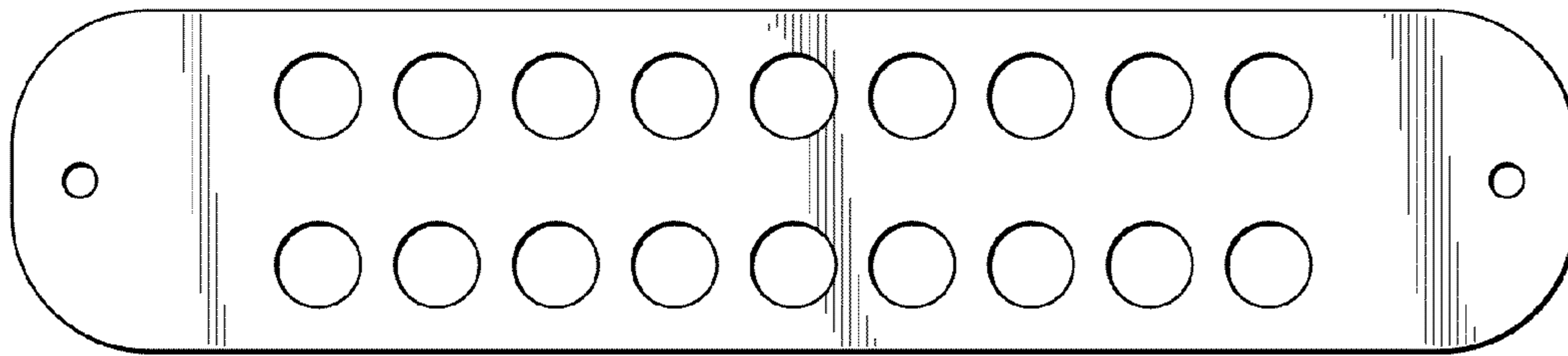


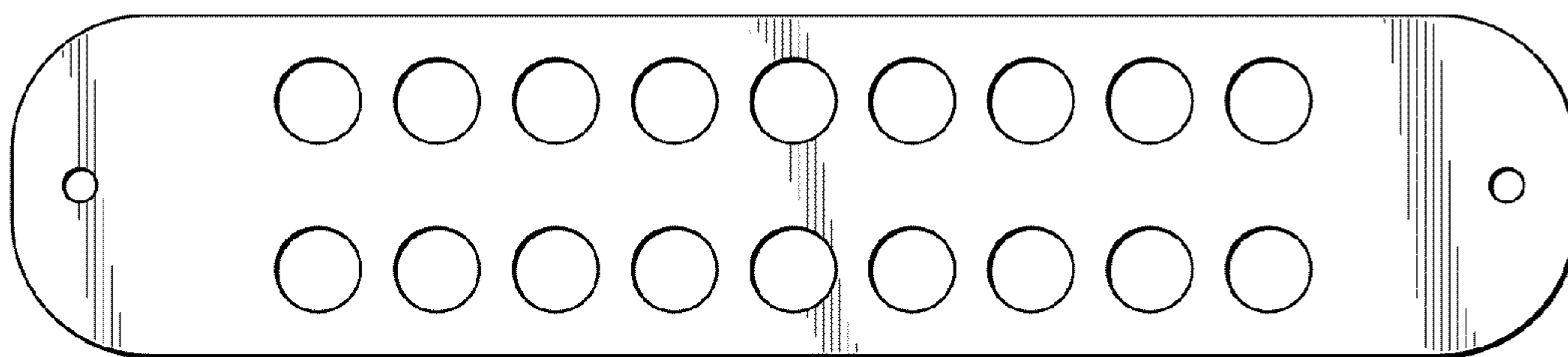
FIG. 1



*FIG. 2*



*FIG. 3*



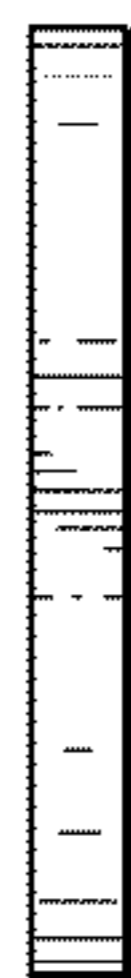
*FIG. 4*



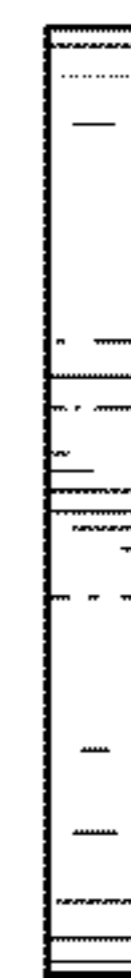
*FIG. 5*



*FIG. 6*



*FIG. 7*



*FIG. 8*