



US00D738834S

(12) **United States Design Patent**  
**Xie**

(10) **Patent No.:** **US D738,834 S**  
(45) **Date of Patent:** **\*\* Sep. 15, 2015**

(54) **DRIVER CIRCUIT INTEGRATED LED MODULE**

(71) Applicant: **Jianhui Xie**, Toronto (CA)

(72) Inventor: **Jianhui Xie**, Toronto (CA)

(\*\*) Term: **14 Years**

(21) Appl. No.: **29/497,872**

(22) Filed: **Jul. 29, 2014**

(51) **LOC (10) Cl.** ..... **13-03**

(52) **U.S. Cl.**  
USPC ..... **D13/182**

(58) **Field of Classification Search**

USPC ..... D13/182; 315/307, 224, 308, 309, 391,  
315/129, 247, 209 R, 169.1; 363/89;  
362/800, 543-545; 257/84, 99, 676,  
257/E25.032

CPC .... H01L 25/167; H01L 27/15; H01L 31/162;  
H01L 31/18; H05B 37/02; H05B 33/0815;  
H05B 33/0803; H05B 33/0806; H05B  
33/0833; H05B 43/00; H05B 43/02; H05B  
41/36; H05B 41/38; H05B 41/26; H05B  
41/28; H05B 41/3921; H05B 41/2828; H05B  
41/2827

See application file for complete search history.

(56) **References Cited**

**U.S. PATENT DOCUMENTS**

D345,731	S *	4/1994	Owens et al.	.....	D13/182
5,347,160	A *	9/1994	Sutrina	.....	257/698
D357,462	S *	4/1995	Terasawa et al.	.....	D13/182
D357,671	S *	4/1995	Terasawa et al.	.....	D13/182
D359,028	S *	6/1995	Siegel et al.	.....	D13/182
5,661,645	A *	8/1997	Hochstein	.....	363/89
D395,423	S *	6/1998	Koyama et al.	.....	D13/182
D396,696	S *	8/1998	Takagi et al.	.....	D13/182
D396,846	S *	8/1998	Nakayama et al.	.....	D13/182
D396,847	S *	8/1998	Nakayama et al.	.....	D13/182
D397,092	S *	8/1998	Sano et al.	.....	D13/182

D453,141	S *	1/2002	Watanabe et al.	.....	D13/118
D453,142	S *	1/2002	Watanabe et al.	.....	D13/118
6,836,081	B2 *	12/2004	Swanson et al.	.....	315/307
7,042,165	B2 *	5/2006	Madhani et al.	.....	315/185 R
D531,140	S *	10/2006	Konno et al.	.....	D13/180
D532,758	S *	11/2006	Shimodaira et al.	.....	D13/184
7,402,961	B2 *	7/2008	Bayat et al.	.....	315/295
D591,697	S *	5/2009	Andrews et al.	.....	D13/182
D594,827	S *	6/2009	Loh et al.	.....	D13/182
D597,503	S *	8/2009	Maglica	.....	D13/182
D598,401	S *	8/2009	Takada et al.	.....	D13/182
D621,804	S *	8/2010	Sip et al.	.....	D13/182
7,872,430	B2 *	1/2011	Roberts et al.	.....	315/307
8,174,205	B2 *	5/2012	Myers et al.	.....	315/291
8,203,281	B2 *	6/2012	Cegnar et al.	.....	315/291
8,217,591	B2 *	7/2012	Chobot et al.	.....	315/307
8,247,992	B2 *	8/2012	Liu et al.	.....	315/291
D673,322	S *	12/2012	Van De Ven et al.	.....	D26/113
8,786,129	B2 *	7/2014	Sakuma	.....	307/10.8
8,933,467	B2 *	1/2015	Doan et al.	.....	257/84
D722,298	S *	2/2015	Saito et al.	.....	D13/182
8,946,927	B2 *	2/2015	Sakuma	.....	307/10.8

\* cited by examiner

*Primary Examiner* — Elizabeth J Oswecki

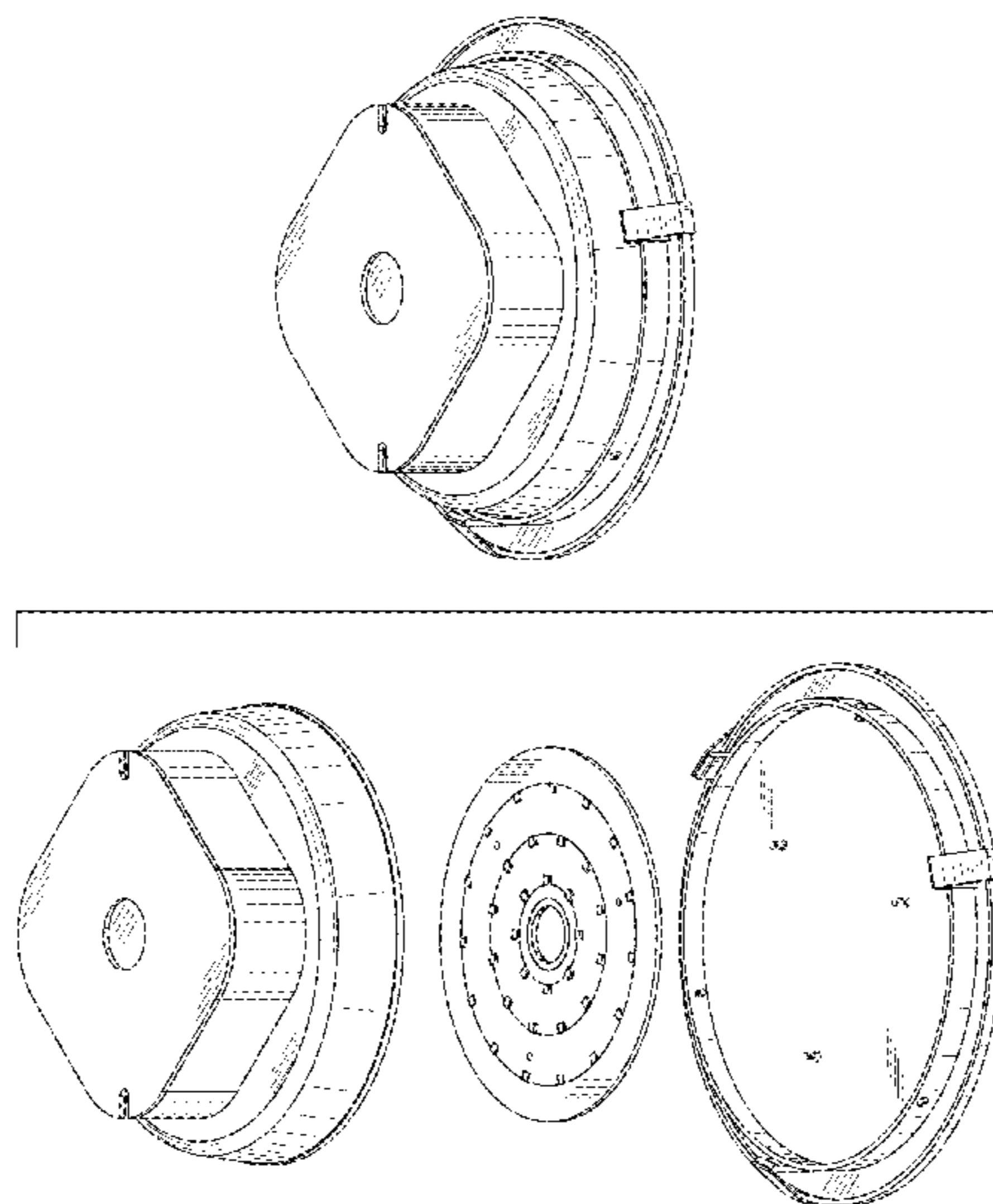
(57) **CLAIM**

The ornamental design for a driver circuit integrated LED module, as shown and described.

**DESCRIPTION**

FIG. 1 is a perspective view of a driver circuit integrated LED module showing my new design;  
FIG. 2 is a front elevational view thereof;  
FIG. 3 is a rear elevational view thereof;  
FIG. 4 is a left-side elevational view thereof;  
FIG. 5 is a right-side elevational view thereof;  
FIG. 6 is a top plan view thereof;  
FIG. 7 is a bottom plan view thereof;  
FIG. 8 is a top exploded perspective view thereof;  
FIG. 9 is a bottom exploded perspective view thereof; and,  
FIG. 10 is a front exploded view thereof.

**1 Claim, 10 Drawing Sheets**



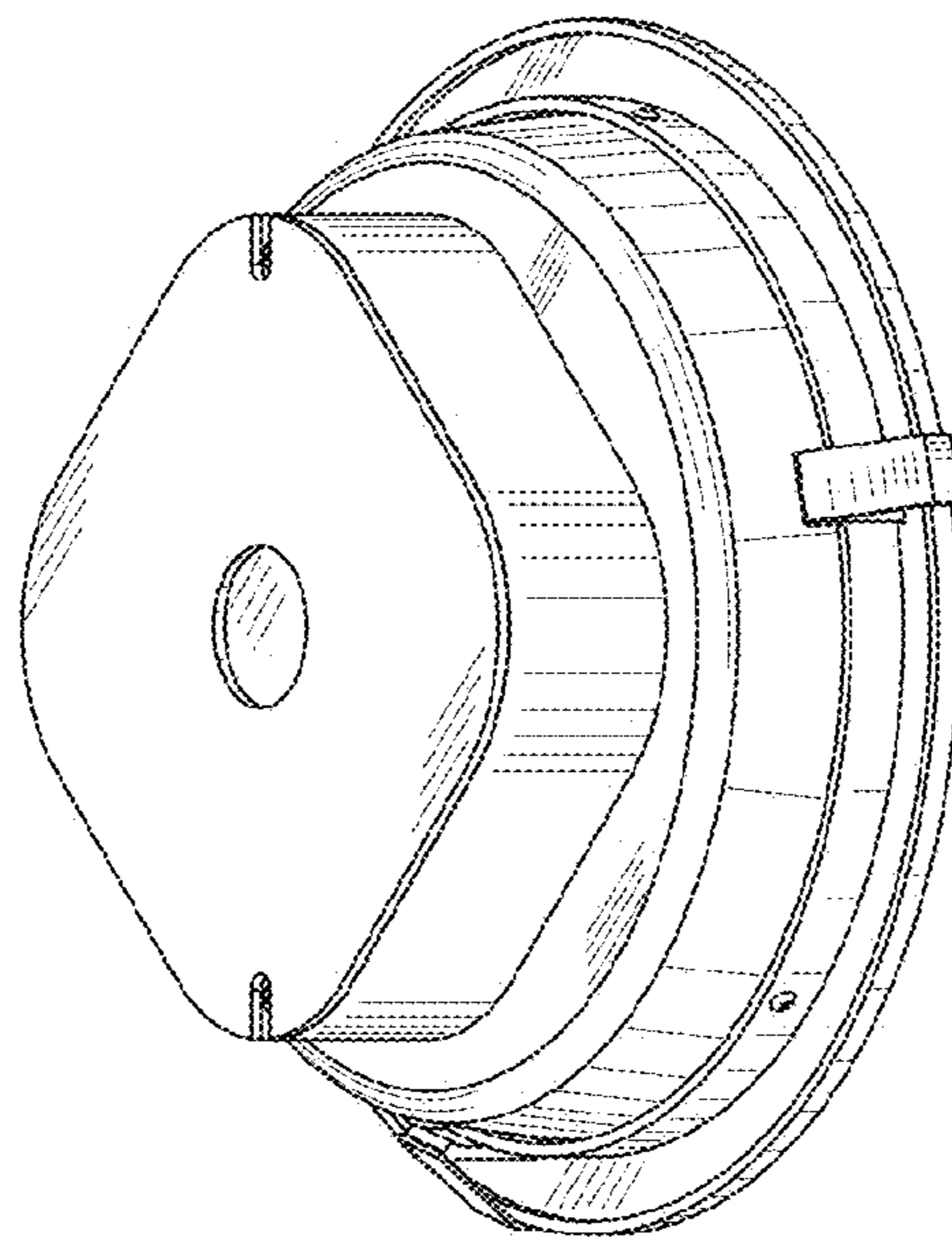


FIG. 1

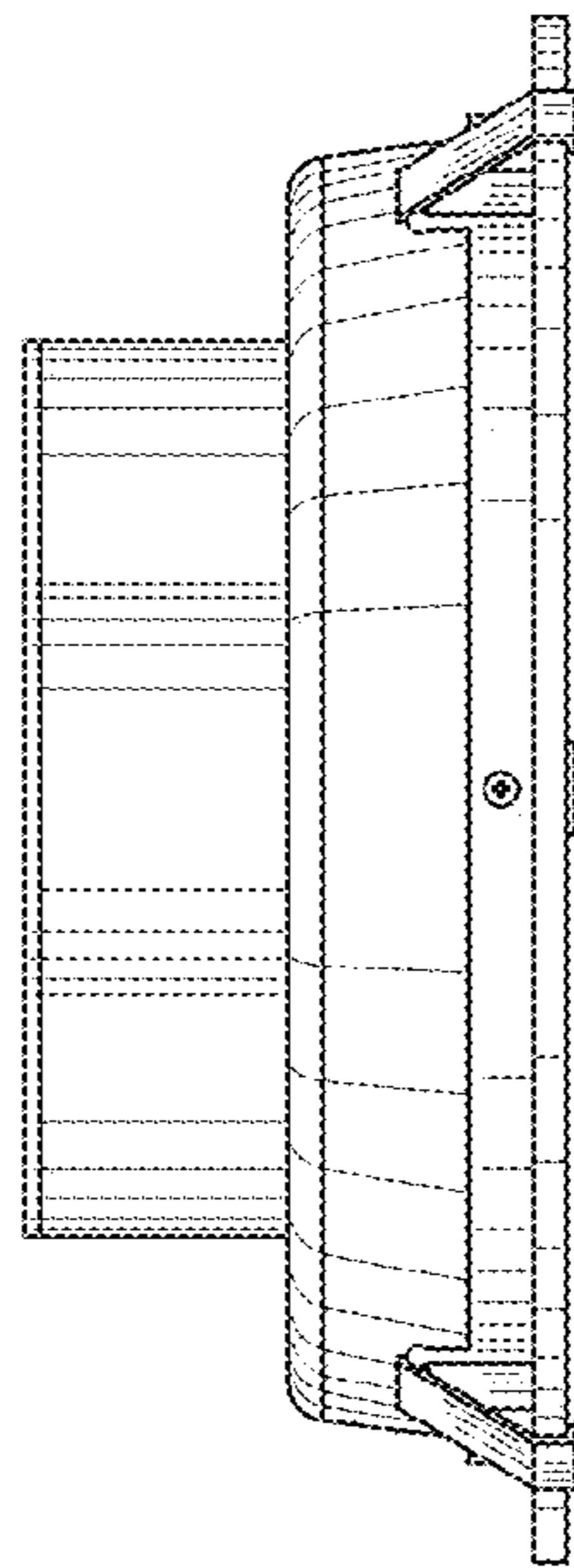


FIG. 2

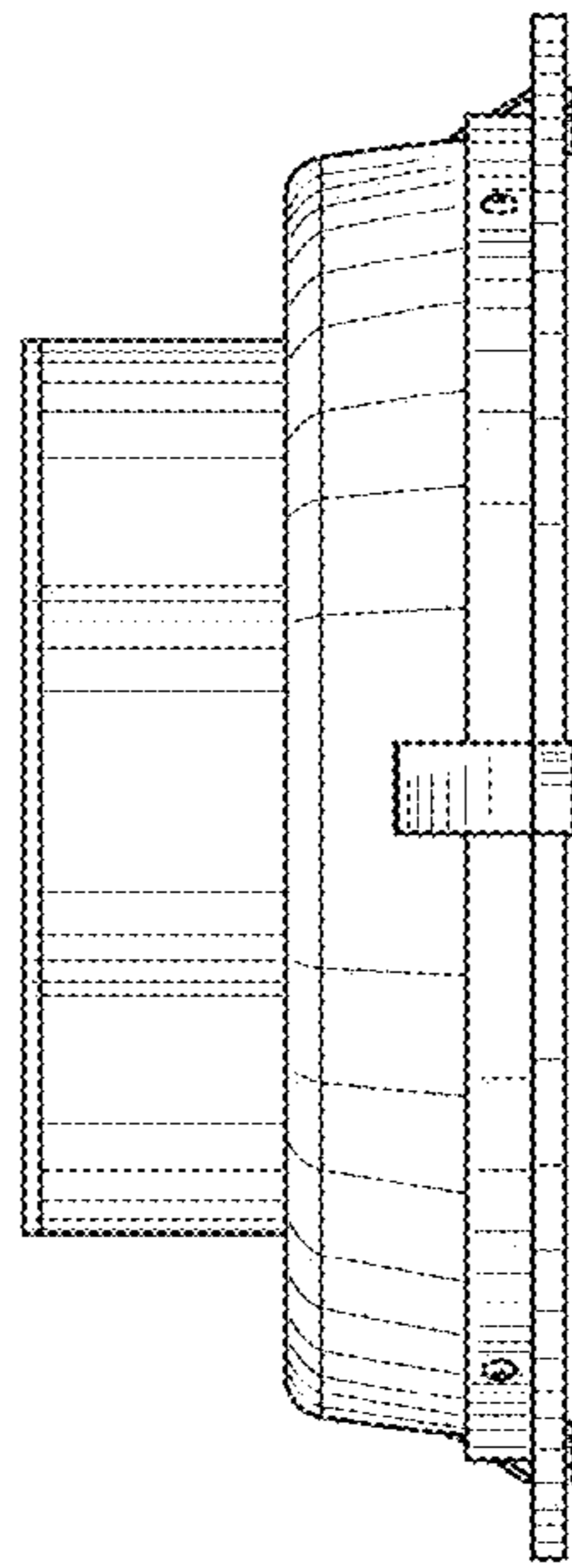


FIG. 3

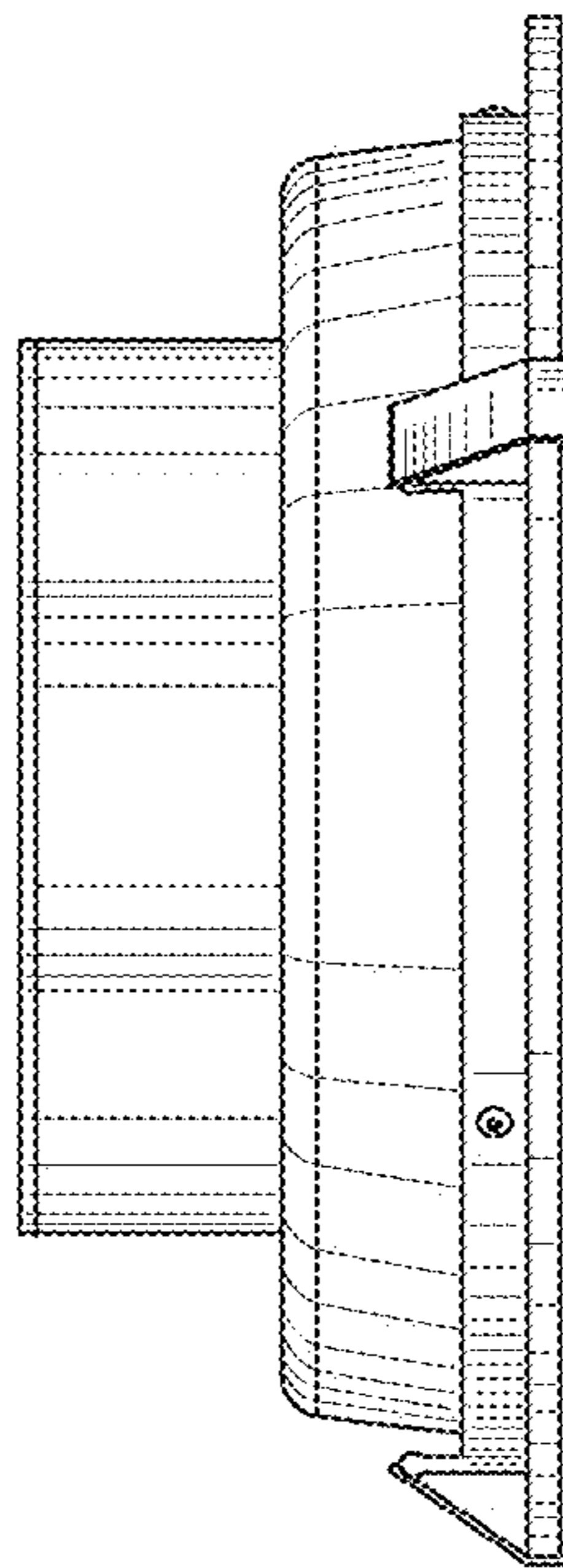


FIG. 4

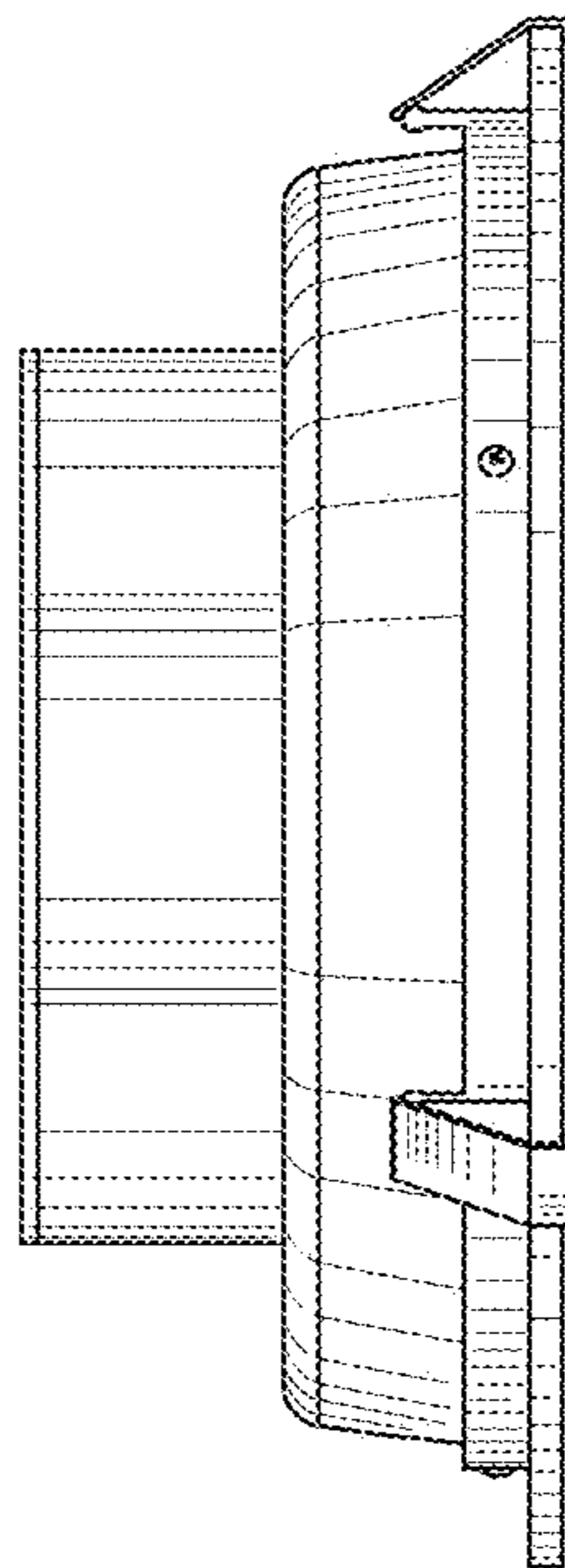


FIG. 5

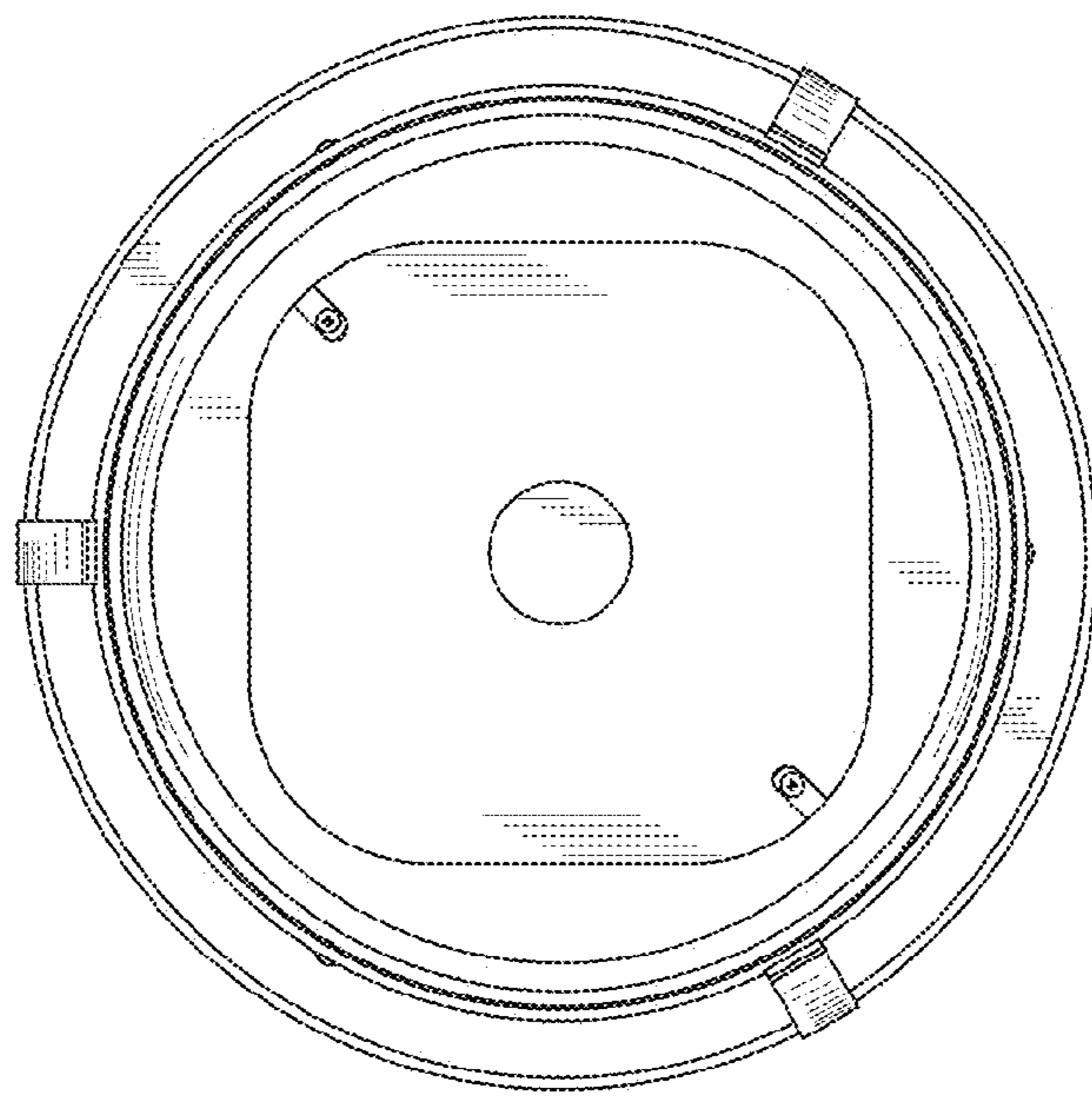


FIG. 6

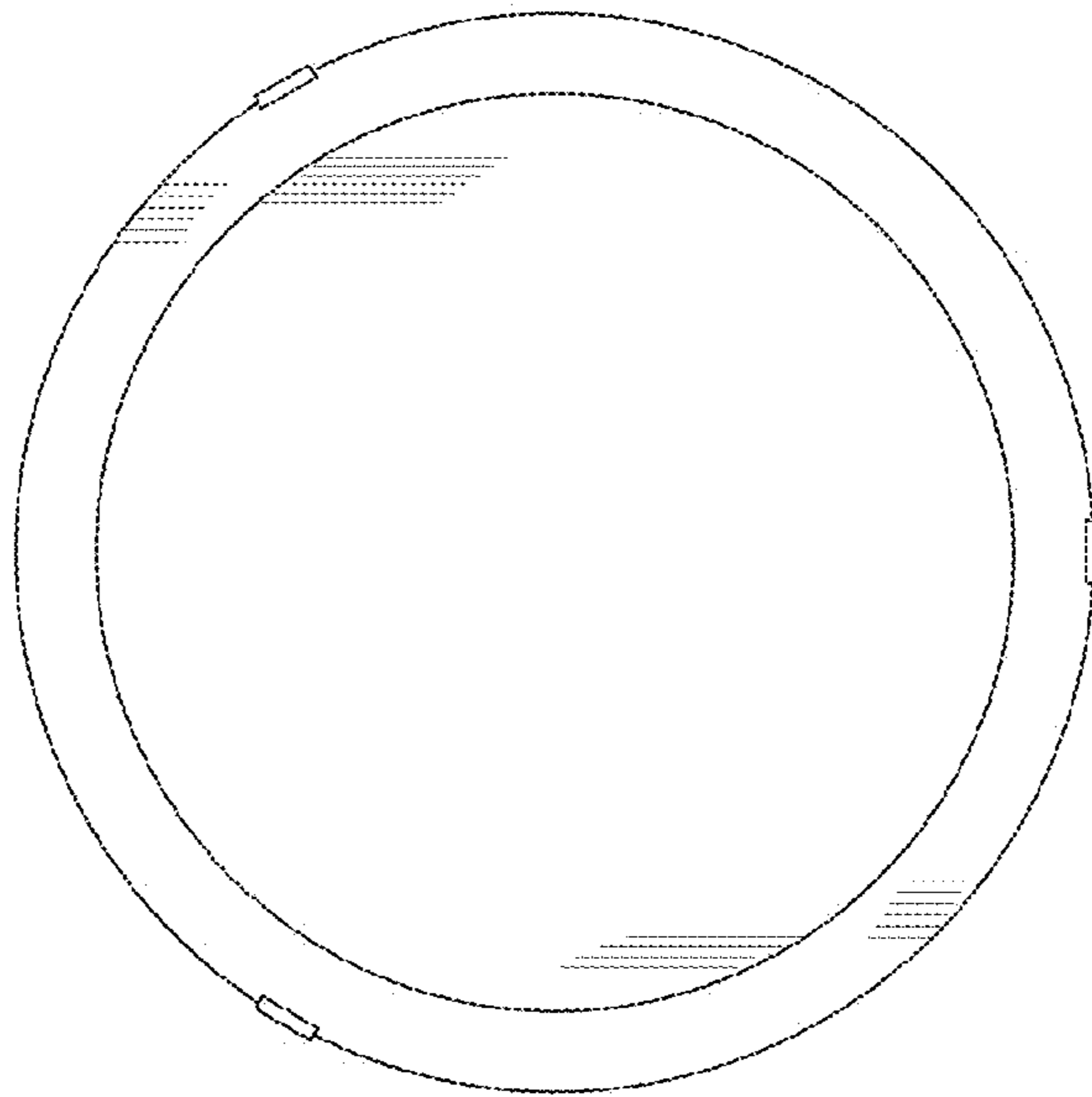


FIG. 7



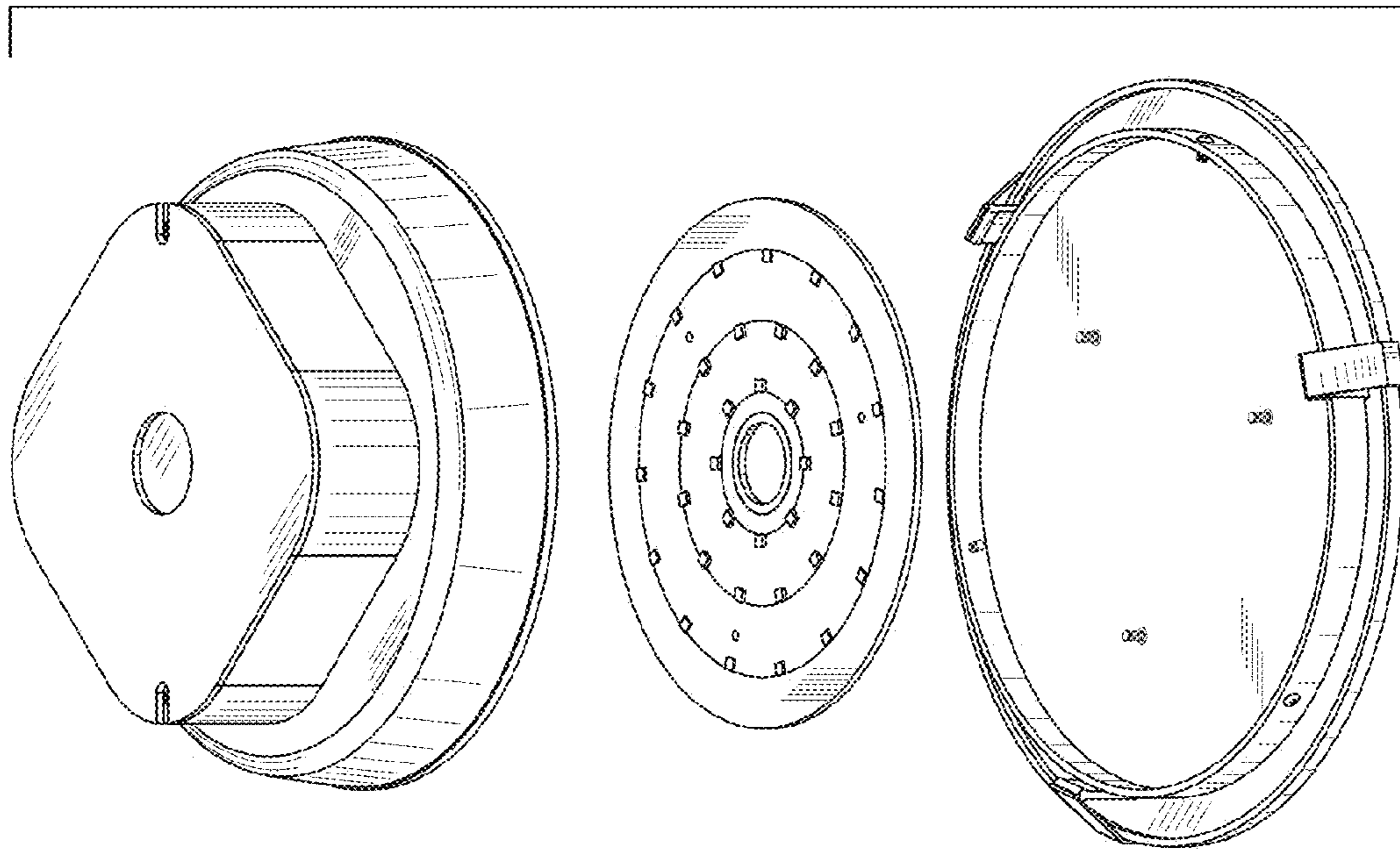


FIG. 8

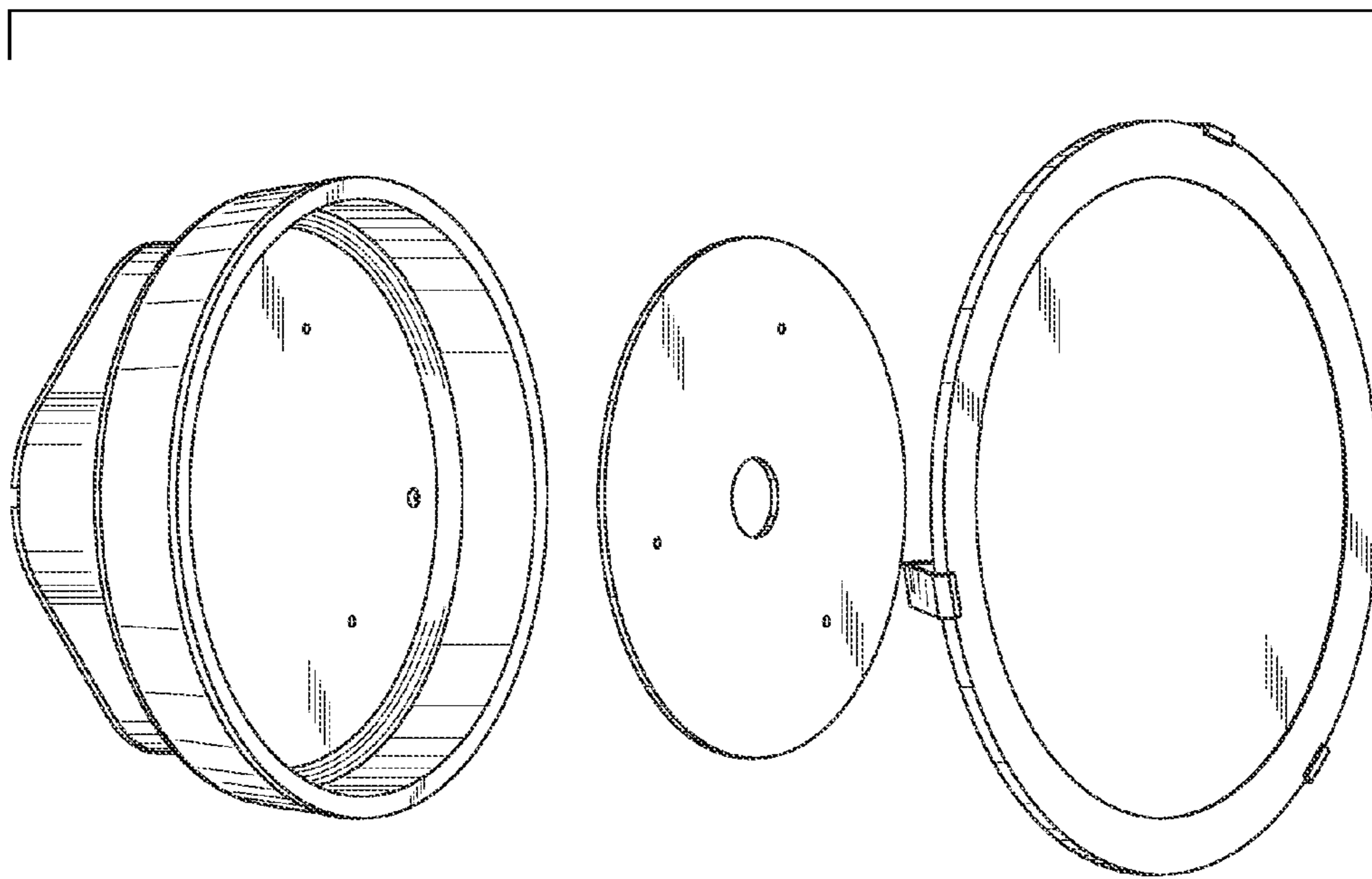


FIG. 9

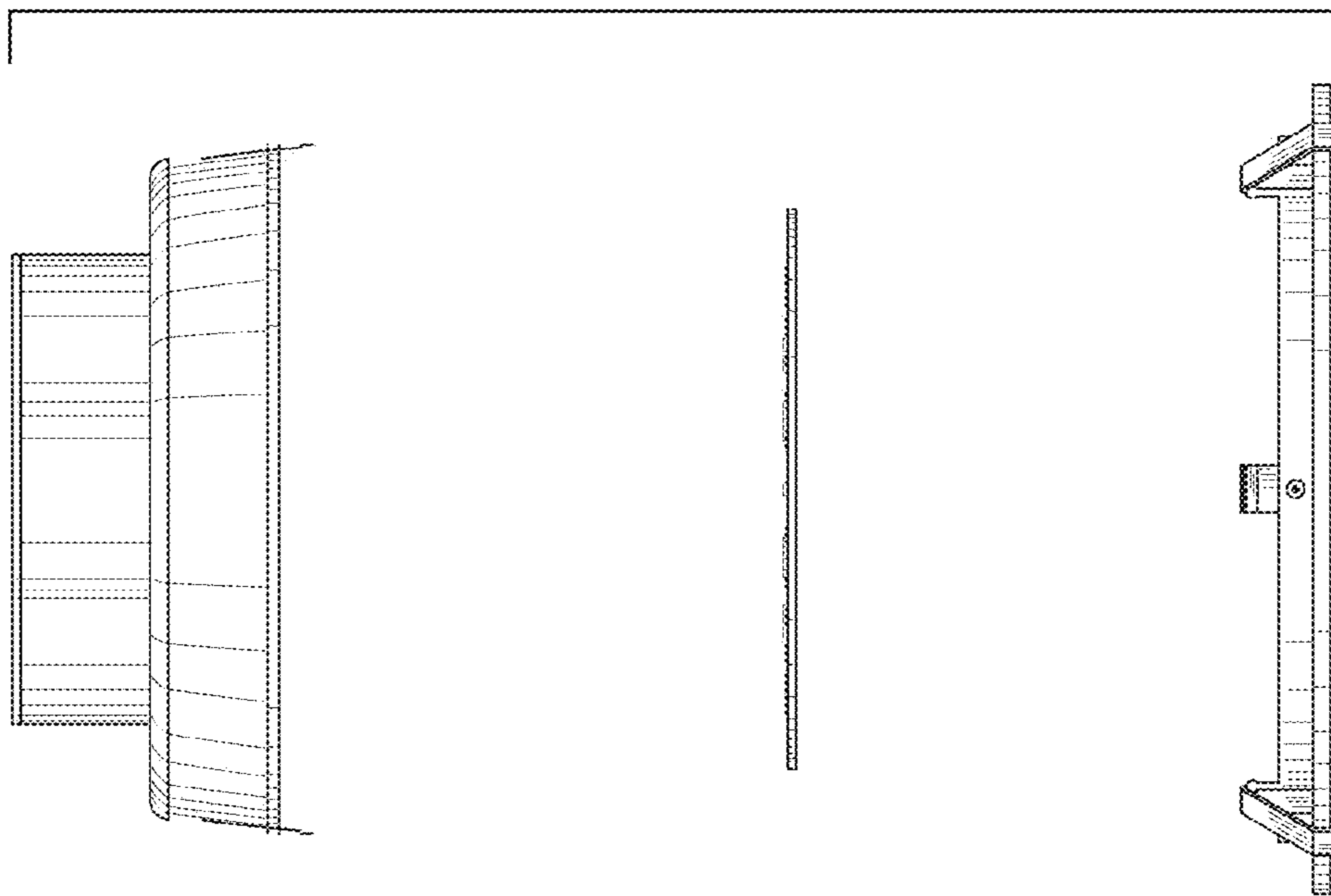


FIG. 10