



US00D738833S

(12) **United States Design Patent**
Quintana

(10) **Patent No.:** **US D738,833 S**

(45) **Date of Patent:** **** Sep. 15, 2015**

(54) **CIRCUIT BOARD CUFFLINK**

(71) Applicant: **QA Trading LLC**, Mountain View, CA (US)

(72) Inventor: **Marco Polo Quintana**, Mountain View, CA (US)

(73) Assignee: **QA Trading LLC**, Mountain View, CA (US)

(**) Term: **14 Years**

(21) Appl. No.: **29/447,927**

(22) Filed: **Mar. 7, 2013**

(51) **LOC (10) Cl.** **13-03**

(52) **U.S. Cl.**
USPC **D13/182**

(58) **Field of Classification Search**
USPC D13/182; D11/213, 222, 226, 227;
174/68.1, 250, 253, 255, 256; 318/567,
318/568.1; 361/600, 601, 718, 719, 720,
361/728, 736, 748, 751, 752, 760, 761,
361/807; 439/55, 65, 68, 69, 76.1, 92, 93,
439/95; 24/102 R, 102 A, 102 E, 102 SL,
24/102 FC, 102 P, 103, 114.11
CPC H05K 3/30; H05K 3/301; H05K 3/303;
H05K 3/34; H05K 3/3405; H05K 3/341;
H05K 3/36; H05K 3/361; H05K 3/363;
H05K 3/40; H05K 7/14; H05K 7/1401;
H05K 7/1402; H05K 7/1422; H05K 1/18;
H05K 1/181; H05K 1/182; H05K 1/183;
H05K 1/184; H05K 1/185; H05K 1/189;
H05K 1/00; A44B 5/00; A44B 5/002; A44B
5/007; A44B 6/00; A44B 7/00; A44B 1/00;
A44B 1/02; A44B 1/18

See application file for complete search history.

(56) **References Cited**

U.S. PATENT DOCUMENTS

1,635,774 A *	7/1927	Abel	24/95
2,896,033 A *	7/1959	Hartz	200/11 D
3,144,692 A *	8/1964	Espino	24/97
D354,720 S *	1/1995	Estes	D11/222
D363,901 S *	11/1995	Le	D11/222
D377,919 S *	2/1997	Singer et al.	D11/226
D397,093 S *	8/1998	Kim	D13/182
D429,704 S *	8/2000	Kang	D13/182
D442,149 S *	5/2001	Kang	D13/182
D442,150 S *	5/2001	Kang	D13/182
D442,567 S *	5/2001	Kang	D13/182
D457,146 S *	5/2002	Yamamoto et al.	D13/182
D459,706 S *	7/2002	Ebihara et al.	D13/182
D466,093 S *	11/2002	Ebihara et al.	D13/182
D474,773 S *	5/2003	Kondo	D14/435
D485,536 S *	1/2004	Dang et al.	D13/182

(Continued)

Primary Examiner — Elizabeth J Oswecki

(74) *Attorney, Agent, or Firm* — Patent Law Works LLP

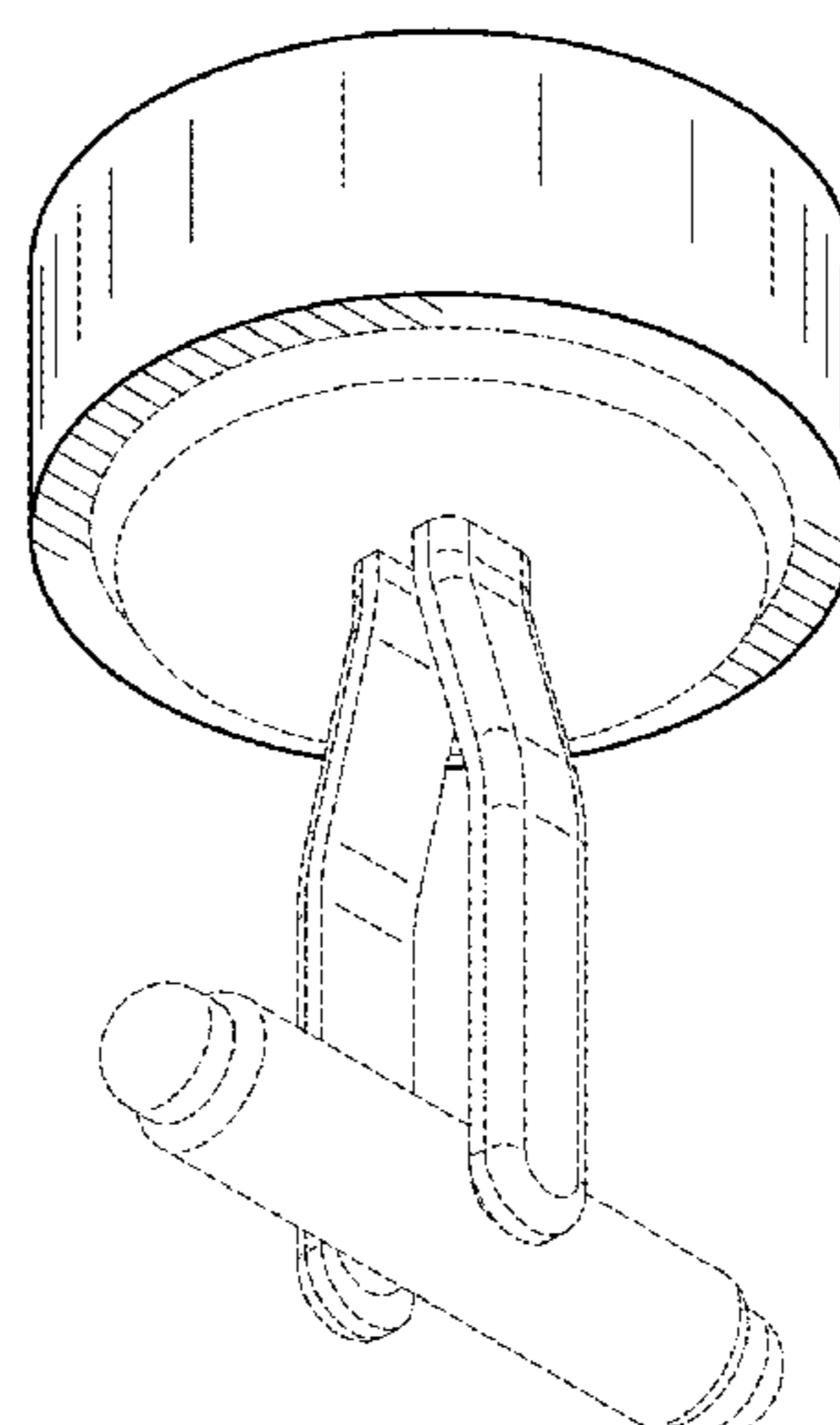
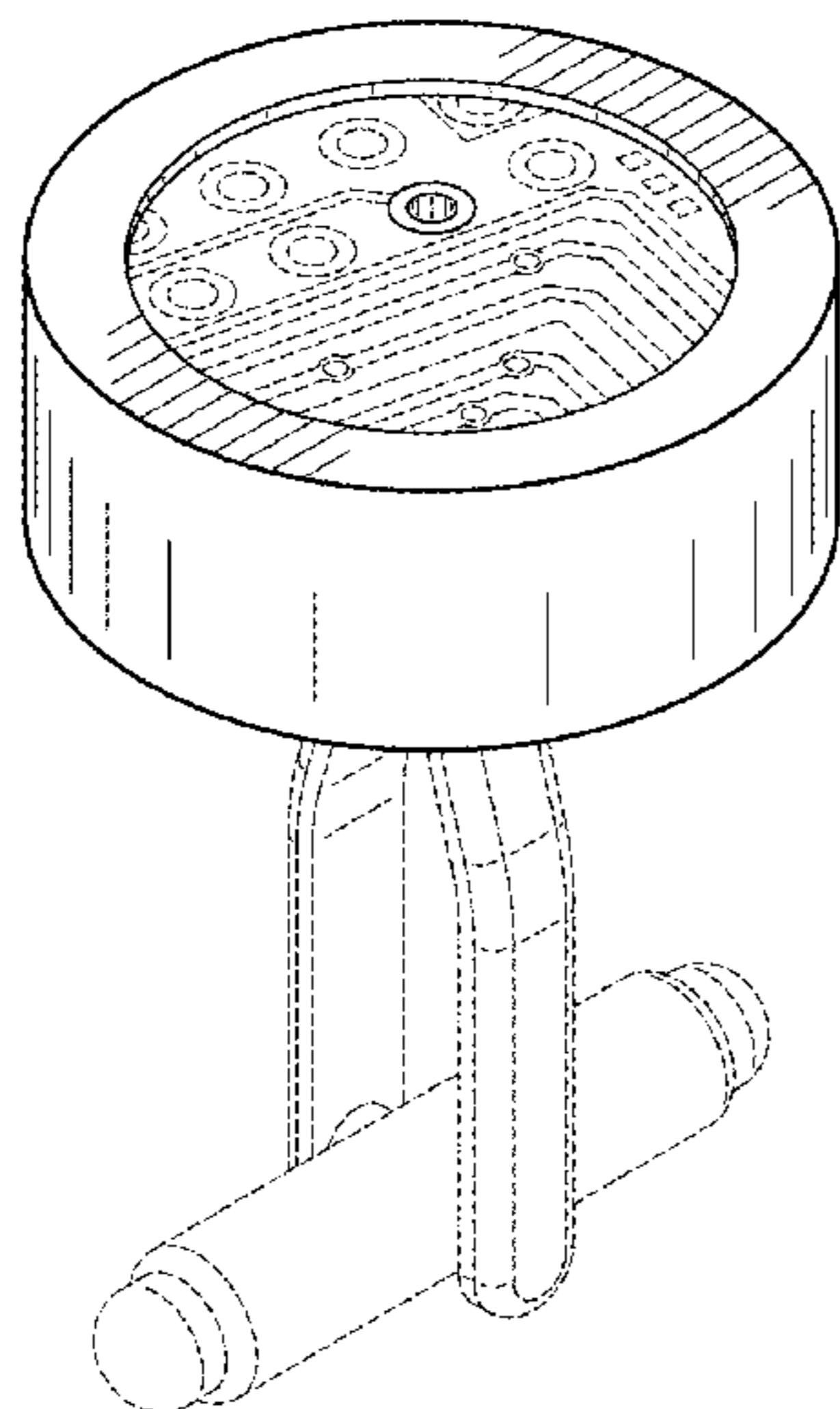
(57) **CLAIM**

The ornamental design for a circuit board cufflink, as shown and described.

DESCRIPTION

FIG. 1 is a top perspective view of a circuit board cufflink showing my new design;
FIG. 2 is a bottom perspective view thereof;
FIG. 3 is a front side elevational view thereof, the rear side elevational view being a mirror image thereof;
FIG. 4 is a right side elevational view thereof, the left side elevational view being a mirror image thereof;
FIG. 5 is a top plan view thereof;
FIG. 6 is a bottom plan view thereof;
FIG. 7 is a perspective view thereof, with the second cufflink in the pair shown in broken lines; and,
FIG. 8 is a perspective view of a cufflink shown in a used condition.
The broken lines in the drawings depict environmental subject matter only and form no part of the claimed design.

1 Claim, 5 Drawing Sheets



(56)

References Cited

U.S. PATENT DOCUMENTS

D547,236 S *	7/2007	Arasheben et al.	D11/222	D617,680 S *	6/2010	Graff	D11/222
D551,117 S *	9/2007	Edocs	D11/222	D639,756 S *	6/2011	Greene, Jr.	D13/182
D552,048 S *	10/2007	He	D13/182	D642,546 S *	8/2011	Greene, Jr.	D13/182
D568,208 S *	5/2008	Edocs	D11/222	D647,072 S *	10/2011	Bentley	D13/182
D578,037 S *	10/2008	Edocs	D11/222	D691,101 S *	10/2013	Ishizawa et al.	D13/182
D592,544 S *	5/2009	Edocs	D11/222	D708,096 S *	7/2014	Lasserre	D11/222
				D720,255 S *	12/2014	Gramatikas	D11/222
				D726,590 S *	4/2015	Riviere	D11/222
				2009/0268390 A1 *	10/2009	King et al.	361/679.33

* cited by examiner

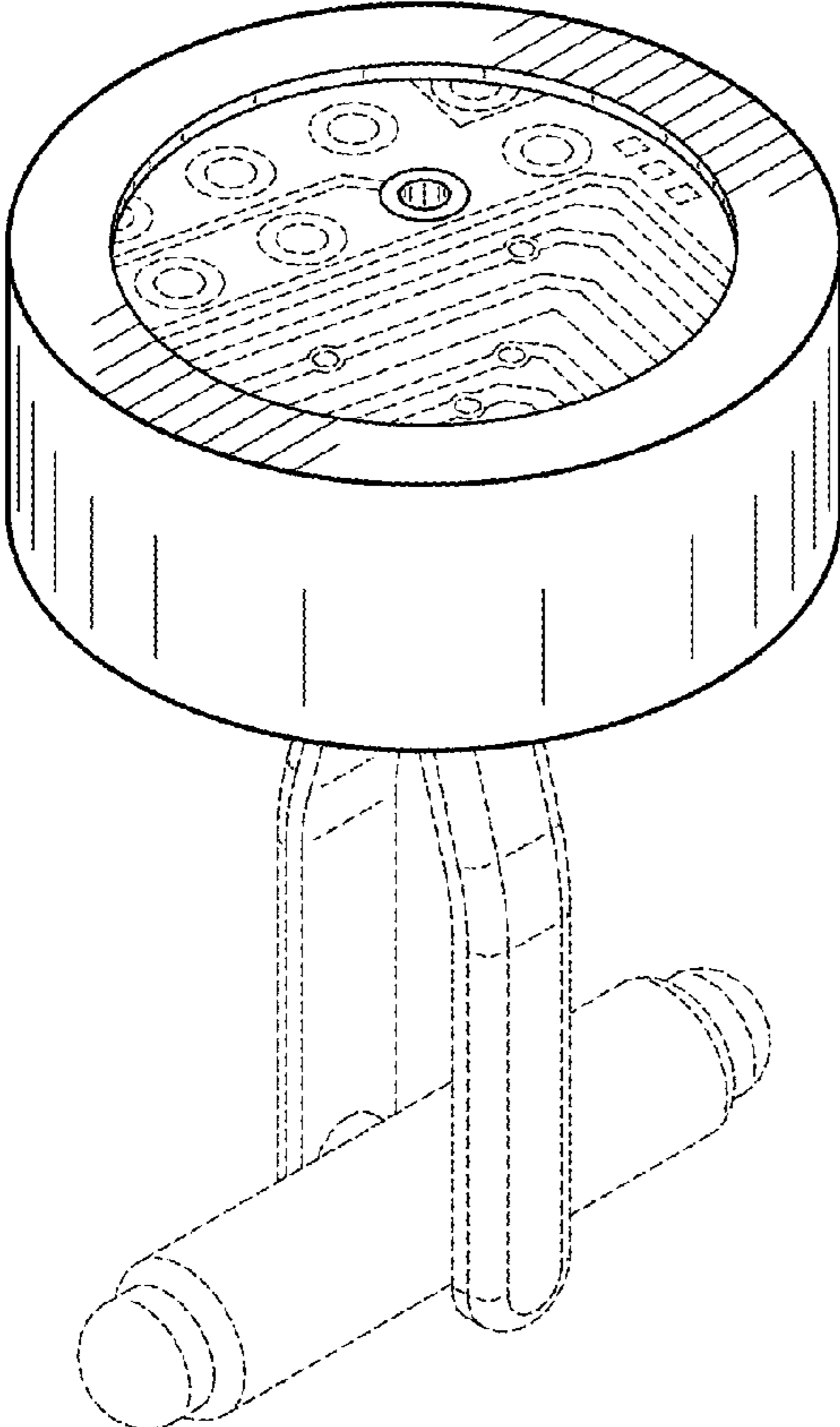


FIG. 1

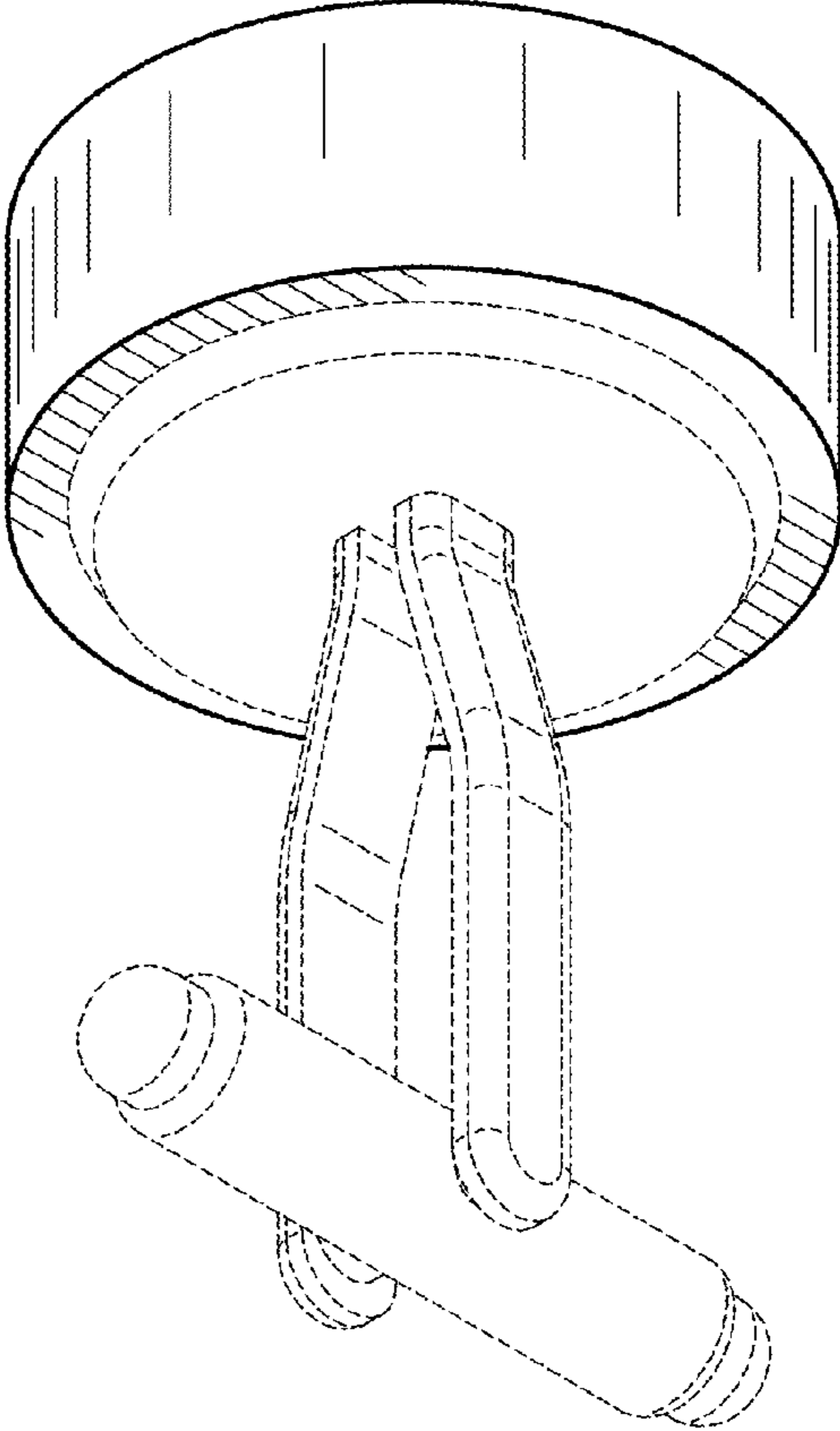


FIG. 2

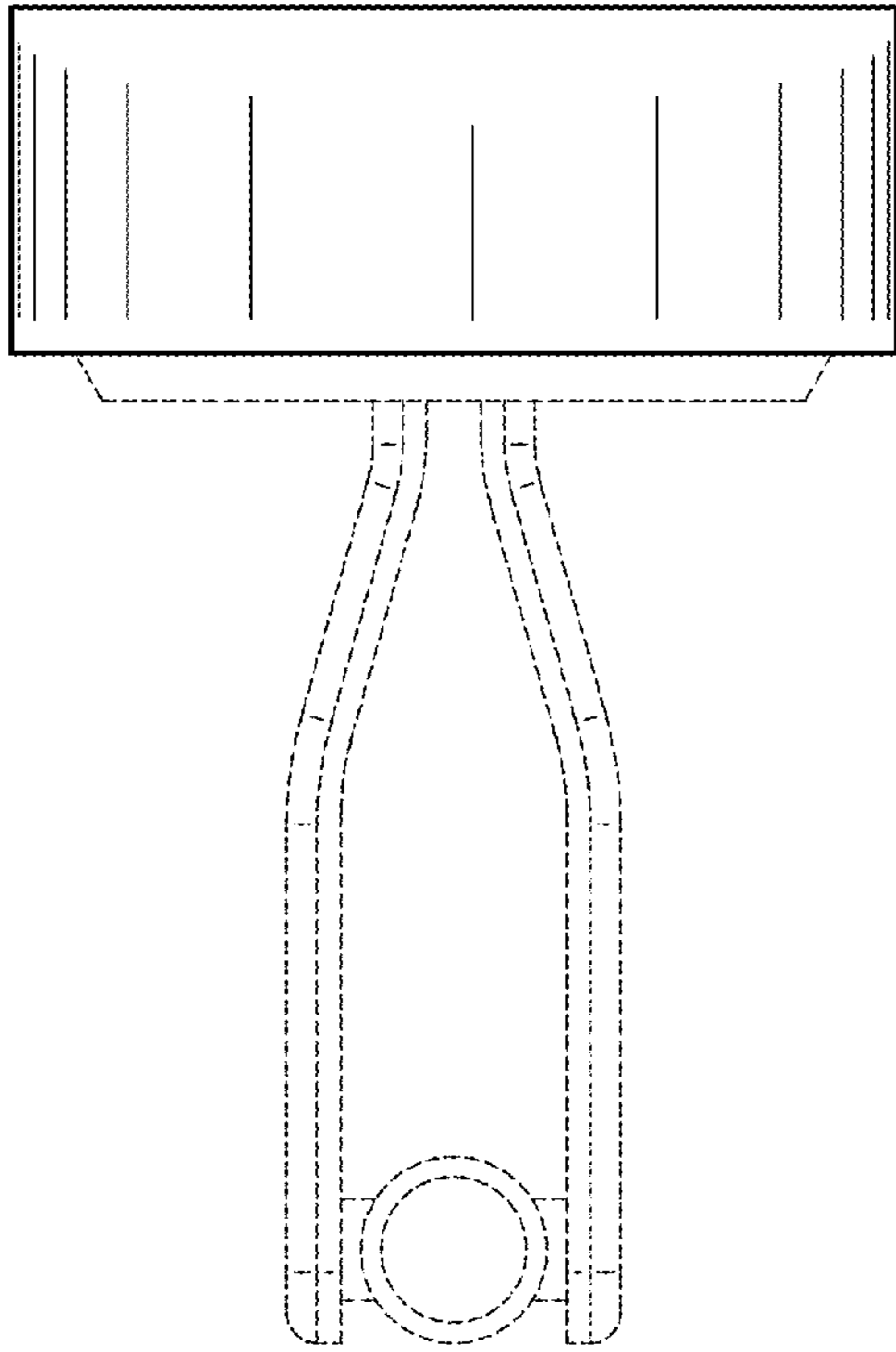


FIG. 3

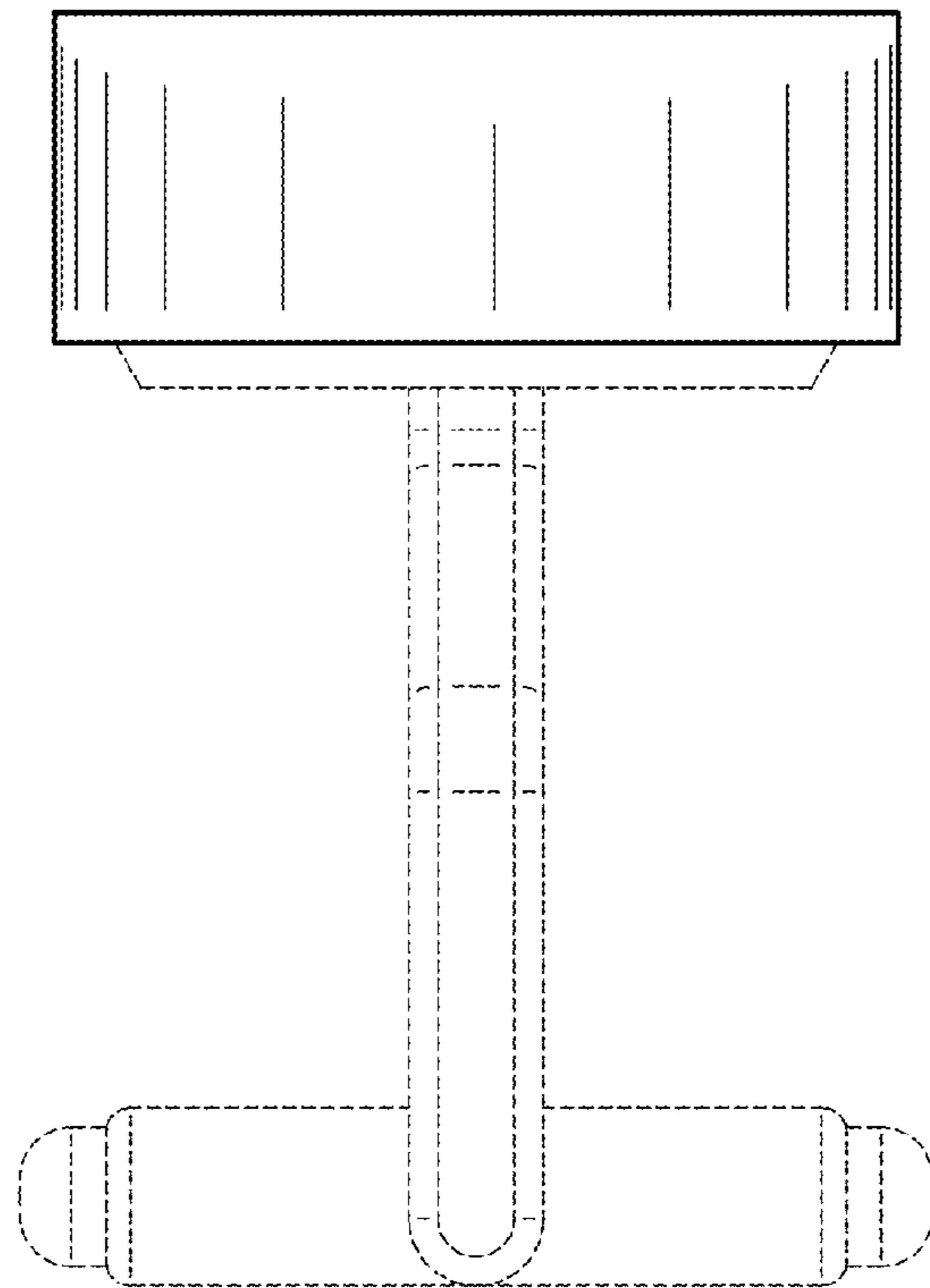


FIG. 4

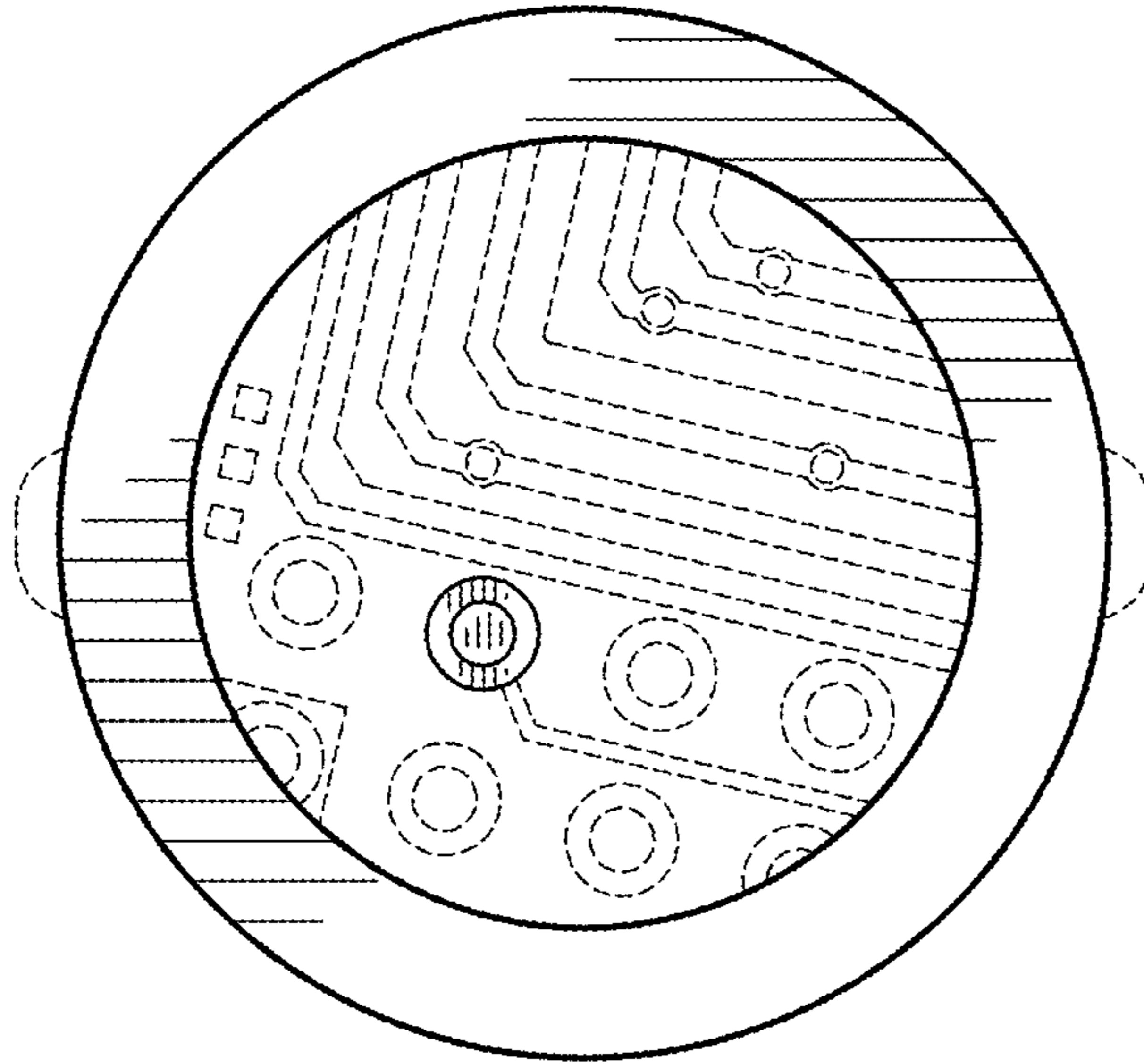


FIG. 5

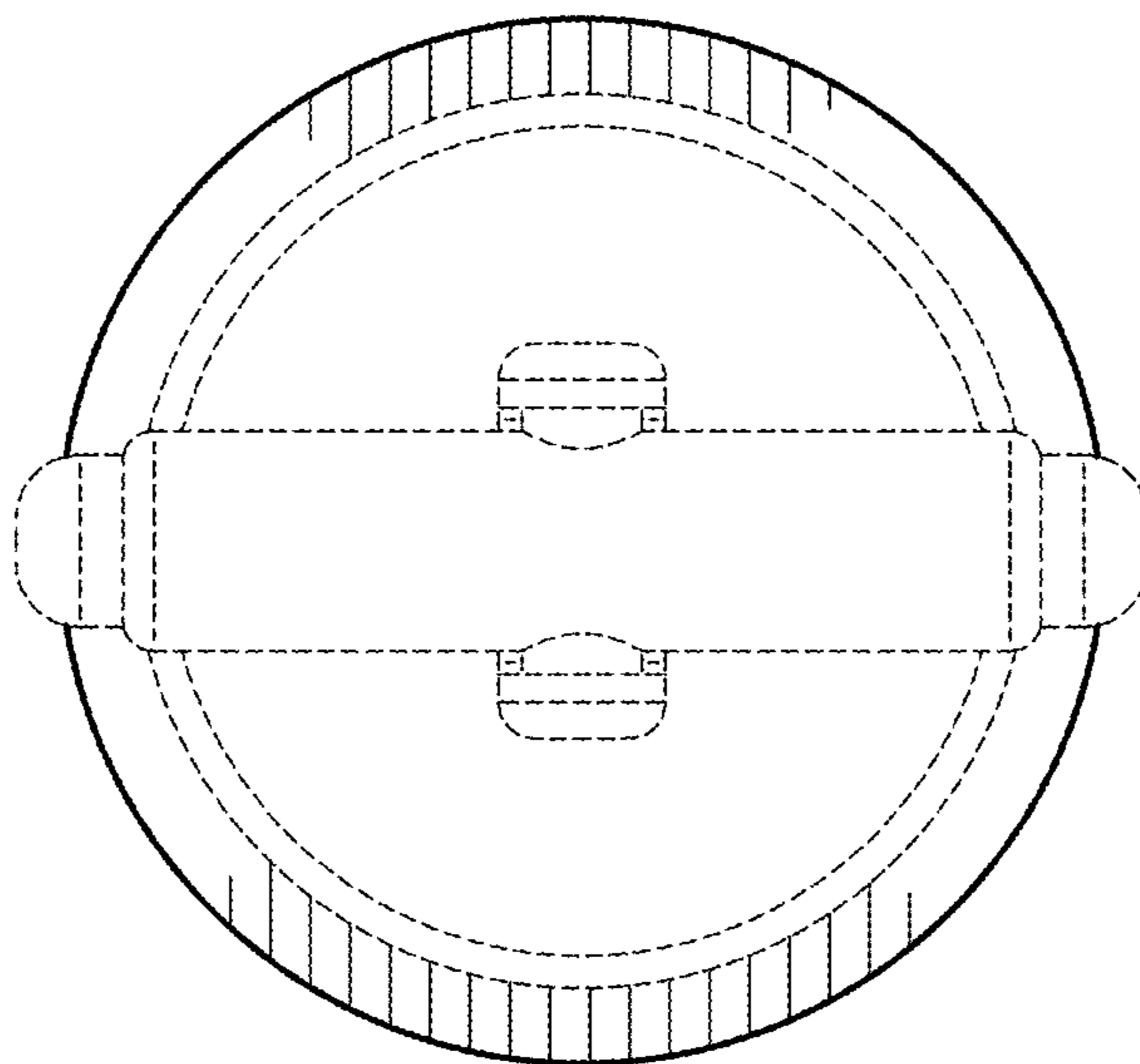


FIG. 6

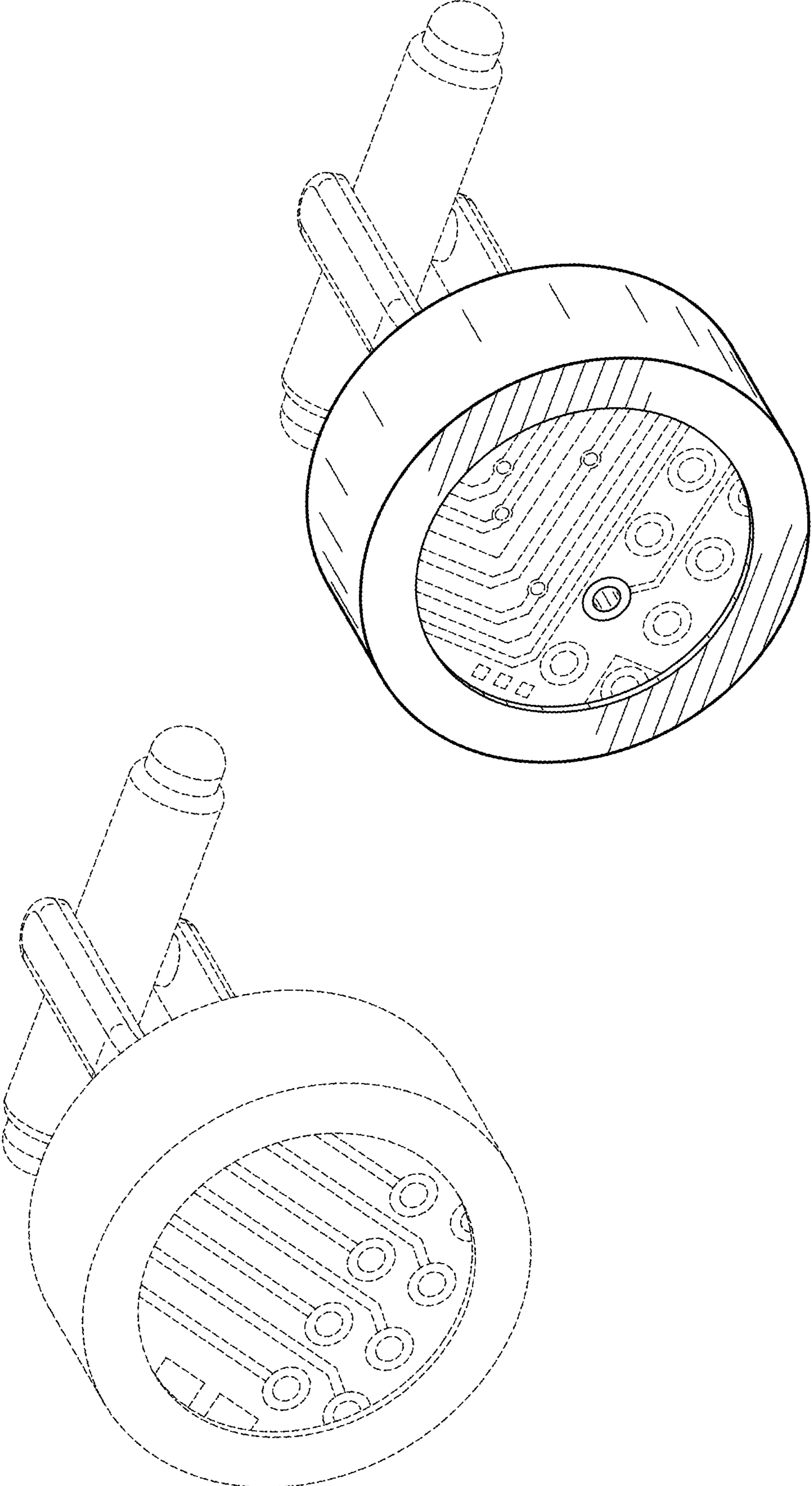


FIG. 7

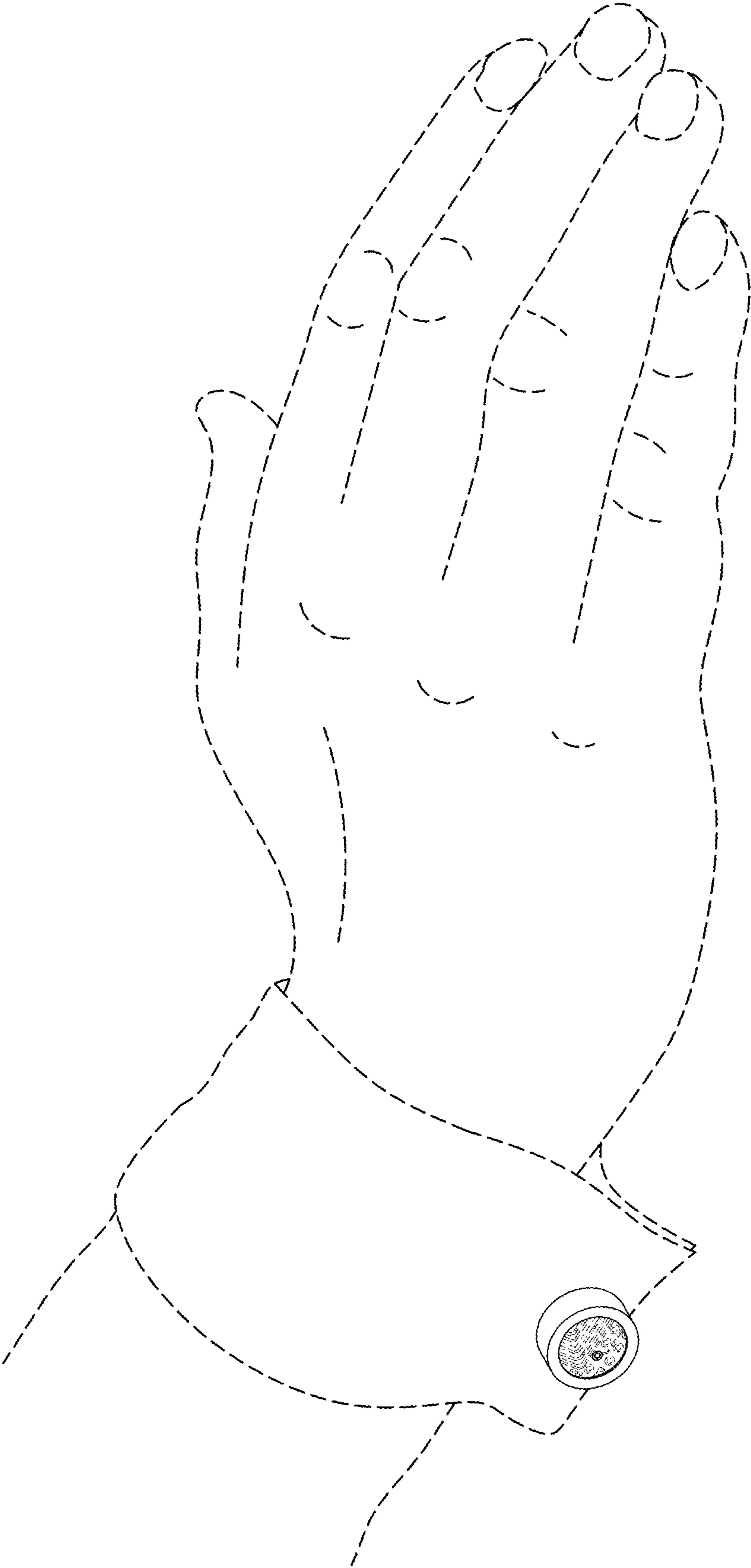


FIG. 8