



US00D738832S

(12) **United States Design Patent**
Hussell et al.

(10) **Patent No.:** **US D738,832 S**
(45) **Date of Patent:** **** Sep. 15, 2015**

(54) **LIGHT EMITTING DIODE (LED) PACKAGE**

(71) Applicant: **CREE, Inc.**, Durham, NC (US)

(72) Inventors: **Christopher P. Hussell**, Cary, NC (US);
Erin R. F. Welch, Chapel Hill, NC (US);
Jesse Colin Reiherzer, Wake Forest, NC (US)

(73) Assignee: **Cree, Inc.**, Durham, NC (US)

(**) Term: **14 Years**

(21) Appl. No.: **29/444,591**

(22) Filed: **Jan. 31, 2013**

Related U.S. Application Data

(63) Continuation-in-part of application No. 11/398,214, filed on Apr. 4, 2006, now Pat. No. 8,969,908.

(51) **LOC (10) Cl.** **13-03**

(52) **U.S. Cl.**
USPC **D13/180**

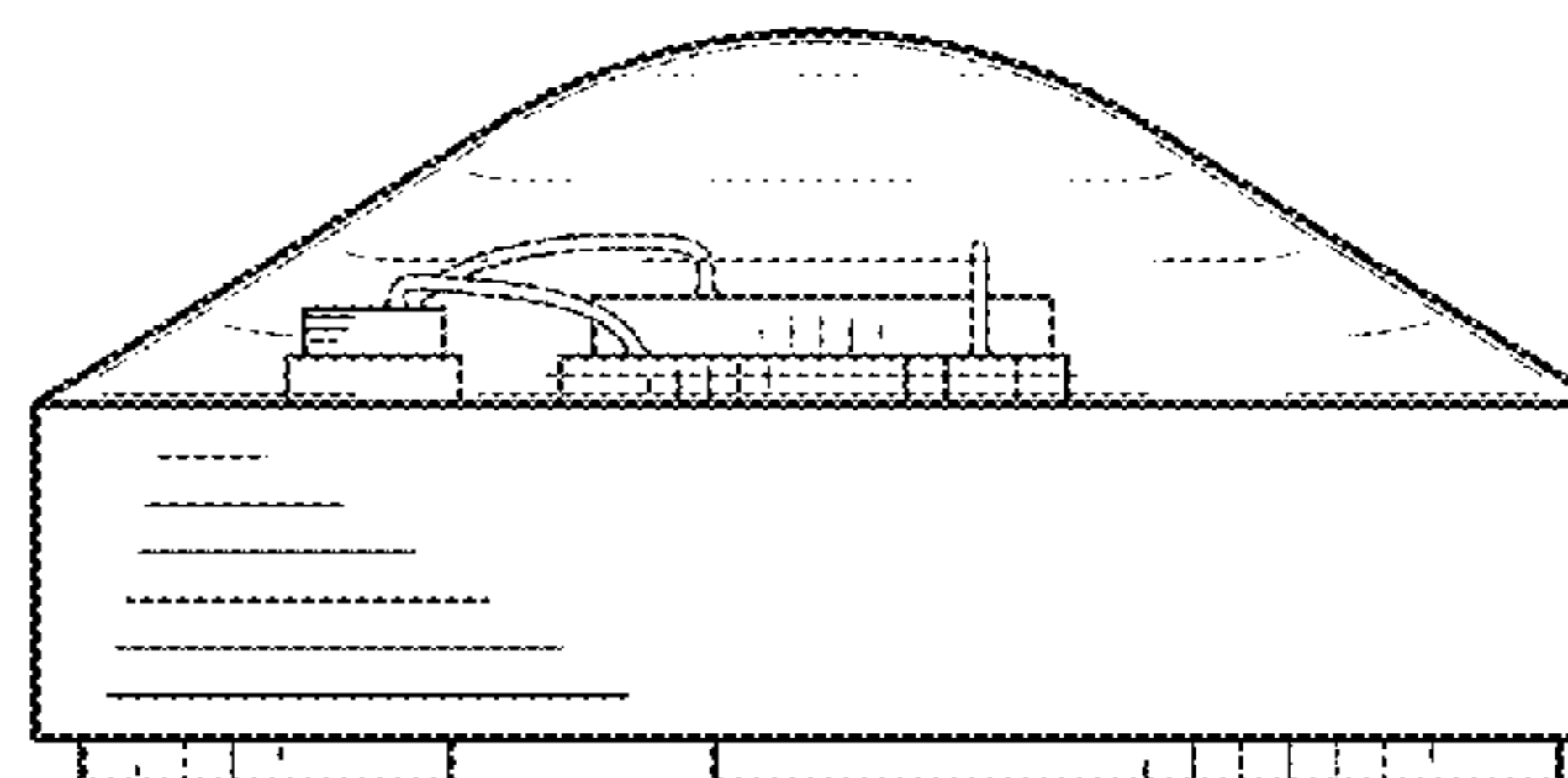
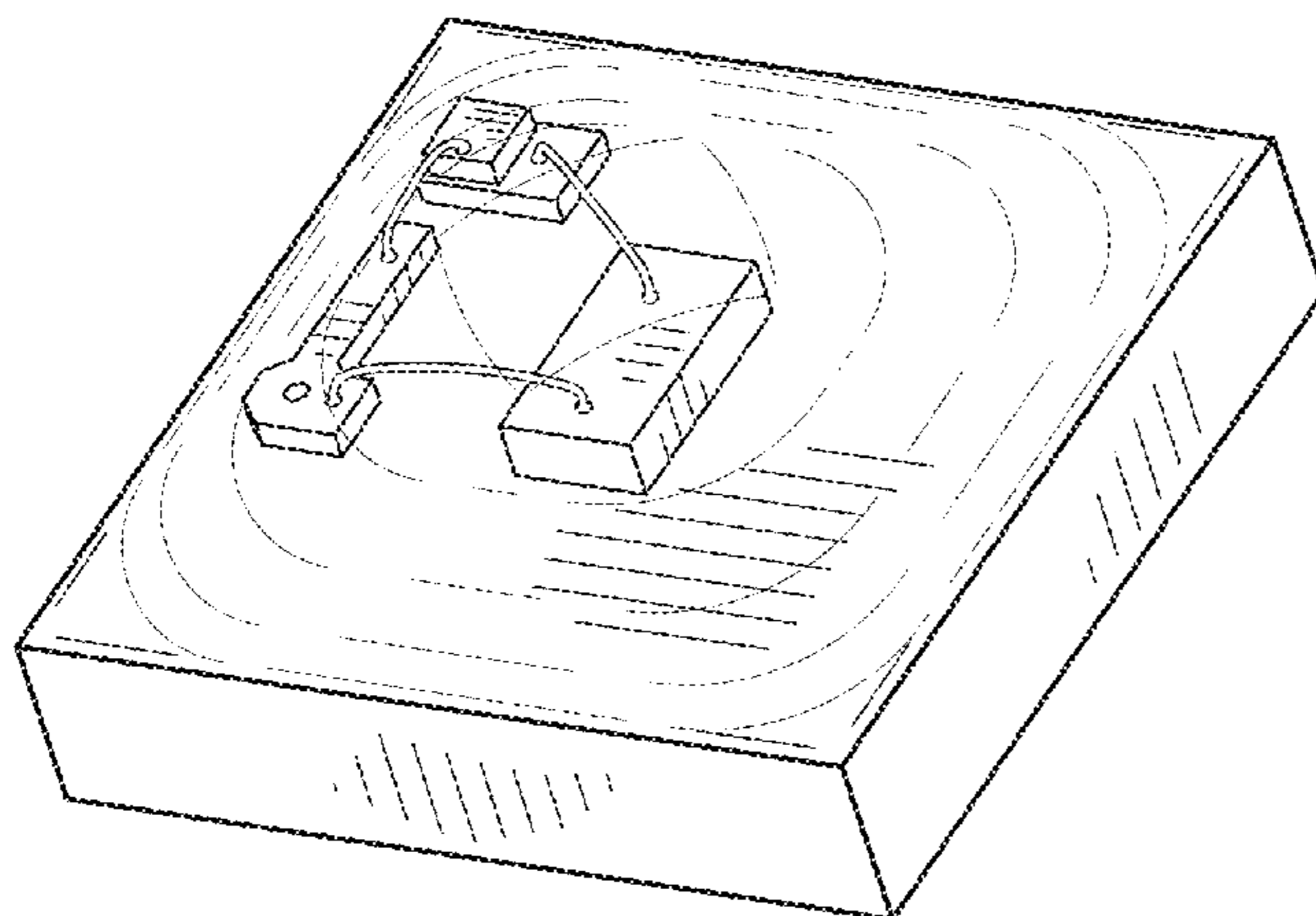
(58) **Field of Classification Search**
USPC D13/180; D26/1; 257/79, 80, 81, 88,
257/89, 95, 98, 99, 100, E33.058; 313/483,
313/498, 500; 362/555, 800
CPC ... H01L 25/167; H01L 25/0753; H01L 27/15;
H01L 27/156; H01L 33/00; H01L 33/04;
H01L 33/08; H01L 33/10; H01L 33/20;
H01L 33/38; H01L 33/42; H01L 33/481;
H01L 33/483; H01L 33/486
See application file for complete search history.

(56) **References Cited**

U.S. PATENT DOCUMENTS

4,946,547 A 8/1990 Palmour
5,200,022 A 4/1993 Kong
RE34,861 E 2/1995 Davis
6,686,609 B1* 2/2004 Sung 257/100
6,936,855 B1 8/2005 Harrah
6,953,255 B2 10/2005 Horiuchi et al.
D511,328 S 11/2005 Wang
7,066,626 B2* 6/2006 Omata 362/257

7,213,940 B1 5/2007 Van De Ven
D572,210 S * 7/2008 Lee D13/180
D615,504 S * 5/2010 Keller et al. D13/180
D615,505 S * 5/2010 Butterworth et al. D13/180
7,791,061 B2 9/2010 Edmond
D628,966 S * 12/2010 Kuwaharada et al. D13/180
D631,020 S * 1/2011 Chuang et al. D13/180
D633,631 S * 3/2011 Shieh et al. D26/1
D637,565 S * 5/2011 Wu et al. D13/180
D642,143 S * 7/2011 Kuwaharada et al. D13/180
D645,416 S * 9/2011 Kuwaharada et al. D13/180
8,058,088 B2 11/2011 Cannon
D649,943 S * 12/2011 Kuwaharada et al. D13/180
D649,944 S * 12/2011 Kuwaharada et al. D13/180
D656,906 S * 4/2012 Leung D13/180
D660,813 S * 5/2012 Otaki et al. D13/180
D662,902 S * 7/2012 Shieh et al. D13/180
D667,802 S * 9/2012 Otaki et al. D13/180
8,267,550 B2* 9/2012 Wang 362/294
D670,010 S * 10/2012 Lin D26/1
D680,504 S * 4/2013 Noichi D13/180
8,563,339 B2 10/2013 Tarsa
D698,323 S * 1/2014 Noichi D13/180
D698,741 S * 2/2014 Kobayashi et al. D13/180
8,748,915 B2* 6/2014 Chan et al. 257/91
D710,810 S * 8/2014 Noichi D13/180
D711,840 S * 8/2014 Lowes et al. D13/180
D718,258 S * 11/2014 Lowes et al. D13/180
D718,725 S * 12/2014 Reiherzer et al. D13/180
2003/0067761 A1 4/2003 Horiuchi et al.
2004/0056265 A1 3/2004 Arndt et al.
2005/0184387 A1 8/2005 Collins et al.
2005/0219835 A1 10/2005 Nagayama
2005/0221519 A1 10/2005 Leung et al.
2006/0012299 A1 1/2006 Suehiro et al.
2006/0113906 A1 6/2006 Ogawa
2006/0157722 A1 7/2006 Takezawa et al.
2006/0220046 A1* 10/2006 Yu et al. 257/98
2007/0228387 A1 10/2007 Negley
2008/0036362 A1 2/2008 Tanimoto et al.
2008/0173884 A1 7/2008 Chitnis
2008/0179611 A1 7/2008 Chitnis
2008/0224608 A1 9/2008 Konishi et al.
2009/0057699 A1 3/2009 Basin et al.
2009/0057901 A1 3/2009 Lin et al.
2009/0108281 A1 4/2009 Keller
2009/0315057 A1 12/2009 Konishi et al.
2010/0155763 A1 6/2010 Donofrio
2010/0212942 A1 8/2010 Tuan et al.
2010/0252851 A1 10/2010 Emerson
2010/0301367 A1 12/2010 Nakamura et al.
2011/0018017 A1 1/2011 Bierhuizen et al.
2011/0062471 A1* 3/2011 Bierhuizen et al. 257/98



2011/0079801	A1	4/2011	Zhang et al.	
2011/0089465	A1	4/2011	Lin et al.	
2011/0220929	A1*	9/2011	Collins et al.	257/98
2011/0273079	A1	11/2011	Pickard et al.	
2011/0309396	A1*	12/2011	Wang et al.	257/98
2012/0299022	A1	11/2012	Hussell	
2012/0305949	A1	12/2012	Donofrio	
2013/0087822	A1*	4/2013	Kim	257/98
2013/0099265	A1*	4/2013	Hwang	257/98
2013/0193468	A1	8/2013	Hussell	
2013/0256711	A1	10/2013	Joo	
2013/0270592	A1	10/2013	Reiherzer	
2013/0279169	A1	10/2013	Reiherzer	
2014/0291715	A1*	10/2014	Reiherzer et al.	257/98

FOREIGN PATENT DOCUMENTS

CN	ZL 201330359083.X	5/2014
JP	2000-022218	1/2000
JP	2001-160630	6/2001
JP	2006-093435	4/2006
JP	2007-189006	7/2007
JP	D140389	5/2011
KR	10-0829910	5/2008
KR	2009-146935	7/2009
KR	10-0933920	12/2009
KR	10-2010-0008509	1/2010
KR	10-2011-0111941	10/2011
TW	D140389	5/2011
TW	D162119	8/2014
WO	WO 2013/148823	10/2013
WO	WO 2013/148826	10/2013
WO	WO 2014/120256	8/2014

OTHER PUBLICATIONS

U.S. Appl. No. 13/607,217 dated Sep. 7, 2012.
 International Search Report and Written Opinion for Application No. PCT/US2013/034084 dated Jul. 25, 2013.
 International Search Report and Written Opinion for Application No. PCT/US2013/034087 dated Jul. 25, 2013.
 International Search Report and Written Opinion for Application No. PCT/US2013/035411 dated Oct. 15, 2013.
 Chinese Correction of Deficiencies for Application No. 201330359083.X dated Nov. 5, 2013.
 Taiwanese Office Action and Search Report for Application No. 102302923 dated Dec. 30, 2013.
 Non-Final Office Action for Application No. 13/755,993 dated Nov. 5, 2014.
 Chinese Notice of Grant for Application No. 201330359083.X dated Jan. 26, 2014.
 Taiwanese Notice of Allowance for Application No. 102302923 dated Apr. 7, 2014.
 Restriction Requirement for U.S. Appl. No. 13/800,284 dated Mar. 31, 2014.
 Non-Final Office Action for U.S. Appl. No. 13/800,284 dated Jun. 30, 2014.
 Restriction Requirement for U.S. Appl. No. 13/755,993 dated Jul. 10, 2014.
 Restriction Requirement for U.S. Appl. No. 13/834,195 dated Jul. 21, 2014.

* cited by examiner

Primary Examiner — Selina Sikder
 (74) Attorney, Agent, or Firm — Jenkins, Wilson, Taylor & Hunt, P.A.

(57) **CLAIM**
 The ornamental design for a light emitting diode (LED) package, as shown and described.

DESCRIPTION

FIG. 1 is a top perspective view of a light emitting diode (LED) package showing our design according to one embodiment;
 FIG. 2 is a bottom perspective view thereof, opposite the view of FIG. 1;
 FIG. 3 is a top plan view thereof;
 FIG. 4 is a bottom plan view thereof, opposite the view of FIG. 3;
 FIG. 5 is a first side view thereof;
 FIG. 6 is a second side view thereof, opposite the view of FIG. 5;
 FIG. 7 is a third side view thereof;
 FIG. 8 is a fourth side view thereof, opposite the view of FIG. 7;
 FIG. 9 is a top perspective view of a light emitting diode (LED) package showing our design according to a second embodiment;
 FIG. 10 is a bottom perspective view thereof, opposite the view of FIG. 9;
 FIG. 11 is a top plan view thereof;
 FIG. 12 is a bottom plan view thereof, opposite the view of FIG. 11;
 FIG. 13 is a first side view thereof;
 FIG. 14 is a second side view thereof, opposite the view of FIG. 13;
 FIG. 15 is a third side view thereof;
 FIG. 16 is a fourth side view thereof, opposite the view of FIG. 15;
 FIG. 17 is a top perspective view of a light emitting diode (LED) package showing our design according to a third embodiment;
 FIG. 18 is a bottom perspective view thereof, opposite the view of FIG. 17;
 FIG. 19 is a top plan view thereof;
 FIG. 20 is a bottom plan view thereof, opposite the view of FIG. 19;
 FIG. 21 is a first side view thereof;
 FIG. 22 is a second side view thereof, opposite the view of FIG. 21;
 FIG. 23 is a third side view thereof;
 FIG. 24 is a fourth side view thereof, opposite the view of FIG. 23;
 FIG. 25 is a top perspective view of a light emitting diode (LED) package showing our design according to a fourth embodiment;
 FIG. 26 is a bottom perspective view thereof, opposite the view of FIG. 25;
 FIG. 27 is a top plan view thereof;
 FIG. 28 is a bottom plan view thereof, opposite the view of FIG. 27;
 FIG. 29 is a first side view thereof;
 FIG. 30 is a second side view thereof, opposite the view of FIG. 29;
 FIG. 31 is a third side view thereof; and,
 FIG. 32 is a fourth side view thereof, opposite the view of FIG. 31.
 The uniformly broken lines are for illustrative purposes only and form no part of the claimed design.
 The dot-dash-dot broken lines (e.g., in FIG. 17) represent boundaries of the claimed design and form no part of the claimed design.

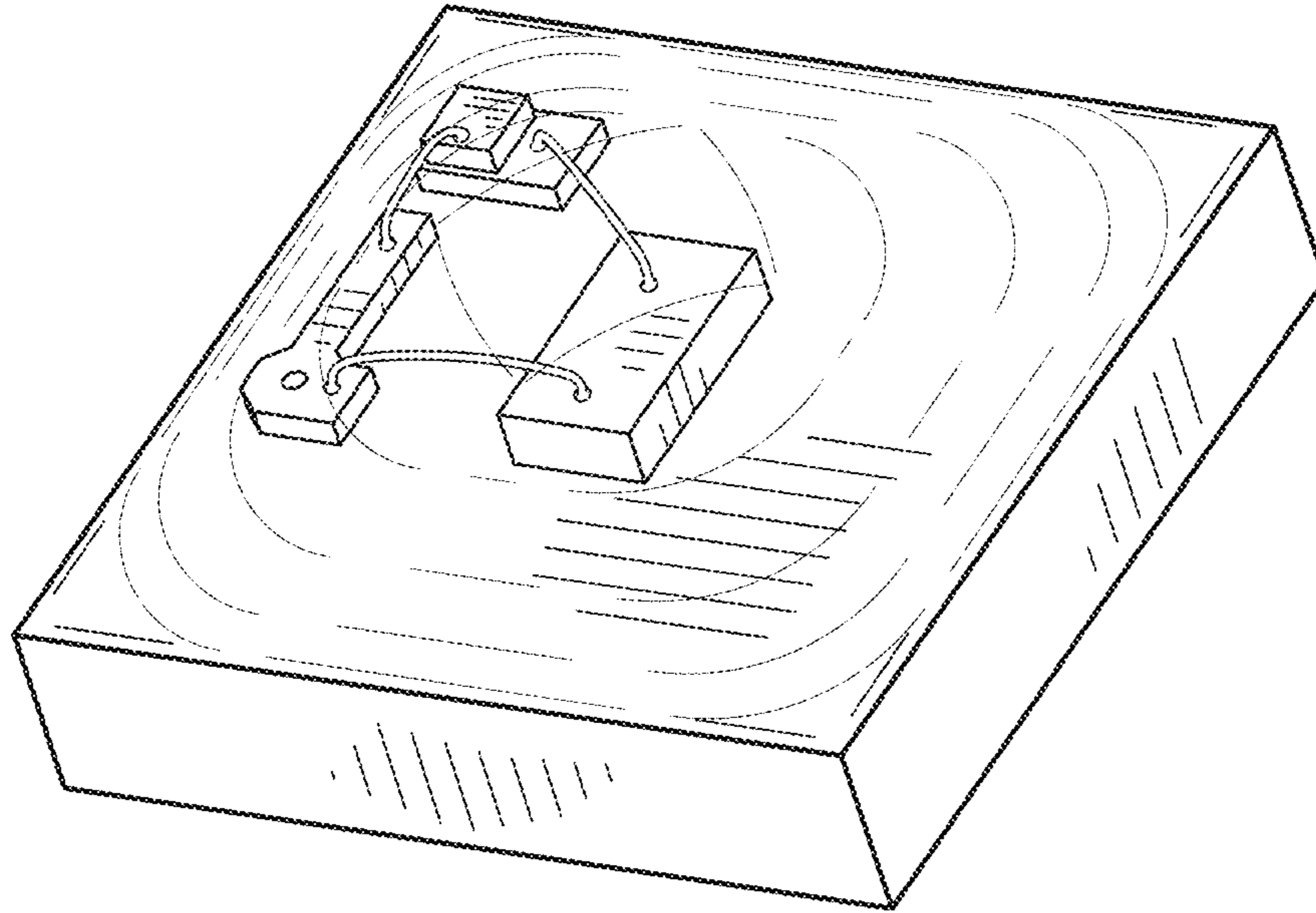


FIG. 1

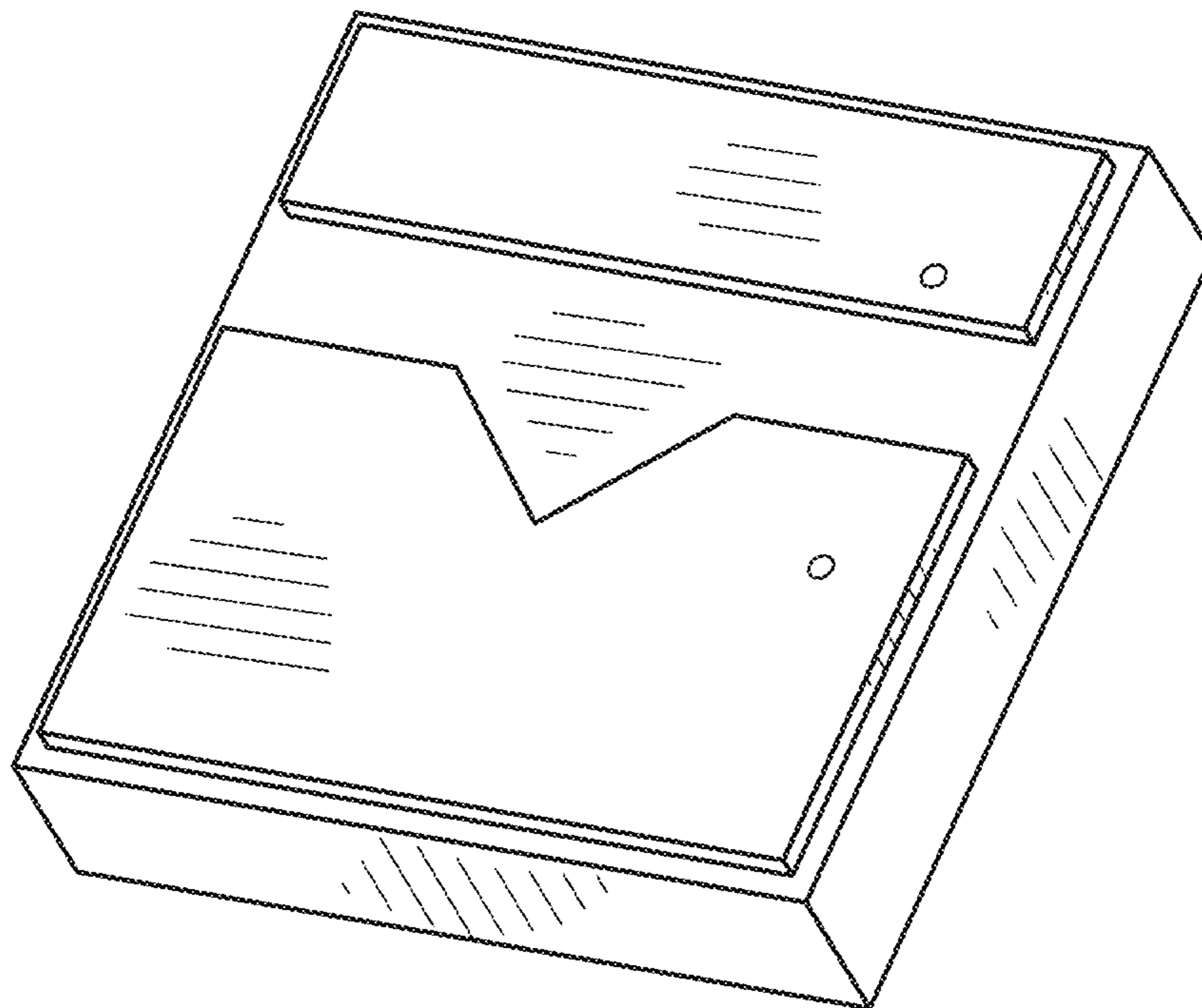


FIG. 2

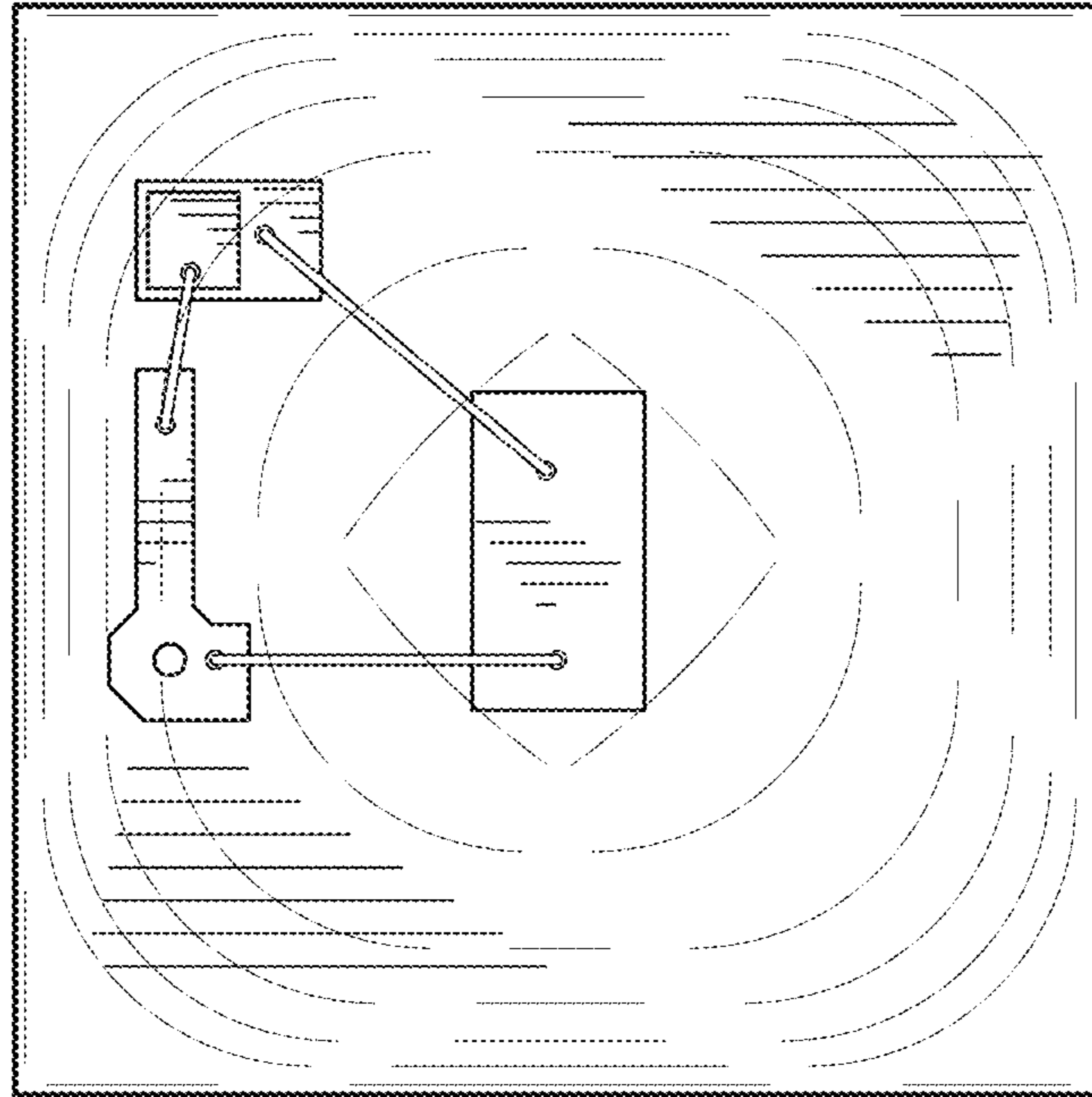


FIG. 3

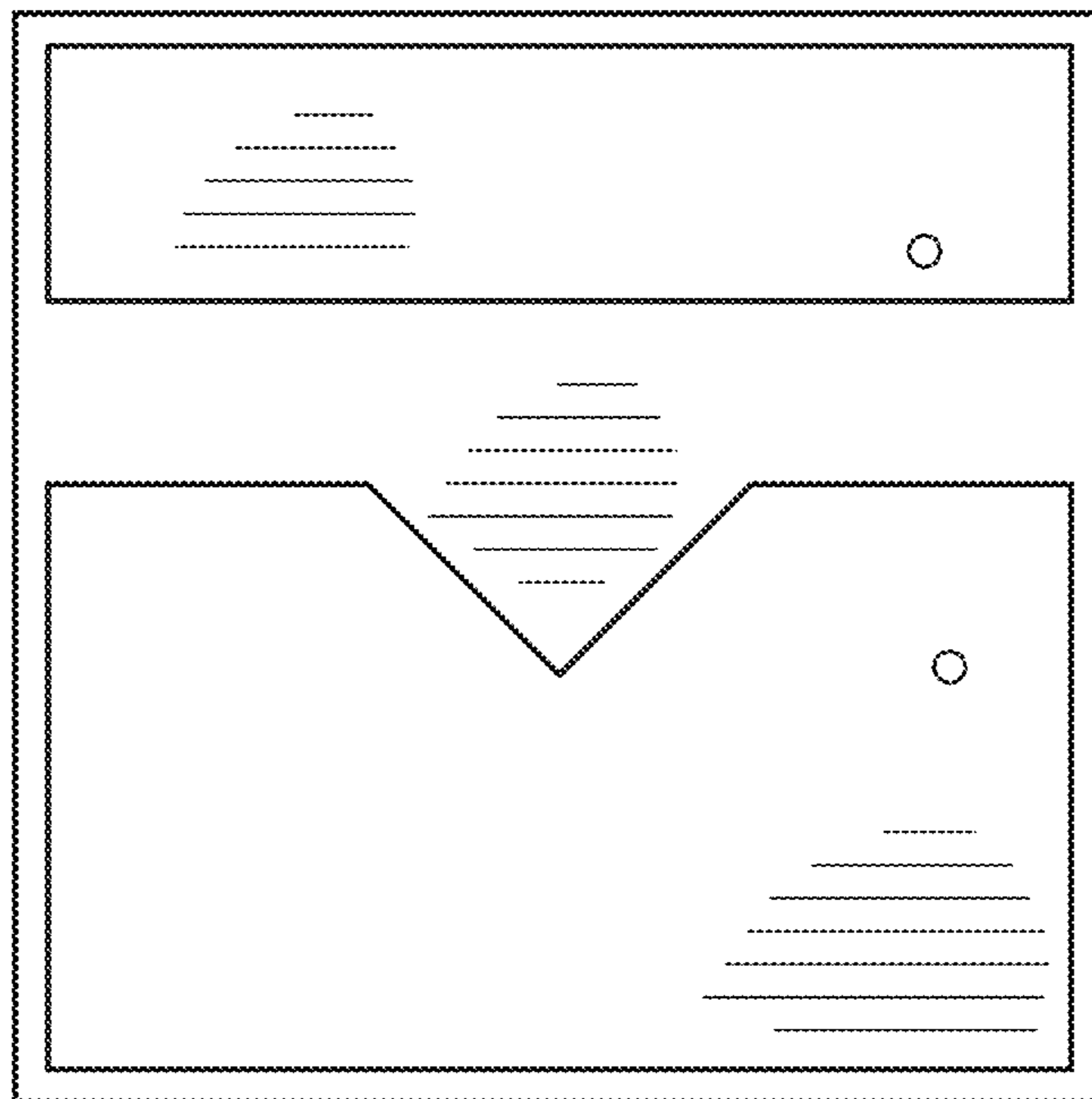


FIG. 4

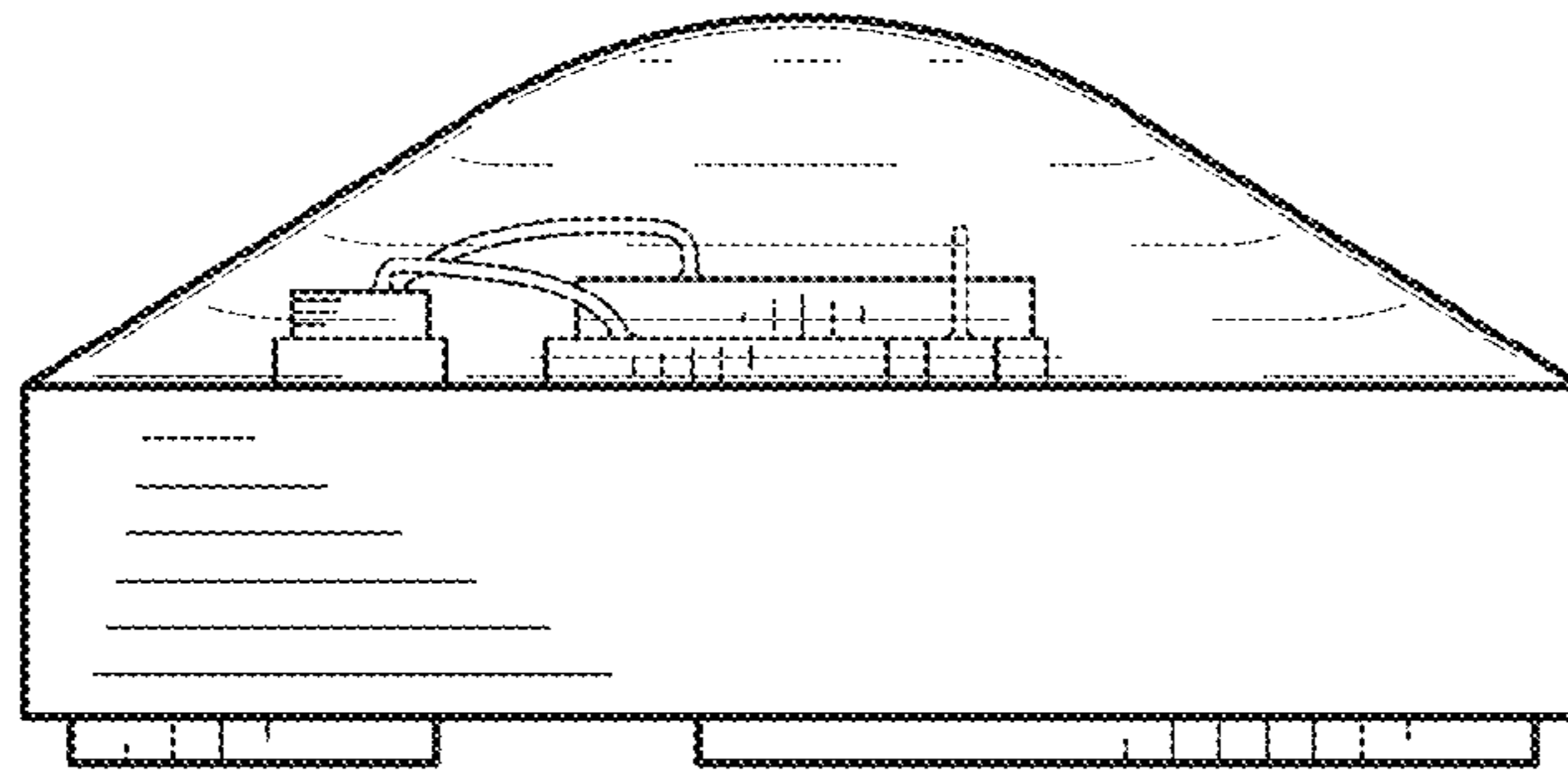


FIG. 5

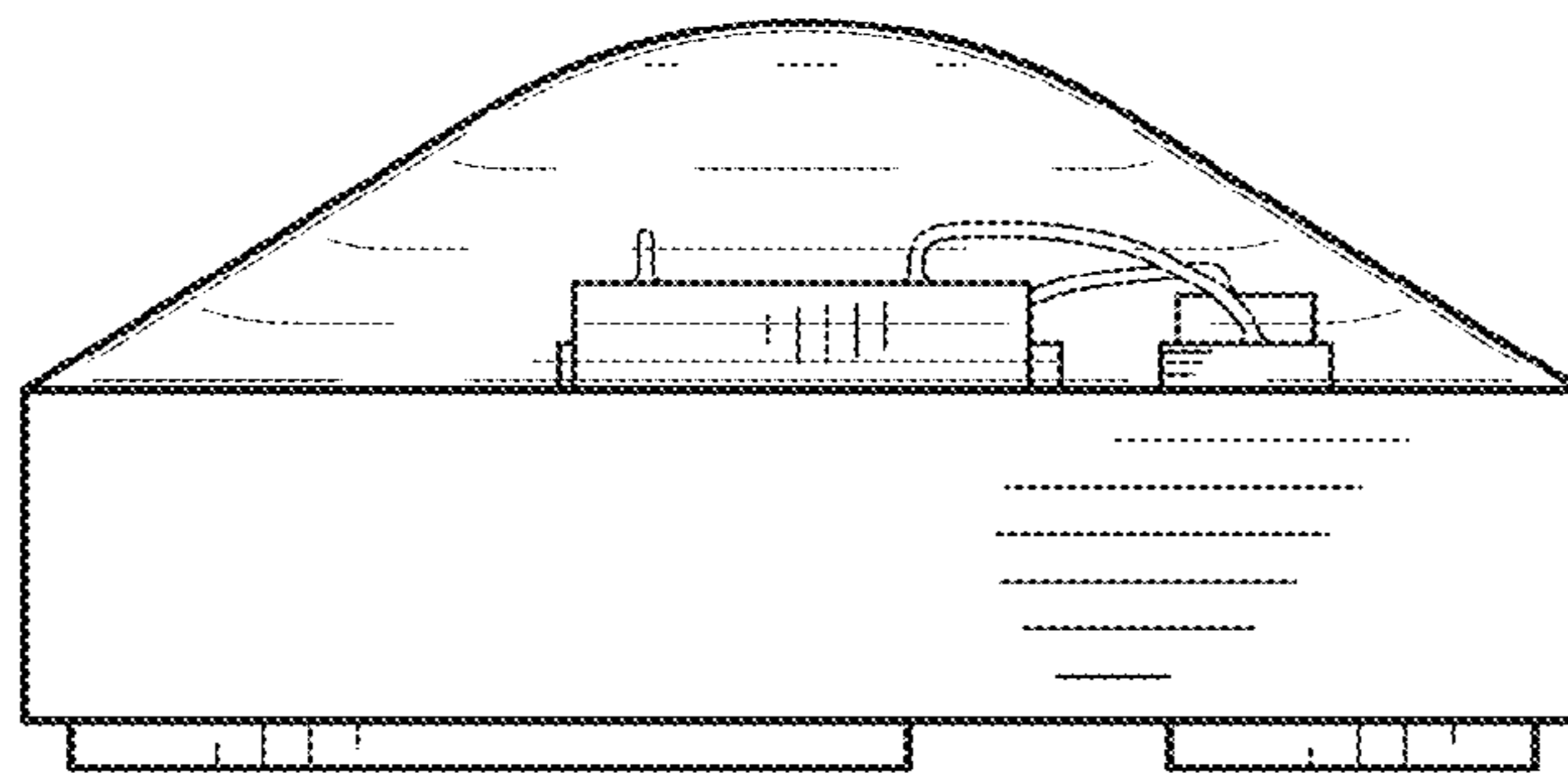


FIG. 6

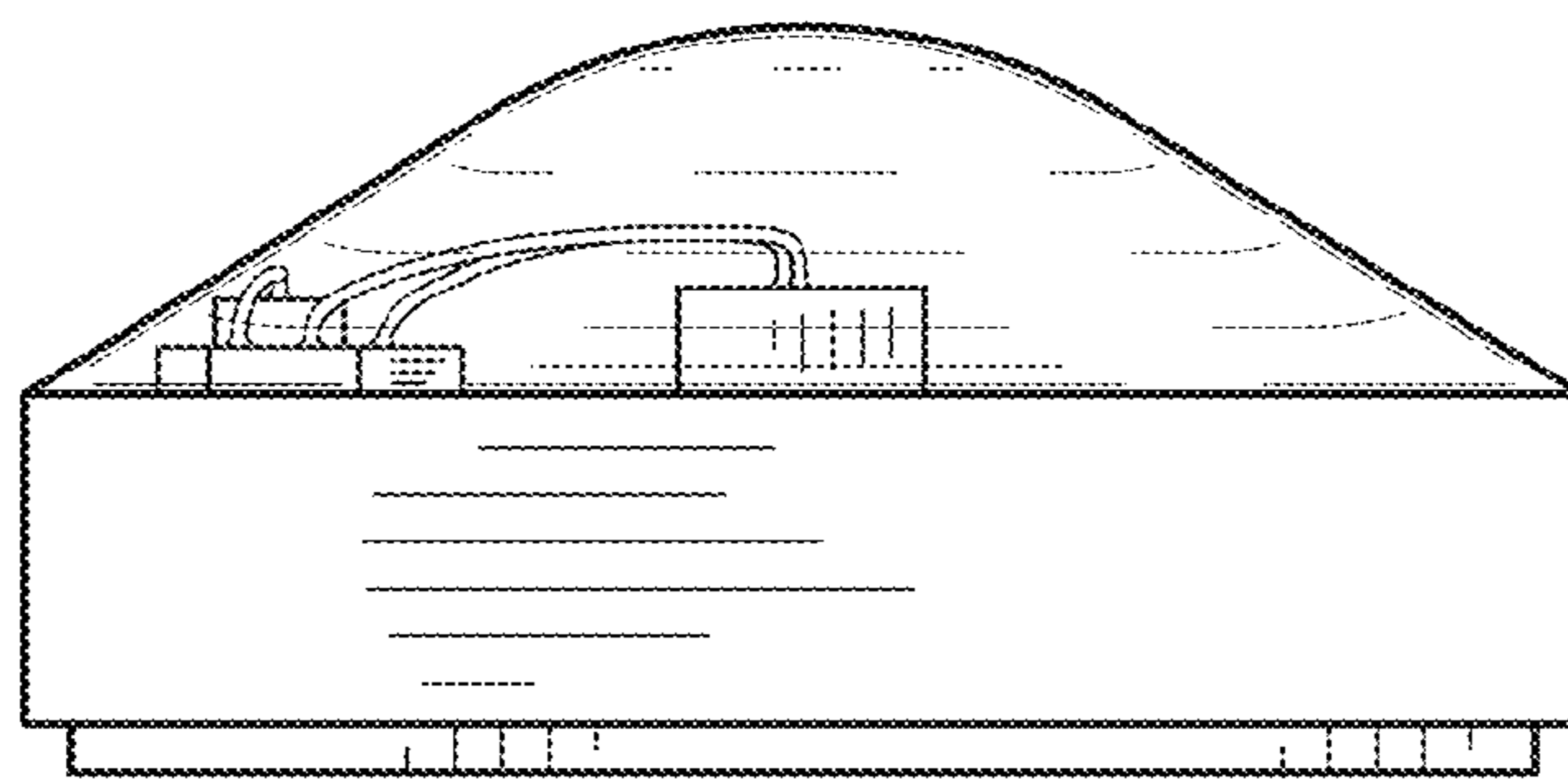


FIG. 7

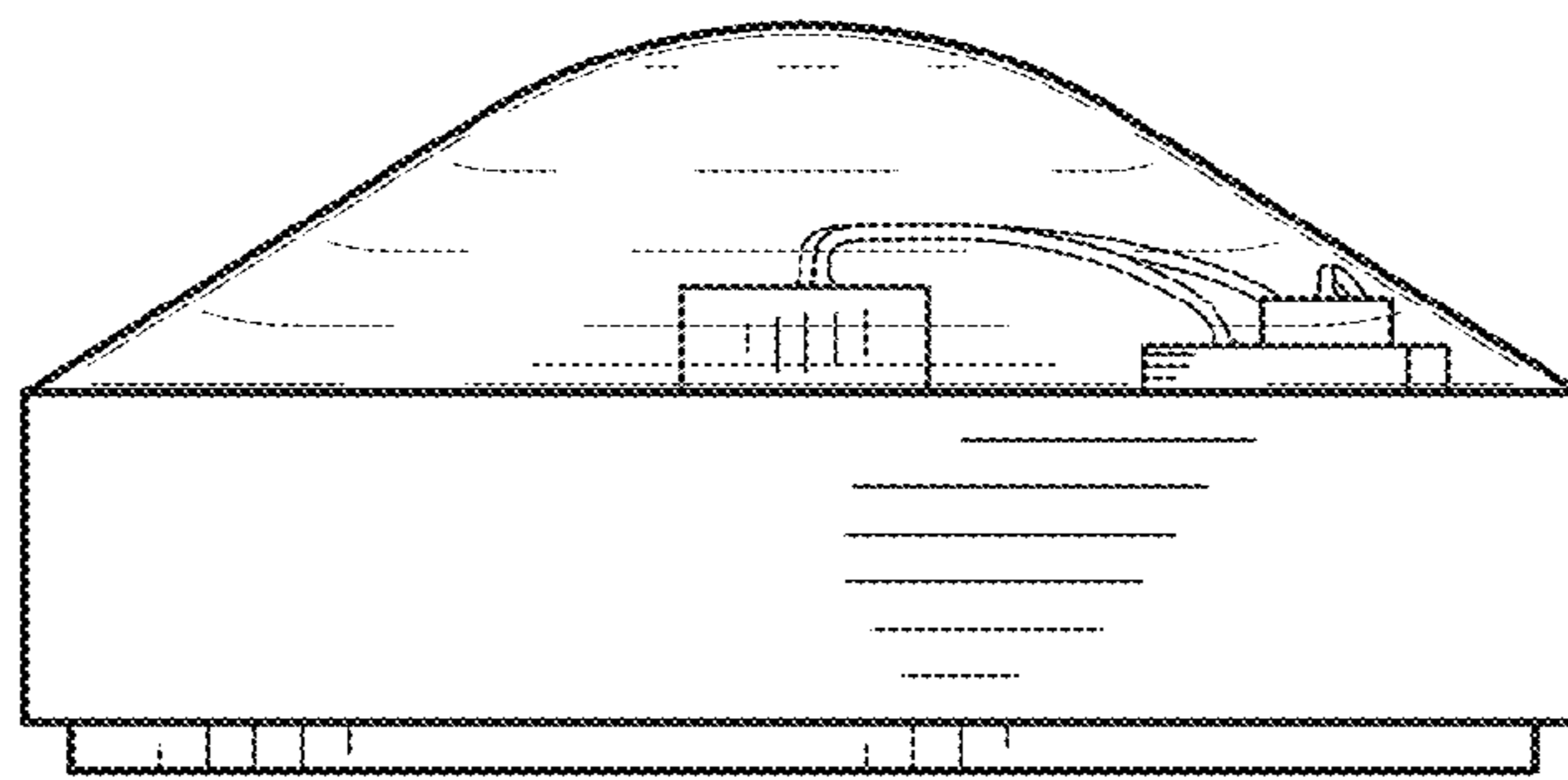


FIG. 8

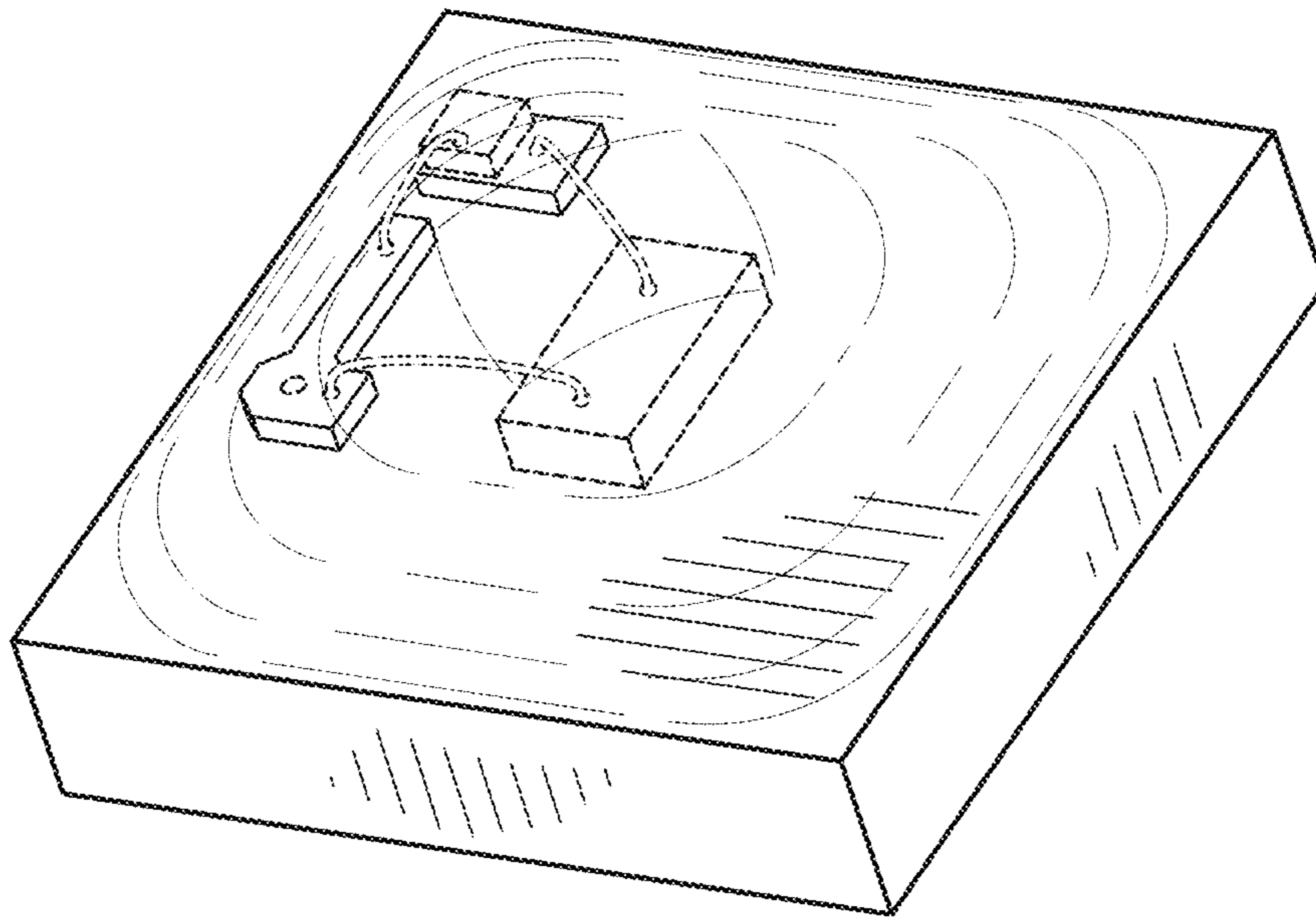


FIG. 9

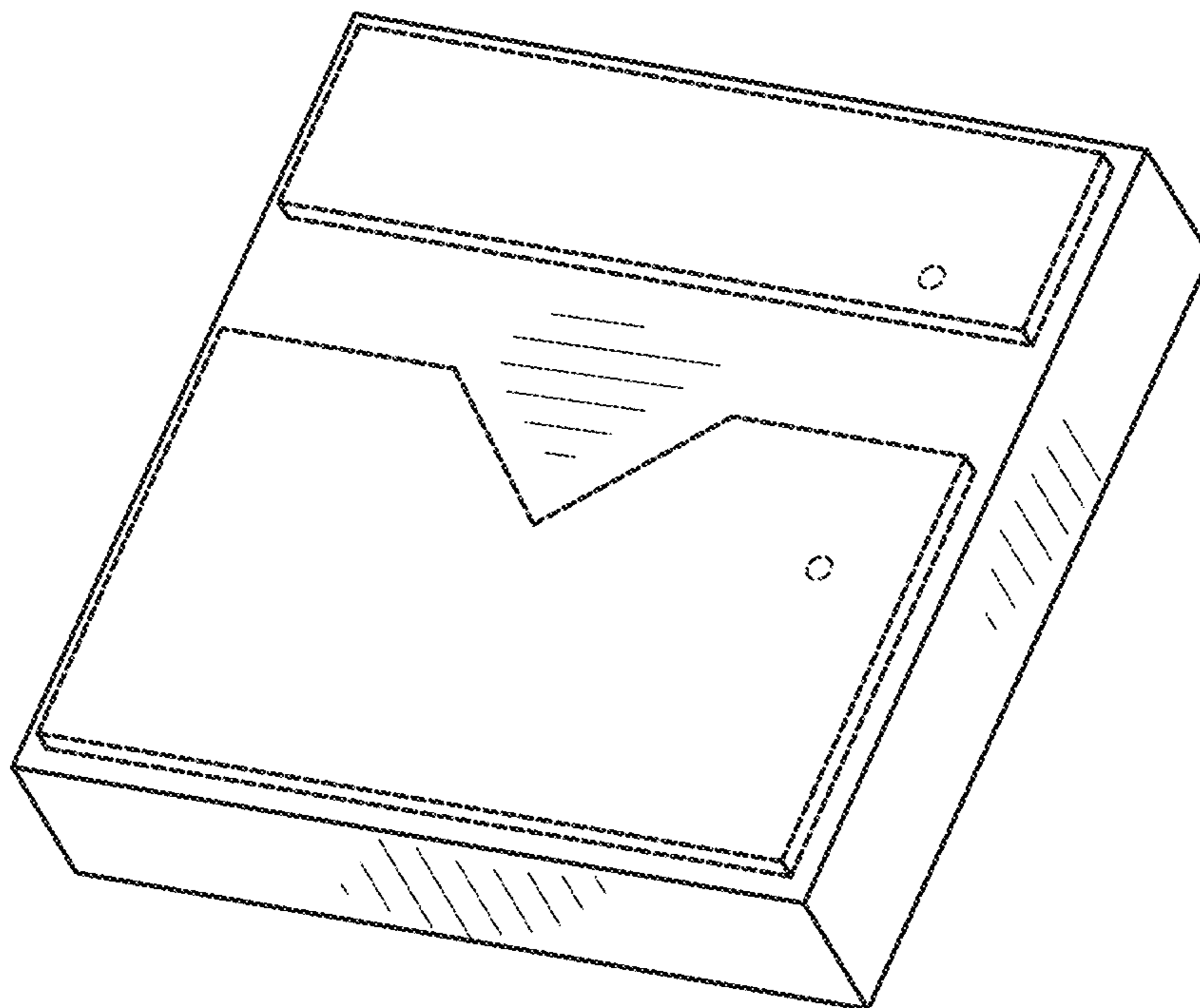


FIG. 10

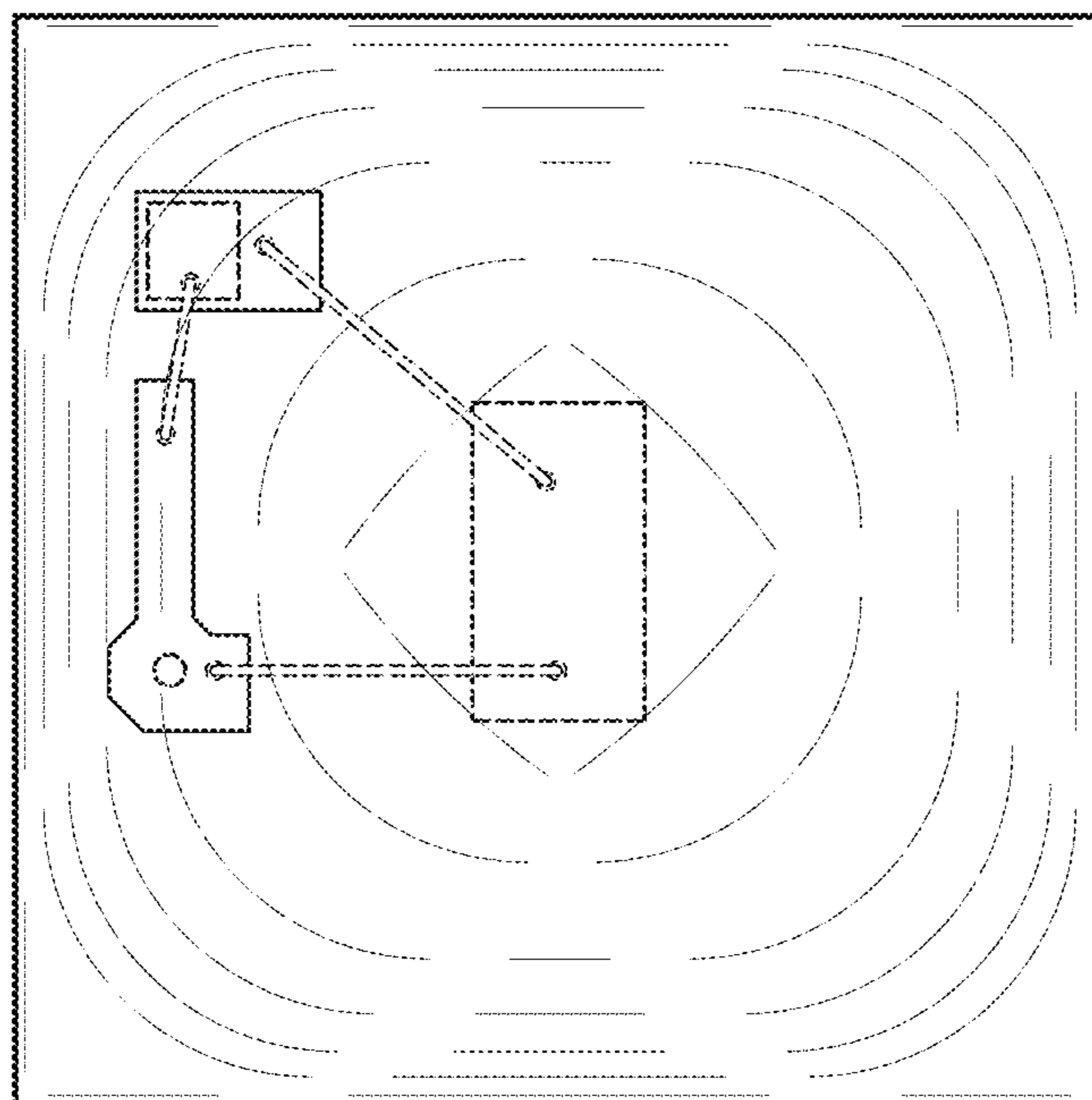


FIG. 11

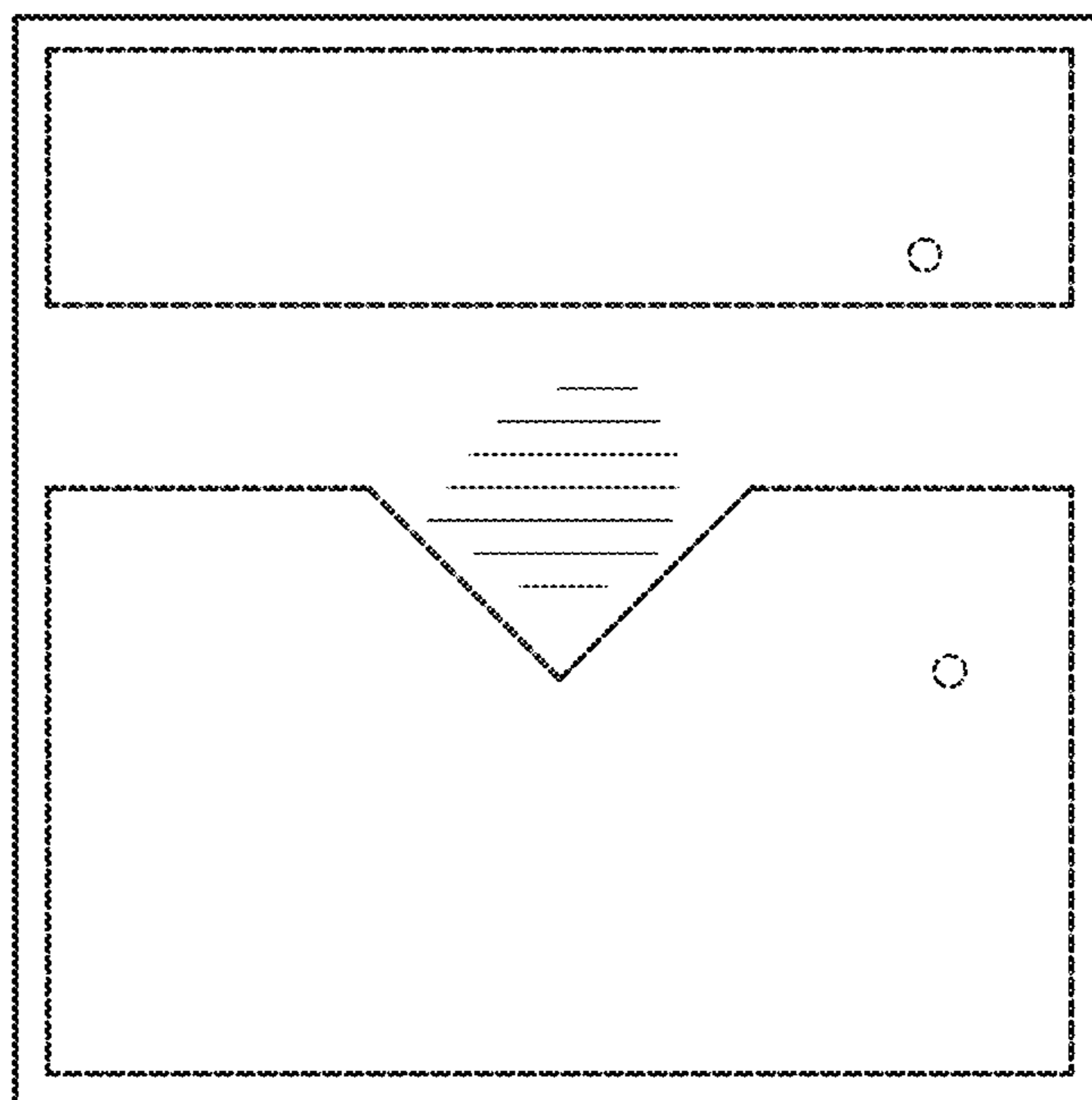


FIG. 12

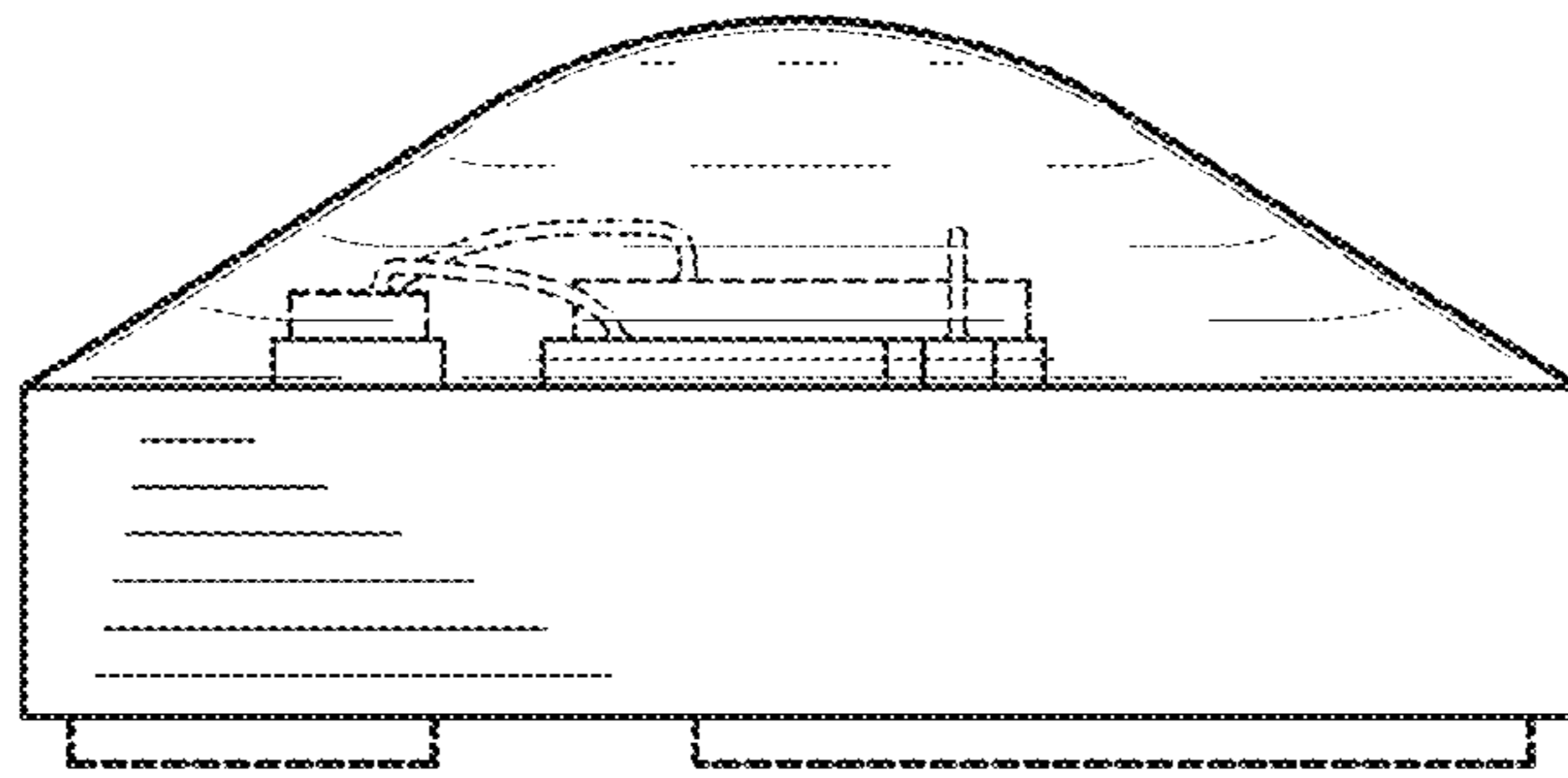


FIG. 13

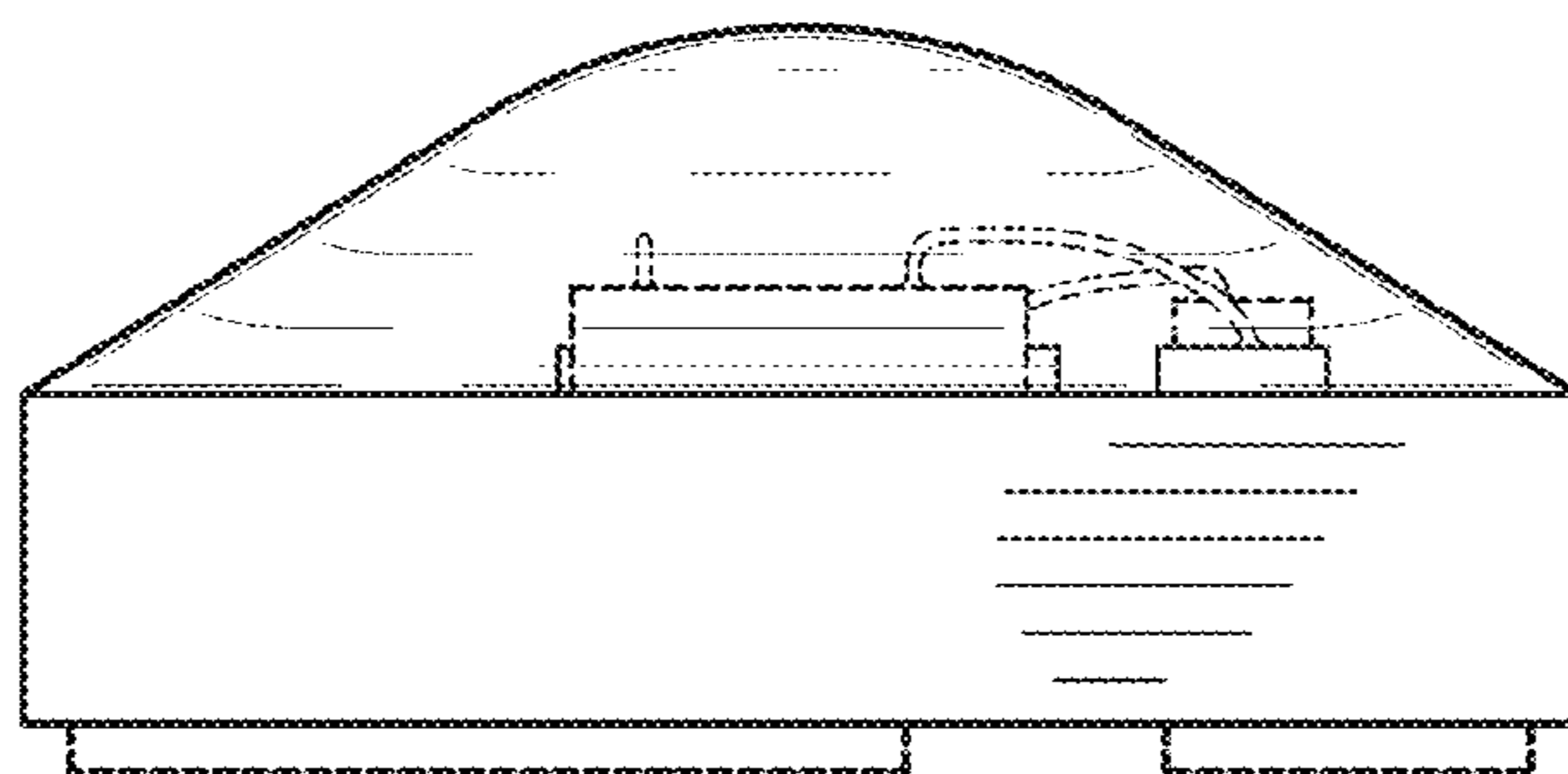


FIG. 14

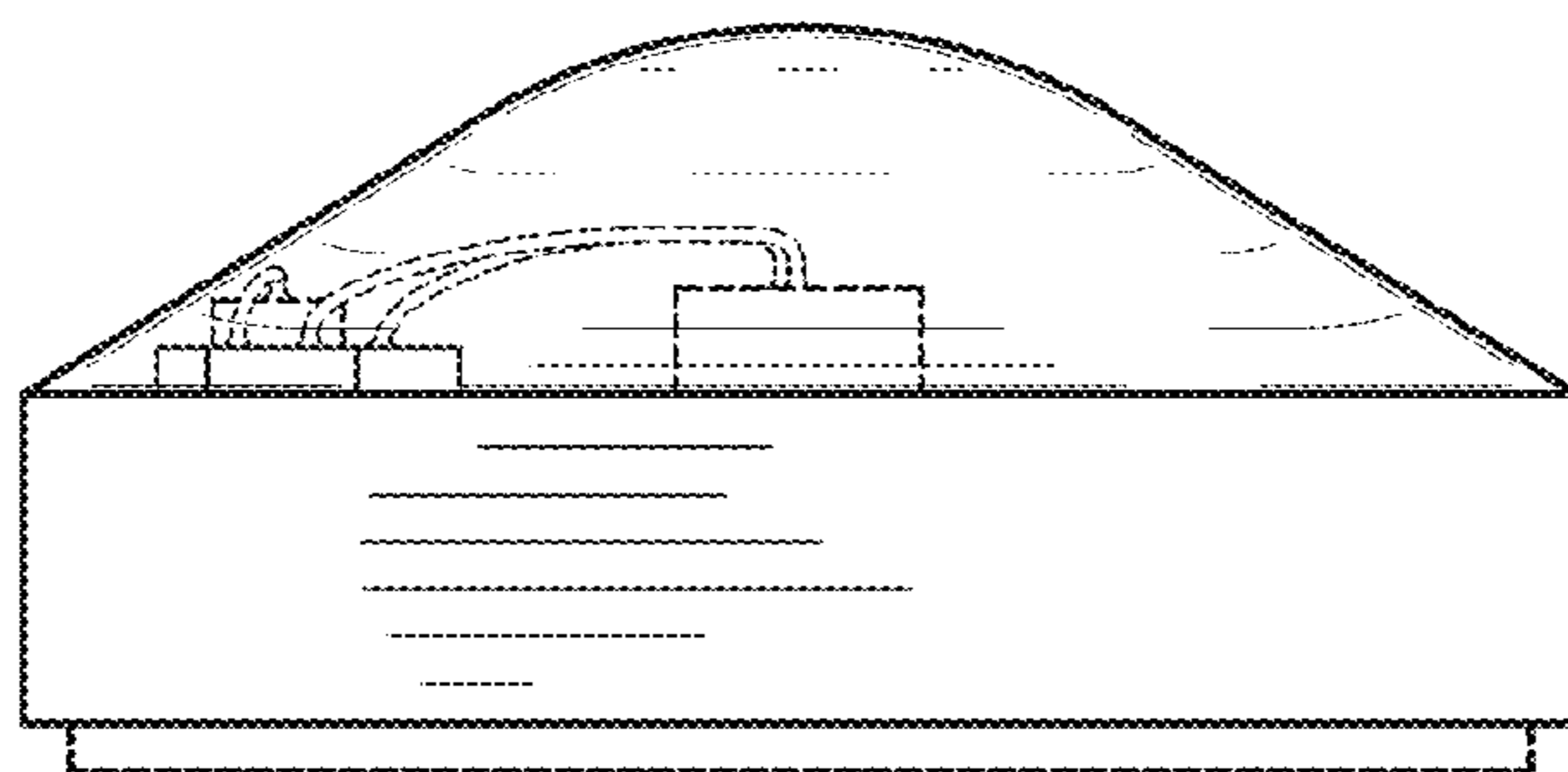


FIG. 15

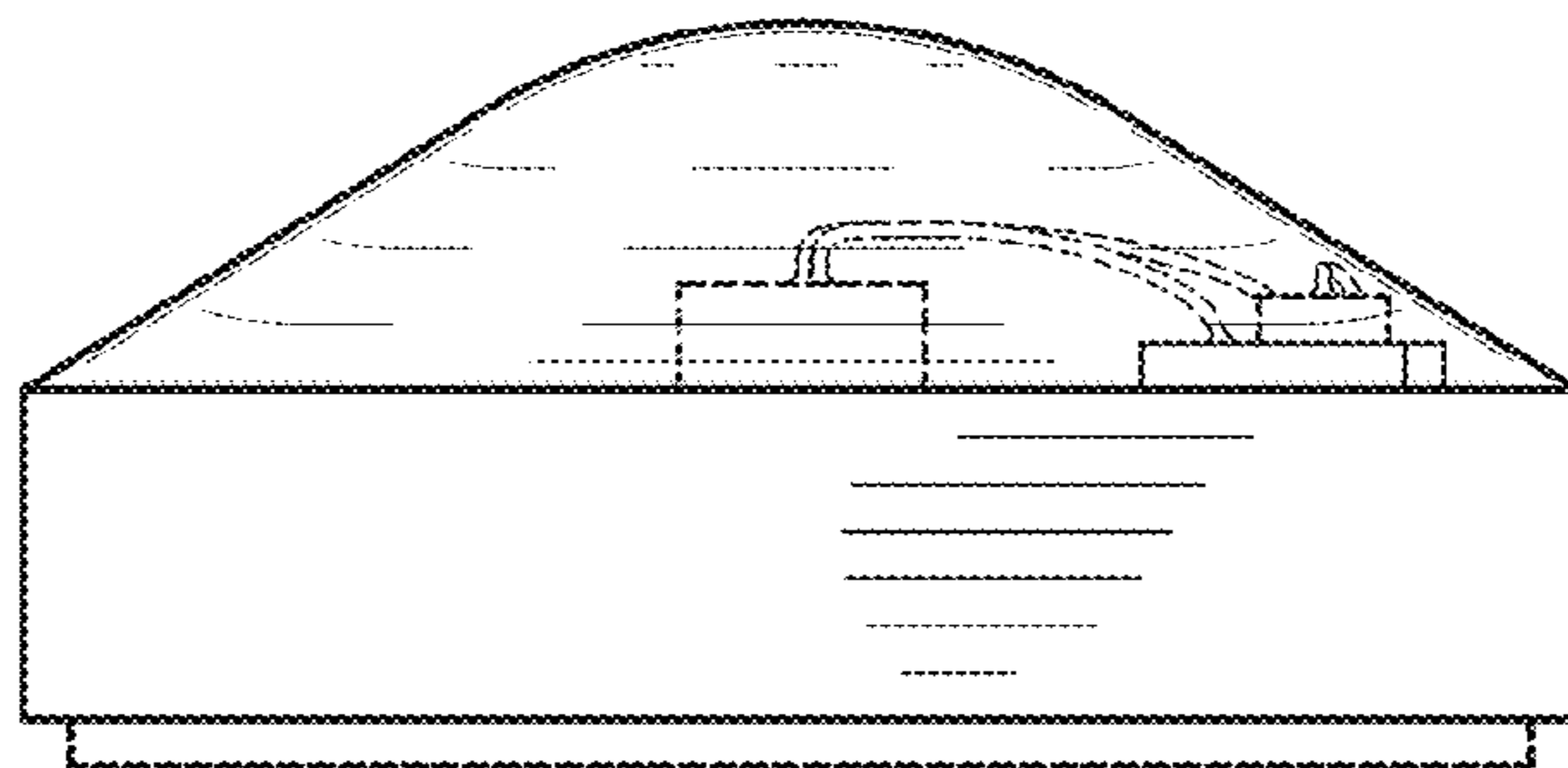


FIG. 16

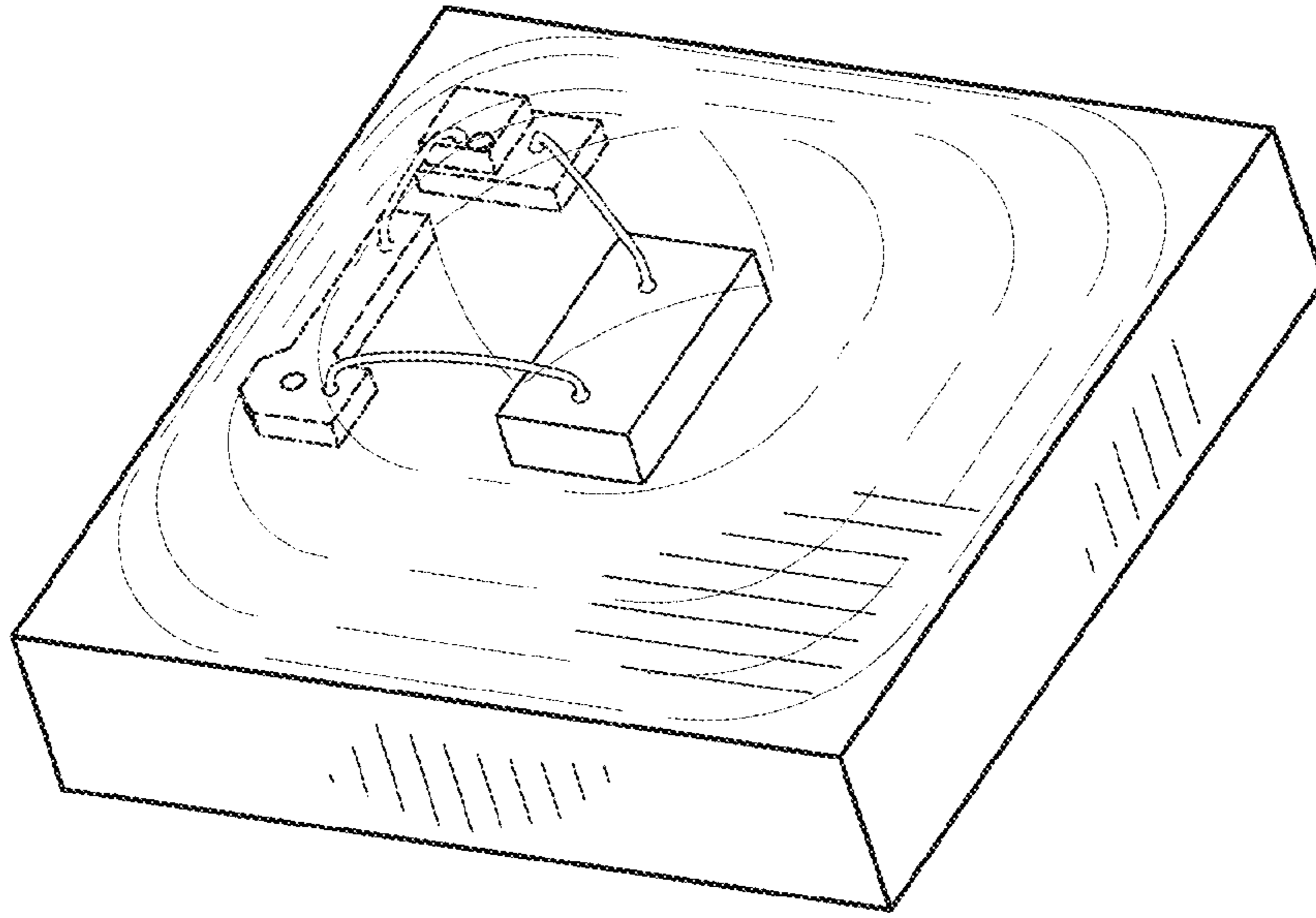


FIG. 17

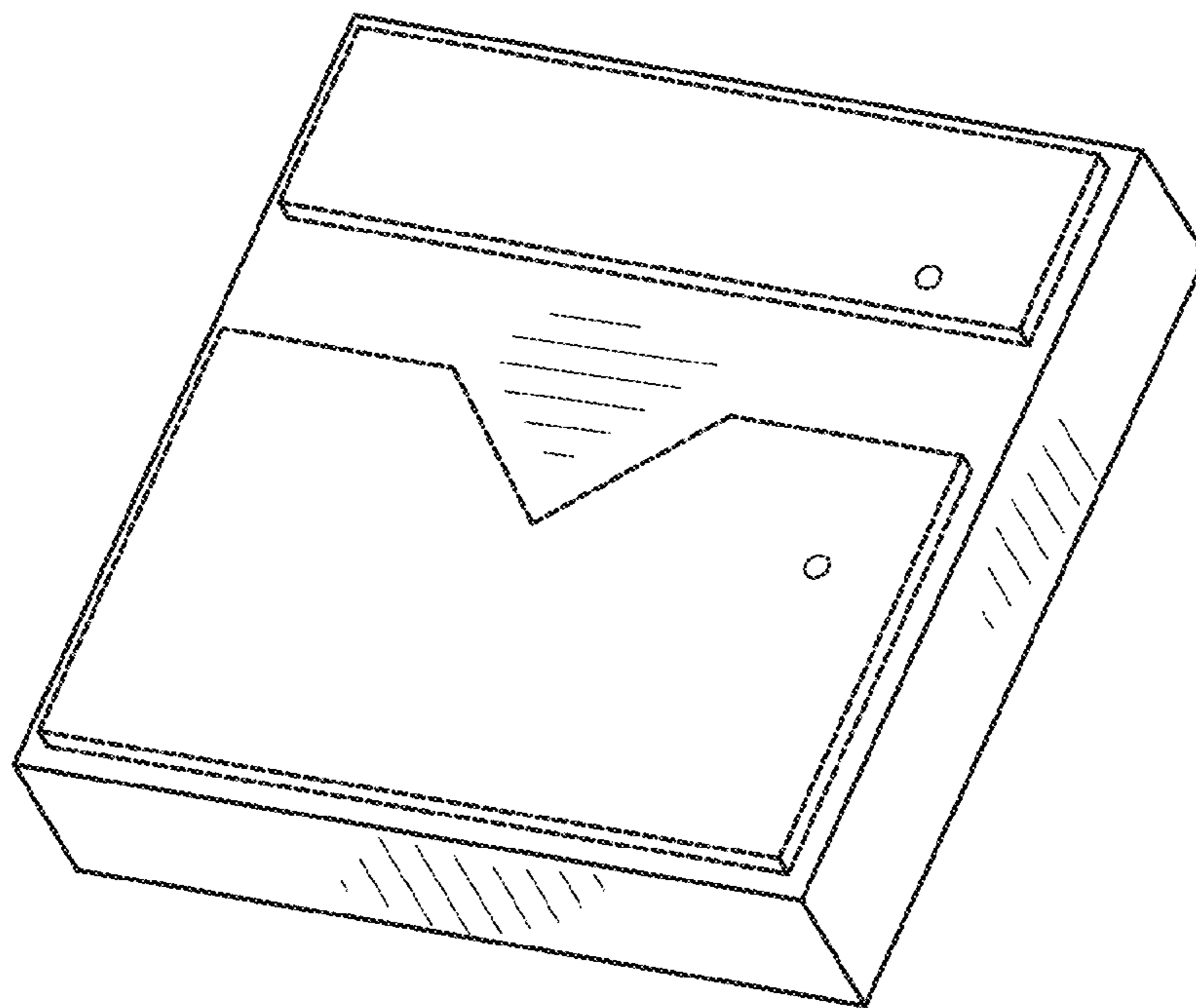


FIG. 18

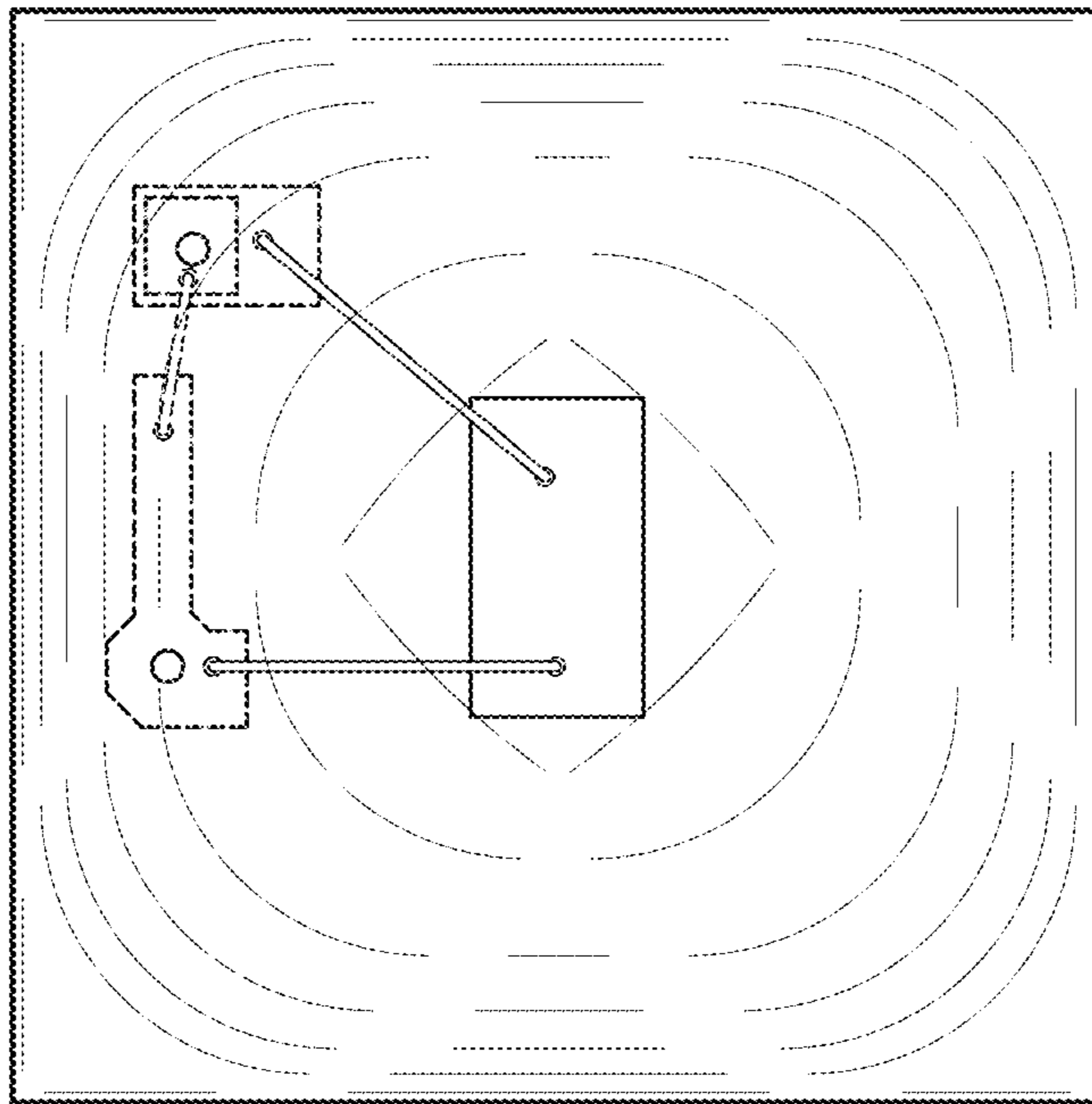


FIG. 19

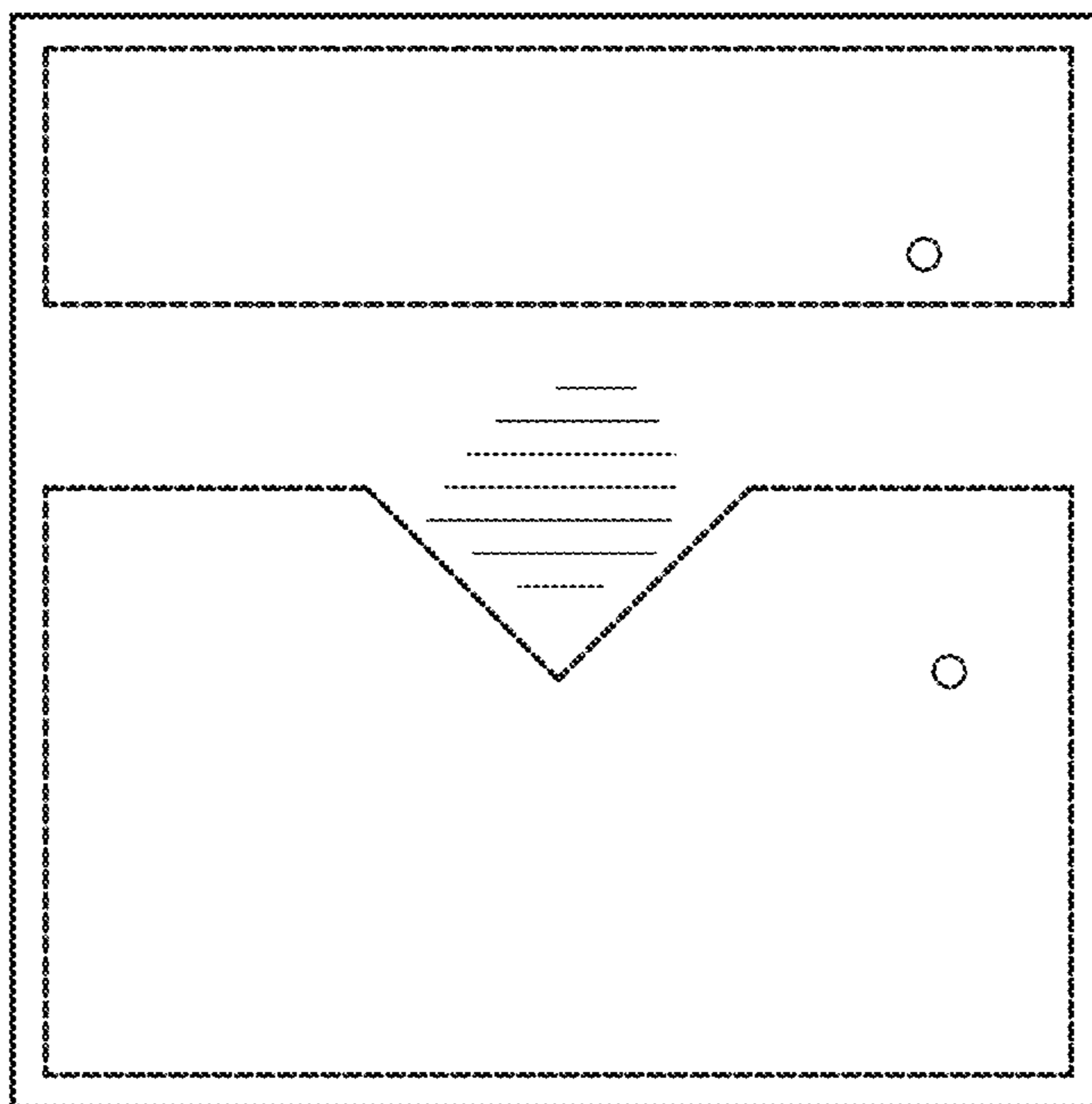


FIG. 20

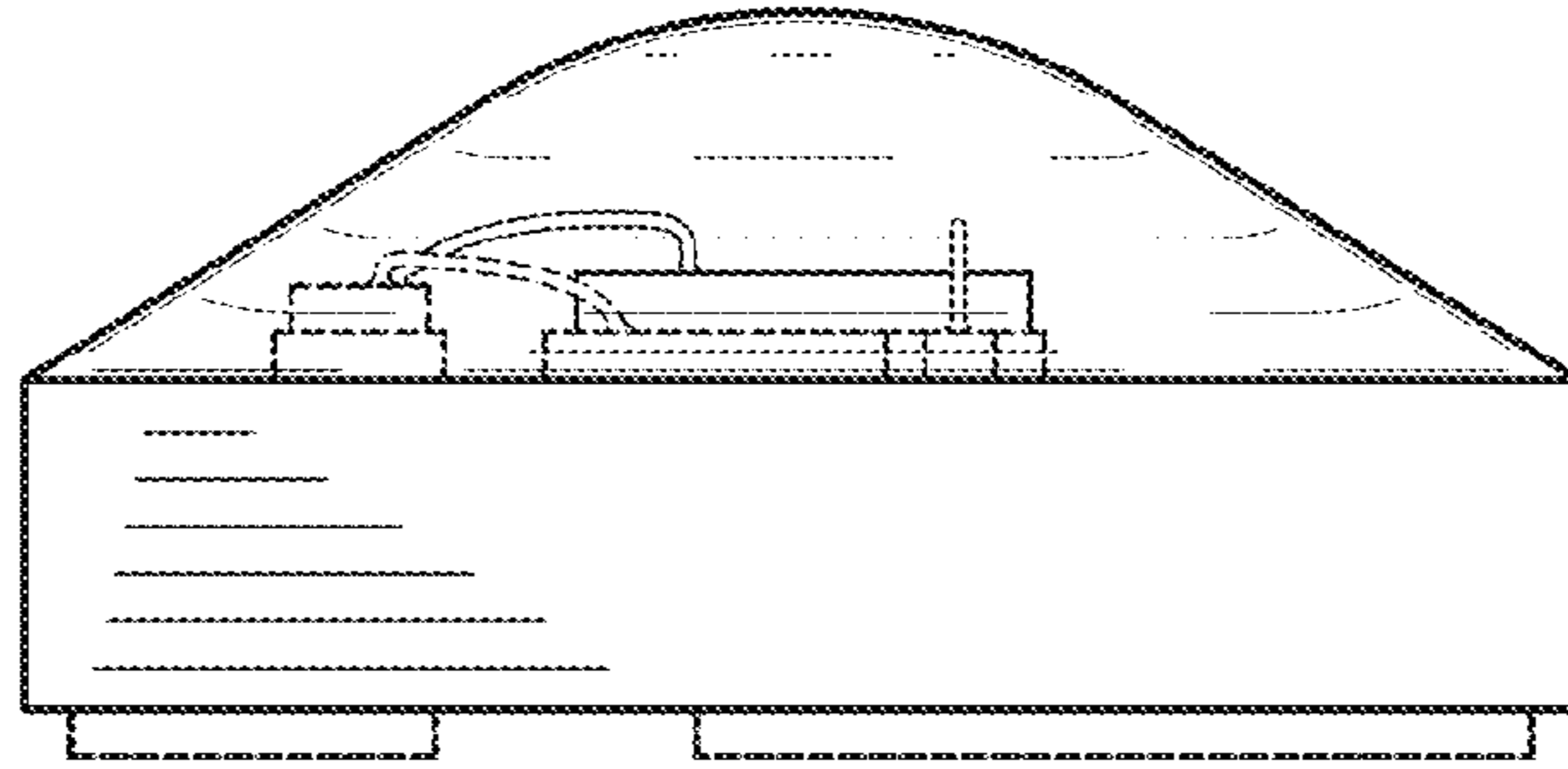


FIG. 21

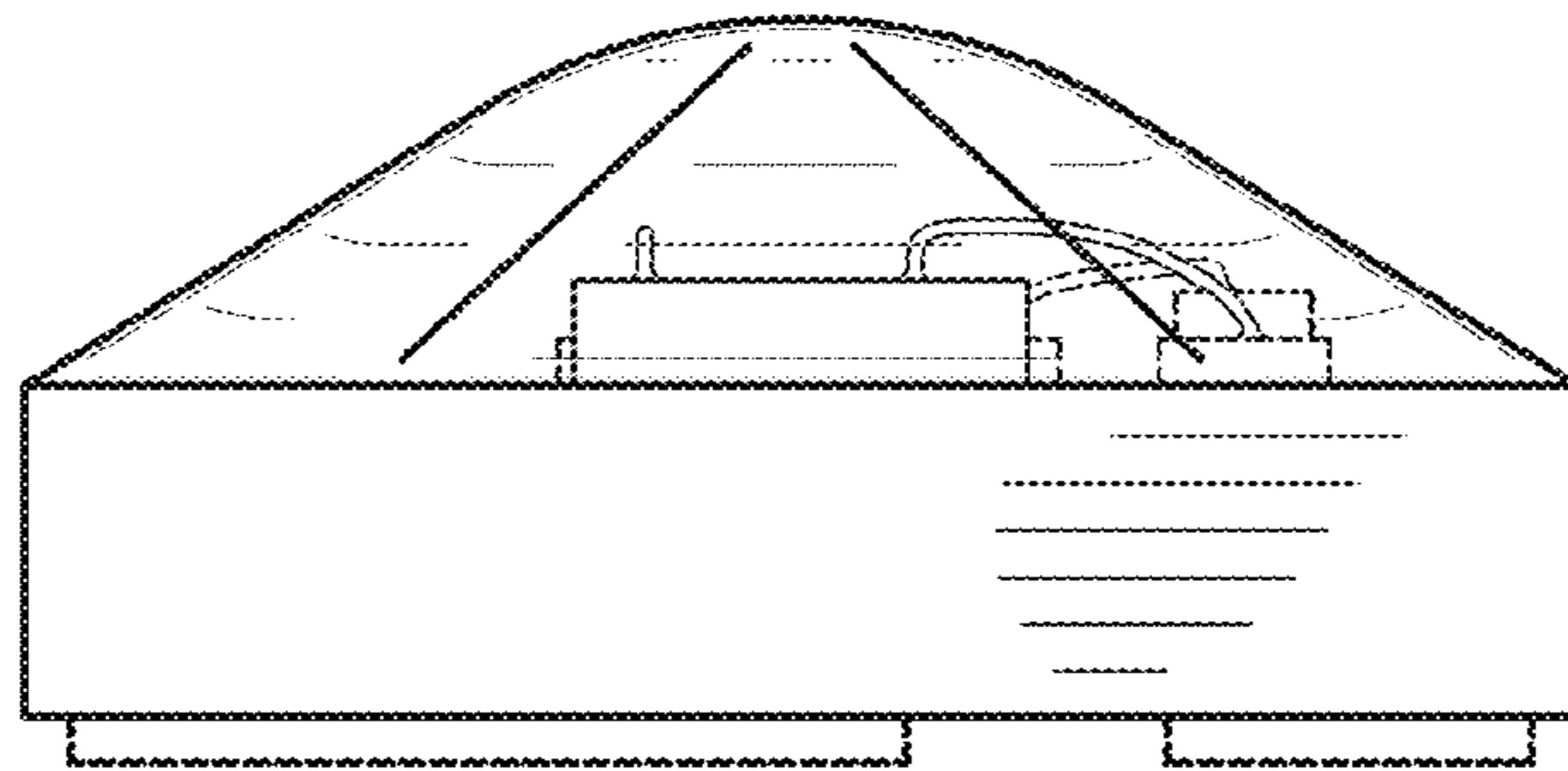


FIG. 22

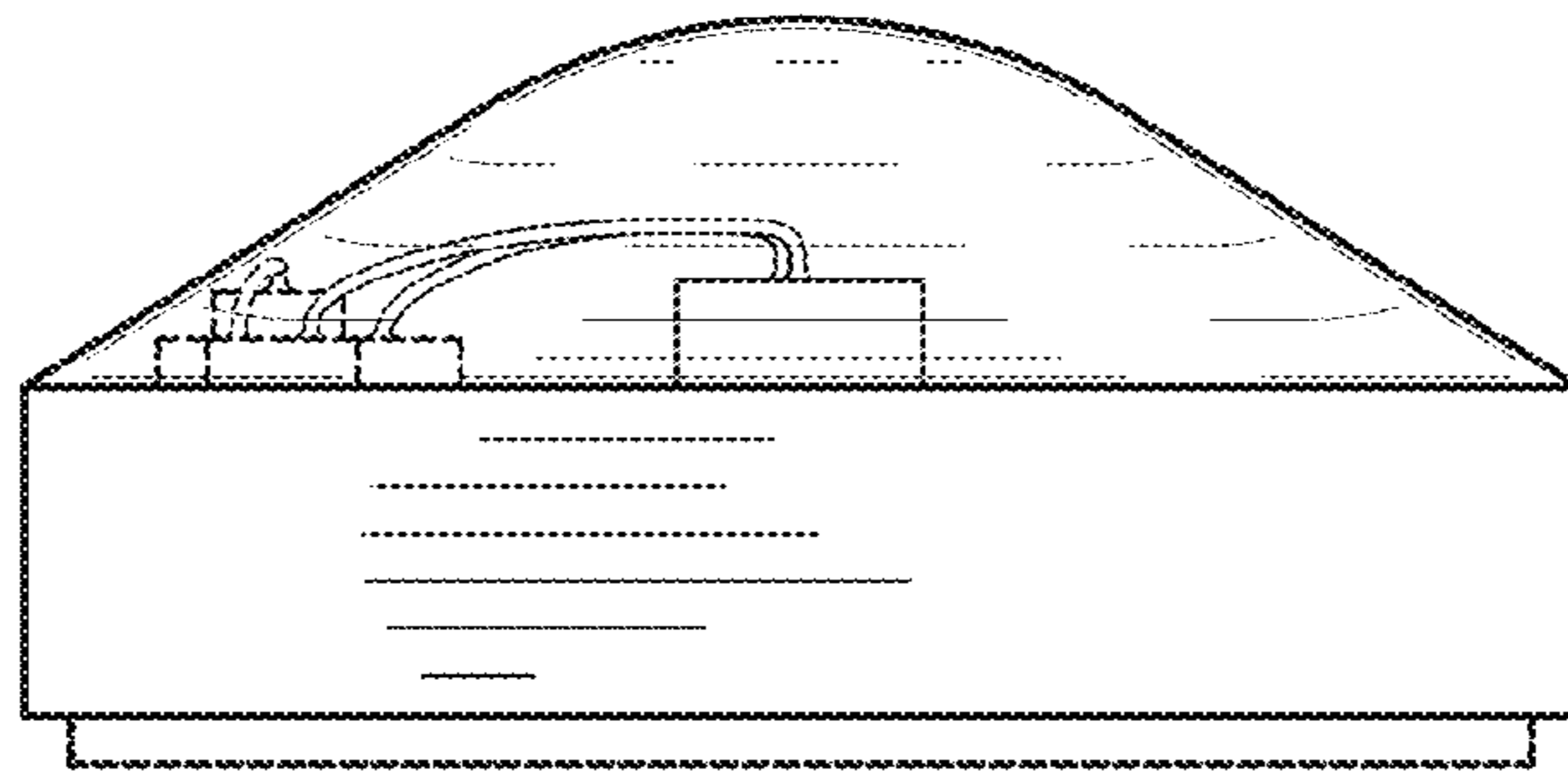


FIG. 23

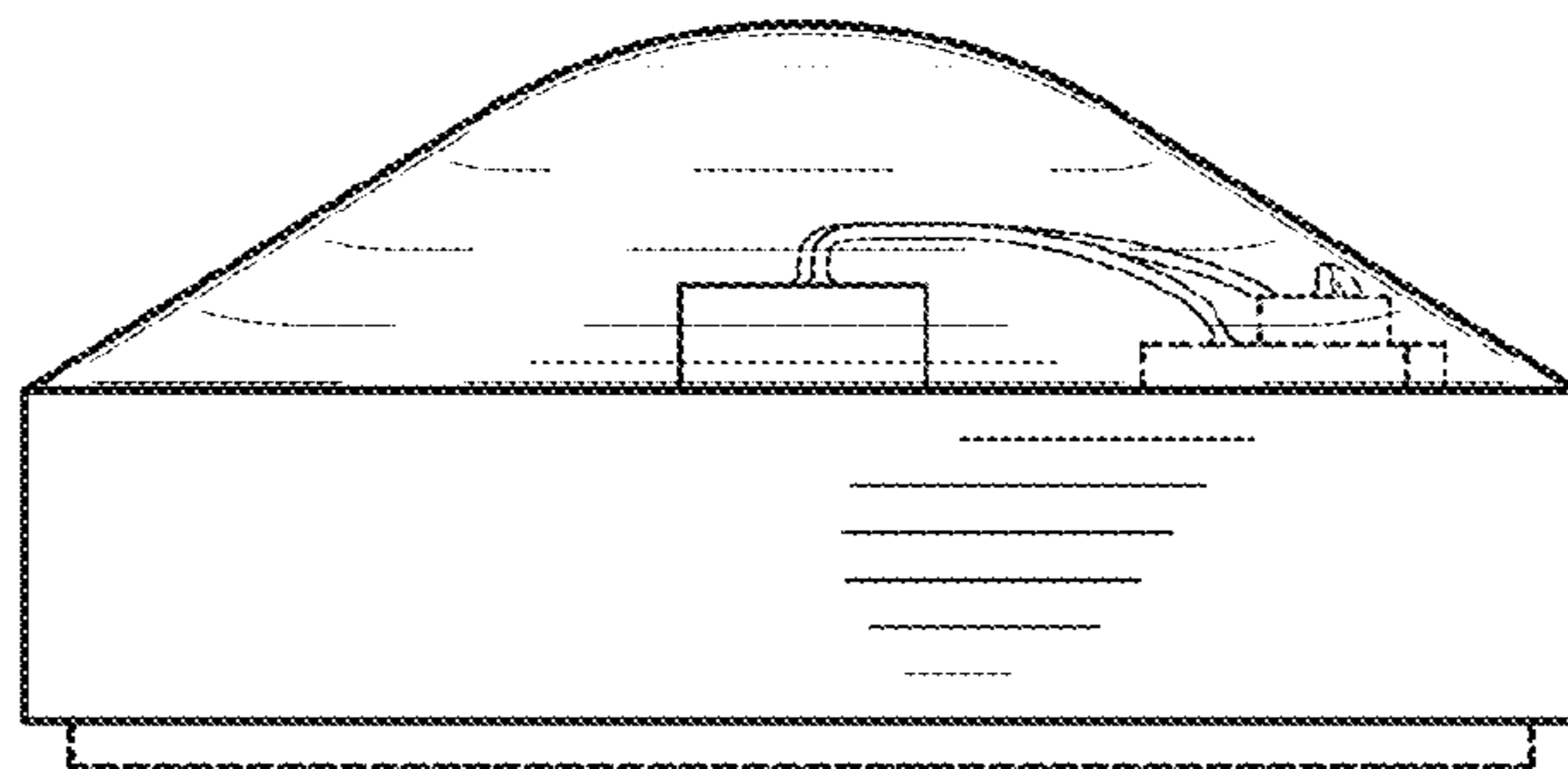


FIG. 24

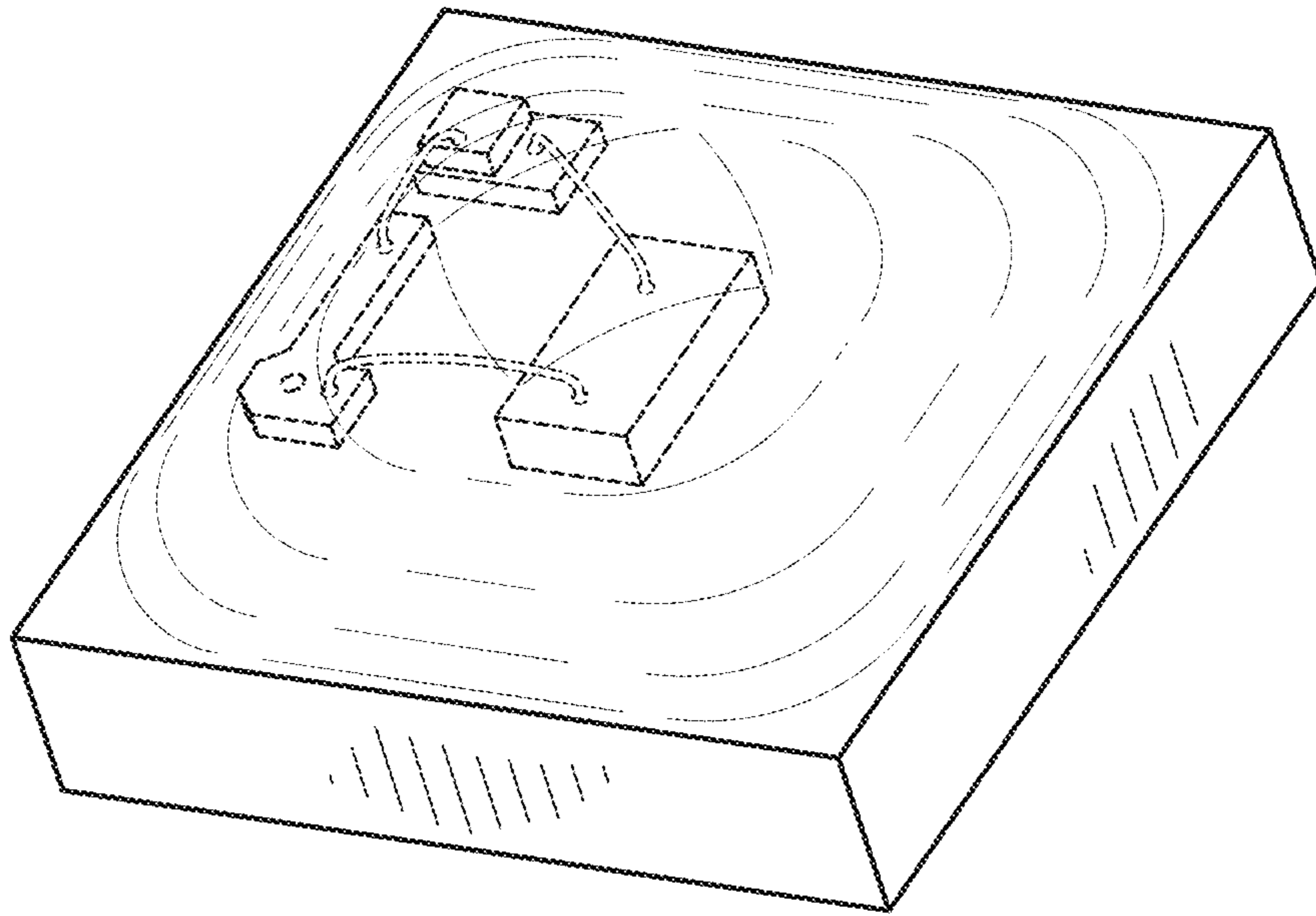


FIG. 25

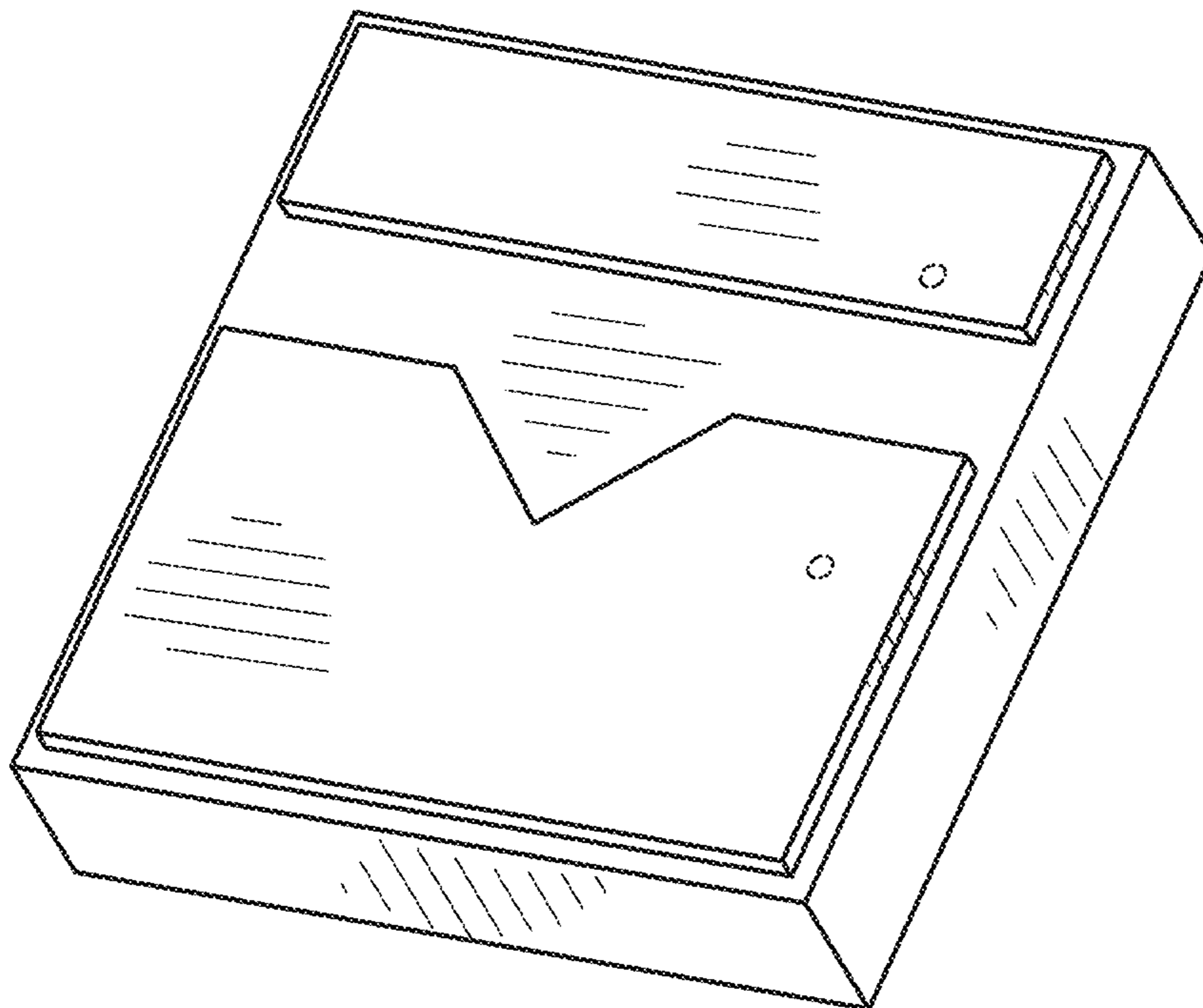


FIG. 26

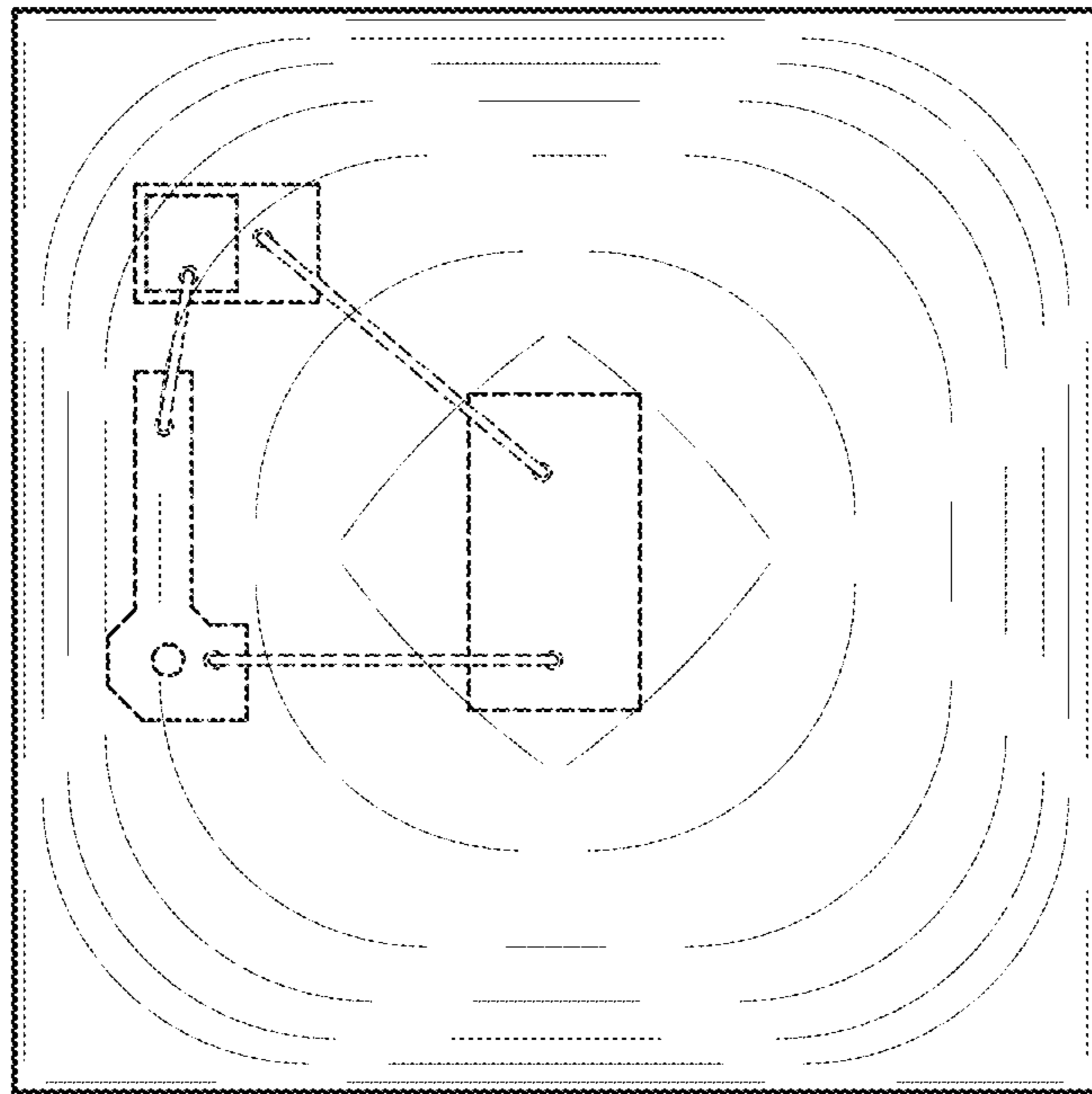


FIG. 27

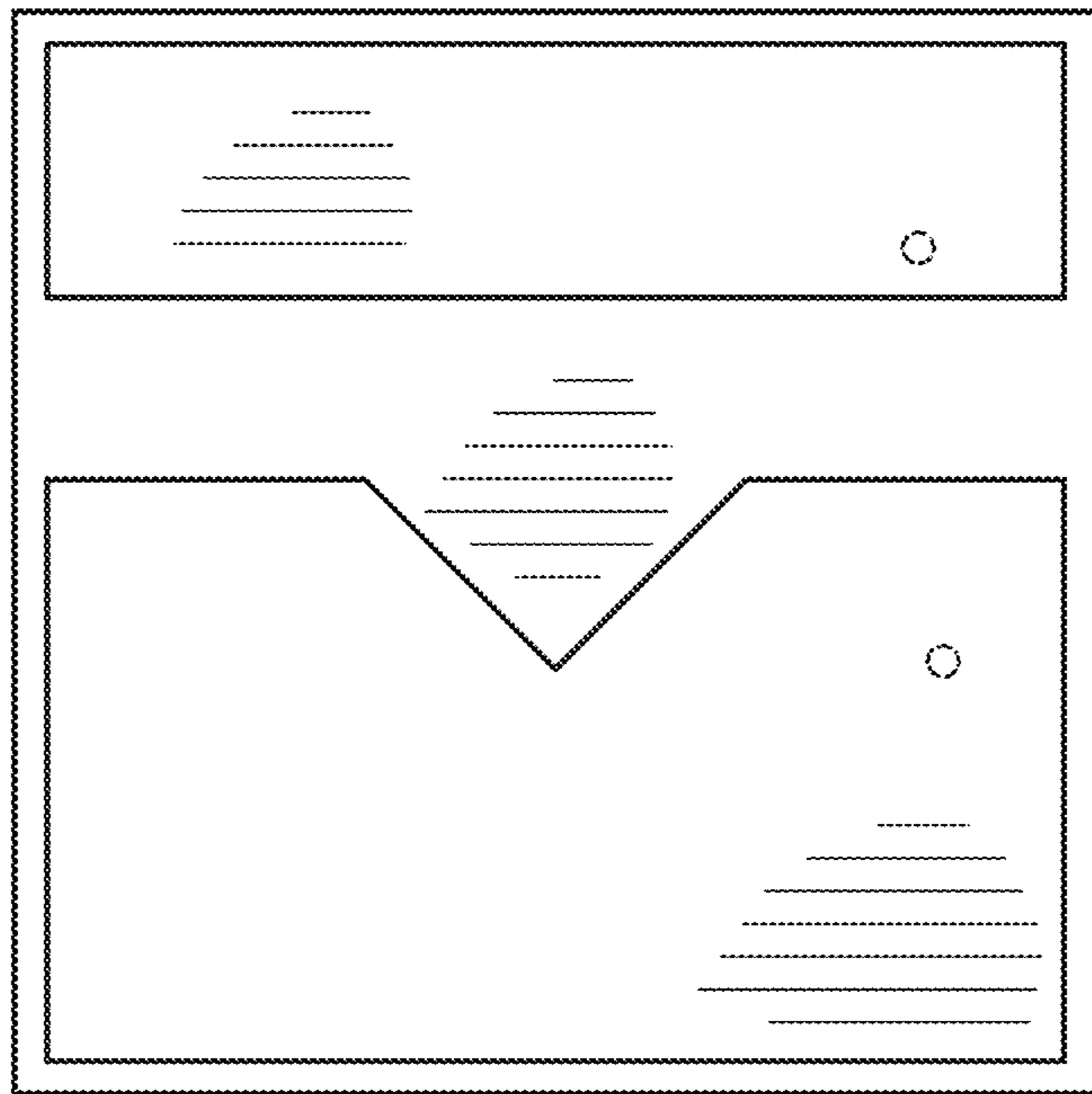


FIG. 28

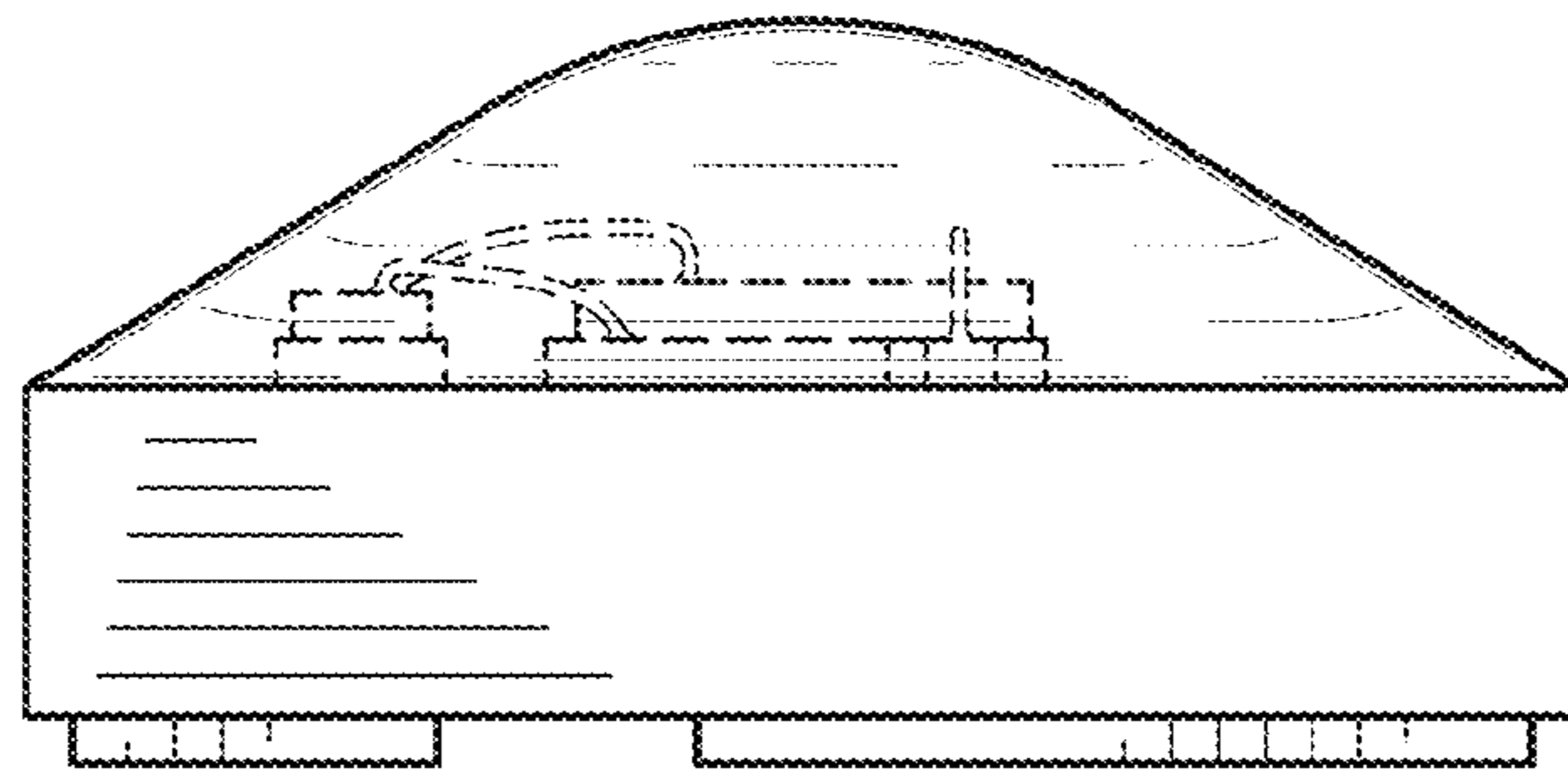


FIG. 29

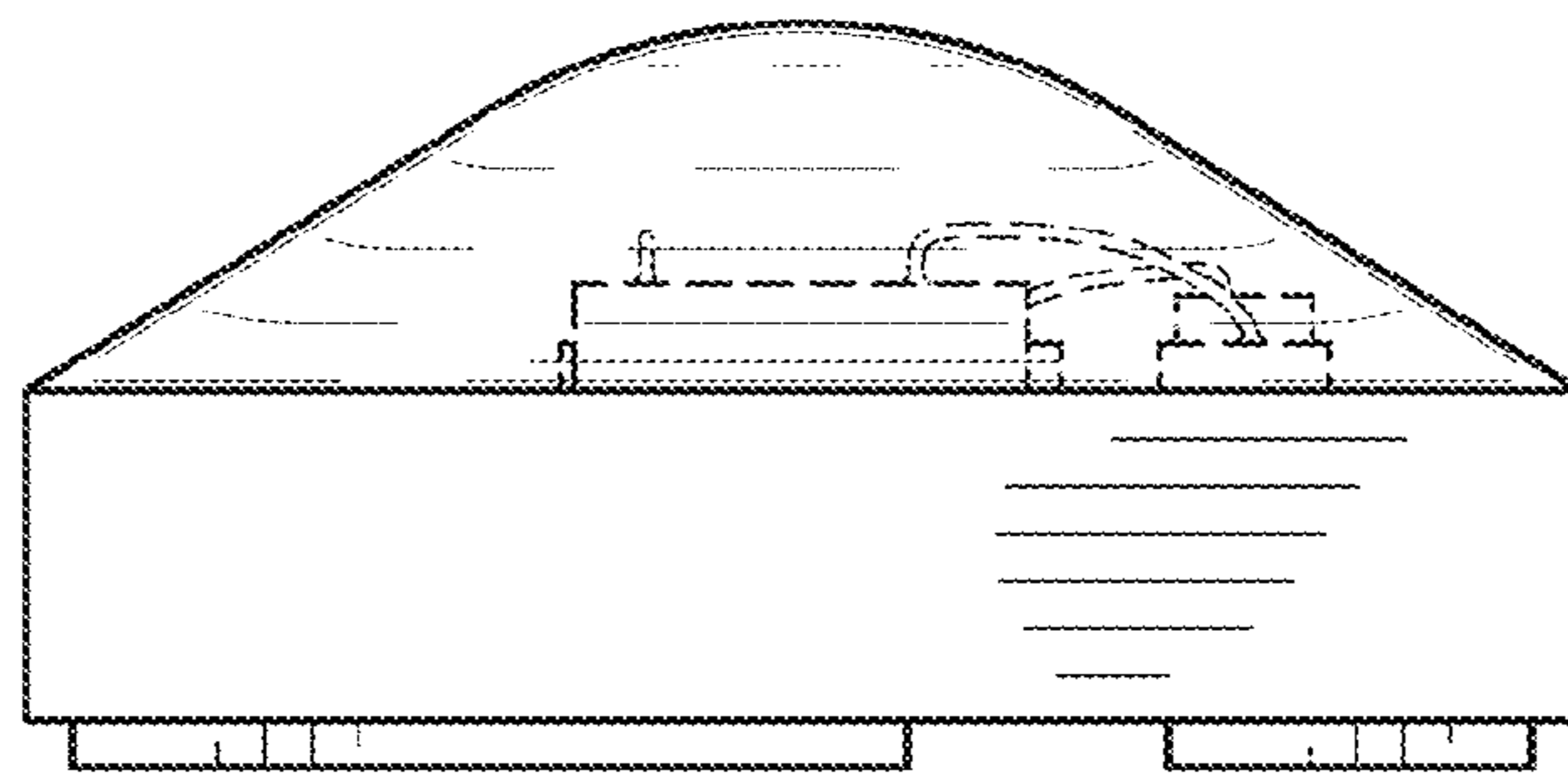


FIG. 30

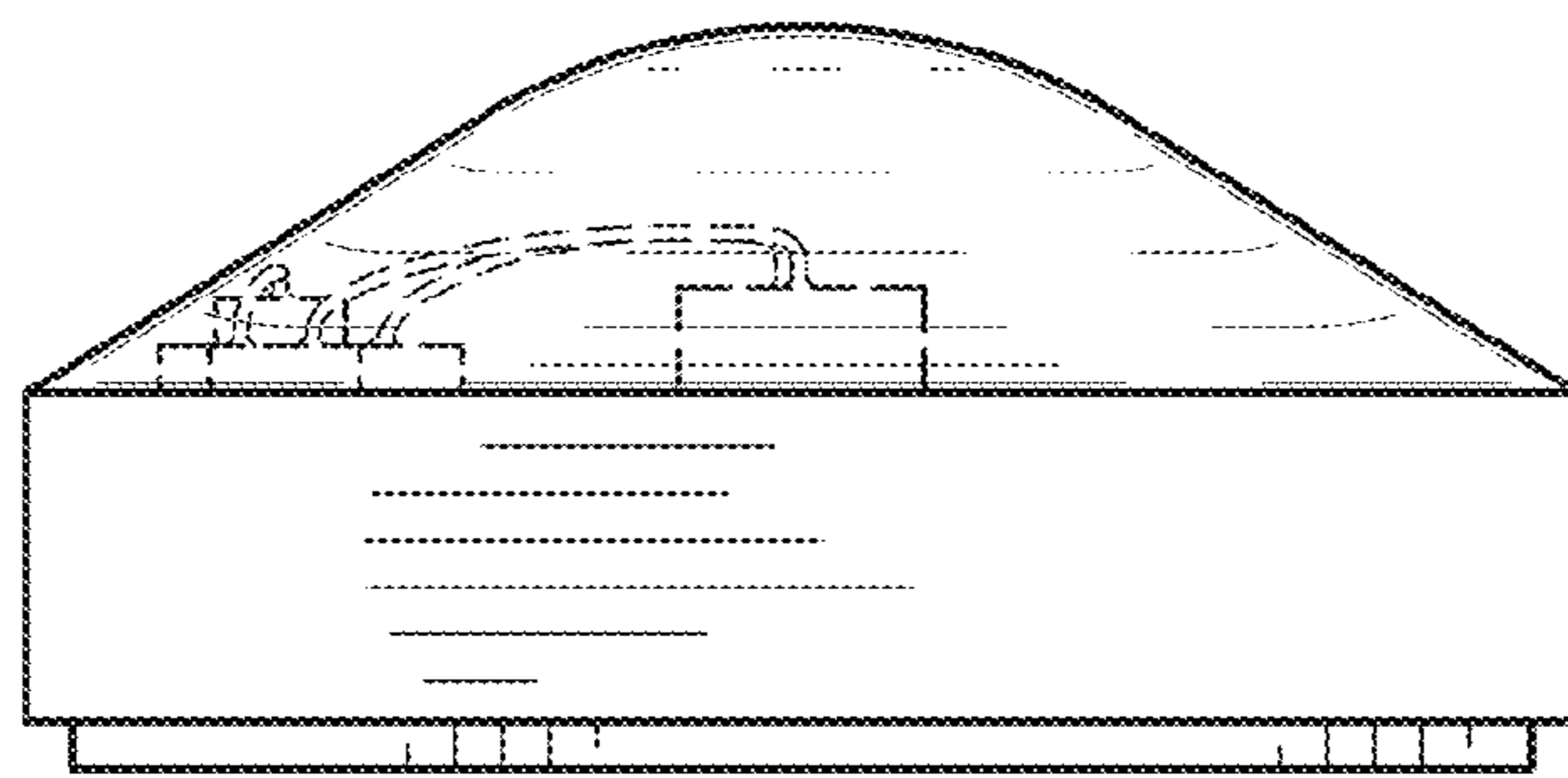


FIG. 31

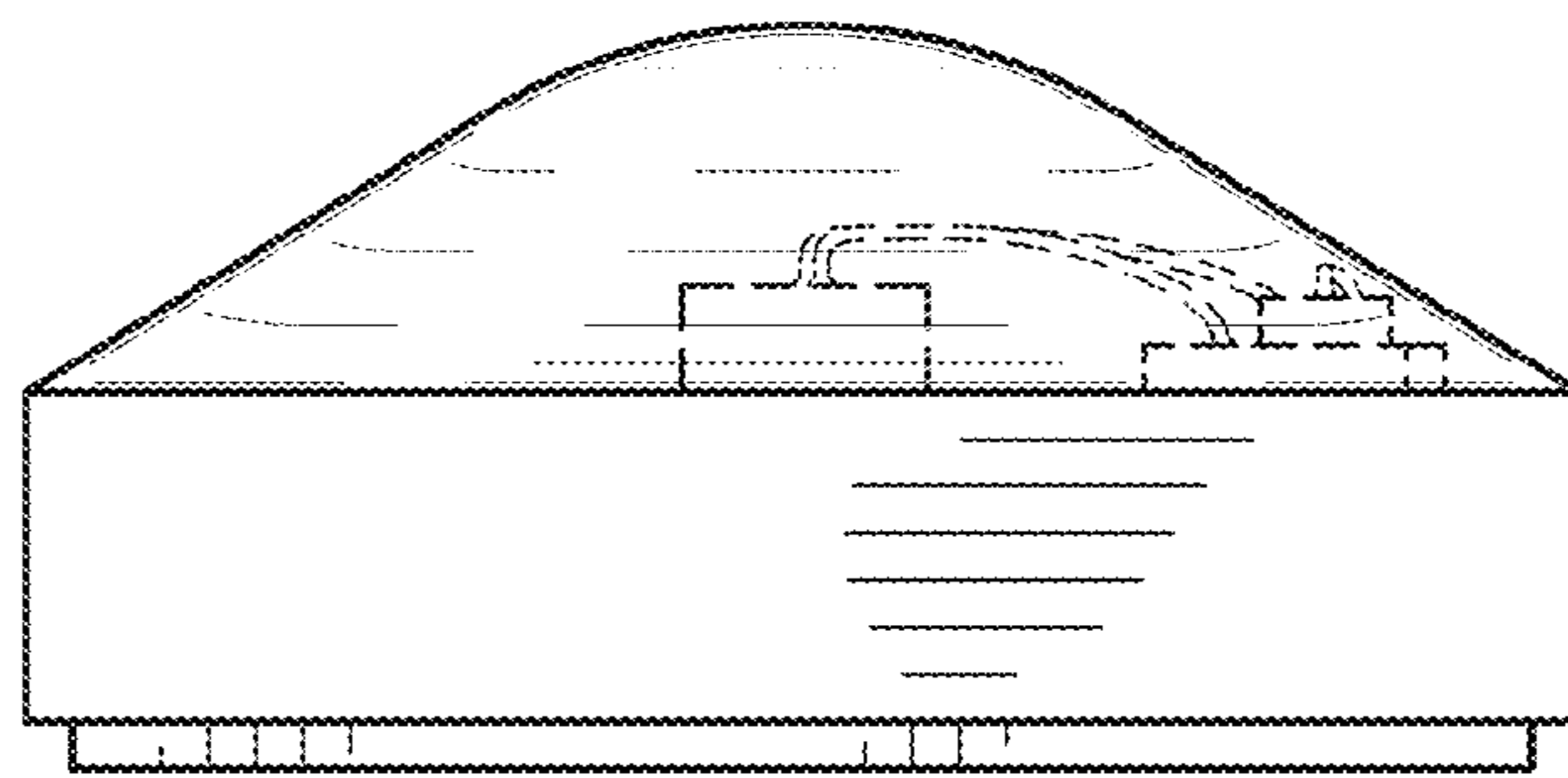


FIG. 32