



US00D738827S

(12) **United States Design Patent**
Lo

(10) **Patent No.:** **US D738,827 S**
(45) **Date of Patent:** **** Sep. 15, 2015**

(54) **LANYARD HOLDER WITH REMOVABLE
USB CABLE CONNECTOR**

(71) Applicant: **Chi Wah Lo**, Hong Kong (HK)

(72) Inventor: **Chi Wah Lo**, Hong Kong (HK)

(73) Assignee: **BBPOS LIMITED**, Hong Kong (HK)

(**) Term: **14 Years**

(21) Appl. No.: **29/451,943**

(22) Filed: **Apr. 10, 2013**

(51) **LOC (10) Cl.** **13-03**

(52) **U.S. Cl.**
USPC **D13/154**

(58) **Field of Classification Search**
USPC D13/133, 146, 147, 153, 184, 199
CPC G06F 9/44573; G06F 17/30902; G06F 1/163
See application file for complete search history.

(56) **References Cited**

U.S. PATENT DOCUMENTS

D647,528	S *	10/2011	Busch	D14/480.1
D684,542	S *	6/2013	Ledesma	D13/153
8,652,062	B1 *	2/2014	Holder	600/508
2007/0053523	A1 *	3/2007	Iuliis et al.	381/77
2012/0110226	A1 *	5/2012	Vlach et al.	710/63
2014/0054346	A1 *	2/2014	Ledesma	224/576

* cited by examiner

Primary Examiner — Eric Goodman

Assistant Examiner — Sanjeev Paul

(74) *Attorney, Agent, or Firm* — Howison & Arnott, L.L.P.

(57) **CLAIM**

The ornamental design for a lanyard holder with removable USB cable connector, as shown and described.

DESCRIPTION

FIG. 1 is a front view of a lanyard holder with removable USB cable connector, in a locked configuration showing my new design;

FIG. 2 is a front view thereof, in an unlocked configuration; FIG. 3 is a front view thereof, taken from enlarged view FIG. 3 of FIG. 1;

FIG. 4 is a front view thereof, taken from enlarged view FIG. 4 of FIG. 1;

FIG. 5 is a front perspective view thereof in the locked configuration and without the lanyard;

FIG. 6 is a front perspective view thereof, in an unlocked configuration;

FIG. 7 is a back perspective view thereof, in a locked configuration;

FIG. 8 is a back perspective view thereof, in an unlocked configuration thereof;

FIG. 9 is a side elevation view thereof in the locked configuration, and without the lanyard;

FIG. 10 is a side elevation view thereof, in an unlocked configuration;

FIG. 11 is a back elevation view thereof, in a locked configuration; and,

FIG. 12 is a back elevation view thereof, in an unlocked configuration.

The broken lines in the drawings represent unclaimed portions of the design that form no part of the claimed design.

Regarding FIG. 8 and FIG. 12, the thickness of the contacts shown therein is subtle.

1 Claim, 6 Drawing Sheets

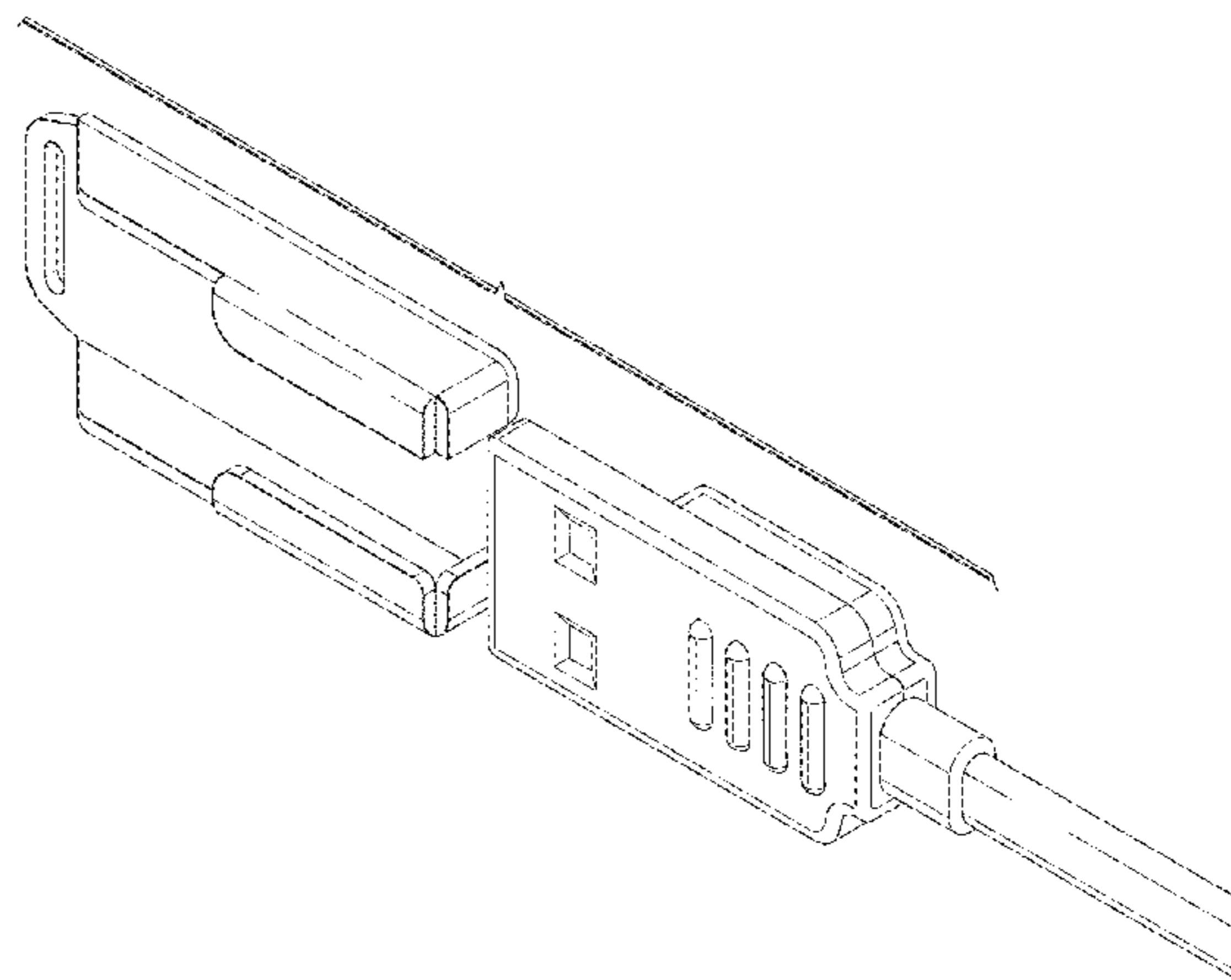
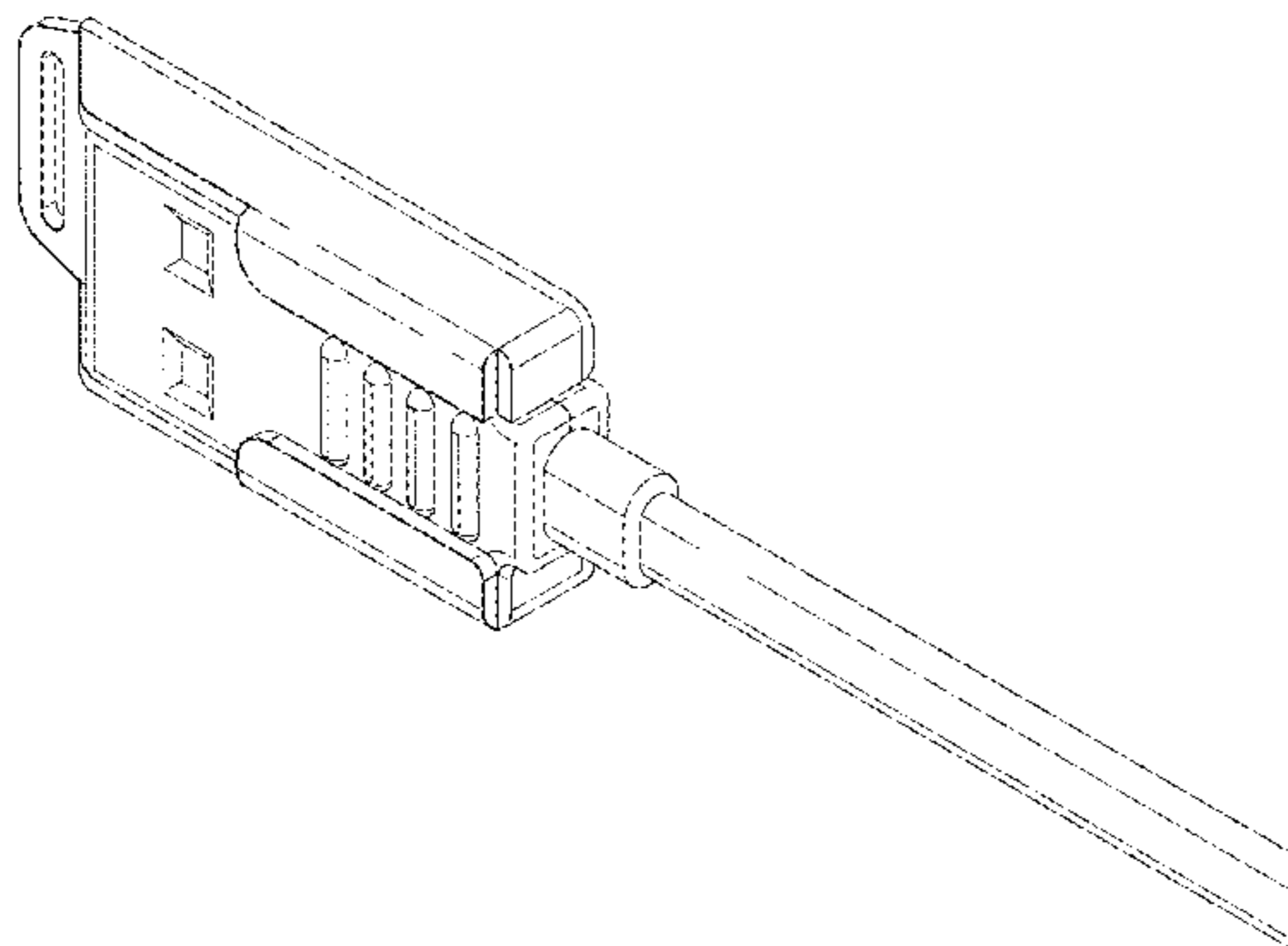


FIG. 1

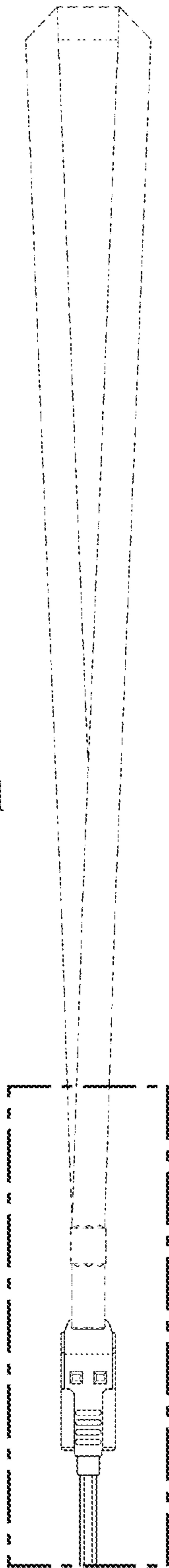


FIG. 3

FIG. 2

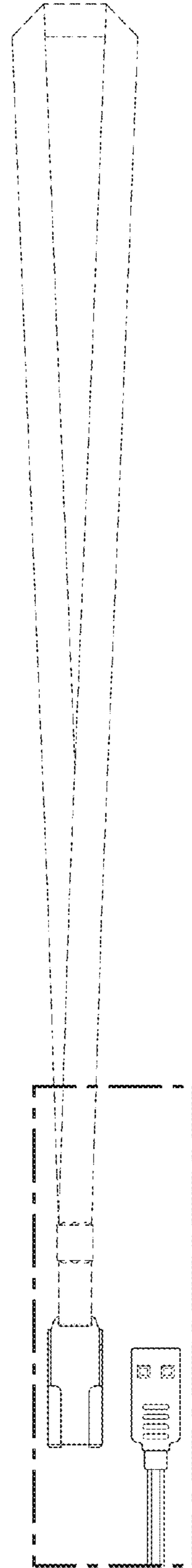


FIG. 4

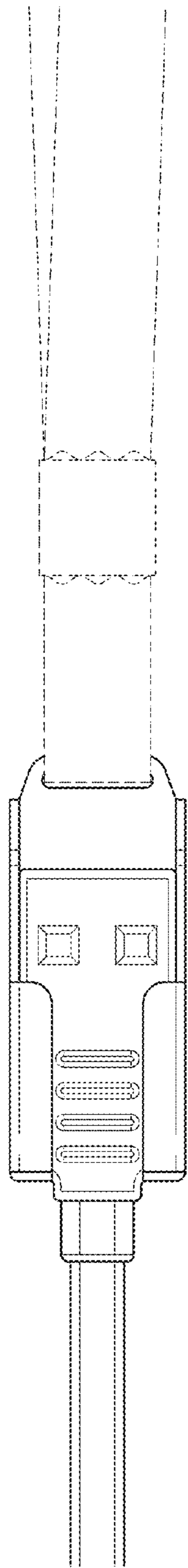


FIG. 3

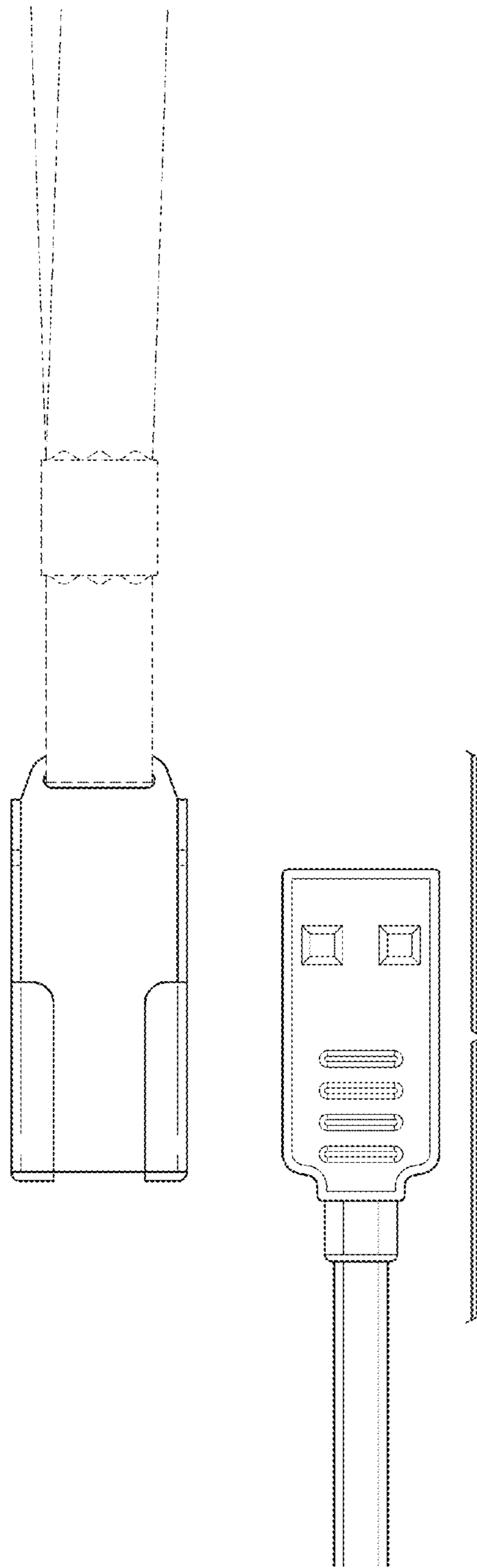


FIG. 4

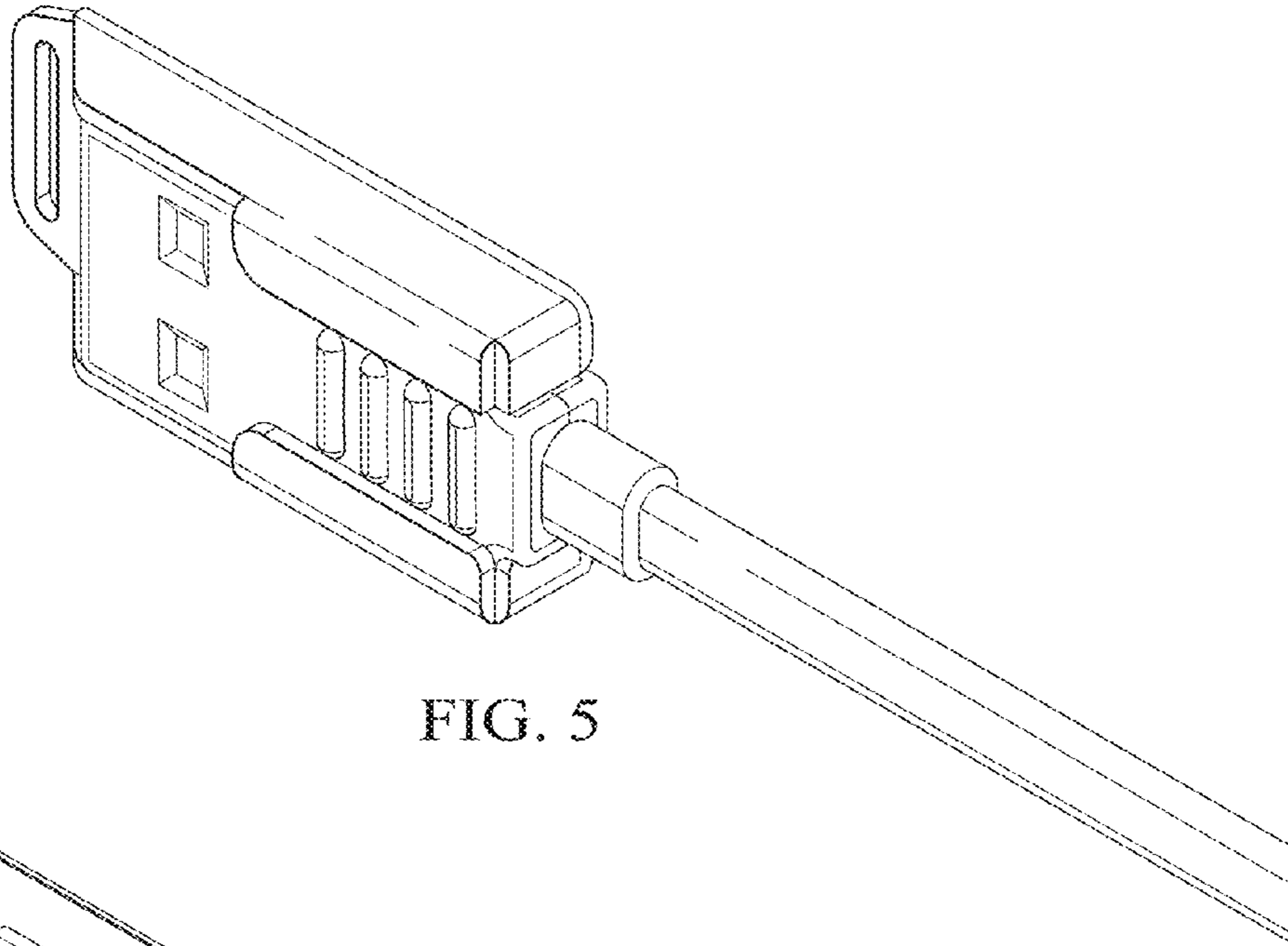


FIG. 5

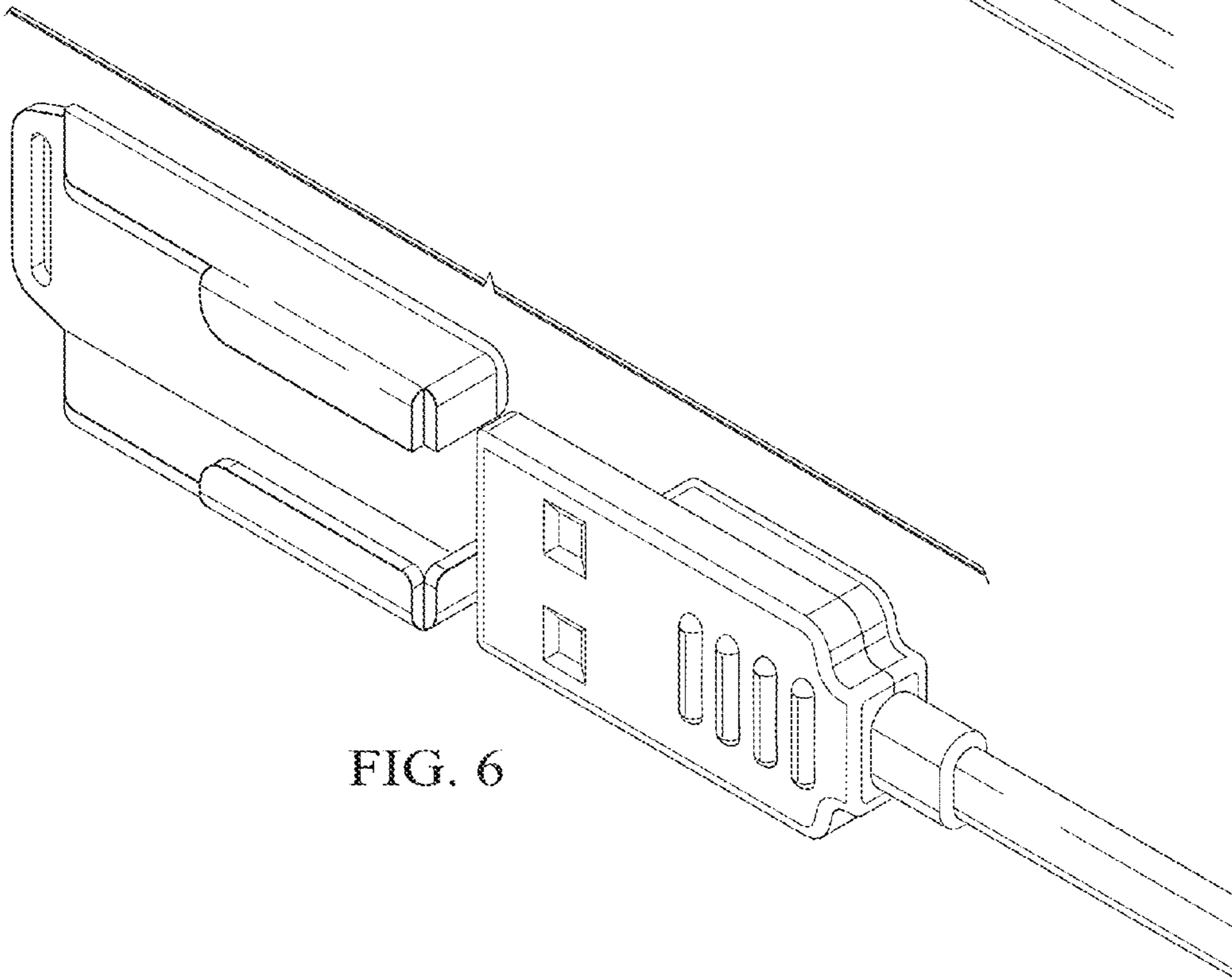


FIG. 6

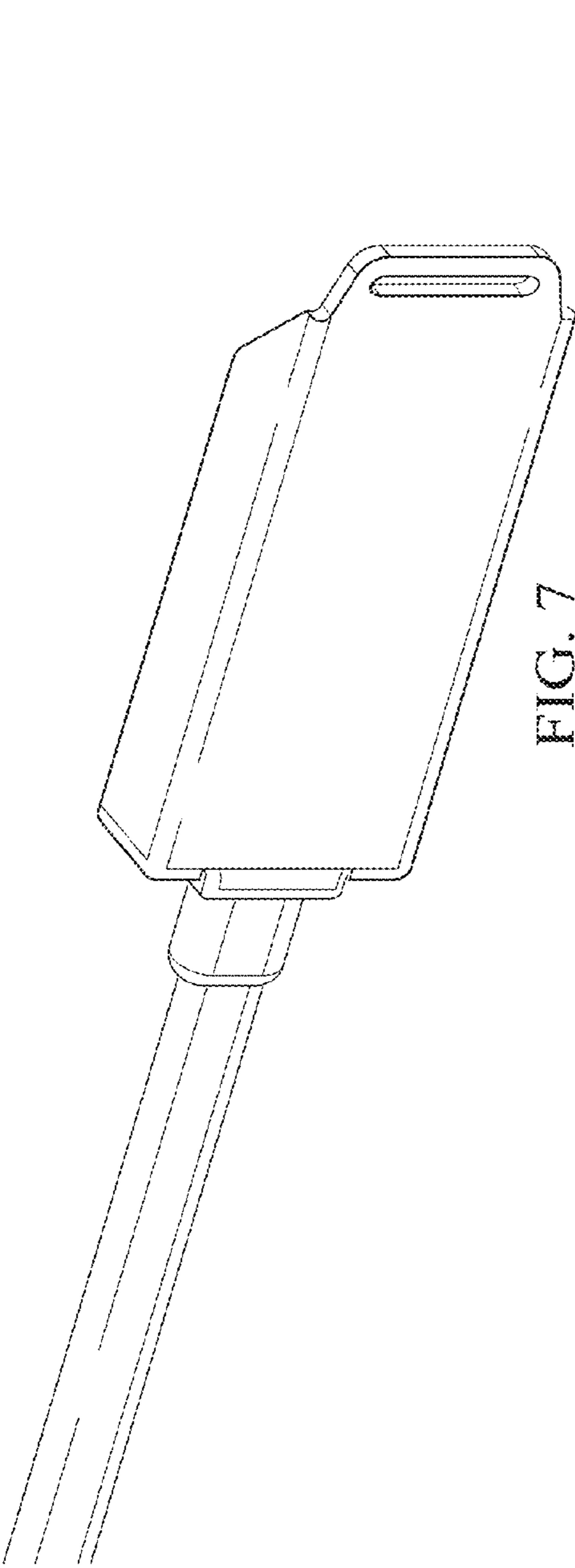


FIG. 7

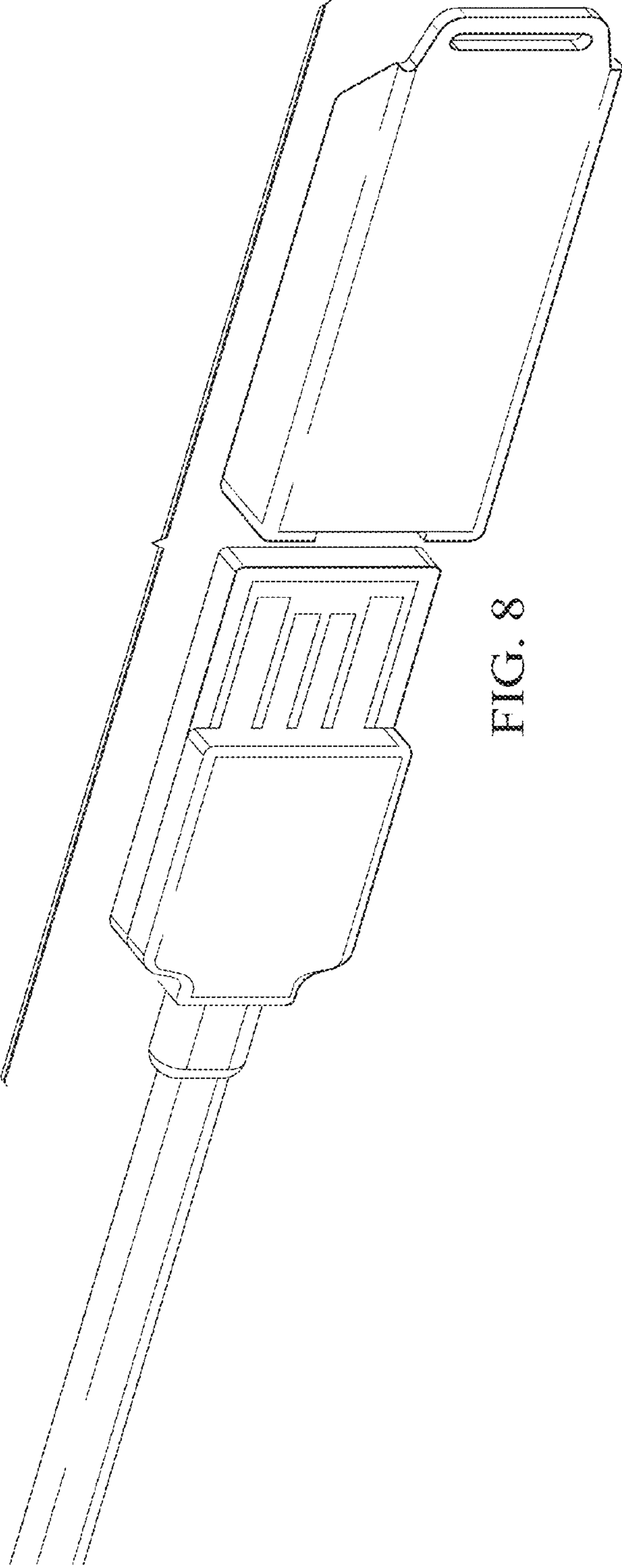


FIG. 8

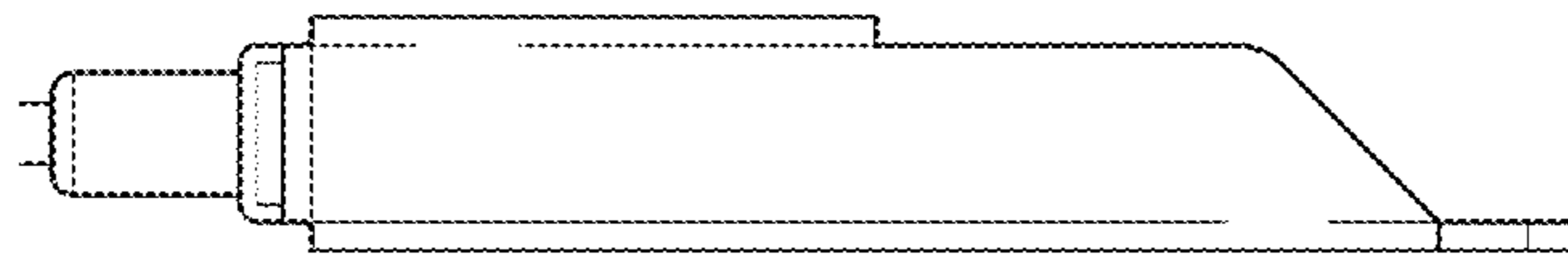


FIG. 9

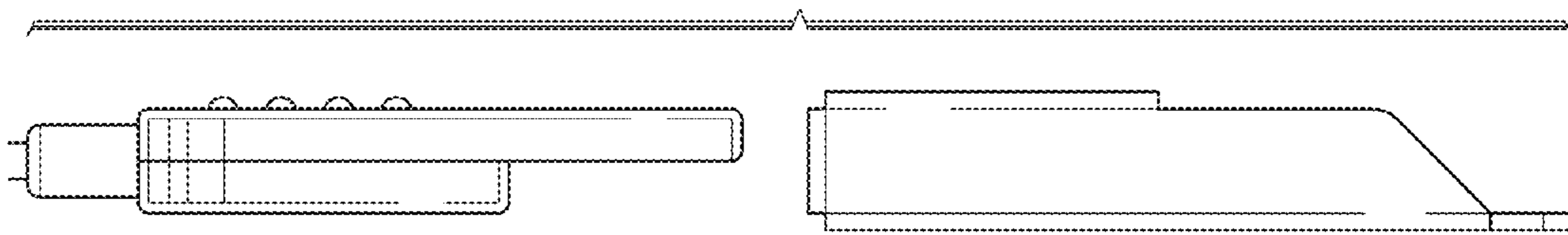


FIG. 10

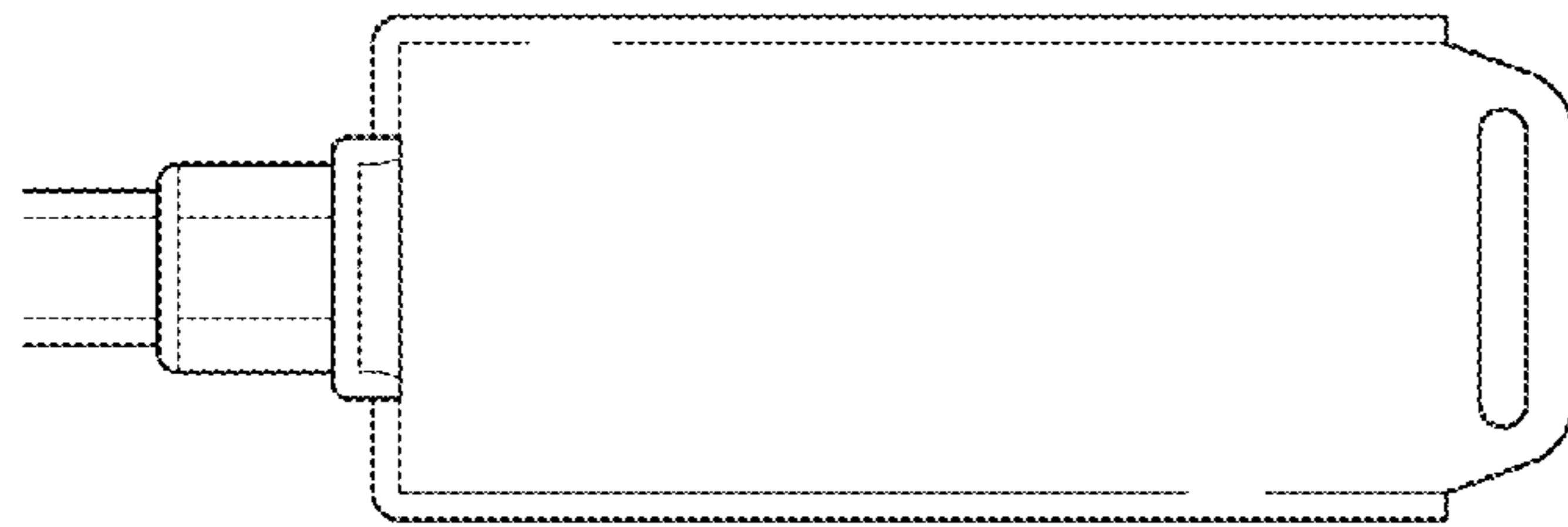


FIG. 11

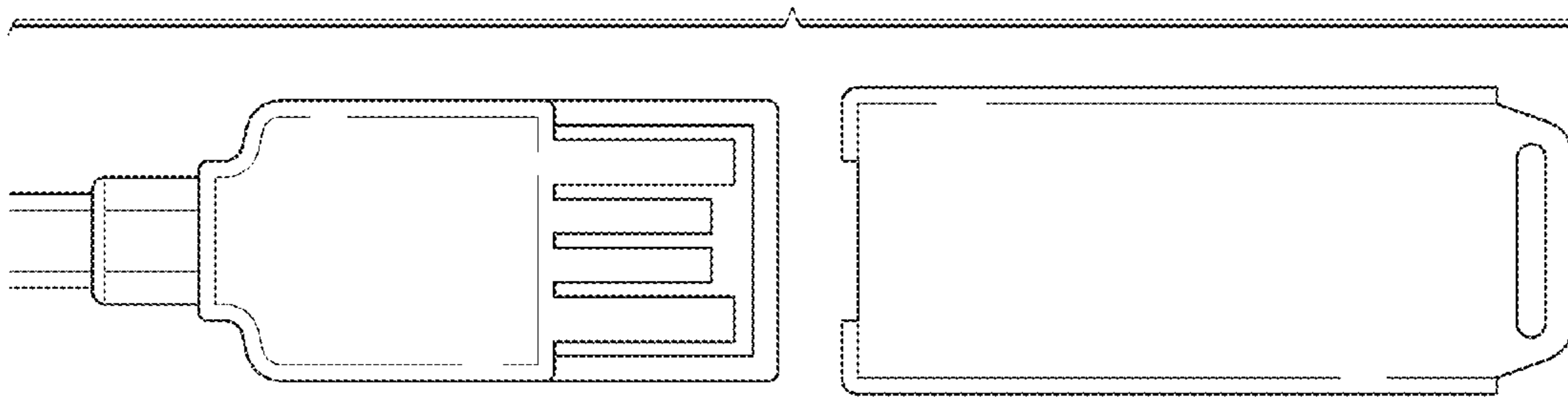


FIG. 12