

US00D738823S

(12) **United States Design Patent**  
**Chen**

(10) **Patent No.:** **US D738,823 S**

(45) **Date of Patent:** **\*\* Sep. 15, 2015**

(54) **WIRELESS CHARGER**

(56) **References Cited**

(71) Applicant: **HON HAI PRECISION INDUSTRY CO., LTD.**, New Taipei (TW)

U.S. PATENT DOCUMENTS

(72) Inventor: **Cheng-Pang Chen**, New Taipei (TW)

D609,636	S	*	2/2010	Jensen	.....	D13/108
D654,431	S	*	2/2012	Stephanchick et al.	.....	D13/108
D694,182	S	*	11/2013	Lee et al.	.....	D13/108
D696,190	S	*	12/2013	Brandtman et al.	.....	D13/108
D700,571	S	*	3/2014	Guccione et al.	.....	D13/108
D706,212	S	*	6/2014	Zwierstra et al.	.....	D13/107
D718,234	S	*	11/2014	Rautiainen	.....	D13/108
D718,236	S	*	11/2014	Murray	.....	D13/108
D720,288	S	*	12/2014	Ko	.....	D13/108
D720,289	S	*	12/2014	Chiang et al.	.....	D13/108
2012/0104999	A1	*	5/2012	Teggatz et al.	.....	320/108
2014/0117926	A1	*	5/2014	Hwu et al.	.....	320/108

(73) Assignee: **FOXCONN INTERCONNECT TECHNOLOGY LIMITED**, Grand Cayman (KY)

(\*\*) Term: **14 Years**

\* cited by examiner

(21) Appl. No.: **29/495,024**

*Primary Examiner* — Rosemary K Tarcza

(22) Filed: **Jun. 26, 2014**

(74) *Attorney, Agent, or Firm* — Ming Chieh Chang; Wei Te Chung

(30) **Foreign Application Priority Data**

Dec. 26, 2013 (TW) ..... 102308386 U

(57) **CLAIM**

(51) **LOC (10) Cl.** ..... **13-02**

The ornamental design for a wireless charger, as shown.

(52) **U.S. Cl.**

**DESCRIPTION**

USPC ..... **D13/108**

(58) **Field of Classification Search**

USPC ..... D14/251, 253, 432, 434; 320/107-115

CPC ..... Y02E 60/12; Y02T 90/14; Y02T 90/122;

Y02T 90/128; Y02T 90/163; H02J 7/025;

H02J 7/0042; H02J 7/0044; H02J 7/0045;

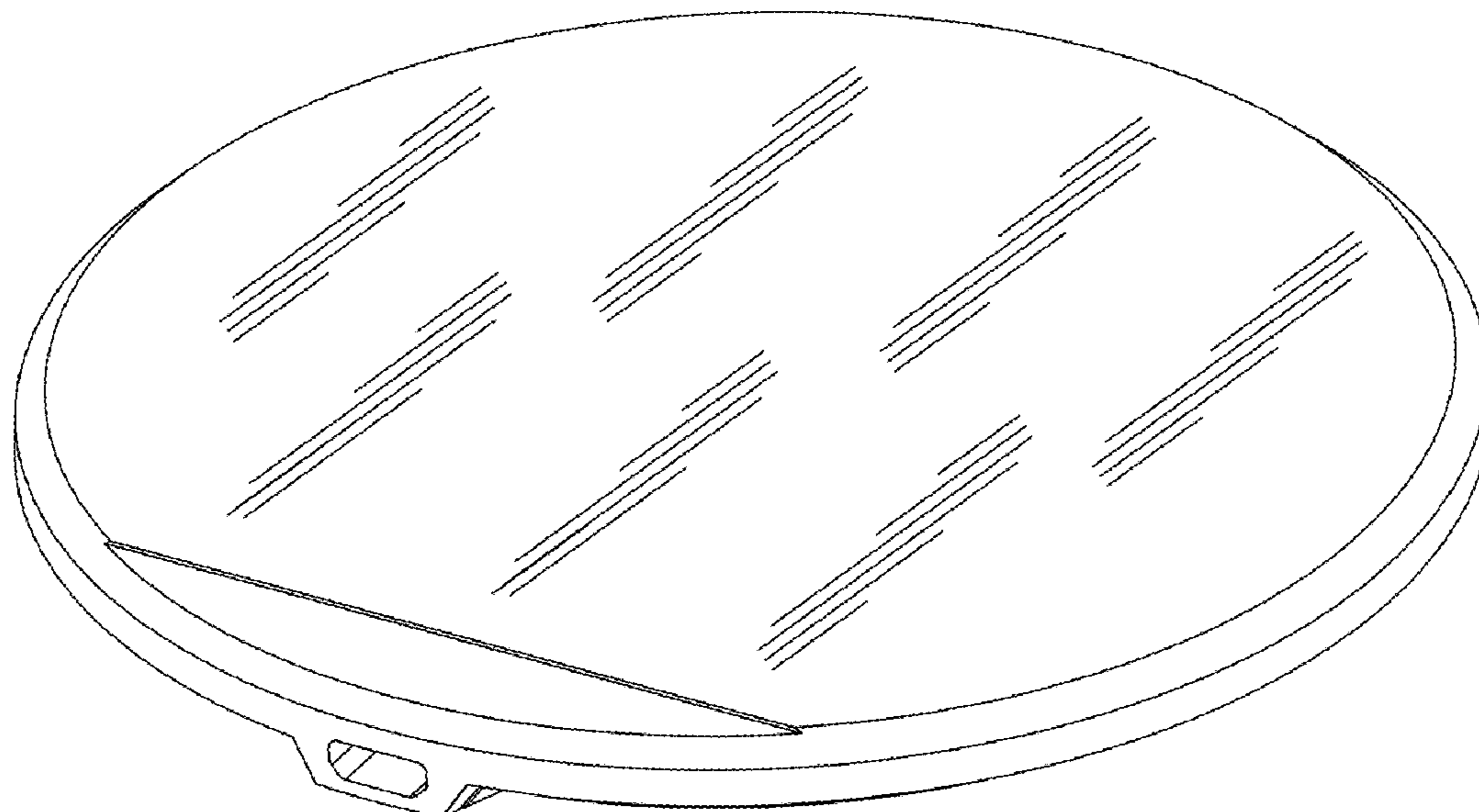
H02J 7/0003; H01F 38/14; H01R 13/6675;

H01M 2/1022; H01M 2/1055; H01M 10/44;

H01M 10/46; H01M 10/425; B60L 11/182

See application file for complete search history.

**1 Claim, 7 Drawing Sheets**



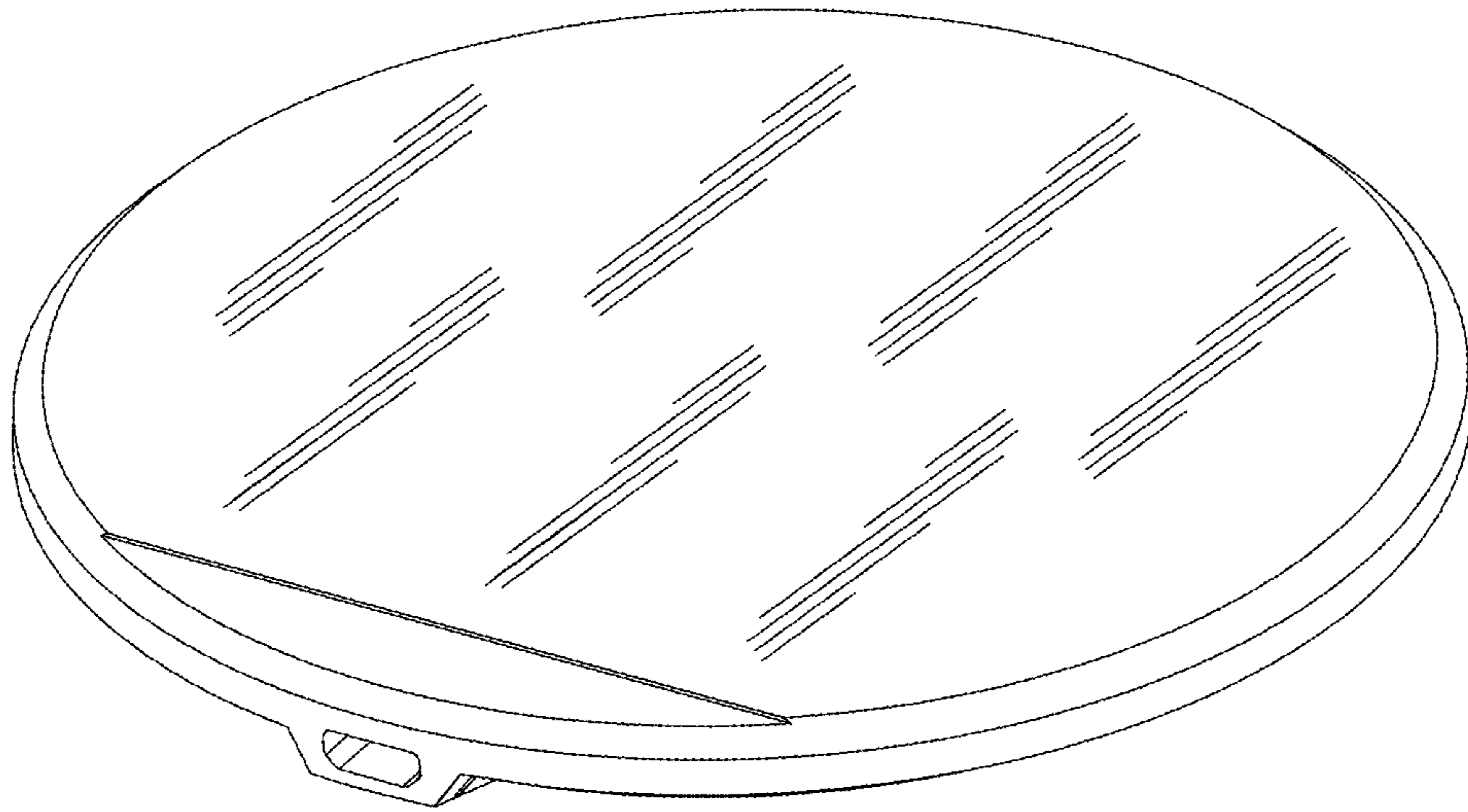


FIG. 1

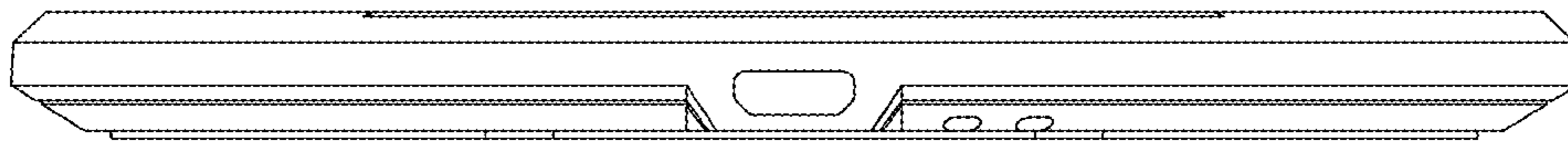


FIG. 2

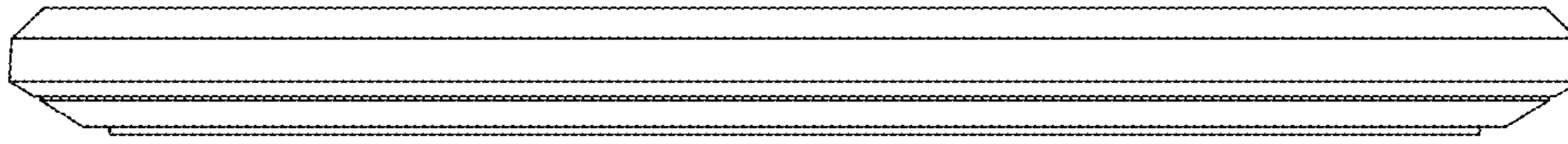


FIG. 3



FIG. 4

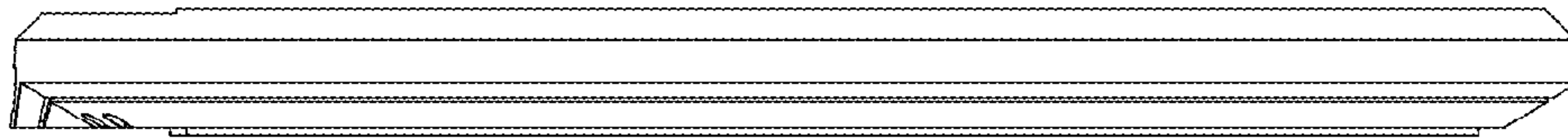


FIG. 5

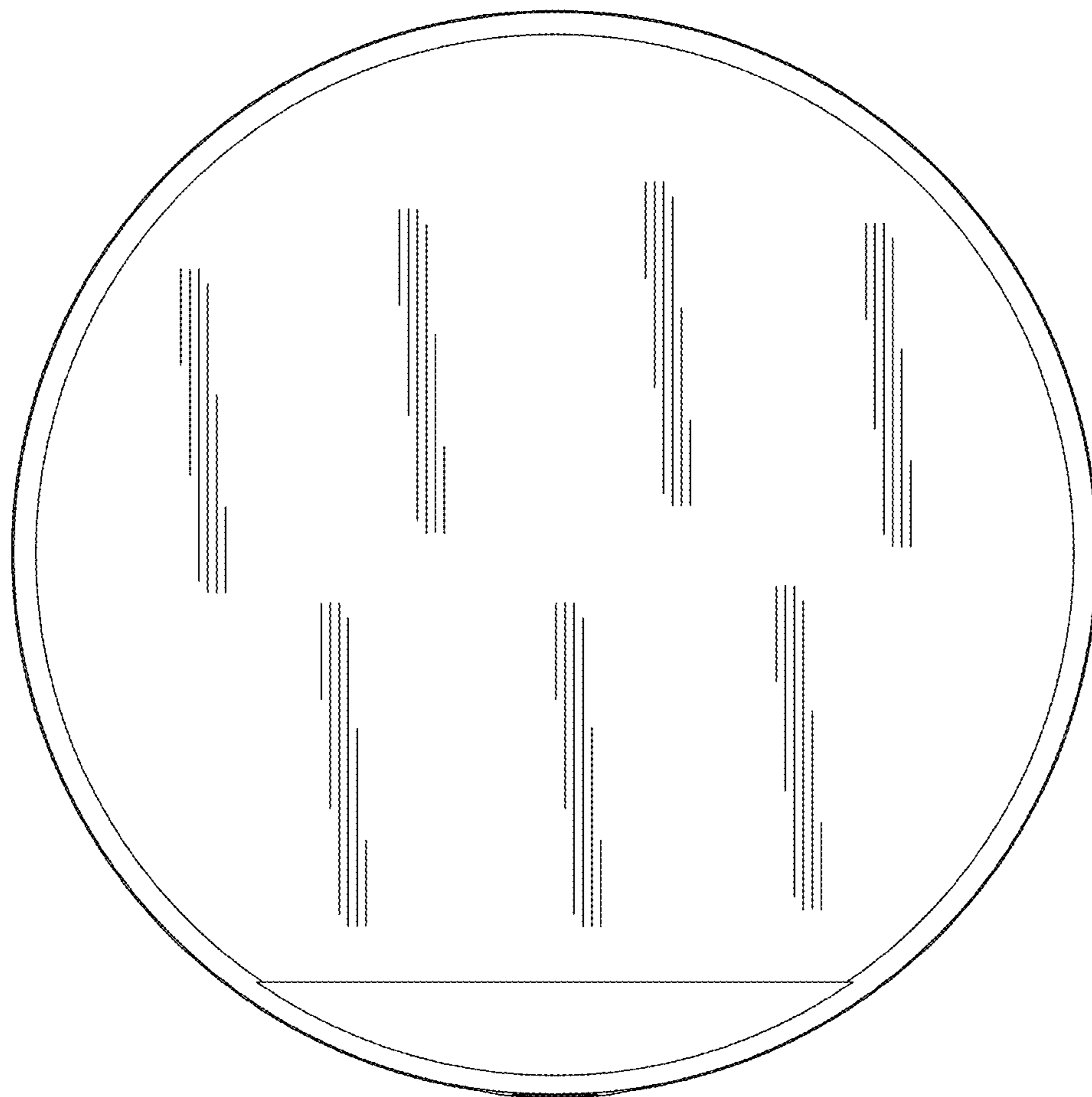


FIG. 6

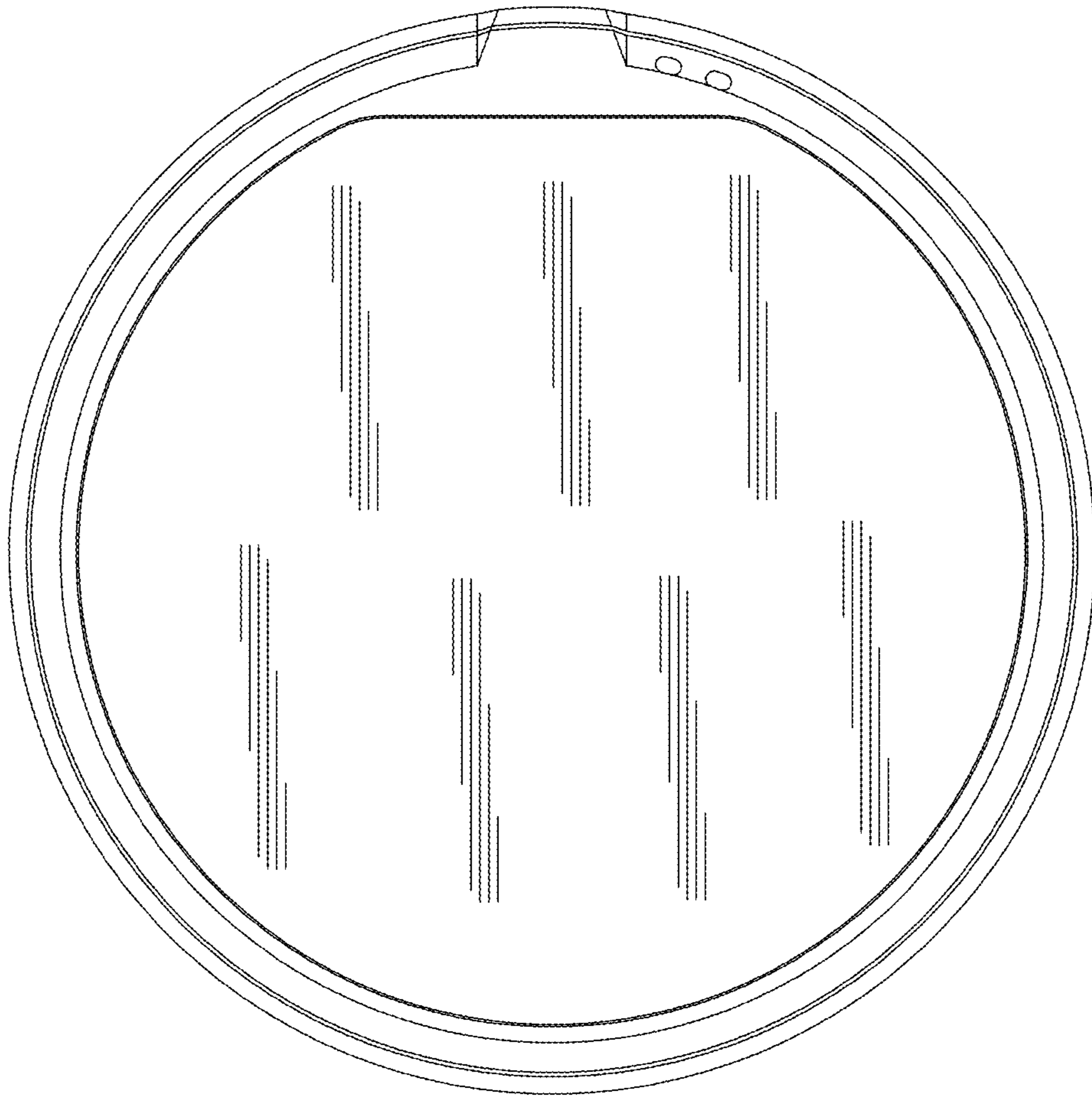


FIG. 7