



US00D738822S

(12) **United States Design Patent**  
**Stewart**

(10) **Patent No.:** **US D738,822 S**

(45) **Date of Patent:** **\*\* Sep. 15, 2015**

(54) **DEVICE FOR CHARGING ELECTRONICS**

(71) Applicant: **Brian Stewart**, Indianapolis, IN (US)

(72) Inventor: **Brian Stewart**, Indianapolis, IN (US)

(\*\*) Term: **14 Years**

(21) Appl. No.: **29/490,318**

(22) Filed: **May 8, 2014**

(51) **LOC (10) Cl.** ..... **13-02**

(52) **U.S. Cl.**  
USPC ..... **D13/108**

(58) **Field of Classification Search**  
USPC ..... D13/107–110, 118–119, 182, 199;  
D14/251, 253, 432, 434; 320/107–115  
CPC ..... Y02E 60/12; Y02T 90/14; Y02T 90/122;  
Y02T 90/128; Y02T 90/163; H02J 7/025;  
H02J 7/0042; H02J 7/0044; H02J 7/0045;  
H02J 7/0003; H01F 38/14; H01R 13/6675;  
H01M 2/1022; H01M 2/1055; H01M 10/44;  
H01M 10/46; H01M 10/425; B60L 11/182  
See application file for complete search history.

(56) **References Cited**

**U.S. PATENT DOCUMENTS**

D648,270 S	*	11/2011	Jiang	.....	D13/103
D657,743 S	*	4/2012	Andre et al.	.....	D13/110
D662,473 S	*	6/2012	Andre et al.	.....	D13/110
D682,781 S	*	5/2013	Wakafuji et al.	.....	D13/110
D694,183 S	*	11/2013	Matsuoka et al.	.....	D13/110
D694,185 S	*	11/2013	Matsuoka et al.	.....	D13/110
D704,135 S	*	5/2014	Stewart et al.	.....	D13/108
D711,824 S	*	8/2014	Matsuoka et al.	.....	D13/110
D715,734 S	*	10/2014	Levy	.....	D13/110

D718,714 S	*	12/2014	Si	.....	D13/110
D718,715 S	*	12/2014	Si	.....	D13/110
2014/0335919 A1	*	11/2014	Stewart et al.	.....	455/573
2014/0370742 A1	*	12/2014	Andre et al.	.....	439/501

\* cited by examiner

*Primary Examiner* — Rosemary K Tarcza

(74) *Attorney, Agent, or Firm* — C. John Brannon; Brannon Sowers and Cracraft

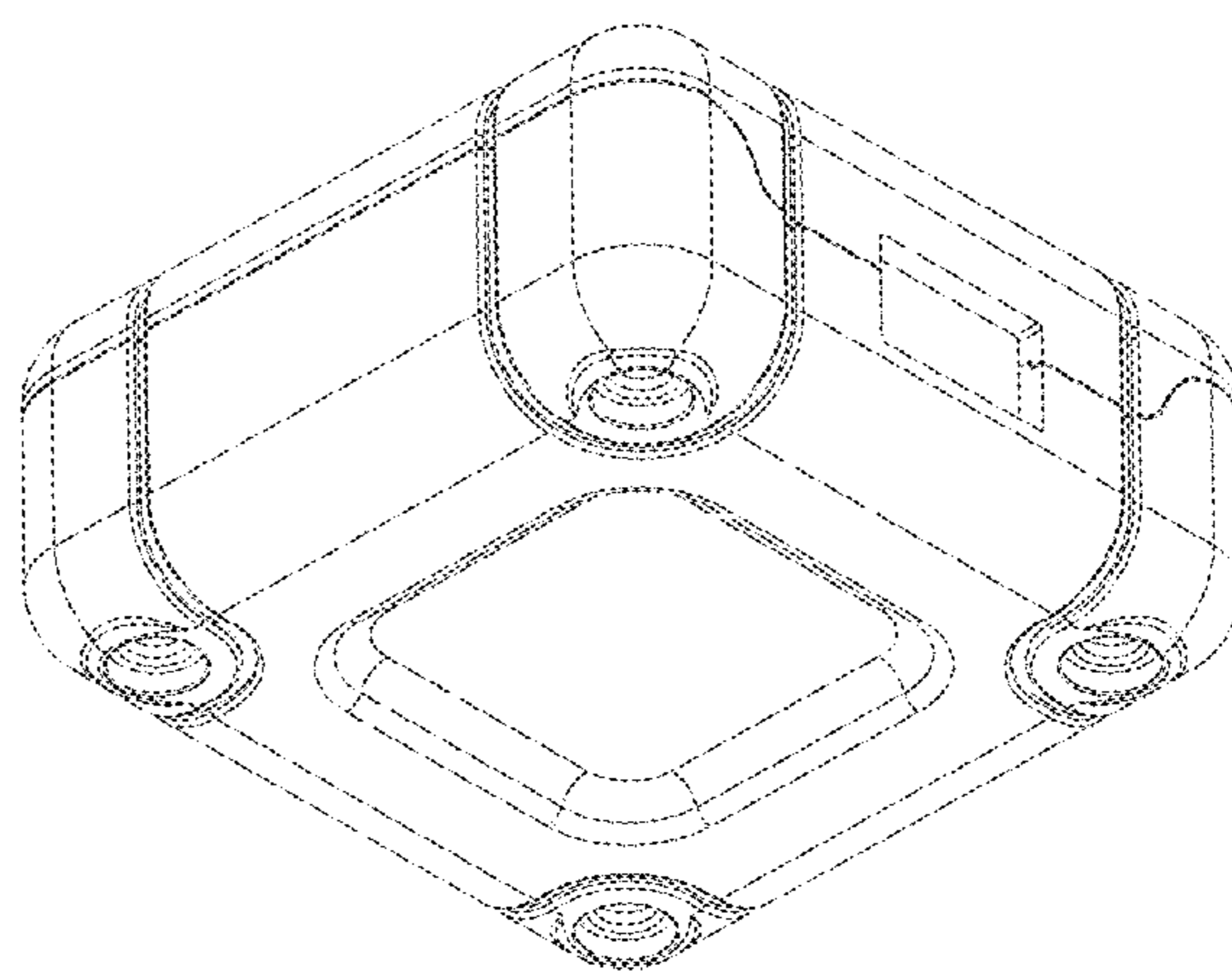
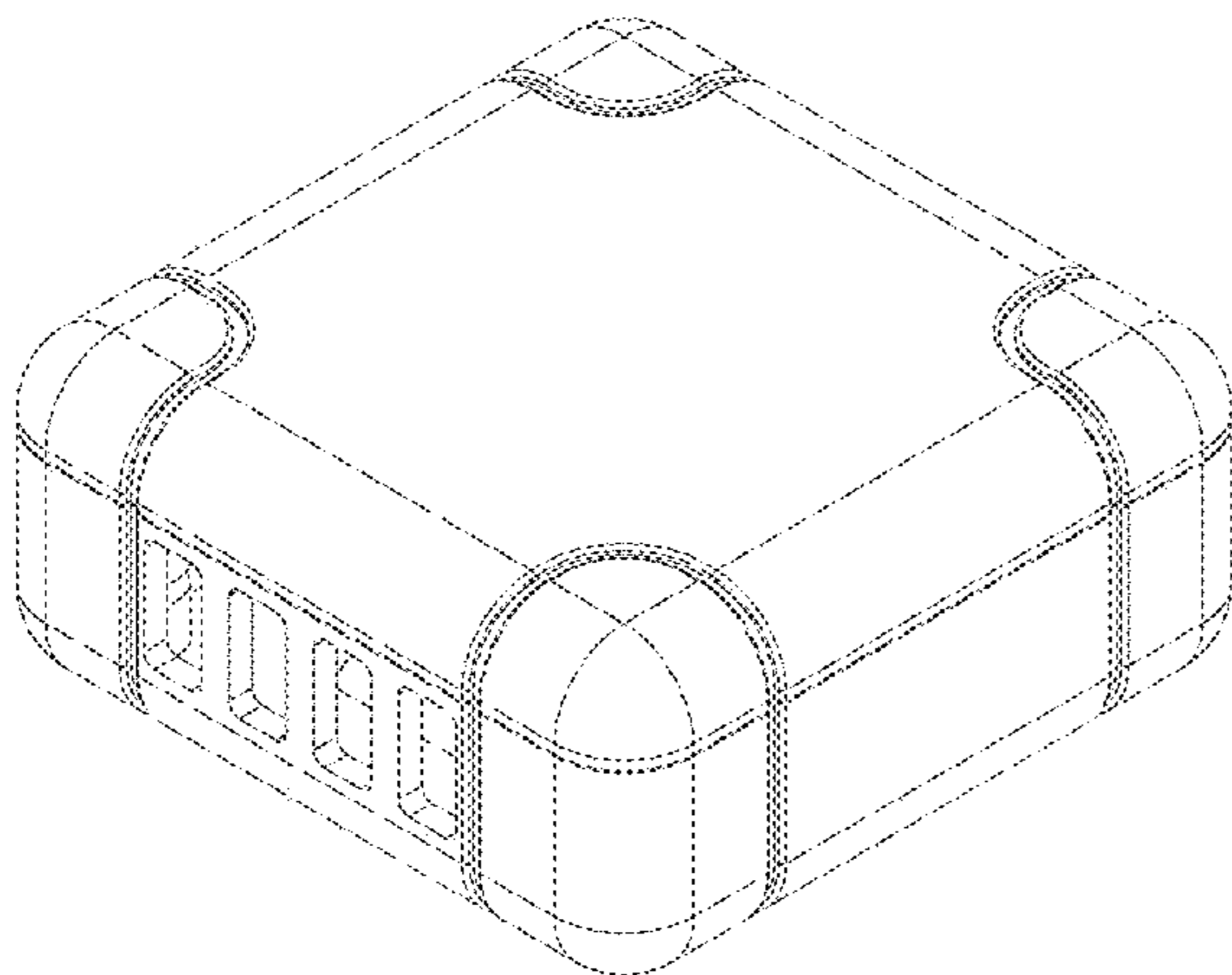
(57) **CLAIM**

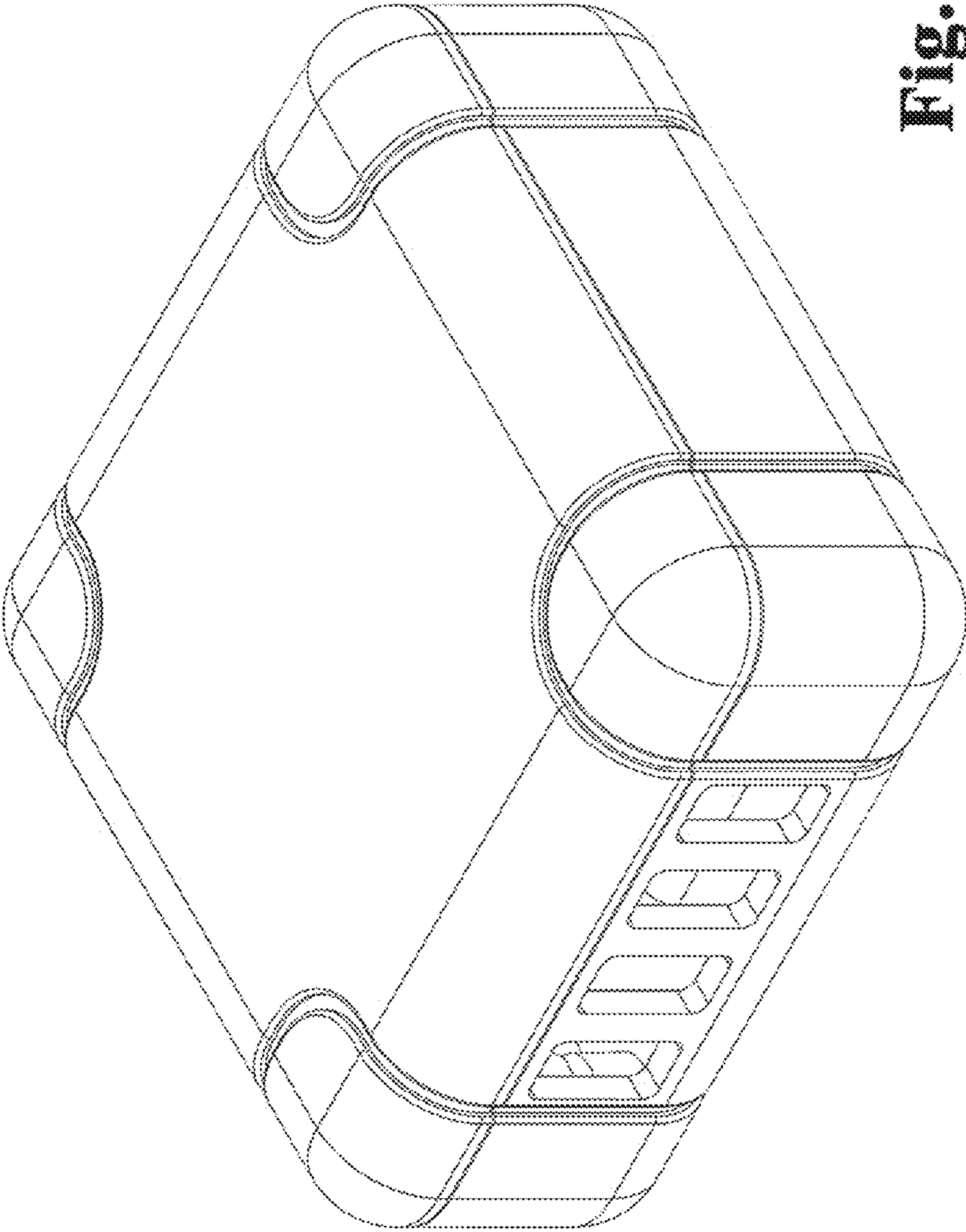
The ornamental design for an electronic charging device, as shown and described.

**DESCRIPTION**

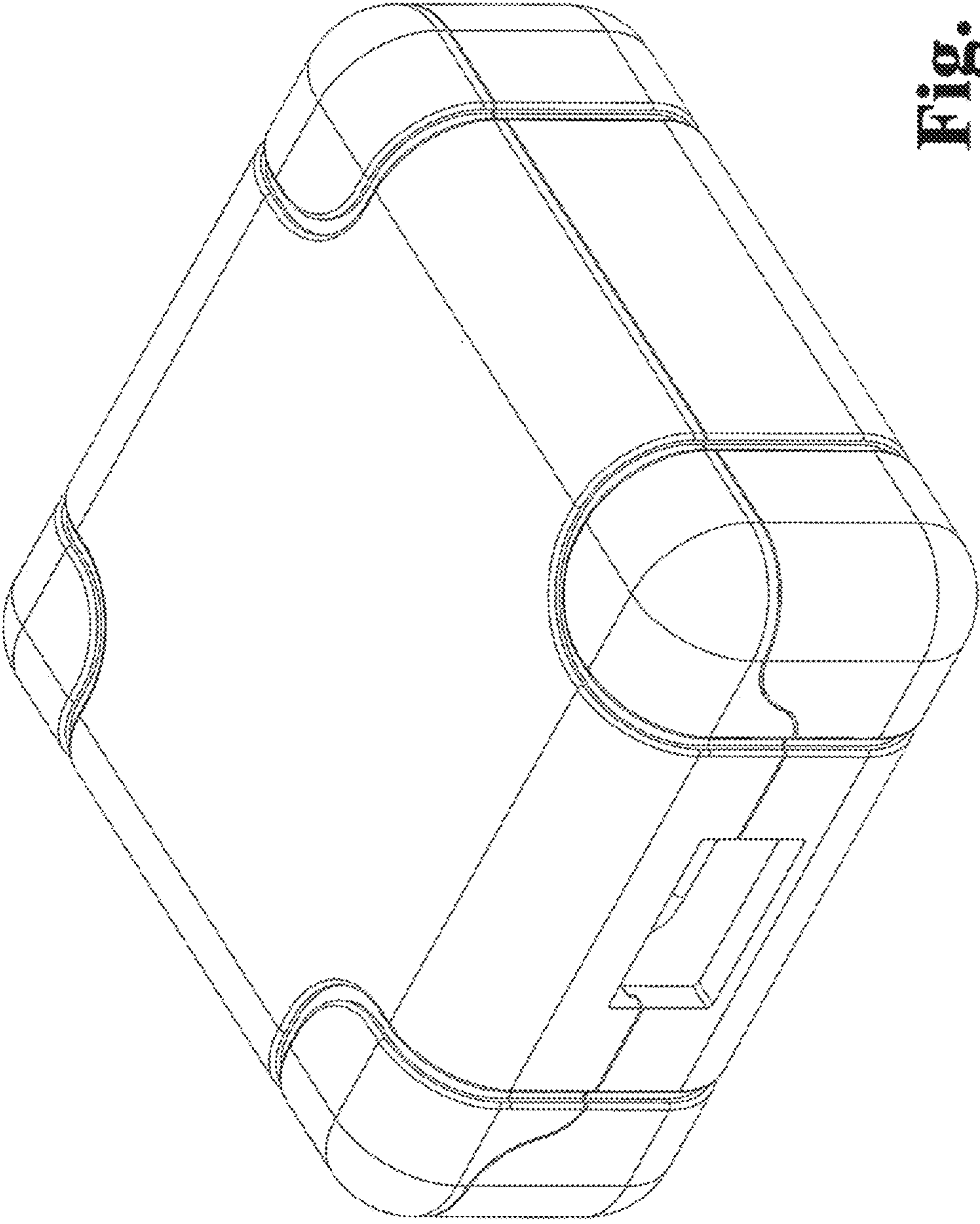
FIG. 1 is a top-front perspective view of one embodiment of an electronic charging device showing my new design. FIG. 2 is a top-rear perspective view of the embodiment of the electronic charging device shown in FIG. 1. FIG. 3 is a bottom perspective view of the embodiment of the electronic charging device shown in FIG. 1. FIG. 4 is a top plan view of the embodiment of the electronic charging device shown in FIG. 1. FIG. 5 is a front elevational view of the embodiment of the electronic charging device as shown in FIG. 1. FIG. 6 is a right elevational view of the embodiment of the electronic charging device as shown in FIG. 1. FIG. 7 is a left elevational view of the embodiment of the electronic charging device as shown in FIG. 1. FIG. 8 is a rear elevational view of the embodiment of the electronic charging device as shown in FIG. 1; and, FIG. 9 is a bottom plan view of the embodiment of the electronic charging device shown in FIG. 1.

**1 Claim, 6 Drawing Sheets**





**Fig. 1**



**Fig. 2**

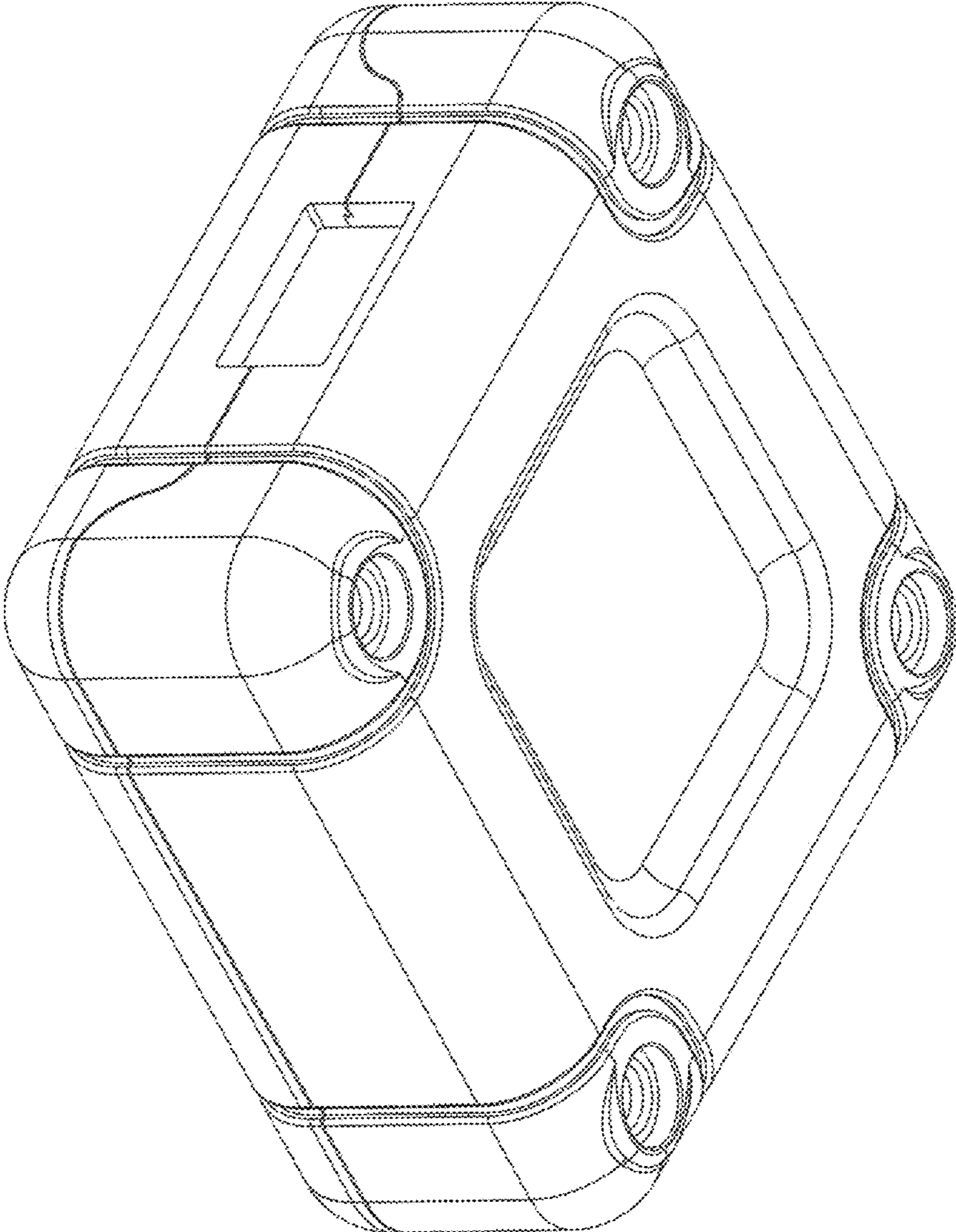
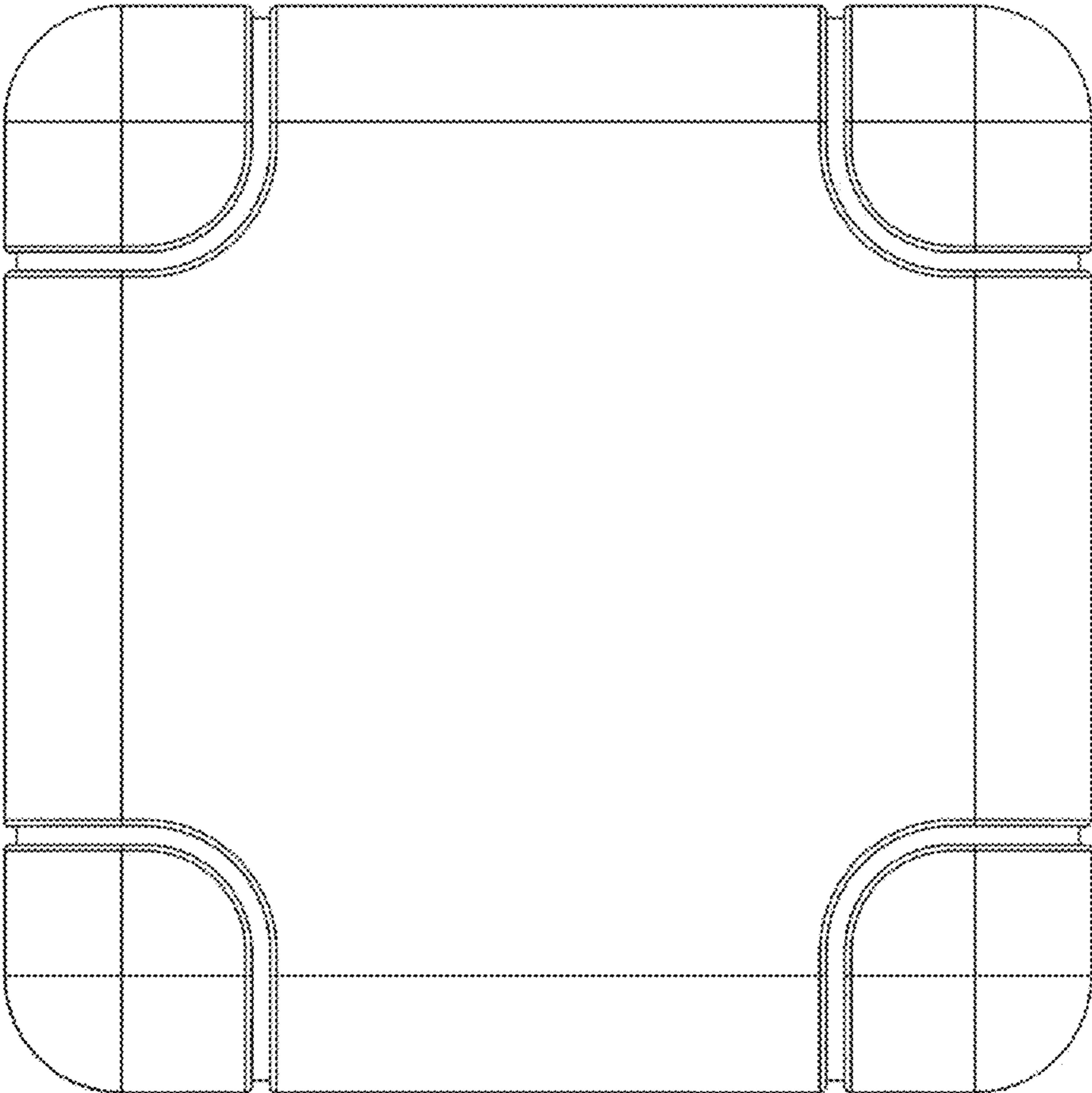
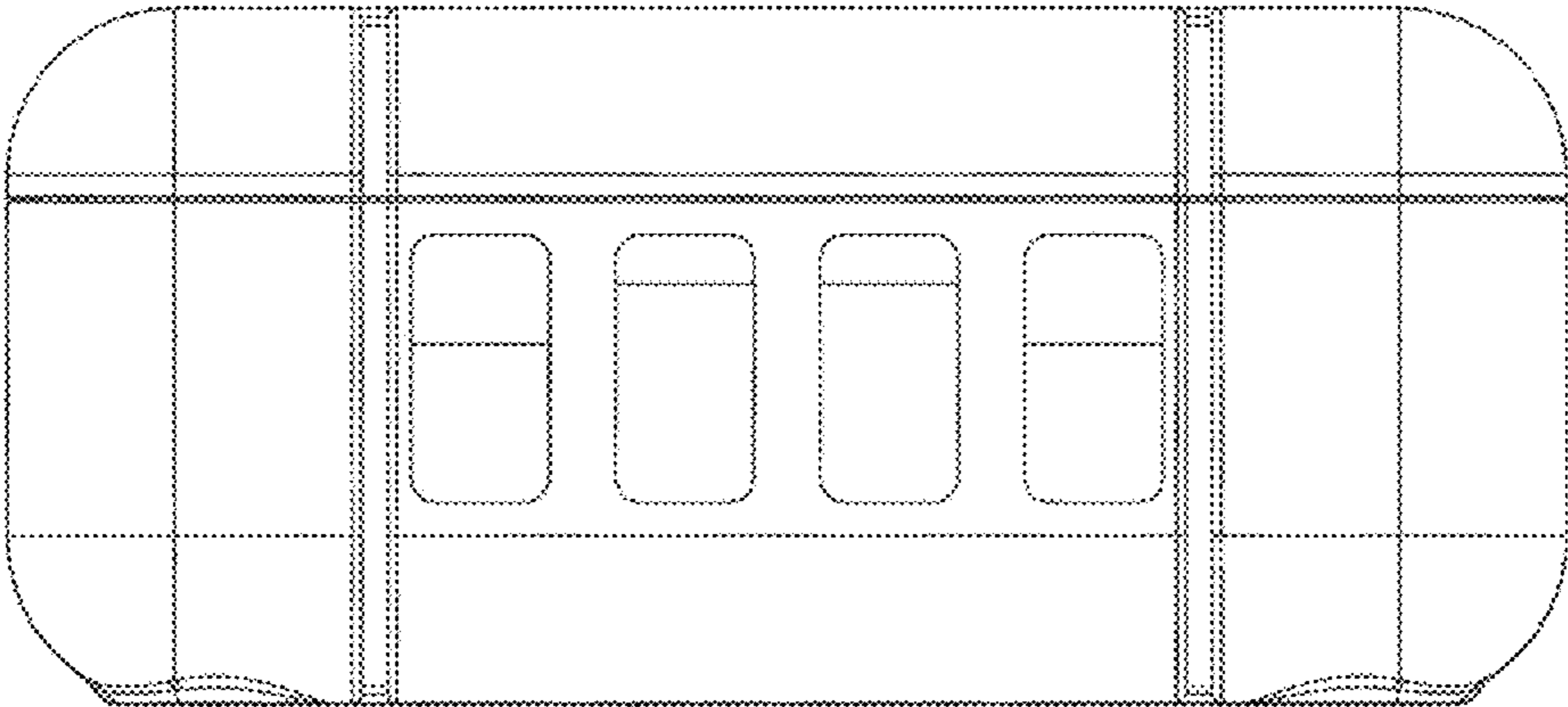


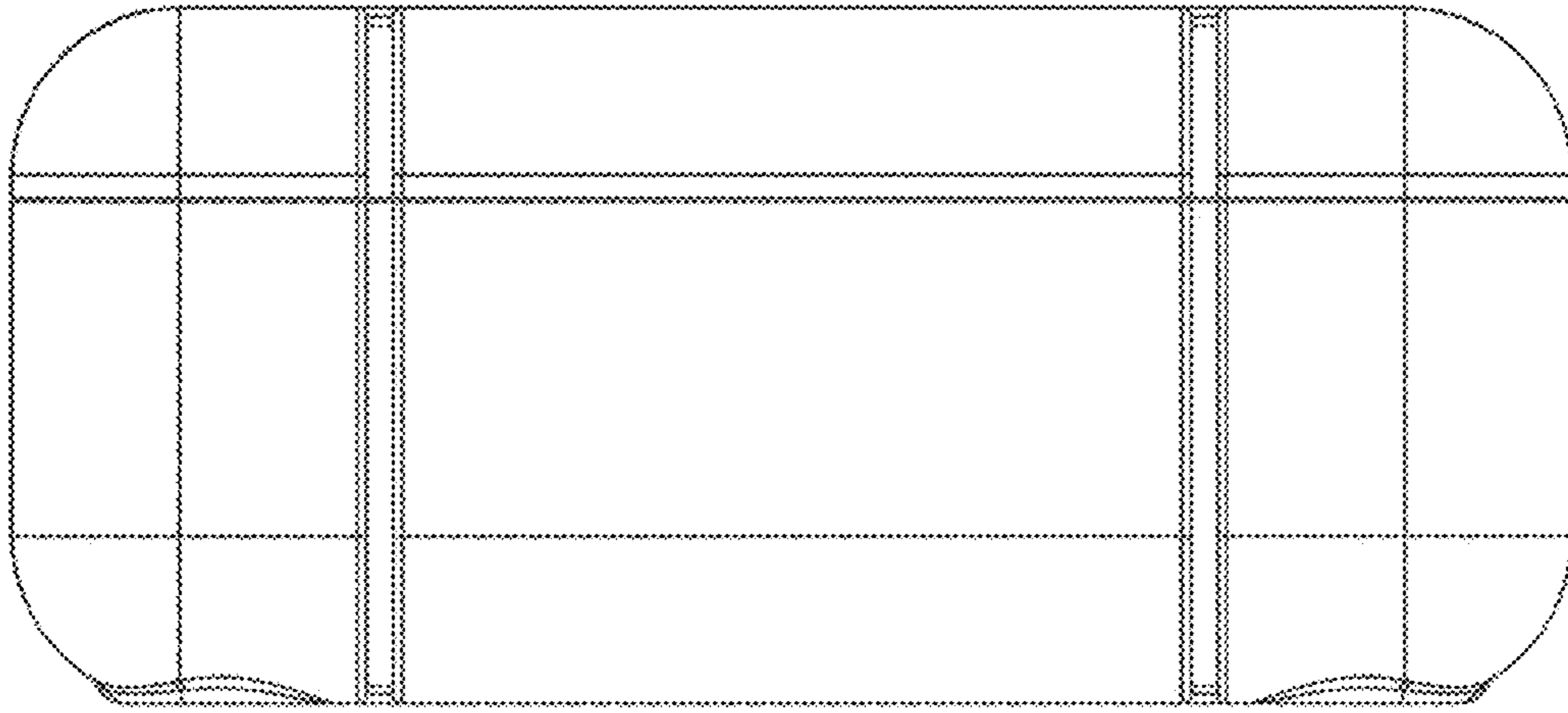
Fig. 3



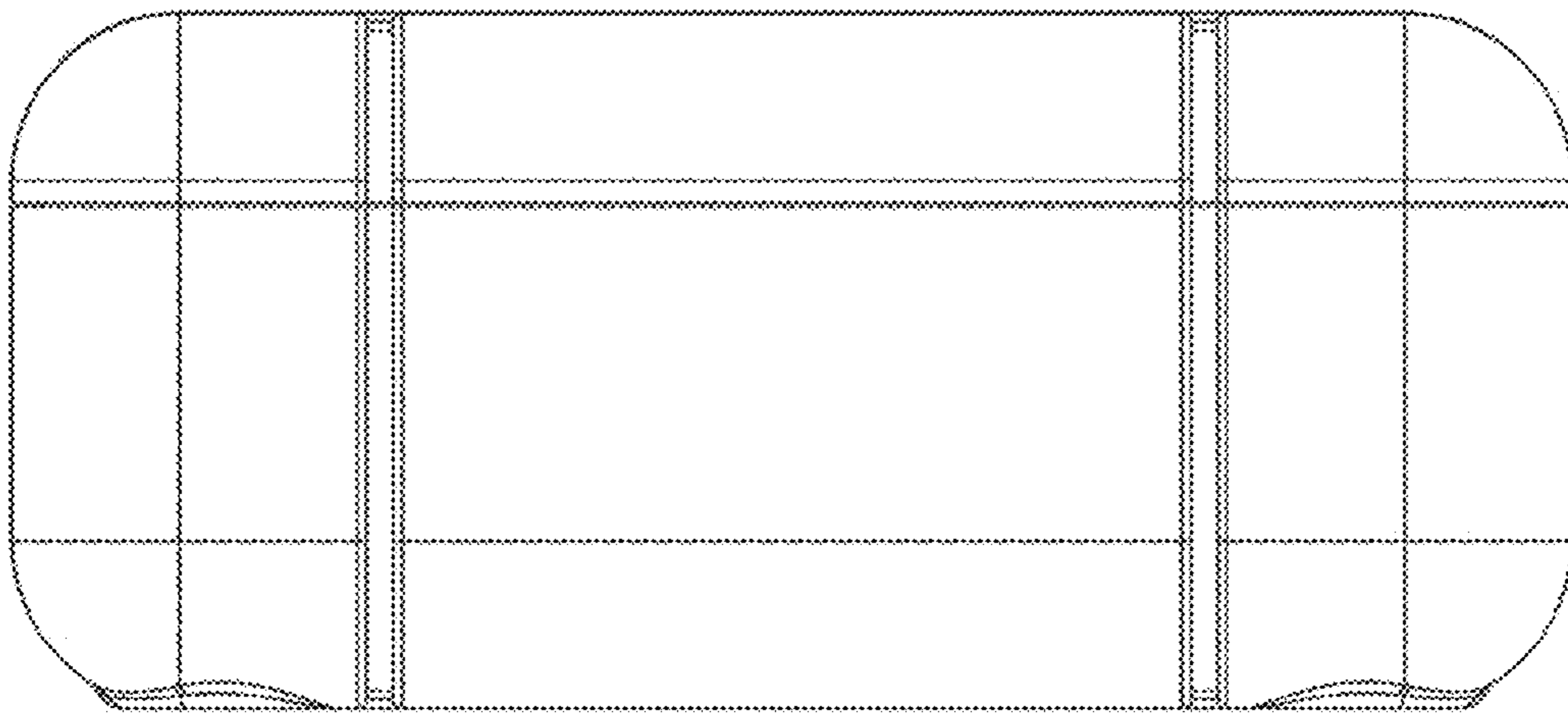
**Fig. 4**



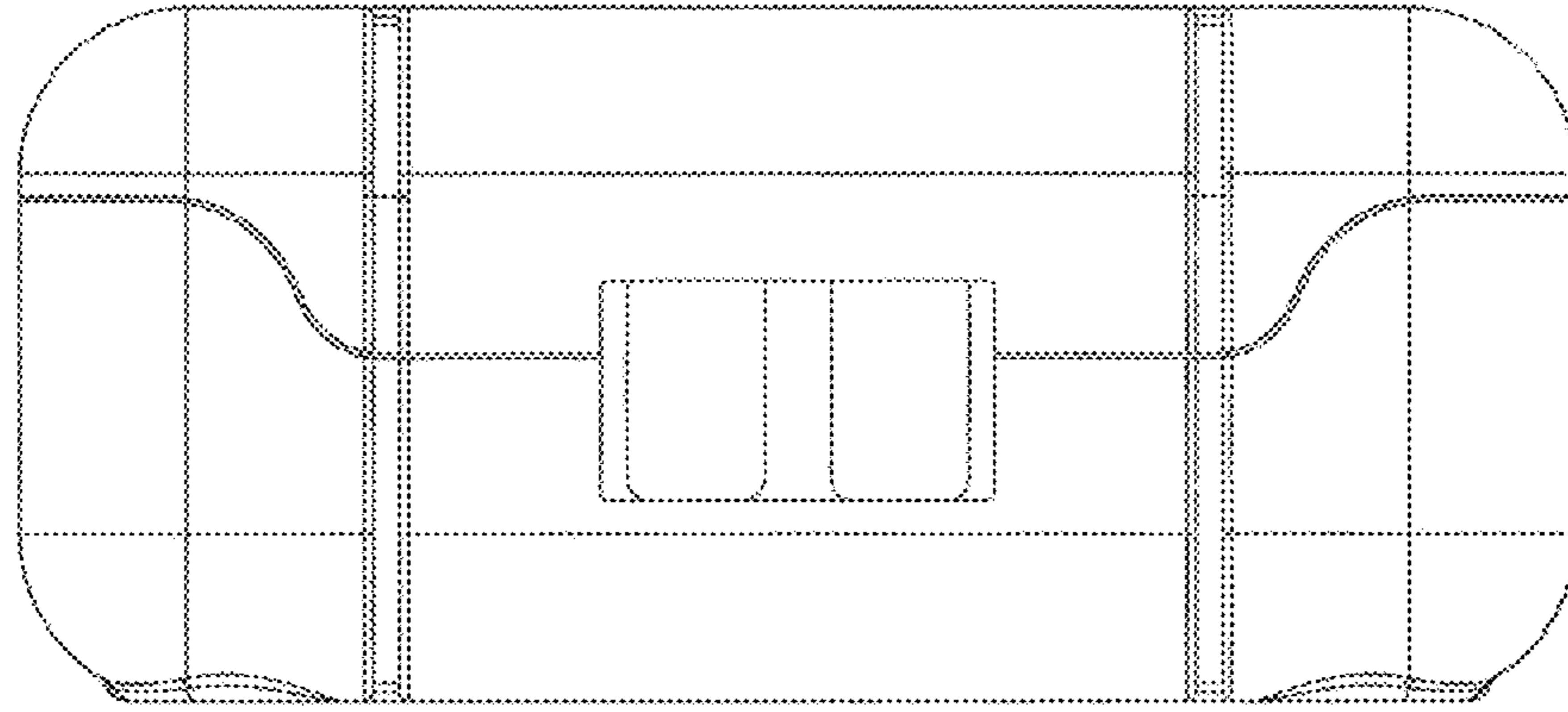
**Fig. 5**



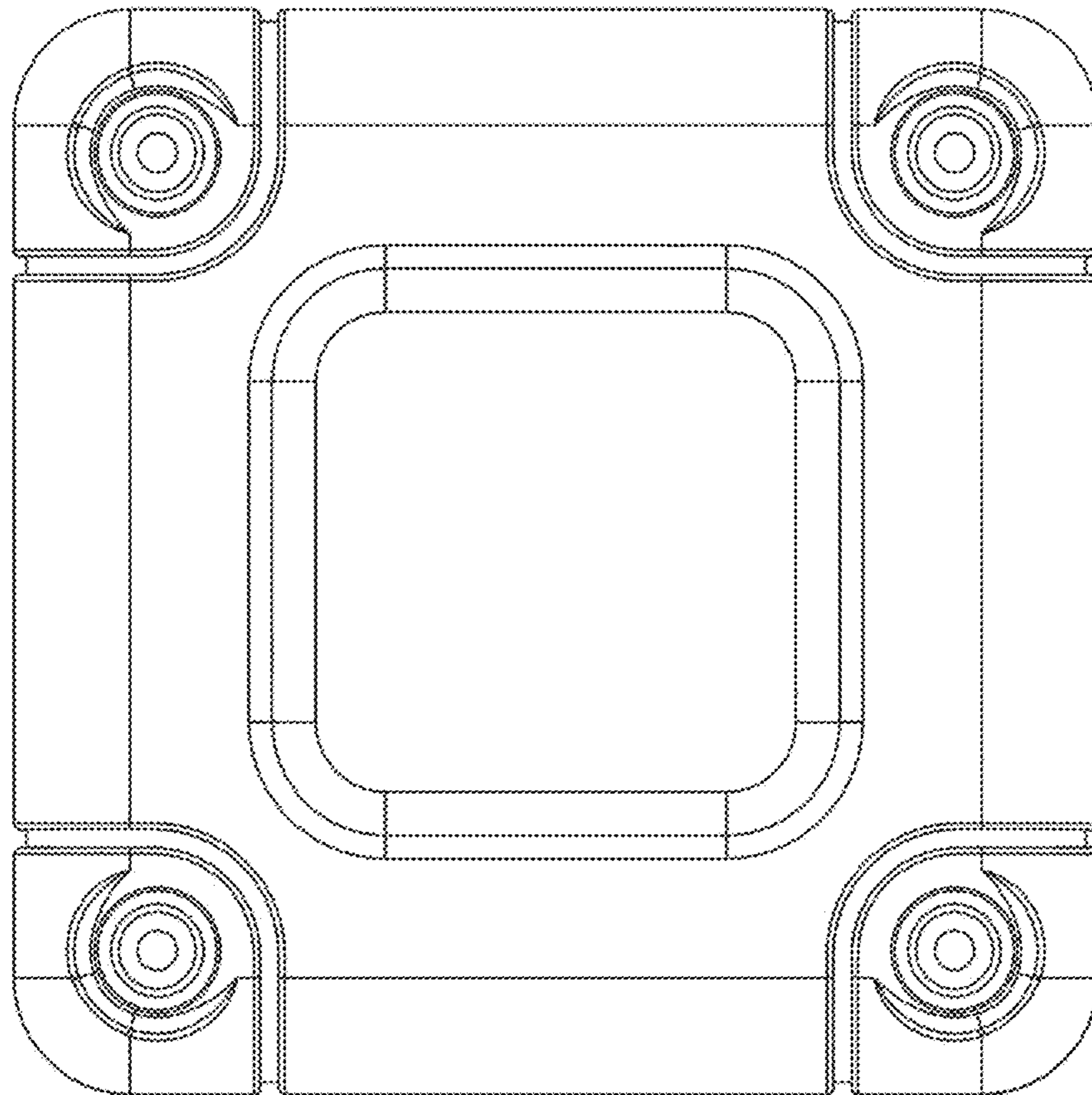
**Fig. 6**



**Fig. 7**



**Fig. 8**



**Fig. 9**