

US00D738821S

(12) **United States Design Patent**
Banko et al.

(10) **Patent No.:** **US D738,821 S**
(45) **Date of Patent:** **** Sep. 15, 2015**

- (54) **BATTERY**
- (71) Applicant: **Apple Inc.**, Cupertino, CA (US)
- (72) Inventors: **Joshua D. Banko**, Palo Alto, CA (US);
Kevin David Gibbs, Menlo Park, CA (US); **Richard P. Howarth**, San Francisco, CA (US); **Stephen McClure**, San Francisco, CA (US); **John P. Ternus**, Redwood City, CA (US)
- (73) Assignee: **Apple Inc.**, Cupertino, CA (US)
- (**) Term: **14 Years**
- (21) Appl. No.: **29/450,501**
- (22) Filed: **Mar. 18, 2013**

Related U.S. Application Data

- (63) Continuation of application No. 29/376,055, filed on Sep. 30, 2010, now Pat. No. Des. 678,184.
- (51) **LOC (10) Cl.** **13-02**
- (52) **U.S. Cl.**
USPC **D13/103**
- (58) **Field of Classification Search**
USPC D13/102-106, 110, 118-119, 184;
429/96-100, 163, 176
CPC Y02E 60/12; Y02E 60/122; Y02E 60/124;
Y02E 60/50; H01M 2/02; H01M 2/022;
H01M 2/0202; H01M 2/0207; H01M 2/0212;
H01M 2/1061; H01M 2/1022; H01M 2/1055;
H01M 2/1066; H01M 2/105; H01M 2/204;
H01M 10/4257; H01M 10/0436; H01M 10/48
See application file for complete search history.

(56) **References Cited**

U.S. PATENT DOCUMENTS

D320,649 S	10/1991	Fleming
5,180,644 A	1/1993	Bresin et al.

D348,247 S	6/1994	Cooper	
5,326,651 A	7/1994	Mehta et al.	
D356,992 S	4/1995	Dilgard	
5,436,089 A	7/1995	Fedele	
D374,424 S	10/1996	Nagele et al.	
5,601,942 A	2/1997	Fedele	
D409,973 S	5/1999	Iwamoto et al.	
D422,263 S *	4/2000	Waldner	D13/103
D479,193 S	9/2003	Fujihara et al.	
D485,530 S *	1/2004	Ogasawara	D13/103
6,884,540 B2 *	4/2005	Chikada	429/99
D519,919 S	5/2006	Yokota	
D532,363 S *	11/2006	Morisawa	D13/103
7,595,129 B2	9/2009	Kato	
D614,124 S	4/2010	Mistyurik	
D635,506 S *	4/2011	Morisawa	D13/103
D637,157 S *	5/2011	Andre et al.	D13/119

(Continued)

OTHER PUBLICATIONS

U.S. Appl. No. 29/448,484, Corbin et al., "Battery Module", filed Mar. 12, 2013 (Not Published).

Primary Examiner — Rosemary K Tarcza

(74) *Attorney, Agent, or Firm* — Sterne, Kessler, Goldstein & Fox P.L.L.C.

(57) **CLAIM**

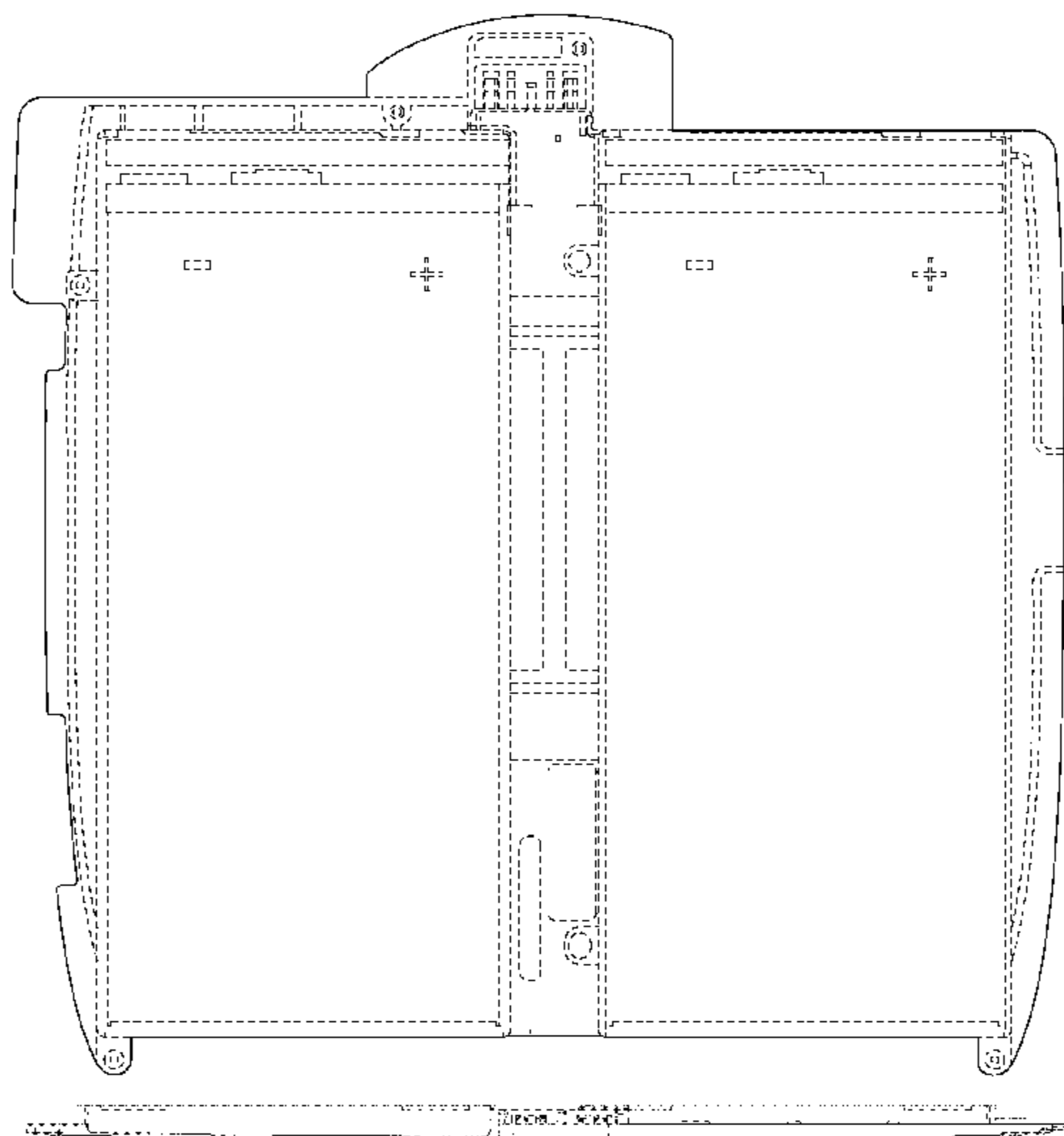
The ornamental design for a battery, as shown and described.

DESCRIPTION

FIG. 1 is a front view of a battery showing our new design;
 FIG. 2 is a rear view thereof;
 FIG. 3 is a top plan view thereof;
 FIG. 4 is a bottom view thereof;
 FIG. 5 is a left side view thereof; and,
 FIG. 6 is a right side view thereof.

The broken lines in the Figures show portions of the battery that form no part of the claimed design.

1 Claim, 4 Drawing Sheets



(56)

References Cited

U.S. PATENT DOCUMENTS

D642,515 S	8/2011	Crawford	
D655,673 S *	3/2012	Masui	D13/103
D658,583 S *	5/2012	Andre et al.	D13/119
D669,849 S *	10/2012	Morisawa	D13/103
D672,713 S *	12/2012	Masui	D13/103
D677,620 S *	3/2013	Corbin et al.	D13/103
D678,184 S *	3/2013	Banko et al.	D13/103
D684,529 S *	6/2013	Moon et al.	D13/103
D684,530 S *	6/2013	Moon et al.	D13/103
D684,531 S *	6/2013	Moon et al.	D13/103
D686,147 S *	7/2013	Morisawa	D13/103
D686,154 S *	7/2013	Hsu et al.	D13/103
D689,018 S *	9/2013	Honda et al.	D13/103
D692,823 S *	11/2013	Tanaka	D13/103
D697,479 S *	1/2014	Andre et al.	D13/119
D700,135 S *	2/2014	Sato et al.	D13/103
D708,128 S *	7/2014	Andre et al.	D13/103
D711,311 S *	8/2014	Corbin et al.	D13/103
D719,085 S *	12/2014	Aoyagi et al.	D13/103
D719,087 S *	12/2014	Bataillou et al.	D13/103
2002/0094475 A1	7/2002	Aoyama	

* cited by examiner

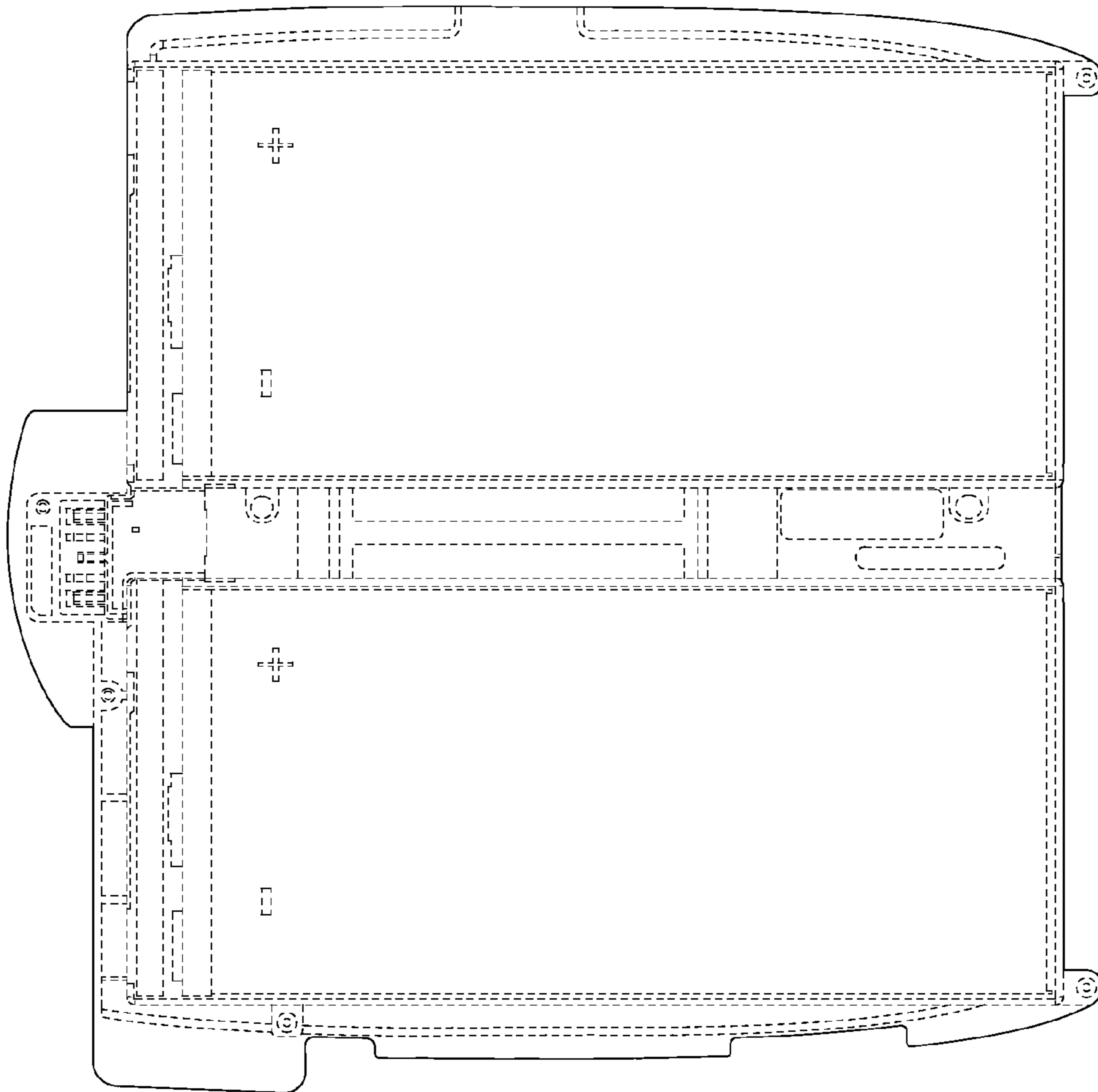


FIG. 1

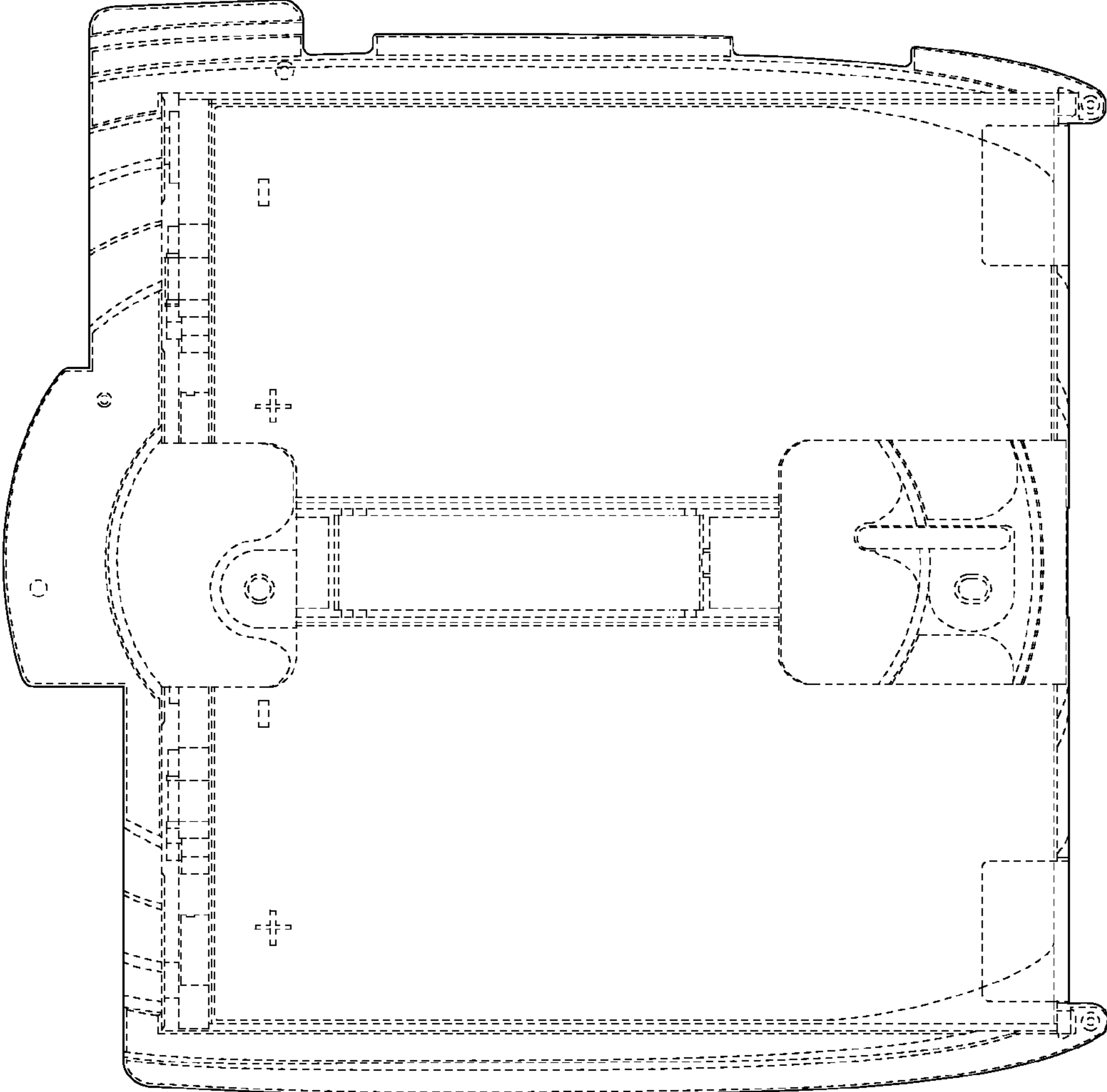


FIG.2



FIG. 3

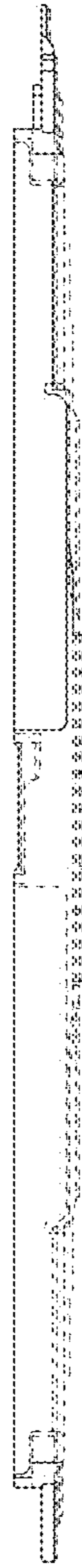


FIG. 4

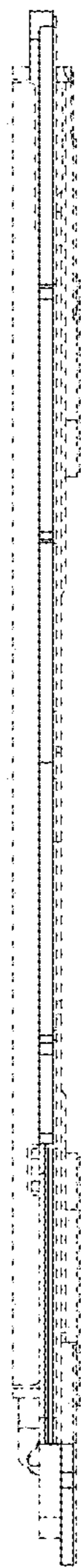


FIG. 5

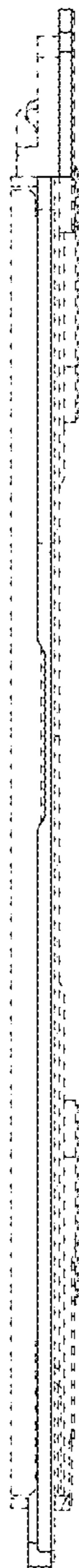


FIG. 6