



US00D738819S

(12) **United States Design Patent**  
**Daily et al.**

(10) **Patent No.:** **US D738,819 S**  
(45) **Date of Patent:** **\*\* Sep. 15, 2015**

(54) **BATTERY HOUSING FOR A SOLAR LIGHT FIXTURE**

(74) *Attorney, Agent, or Firm* — Jansson Munger McKinley & Shape Ltd.

(71) Applicant: **Chicago Display Company**, River Grove, IL (US)

(57) **CLAIM**  
The ornamental design for a battery housing for a solar light fixture, as shown and described.

(72) Inventors: **Blake E. Daily**, Chicago, IL (US);  
**Horace Cesar Rodriguez**, Schaumburg, IL (US)

**DESCRIPTION**

(73) Assignee: **CHICAGO DISPLAY COMPANY**, River Grove, IL (US)

FIG. 1 is a rear side perspective view of the battery housing for a solar light fixture;

(\*\*) Term: **14 Years**

FIG. 2 is a front side perspective view of the battery housing for a solar light fixture;

(21) Appl. No.: **29/436,187**

FIG. 3 is a front elevation view of the battery housing for a solar light fixture;

(22) Filed: **Nov. 2, 2012**

FIG. 4 is another front elevation view of the battery housing for a solar light fixture with the solar panel removed for ease of illustration;

(51) **LOC (10) Cl.** ..... **13-02**

(52) **U.S. Cl.**  
USPC ..... **D13/102**

FIG. 5 is a rear elevation view of the battery housing for a solar light fixture;

(58) **Field of Classification Search**  
USPC ..... D13/101, 102, 107, 184, 199; D25/55, D25/57; 52/74, 77, 78, 173.3; 126/569, 571, 126/577, 600, 603, 605-608; 136/243-246, 136/251; 320/101  
See application file for complete search history.

FIG. 6 is a top plan view of the battery housing for a solar light fixture;

FIG. 7 is another top plan view of the battery housing for a solar light fixture with the solar panel removed for ease of illustration;

FIG. 8 is a bottom plan view of the battery housing for a solar light fixture;

(56) **References Cited**

**U.S. PATENT DOCUMENTS**

4,200,904	A	*	4/1980	Doan	.....	362/183
D402,663	S	*	12/1998	Fechner	.....	D14/140.6
D573,742	S	*	7/2008	Bears	.....	D26/71
D598,597	S	*	8/2009	Lu et al.	.....	D26/68
D598,598	S	*	8/2009	Zhou et al.	.....	D26/68

(Continued)

**OTHER PUBLICATIONS**

Carmanah Technologies Corporation. EG-Series, Solar LED Lighting System brochure. Copyright 2012.

*Primary Examiner* — Derrick Holland  
*Assistant Examiner* — Jennifer O King

FIG. 9 is a left side elevation view of the battery housing for a solar light fixture;

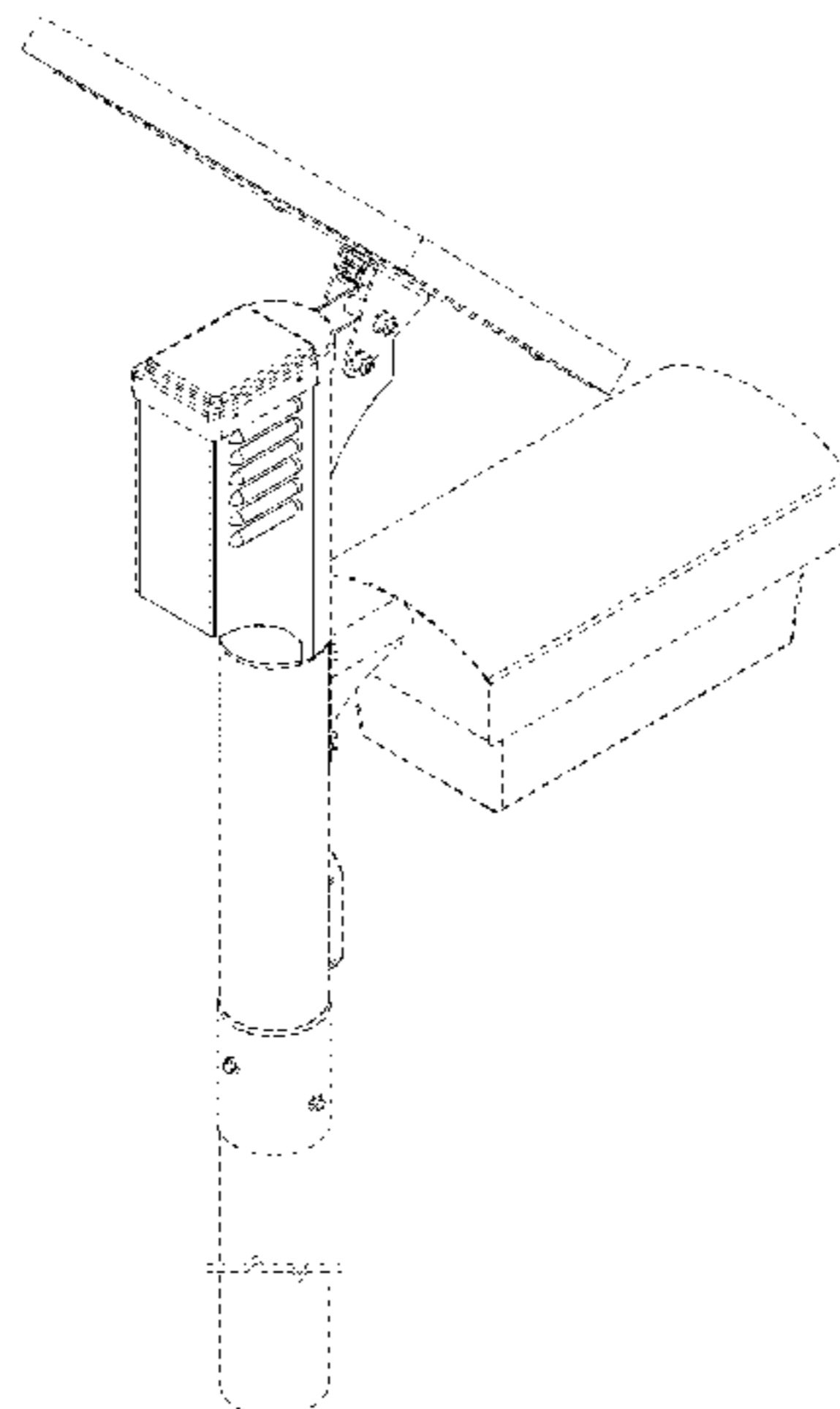
FIG. 10 is another left side elevation view of the battery housing for a solar light fixture with the solar panel removed for ease of illustration;

FIG. 11 is a right side elevation view of the battery housing for a solar light fixture; and,

FIG. 12 is another right side elevation view of the battery housing for a solar light fixture with the solar panel removed for ease of illustration.

The broken lines shown represent unclaimed subject matter and form no part of the claimed design. The unclaimed portion of the pole of the battery housing for a solar light fixture has been shown as broken in a middle portion to indicate indeterminate length.

**1 Claim, 12 Drawing Sheets**



# US D738,819 S

Page 2

---

(56)

## References Cited

### U.S. PATENT DOCUMENTS

D622,887 S \* 8/2010 Lewis ..... D26/71  
D656,652 S \* 3/2012 Rosenlof et al. .... D26/71  
D660,260 S \* 5/2012 Brink et al. .... D13/184

2005/0005530 A1\* 1/2005 Li ..... 52/74  
2010/0090605 A1\* 4/2010 Nevins ..... 315/159  
2012/0097149 A1\* 4/2012 Doyle ..... 126/604  
2012/0240974 A1\* 9/2012 Lee et al. .... 136/246  
2014/0014157 A1\* 1/2014 Lee et al. .... 136/246

\* cited by examiner

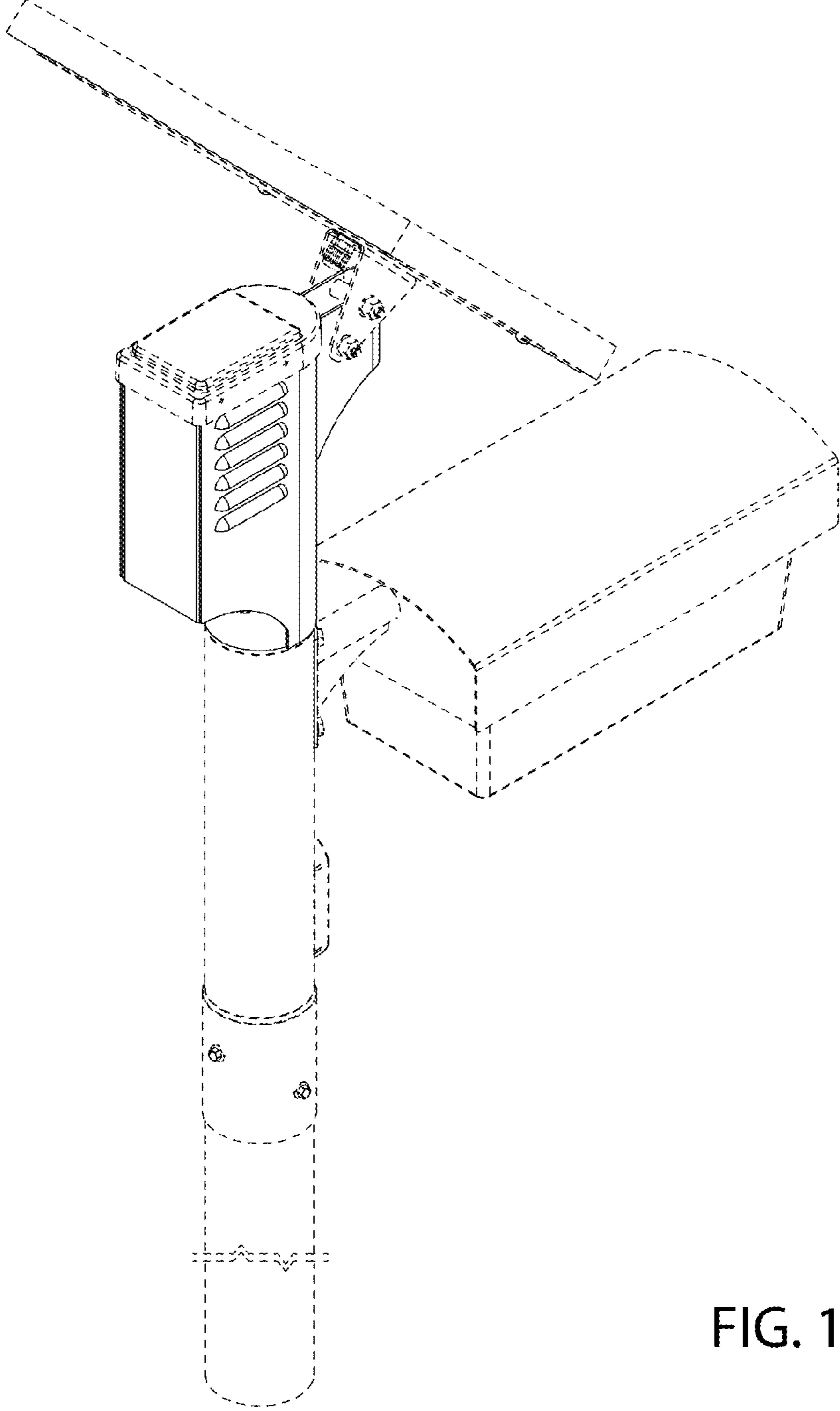


FIG. 1

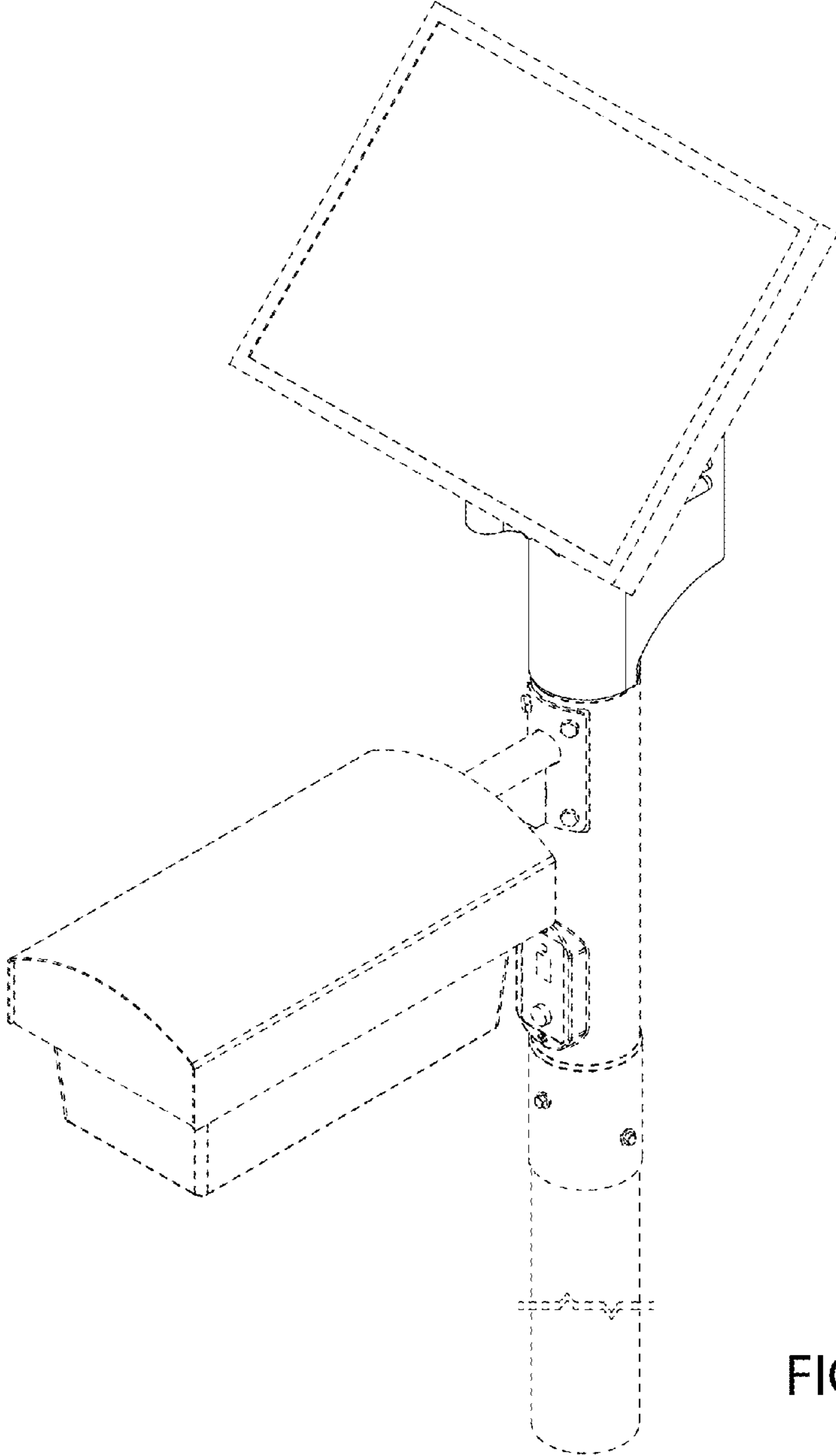


FIG. 2

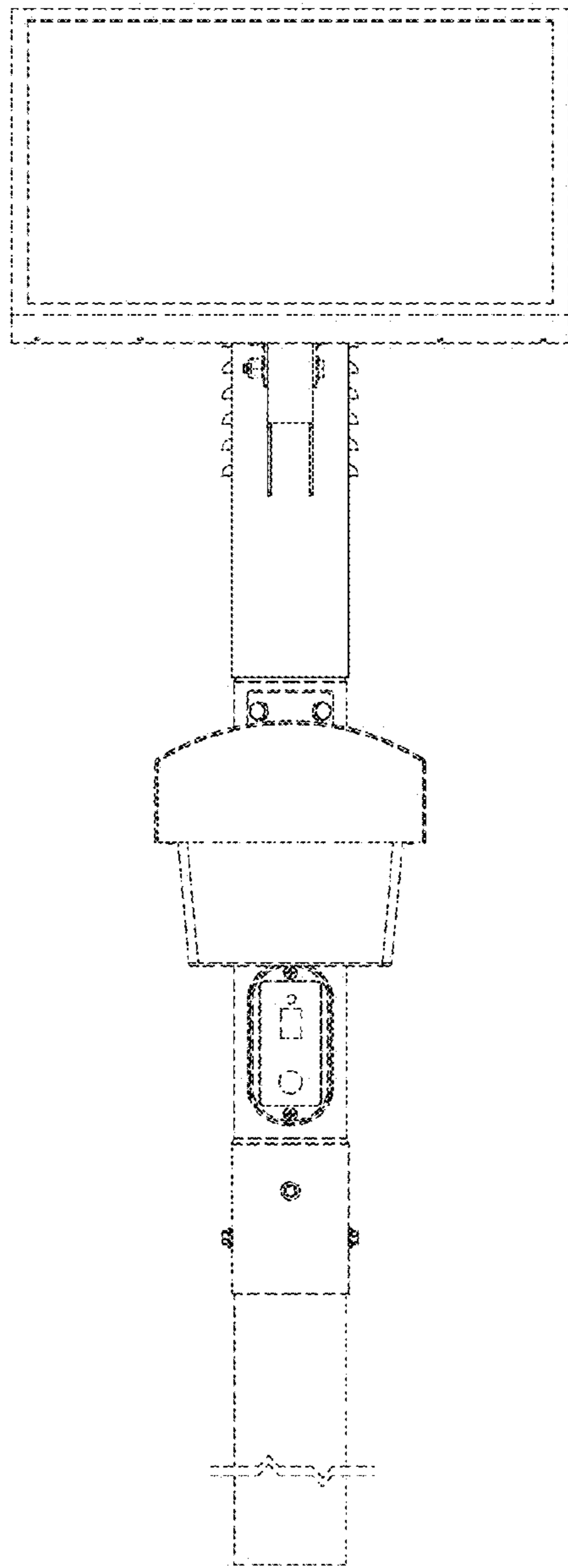


FIG. 3

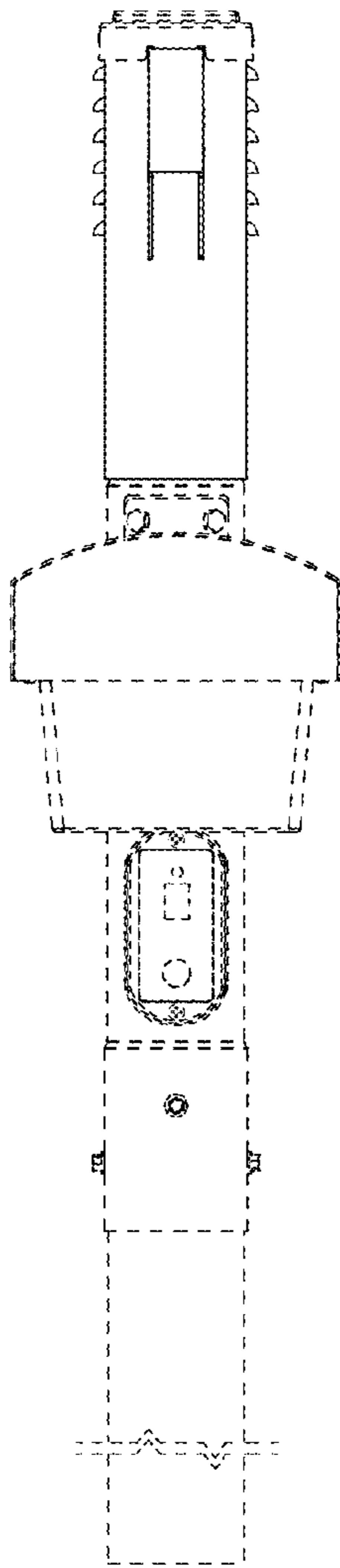


FIG. 4

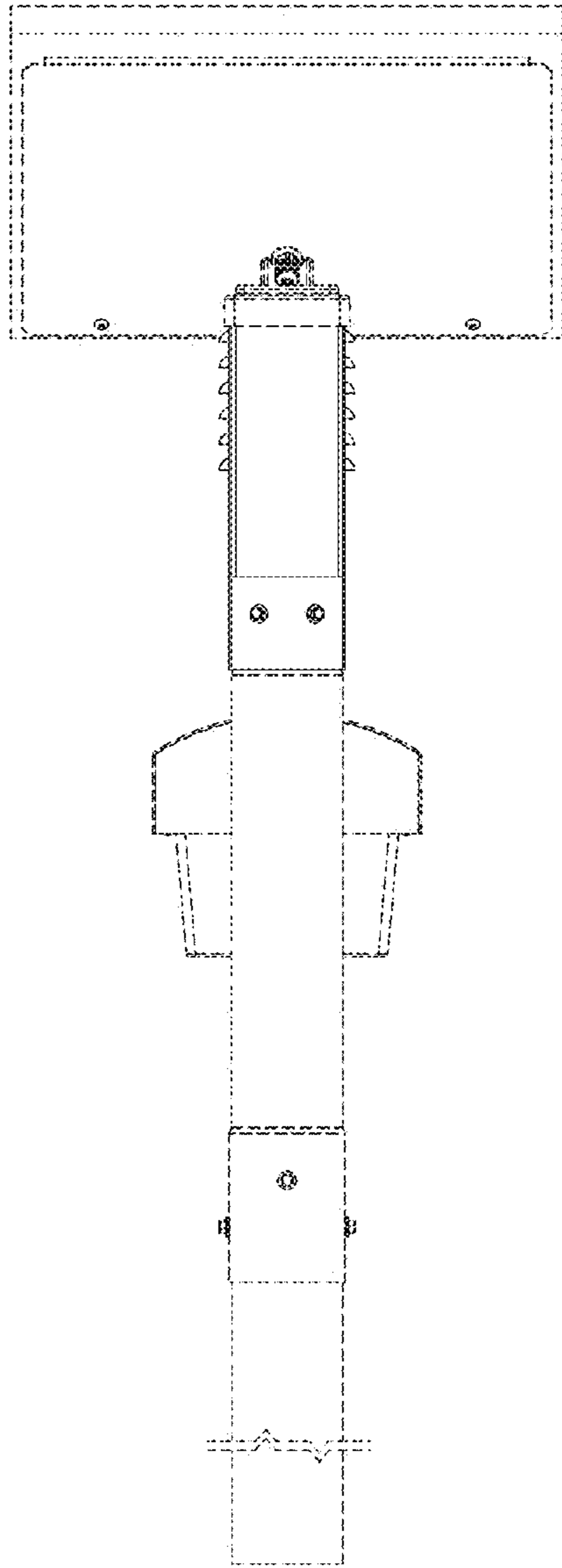


FIG. 5

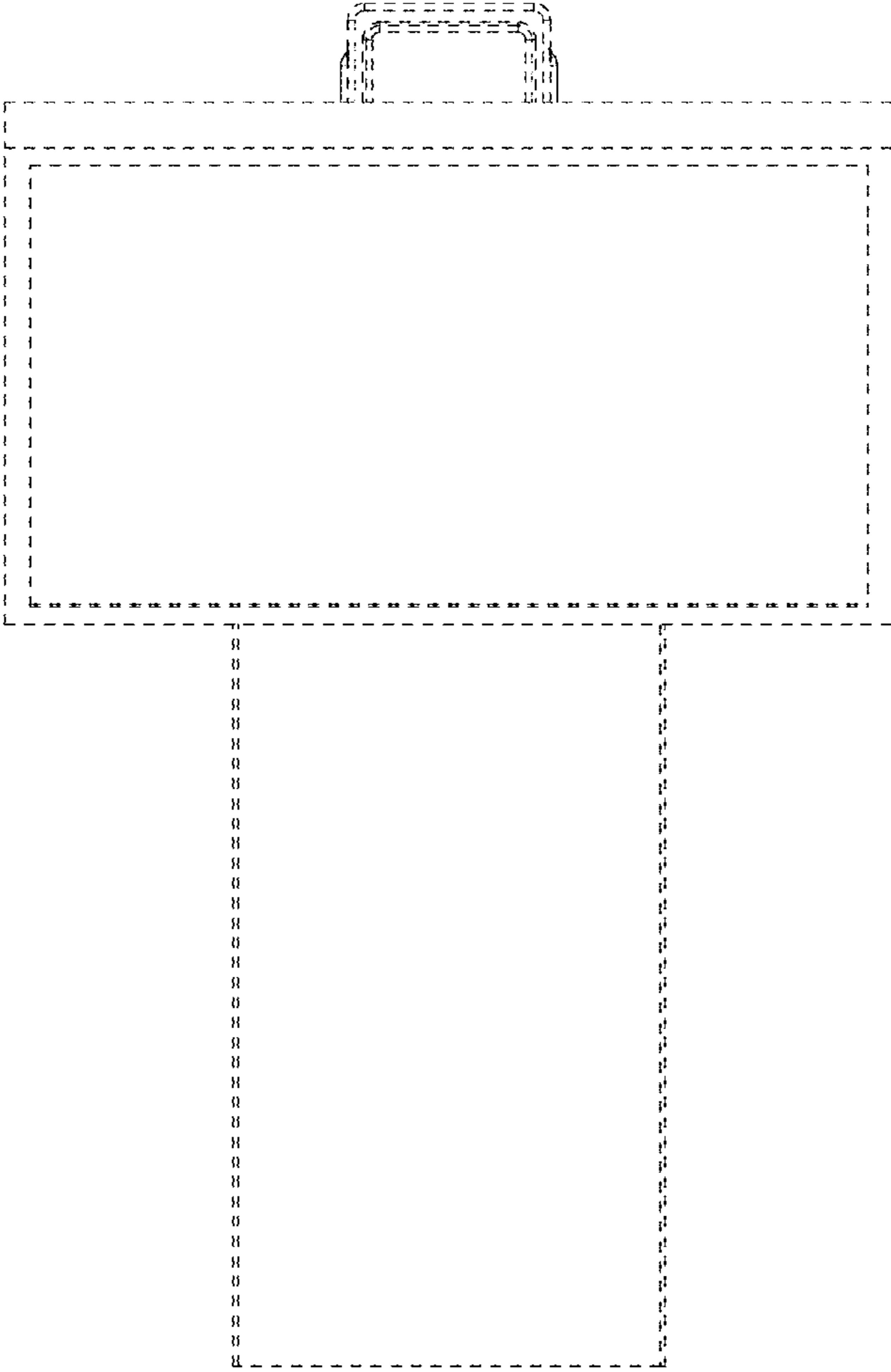


FIG. 6



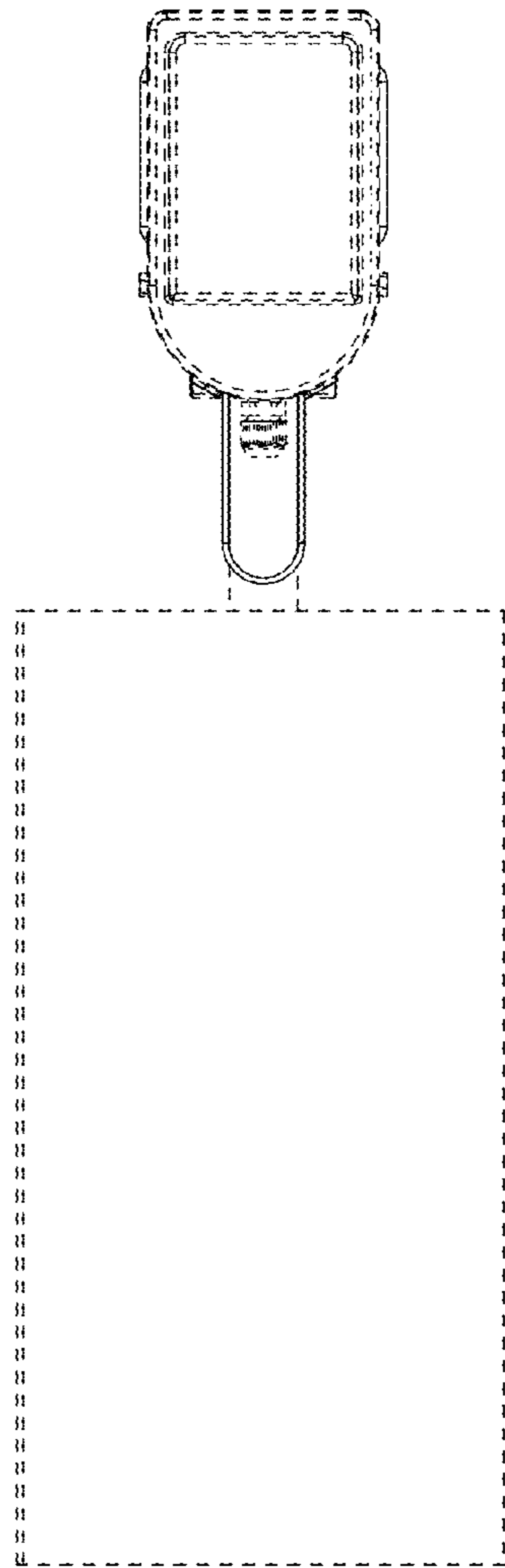


FIG. 7

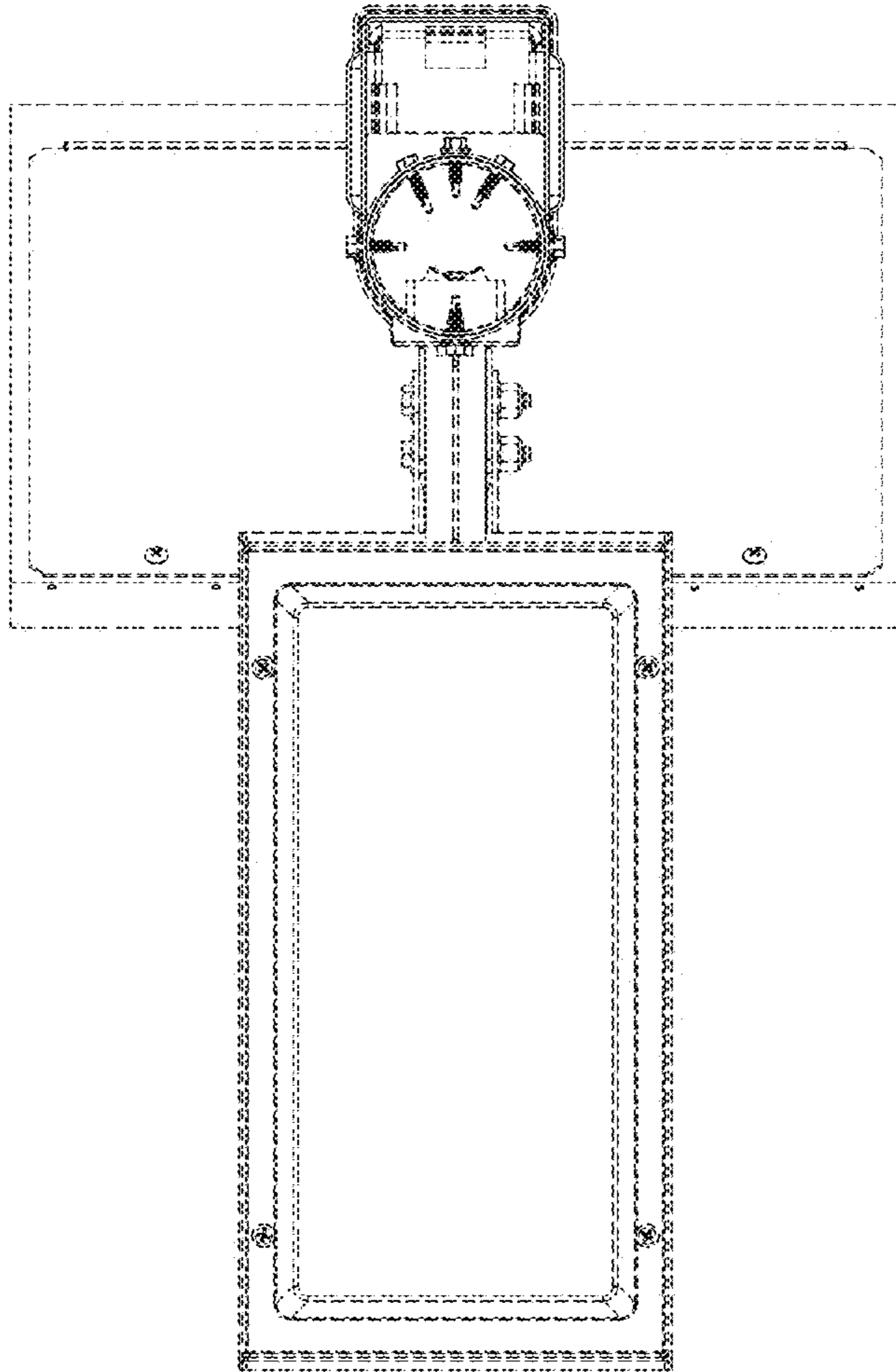


FIG.8

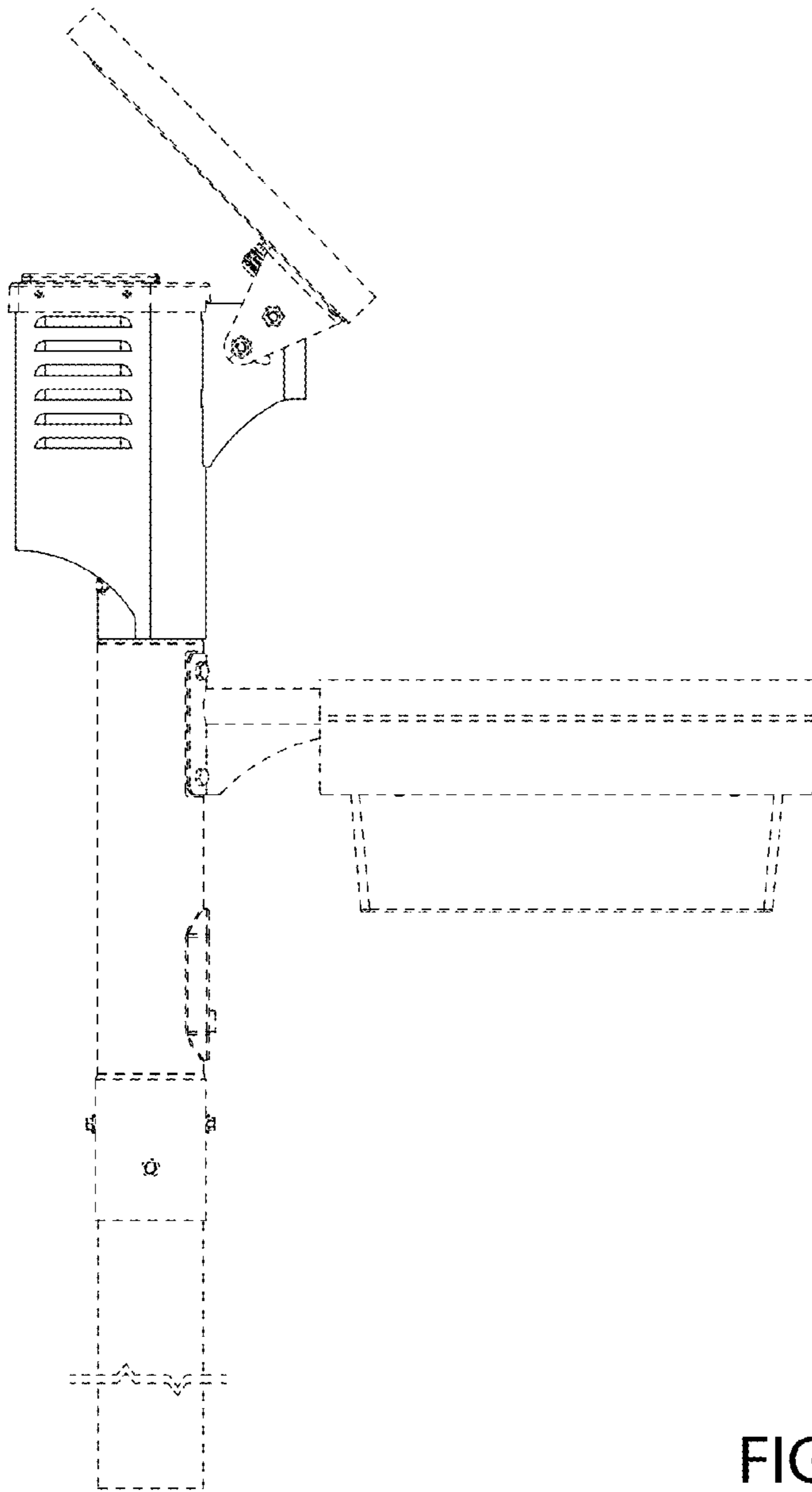


FIG. 9

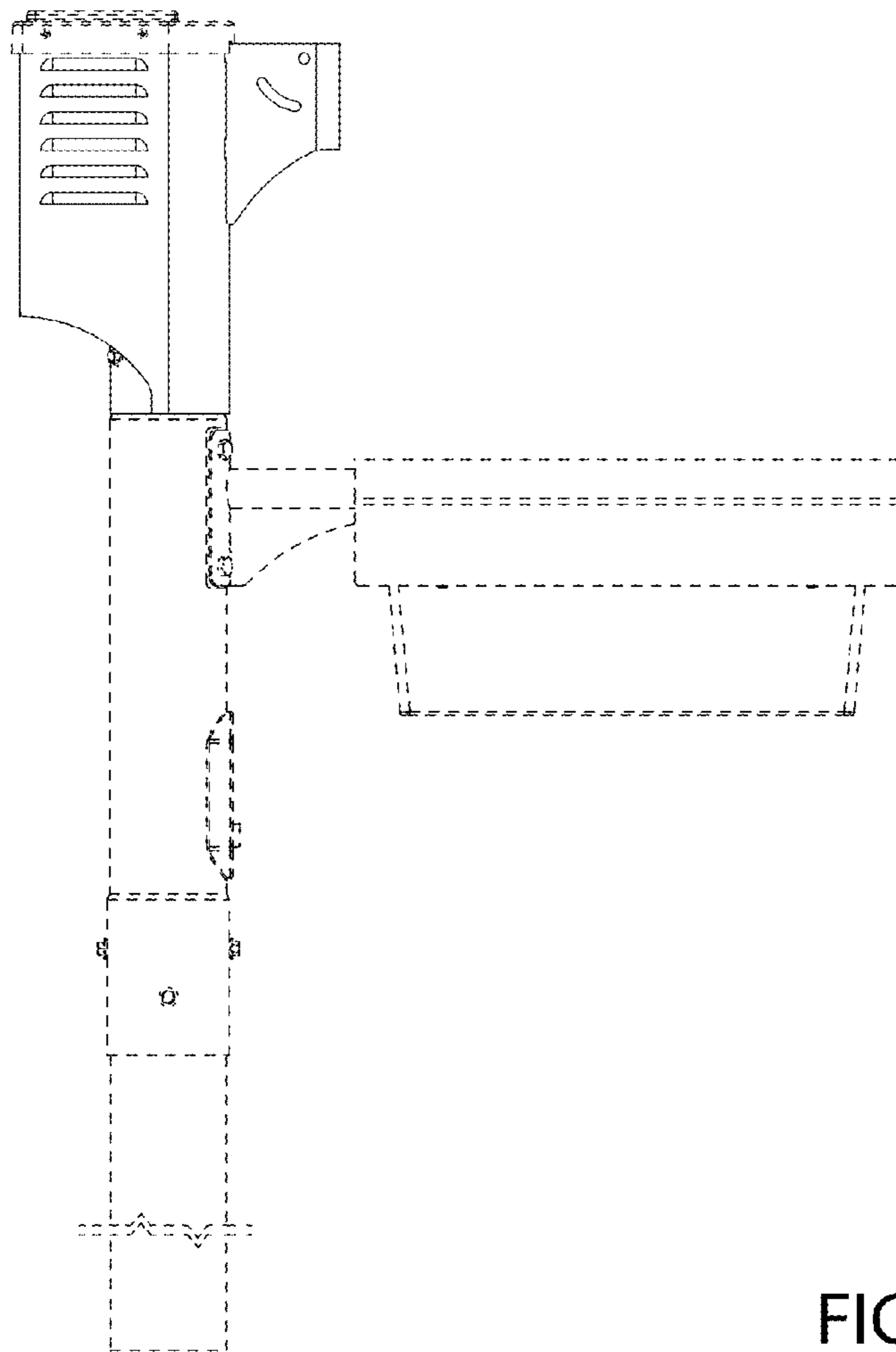


FIG. 10

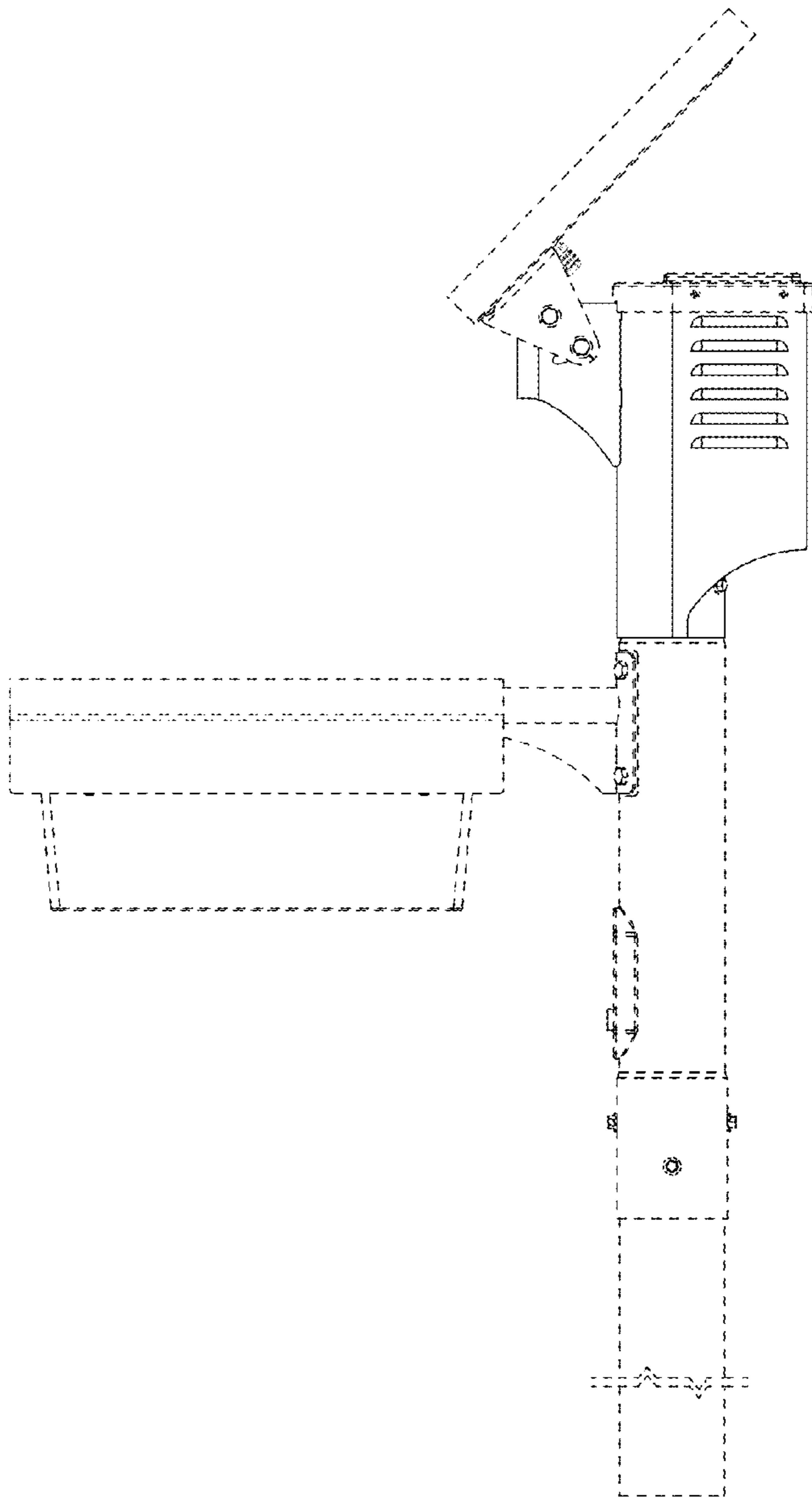


FIG. 11

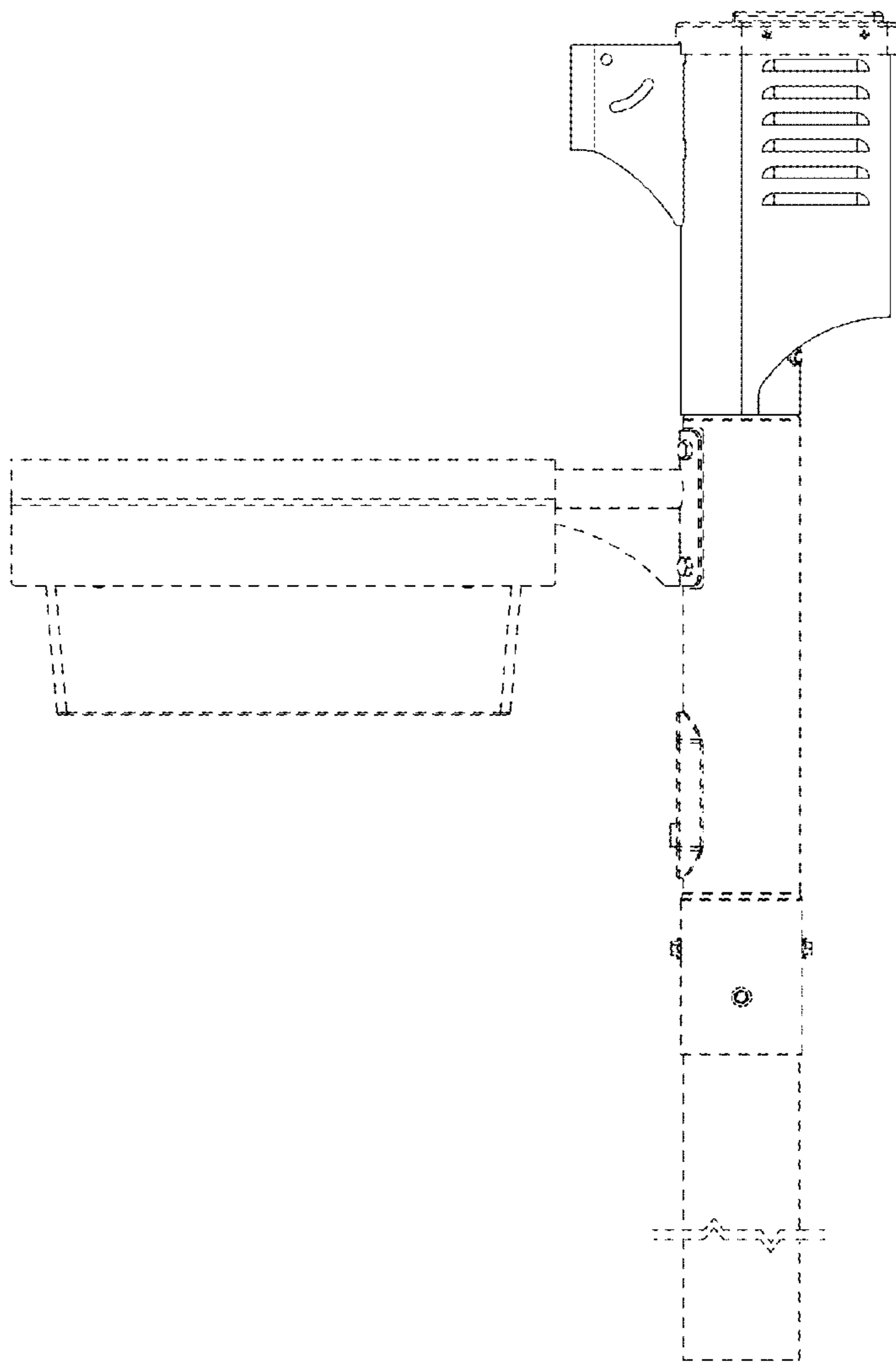


FIG. 12