

US00D738811S

(12) **United States Design Patent**  
**Drake**

(10) **Patent No.:** **US D738,811 S**

(45) **Date of Patent:** **\*\* Sep. 15, 2015**

(54) **TIRE TREAD**

(71) Applicant: **Robert J. Drake**, Forest, OH (US)

(72) Inventor: **Robert J. Drake**, Forest, OH (US)

(73) Assignee: **COOPE TIRE & RUBBER COMPANY**, Findlay, OH (US)

(\*\*) Term: **14 Years**

(21) Appl. No.: **29/473,167**

(22) Filed: **Nov. 19, 2013**

(51) **LOC (10) Cl.** ..... **12-15**

(52) **U.S. Cl.**  
USPC ..... **D12/583**

(58) **Field of Classification Search**

USPC ..... D12/568-603; 152/209.1-209.28  
CPC B60C 11/11; B60C 2011/1213; B60C 11/00;  
B60C 11/04; B60C 11/1281; B60C  
2011/0374; B60C 1/0016; B60C 11/12;  
B60C 11/0306; B60C 11/0309; B60C 11/13;  
B60C 11/042

See application file for complete search history.

(56) **References Cited**

**U.S. PATENT DOCUMENTS**

D427,954 S \* 7/2000 De Coninck ..... D12/602  
D500,472 S \* 1/2005 Campana et al. .... D12/583

D545,266 S \* 6/2007 Yamaura ..... D12/584  
D608,728 S \* 1/2010 Brown ..... D12/584  
D609,166 S \* 2/2010 Brown ..... D12/583  
D624,490 S \* 9/2010 Kaji ..... D12/602  
D646,219 S \* 10/2011 Suda et al. .... D12/591  
D661,643 S \* 6/2012 Kaji ..... D12/602

\* cited by examiner

*Primary Examiner* — George D Kirschbaum

*Assistant Examiner* — Jennifer Watkins

(74) *Attorney, Agent, or Firm* — Fay Sharpe LLP

(57) **CLAIM**

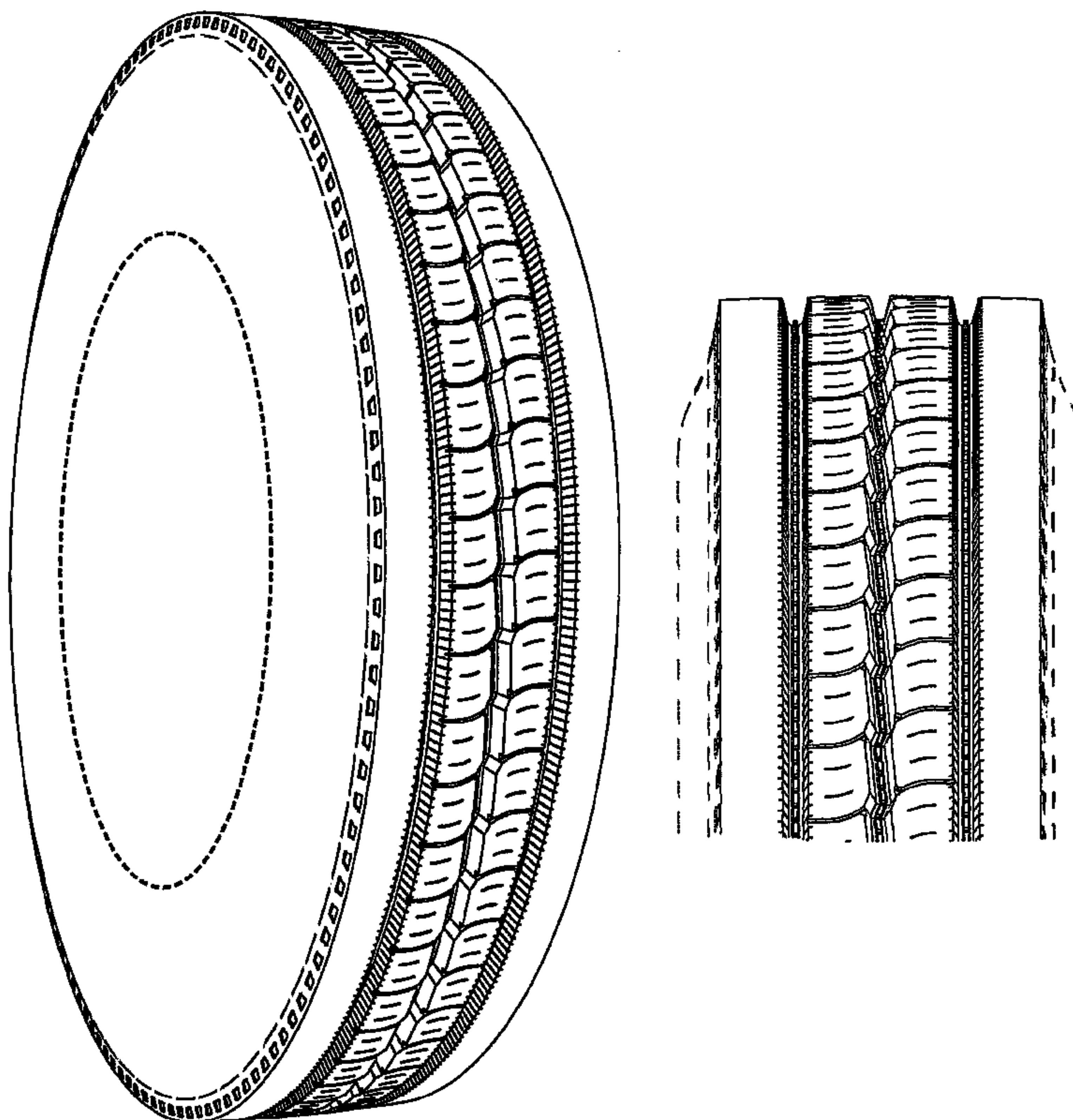
The ornamental design for a tire tread, as shown and described.

**DESCRIPTION**

FIG. 1 is a perspective view of a full tire including the tire tread of the present application;  
FIG. 2 is a side view thereof;  
FIG. 3 is a front view thereof; and,  
FIG. 4 is an enlarged partial front view thereof.

The side views of the inner and outer sides of the tire are the same, i.e., the tire tread is symmetrical. The broken line showings of the sidewall, inner bead, shoulder tread, and the peripheral boundary between the tire tread and the sidewall is included for the purpose of illustrating environment and forms no part of the claim.

**1 Claim, 4 Drawing Sheets**



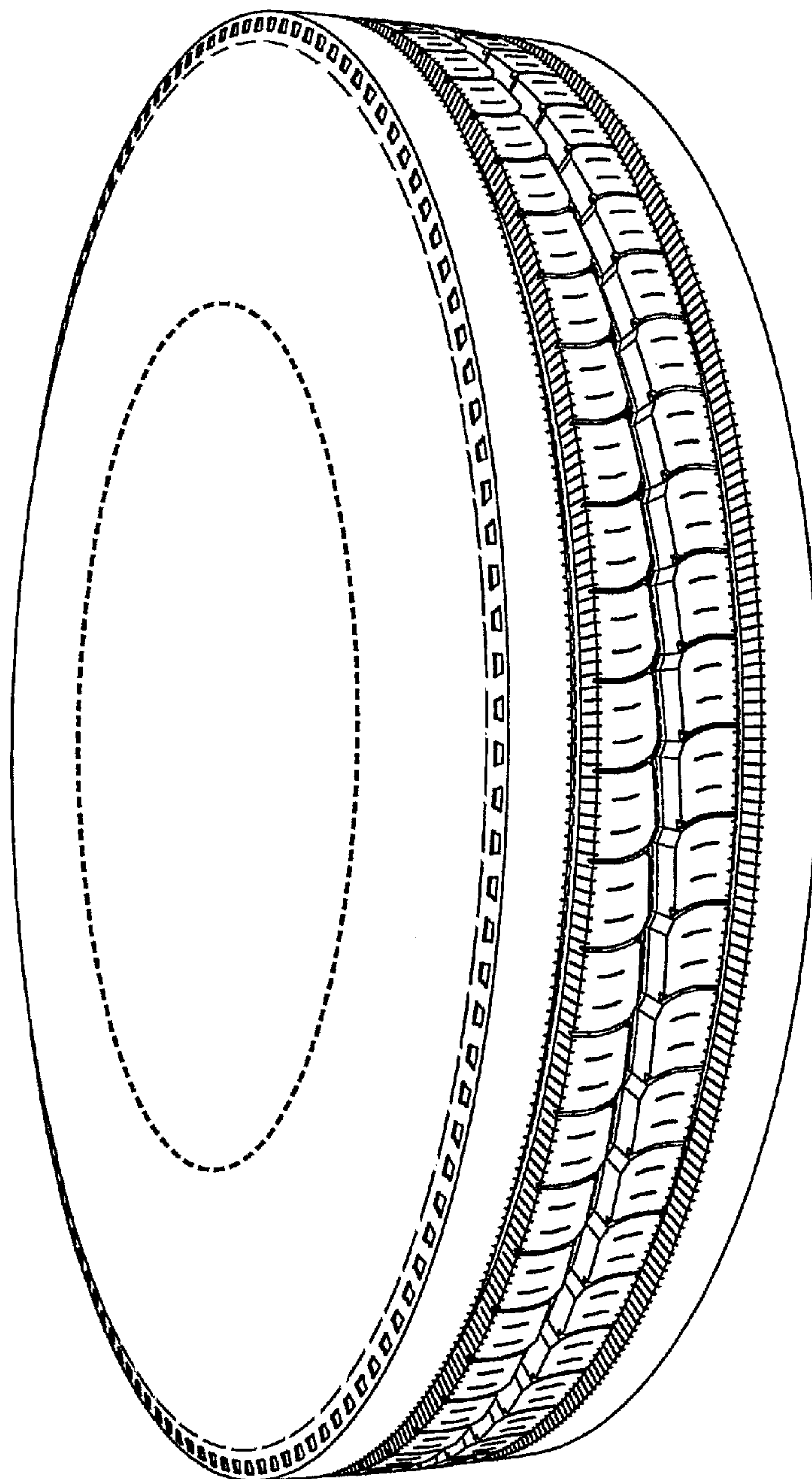


FIG. 1

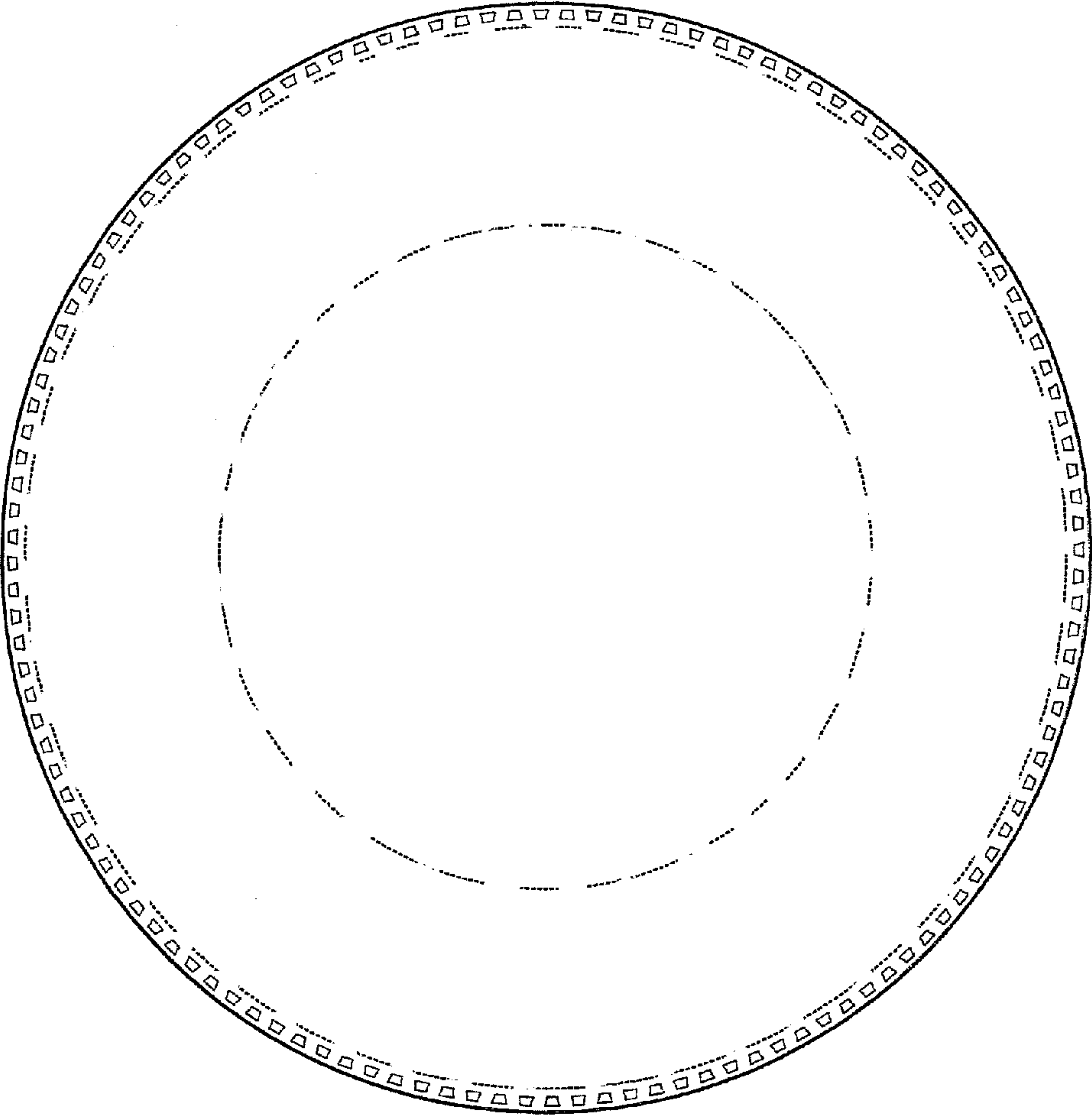


FIG. 2

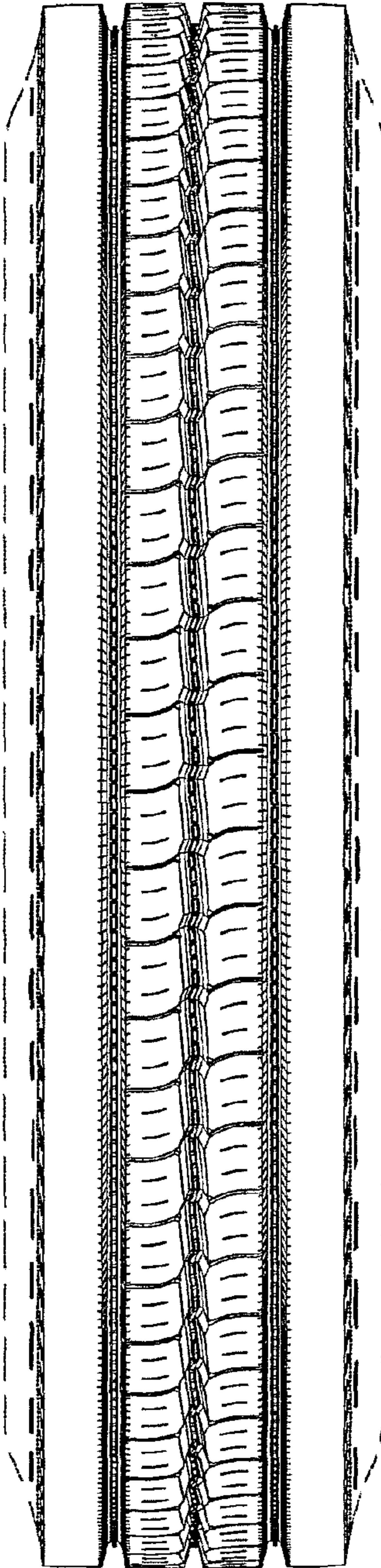


FIG. 3



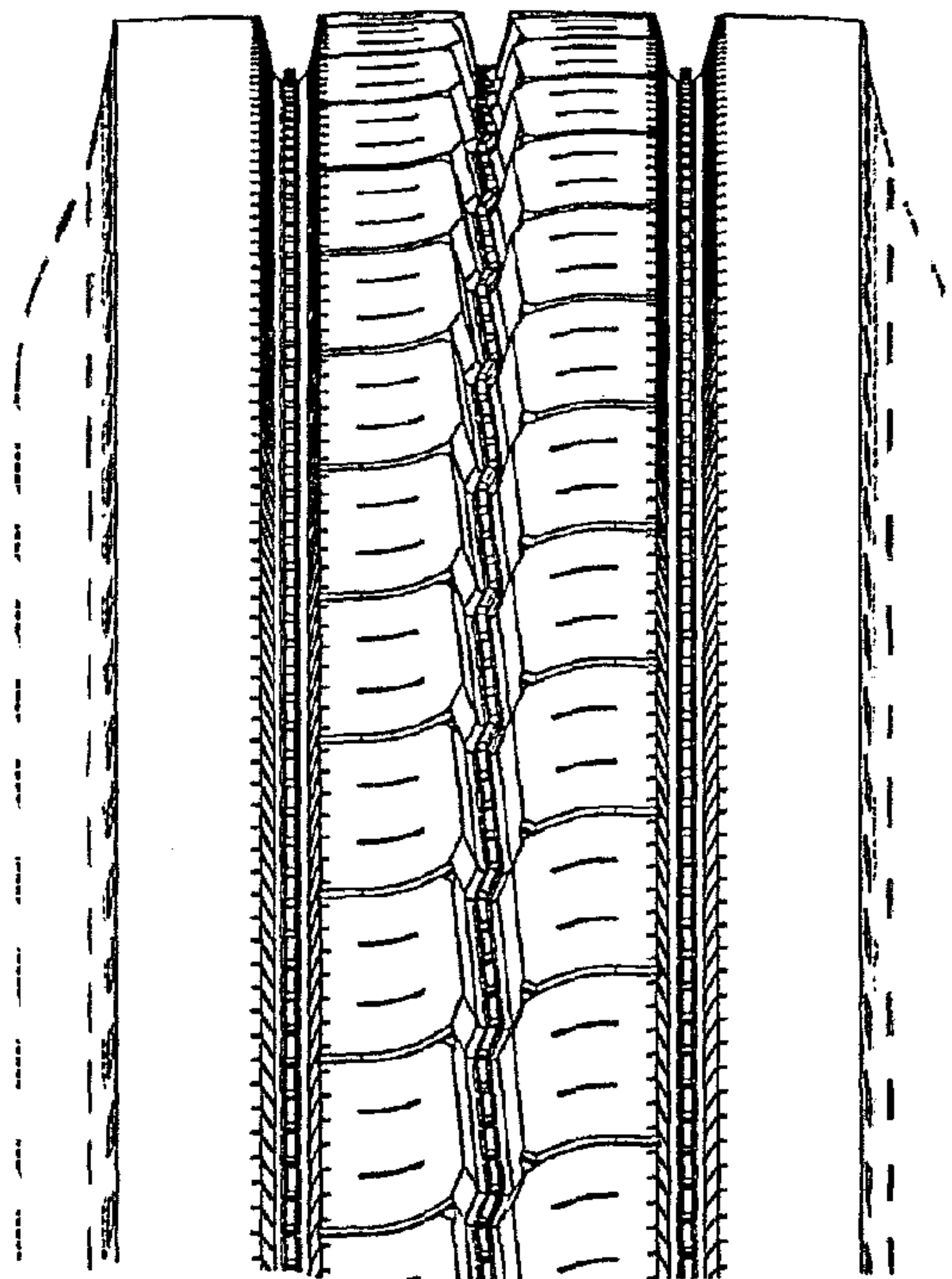


FIG. 4