



US00D738809S

(12) **United States Design Patent**
Thom et al.

(10) **Patent No.:** **US D738,809 S**
(45) **Date of Patent:** **** Sep. 15, 2015**

(54) **CARGO ORGANIZER**
(71) Applicant: **MacNeil IP LLC**, Bolingbrook, IL (US)
(72) Inventors: **Allan R. Thom**, Clarendon Hills, IL (US); **David S. Iverson**, Hinsdale, IL (US); **David F. MacNeil**, Hinsdale, IL (US); **Frederick W. Masanek, Jr.**, Barrington, IL (US)

5,655,863	A	8/1997	Mundt	
6,041,987	A *	3/2000	Tickoo	224/542
D436,342	S *	1/2001	Lopez	D12/414.1
6,244,802	B1	6/2001	Stanesic et al.	
D450,291	S *	11/2001	Wang	D12/426
6,702,532	B1	3/2004	Throener	
7,306,416	B1	12/2007	Arico	
9,067,521	B1 *	6/2015	Masanek et al.	1/1
2004/0094985	A1 *	5/2004	Mobley	296/37.6
2004/0262345	A1 *	12/2004	Polburn et al.	224/275
2014/0054345	A1 *	2/2014	Thom et al.	224/542

(73) Assignee: **MacNeil IP LLC**, Bolingbrook, IL (US)
(**) Term: **14 Years**

* cited by examiner

Primary Examiner — Katrina A Betton

(21) Appl. No.: **29/471,508**

(74) *Attorney, Agent, or Firm* — Perkins IP Law Group LLC; Jefferson Perkins

(22) Filed: **Nov. 1, 2013**

(57) **CLAIM**

The ornamental design for a cargo organizer, as shown and described.

(51) **LOC (10) Cl.** **12-16**

(52) **U.S. Cl.**
USPC **D12/426**

DESCRIPTION

(58) **Field of Classification Search**
USPC D12/426, 413, 414.1, 414, 412, 221, D12/406, 157, 423, 414.4; D6/552, D6/317-319, 513-514, 304-306; D3/304-306; D32/35, 58
CPC . B60R 9/065; B60P 7/0892; Y10T 29/49826; Y10T 29/4998

FIG. 1 is a perspective view of my design;
FIG. 2 is a side view of a first side of the design shown in FIG. 1;
FIG. 3 is a side view of a second side of the design shown in FIG. 1;
FIG. 4 is a side view of a third side of the design shown in FIG. 1;
FIG. 5 is a side view of a fourth side of the design shown in FIG. 1;
FIG. 6 is a plan view of the design shown in FIG. 1; and
FIG. 7 is a bottom view thereof.

See application file for complete search history.

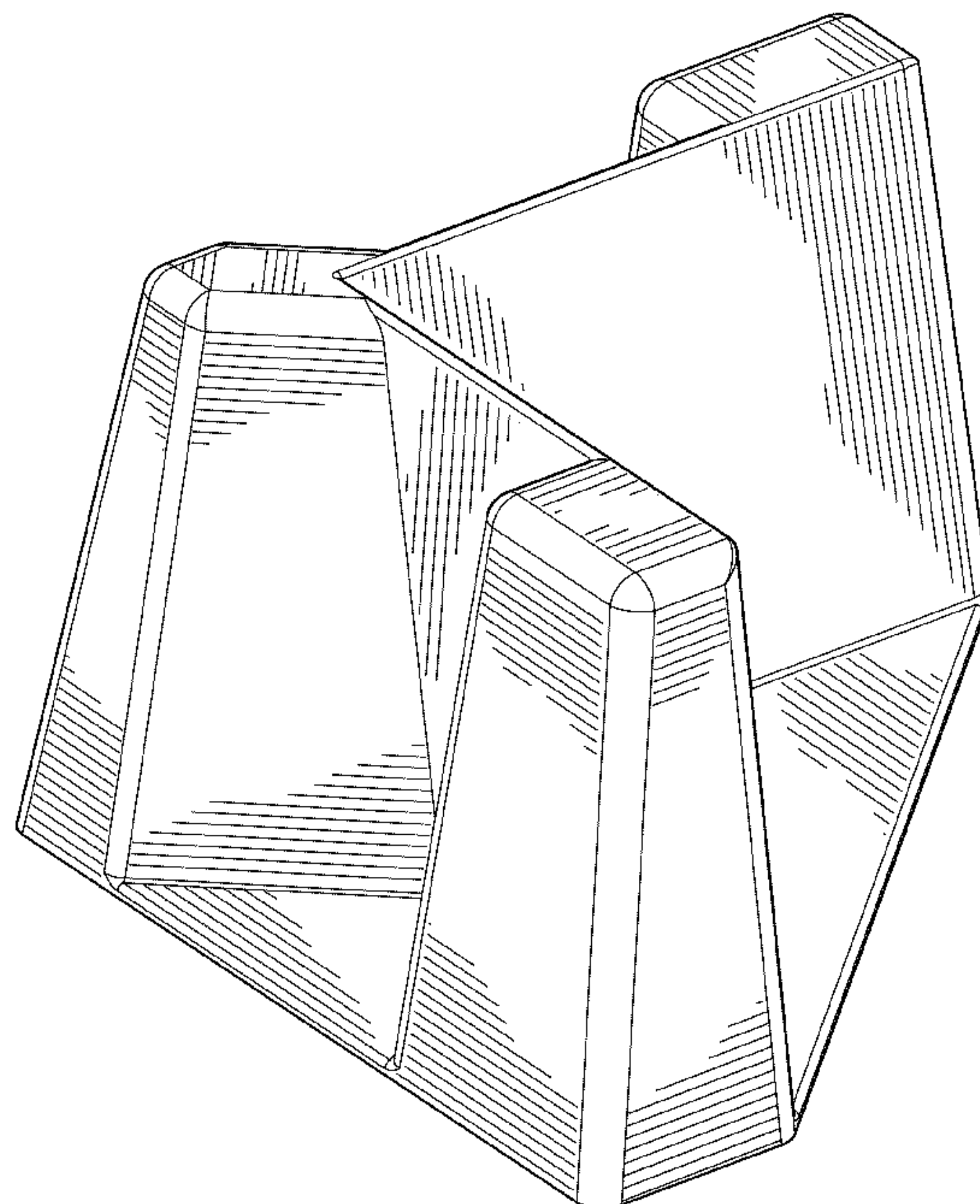
The broken line showing of the environment is for illustrative purposes only and forms no part of the claimed design.

(56) **References Cited**

U.S. PATENT DOCUMENTS

4,540,213	A *	9/1985	Herlitz et al.	296/37.5
4,842,460	A	6/1989	Schlesch	
5,603,439	A *	2/1997	Pineda	224/403

1 Claim, 4 Drawing Sheets



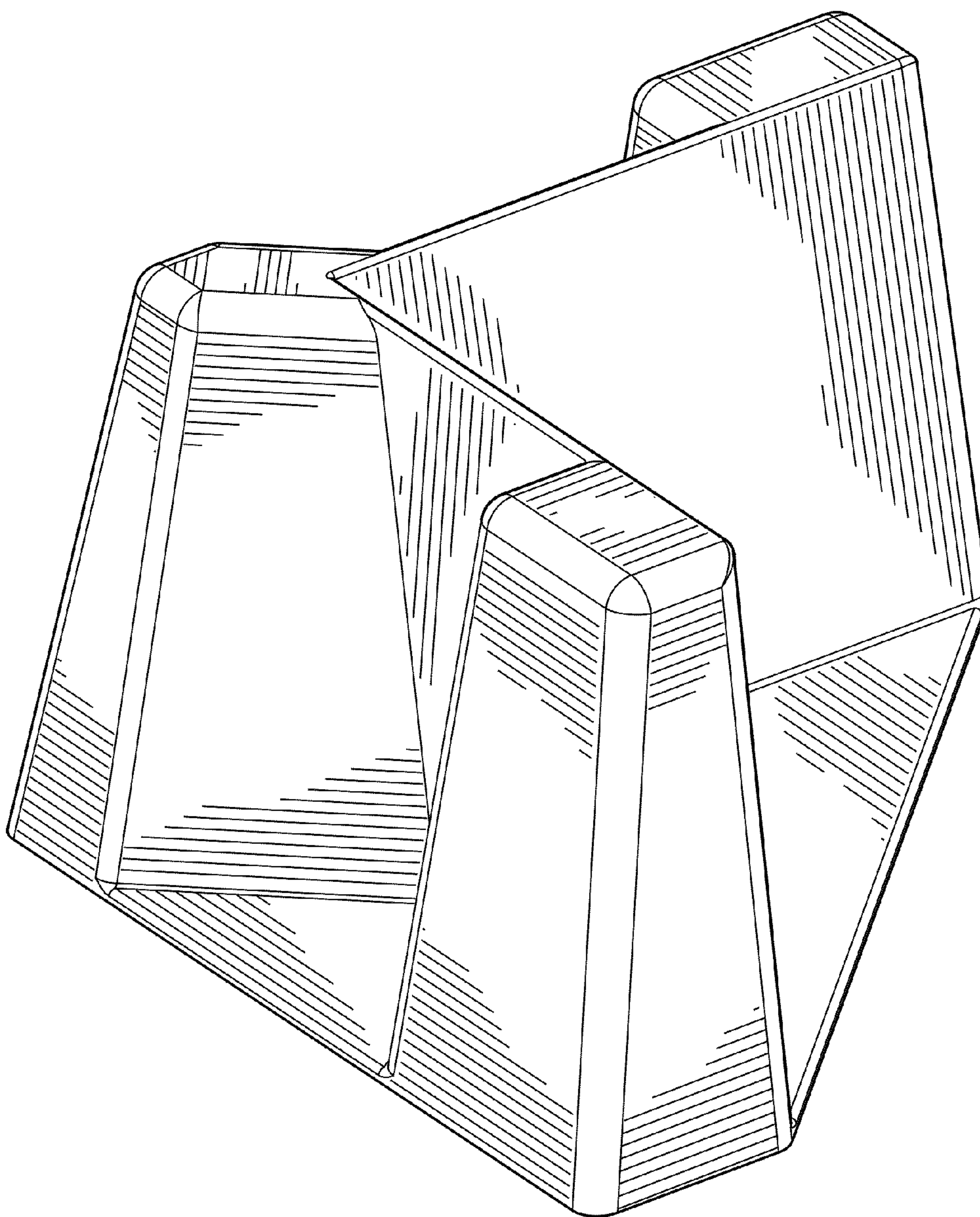


FIG. 1

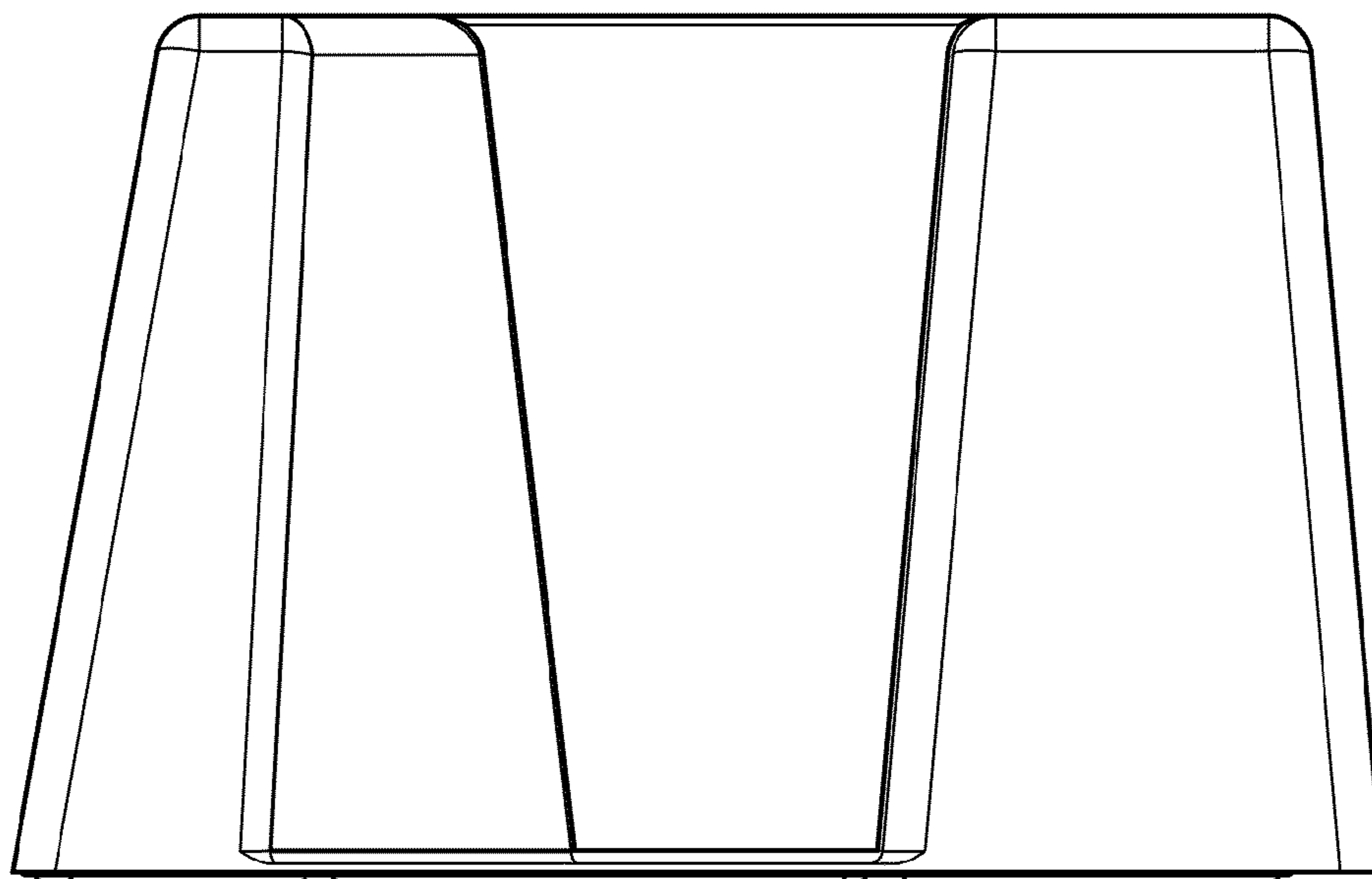


FIG. 2

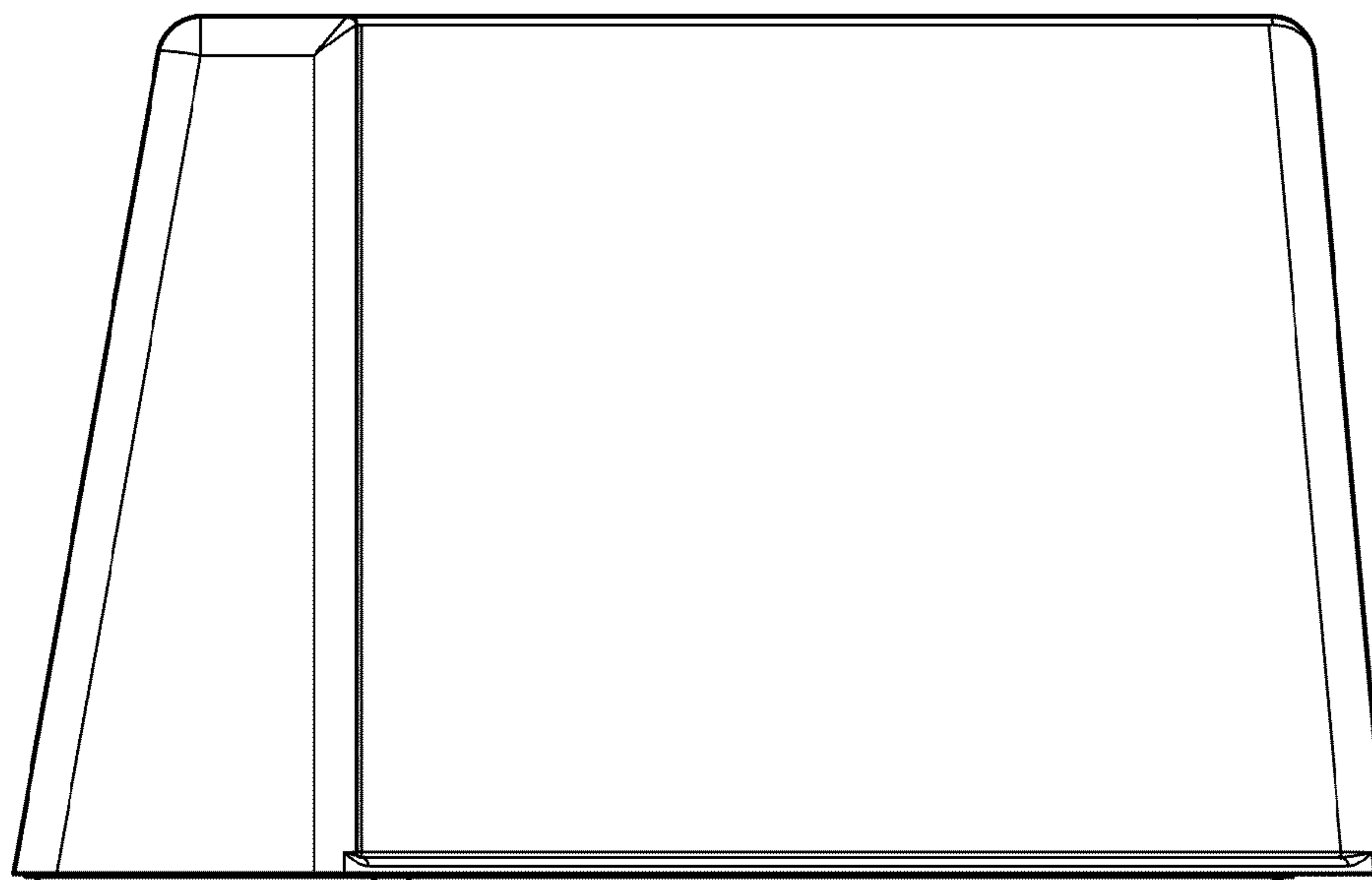


FIG. 3

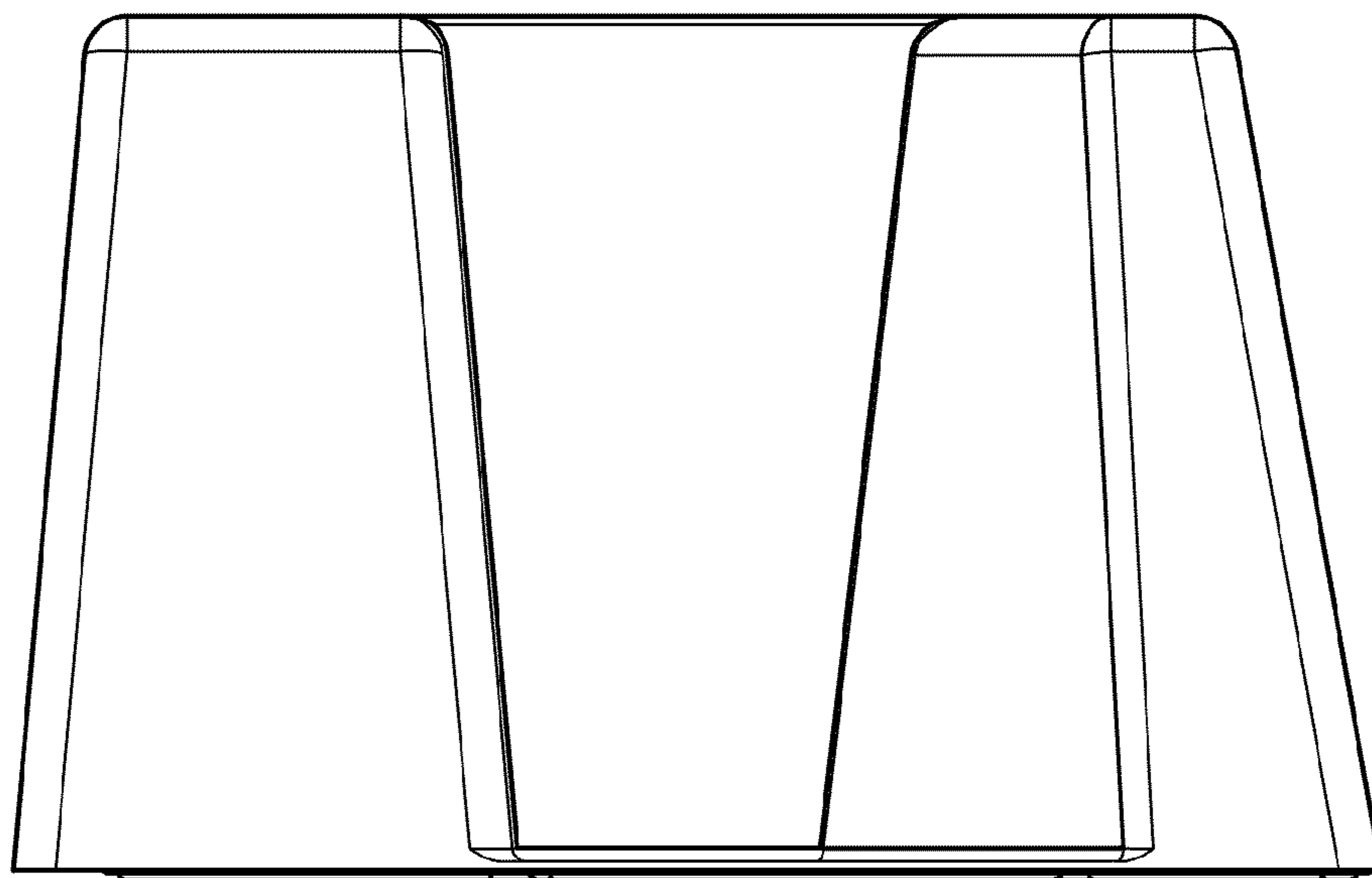


FIG. 4

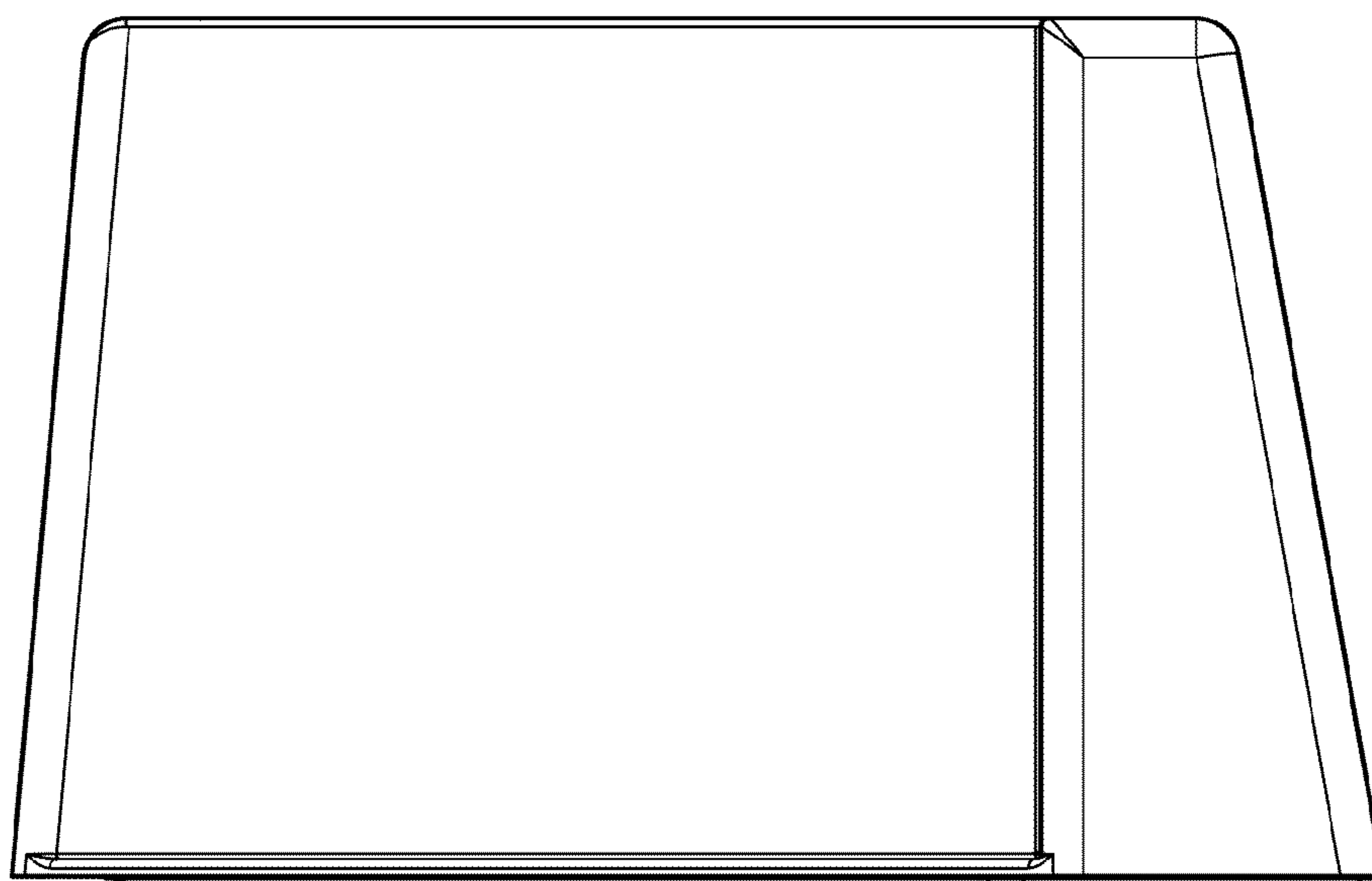


FIG. 5

