

US00D738808S

(12) **United States Design Patent**
Major

(10) **Patent No.:** **US D738,808 S**

(45) **Date of Patent:** **** Sep. 15, 2015**

(54) **TAILGATE BUTCHER BLOCK**

(71) Applicant: **Jeffrey D. Major**, Hopkinsville, KY
(US)

(72) Inventor: **Jeffrey D. Major**, Hopkinsville, KY
(US)

(**) Term: **14 Years**

(21) Appl. No.: **29/481,588**

(22) Filed: **Feb. 7, 2014**

(51) **LOC (10) Cl.** **12-16**

(52) **U.S. Cl.**
USPC **D12/400**

(58) **Field of Classification Search**
USPC D12/400, 106
See application file for complete search history.

(56) **References Cited**

U.S. PATENT DOCUMENTS

5,649,734	A *	7/1997	Speis	296/57.1
5,730,066	A *	3/1998	Auten et al.	108/44
5,857,741	A *	1/1999	Anderson	297/170
6,045,172	A *	4/2000	Thomas et al.	296/26.1
6,145,447	A *	11/2000	Henderson	108/44
D439,559	S *	3/2001	Caro	D12/400
D445,395	S *	7/2001	Okerlund et al.	D12/400

6,314,891	B1 *	11/2001	Larson	108/44
6,336,413	B1 *	1/2002	Ball	108/44
6,467,417	B1 *	10/2002	Guyot et al.	108/44
D475,678	S *	6/2003	Evans	D12/400
6,739,269	B1 *	5/2004	Benton	108/44
D616,700	S *	6/2010	Pourounidis et al.	D7/388

* cited by examiner

Primary Examiner — Katrina A Betton

(74) *Attorney, Agent, or Firm* — Laura M. Hagan; Kerrick Bachert PLC

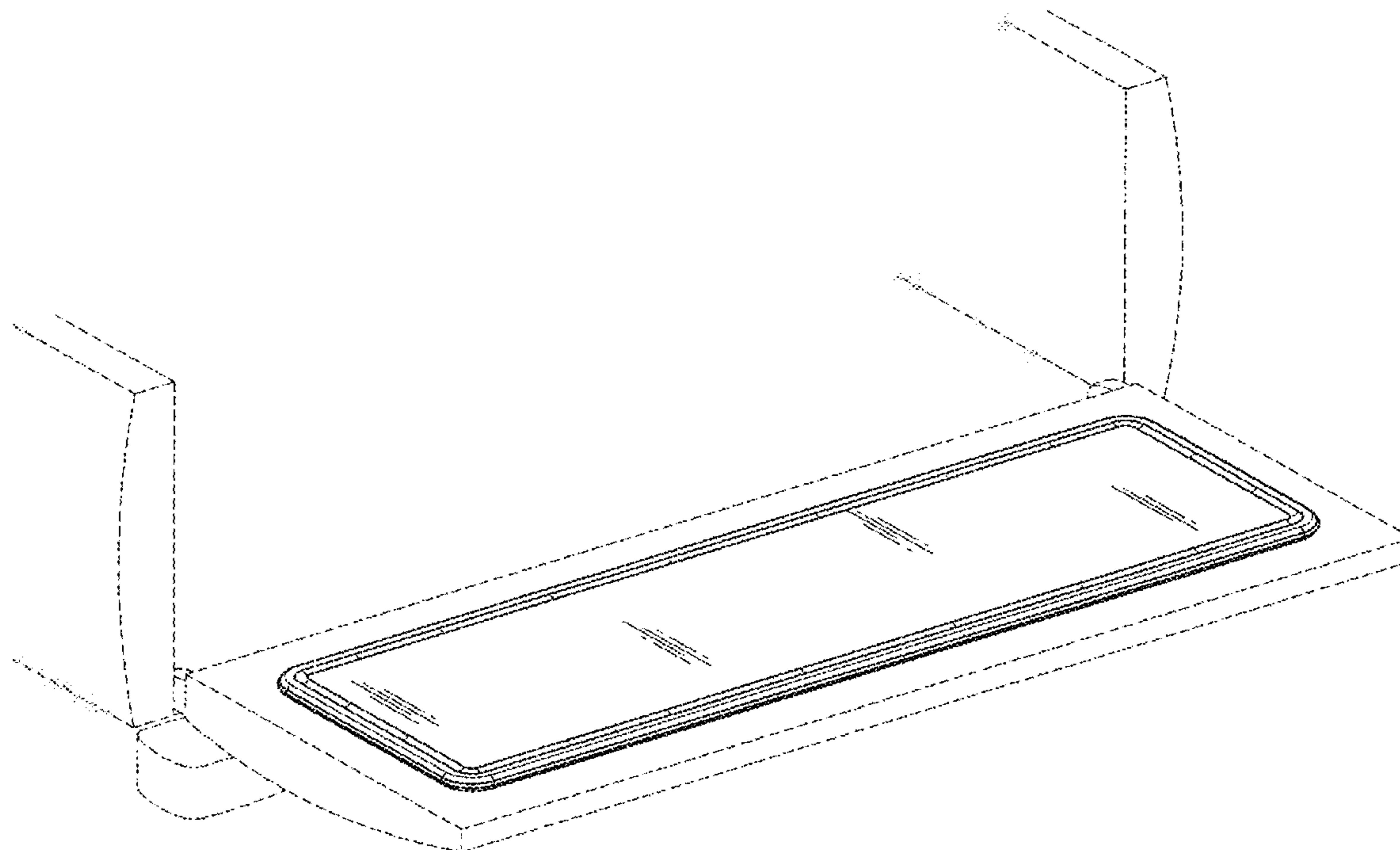
(57) **CLAIM**

I claim the ornamental design for a tailgate butcher block, substantially shown and described.

DESCRIPTION

FIG. 1 is a perspective view of the top rear of a tailgate butcher block incorporating the new design;
 FIG. 2 is another perspective view from the bottom rear of the tailgate butcher block thereof;
 FIG. 3 is a top plan view thereof;
 FIG. 4 is a bottom plan view thereof;
 FIG. 5 is a front elevation view thereof with the rear elevation view being a mirror image; and,
 FIG. 6 is a left side elevation view with a right side elevation view being a mirror image thereof.

1 Claim, 6 Drawing Sheets



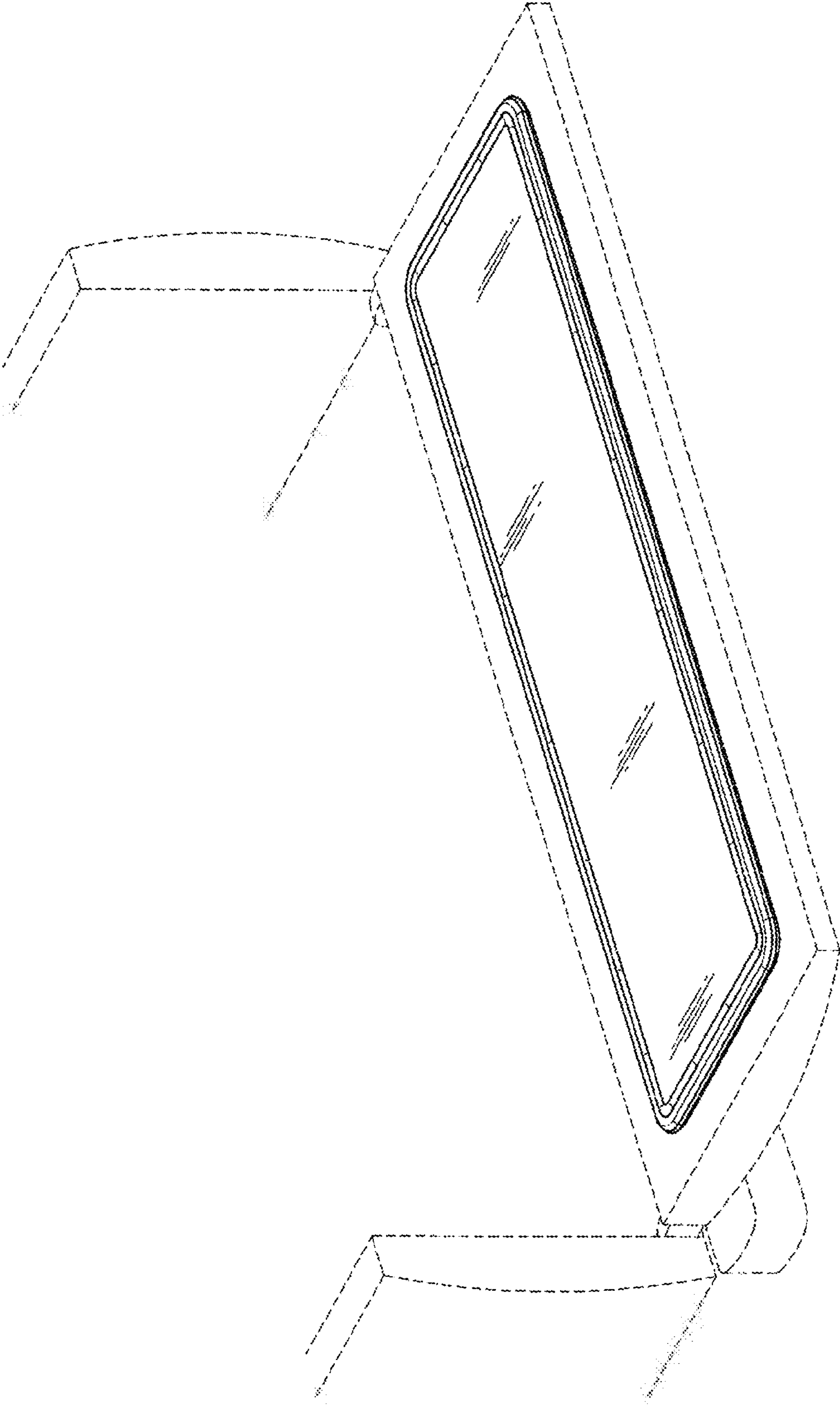


FIG. 1

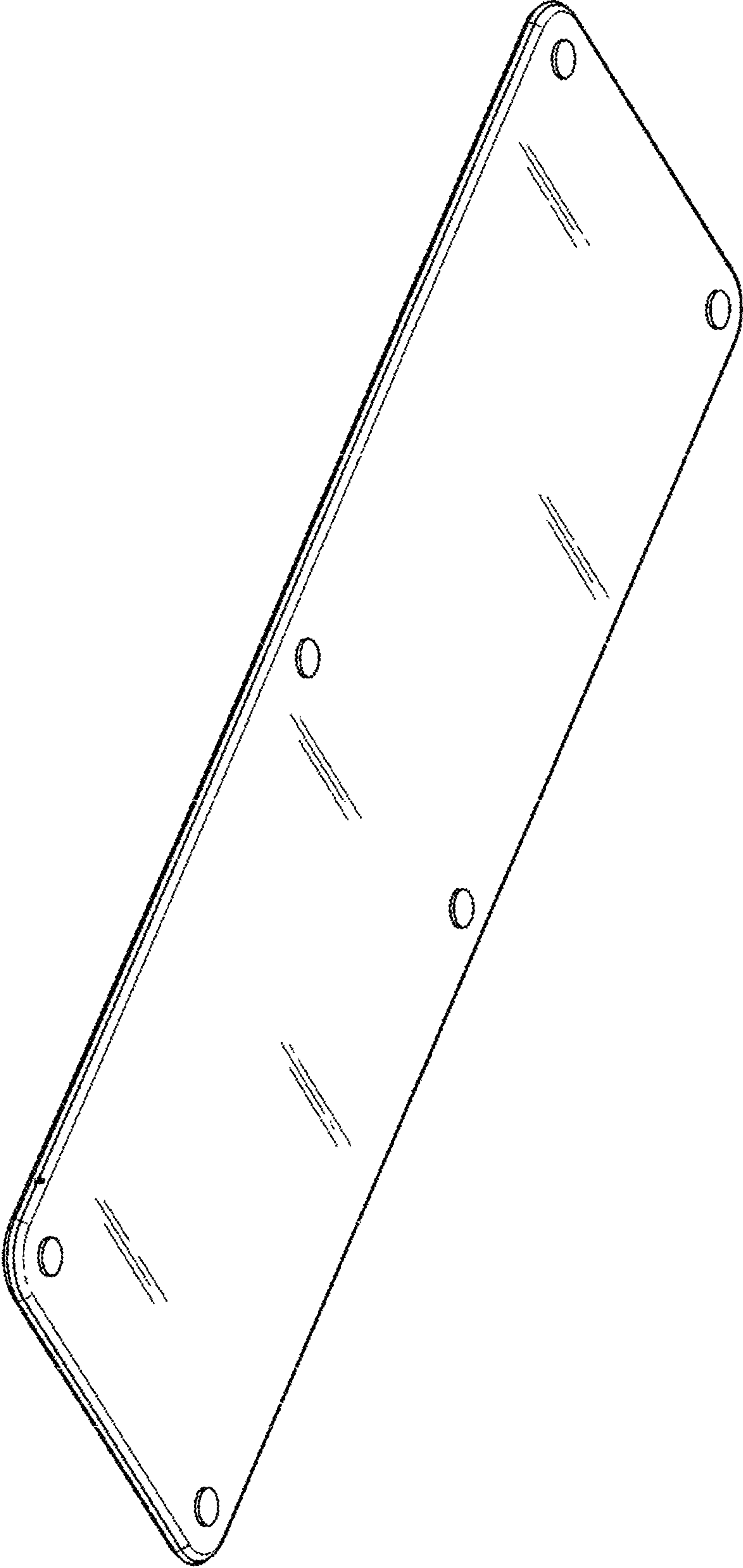


FIG. 2

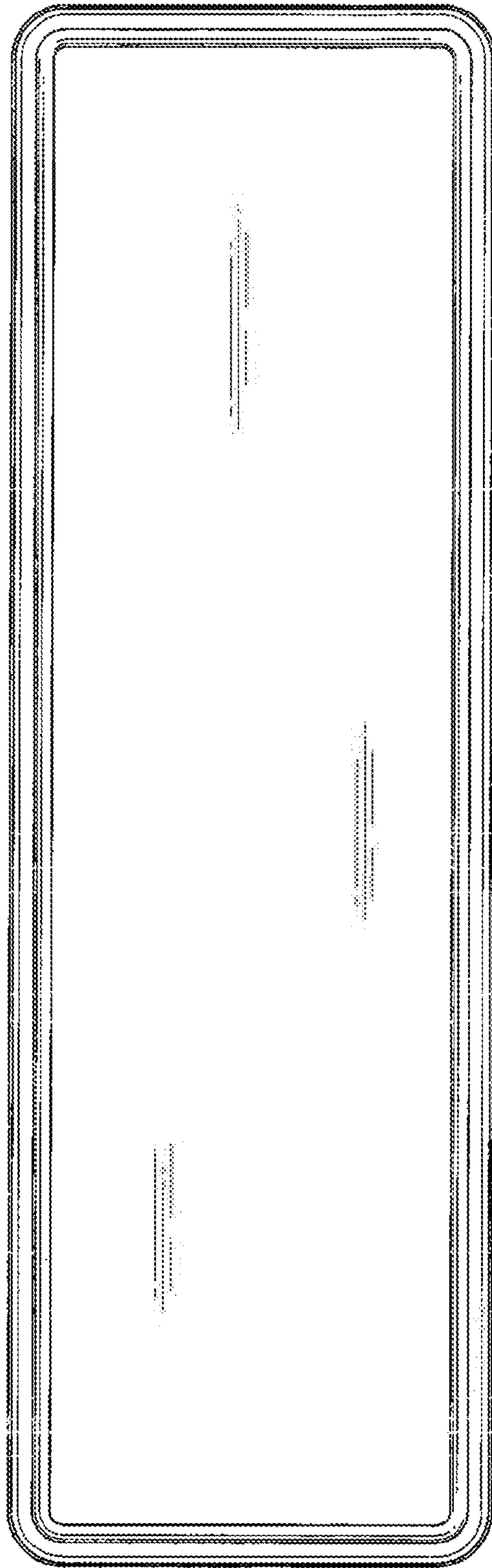


FIG. 3

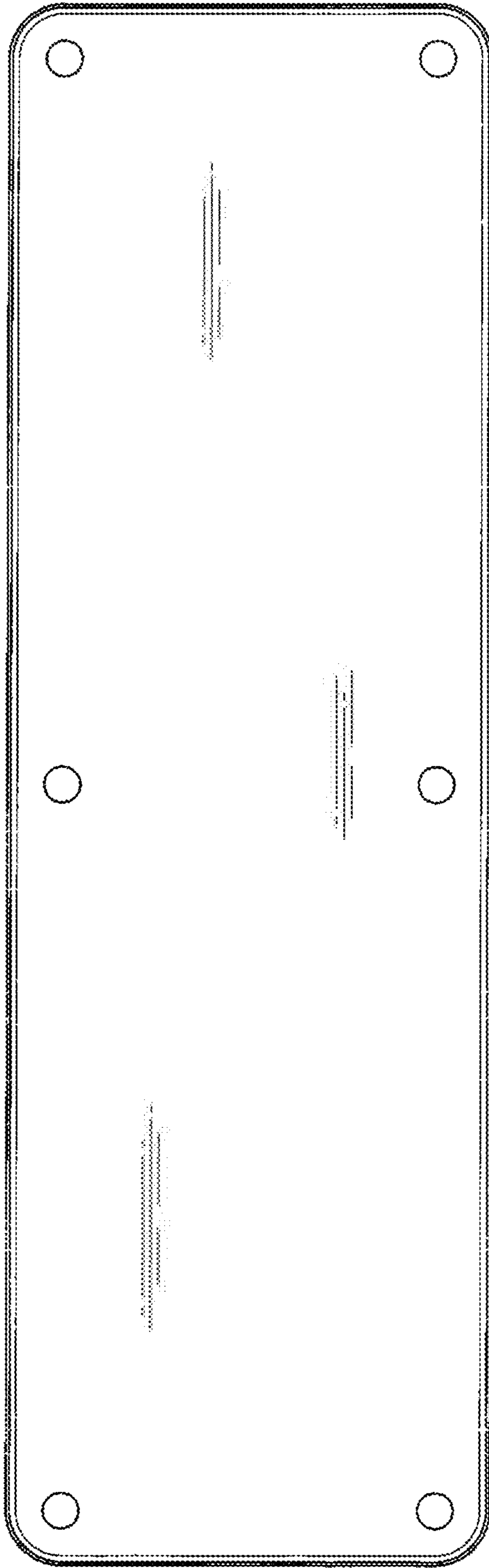


FIG. 4



FIG. 5

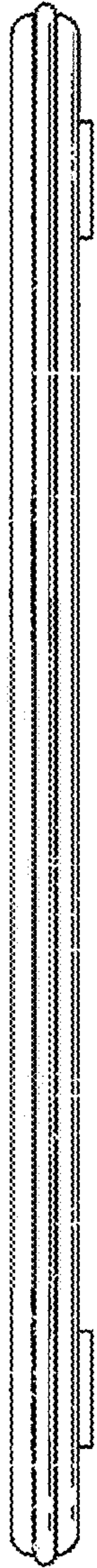


FIG. 6