



US00D738803S

(12) **United States Design Patent**  
**Zhu**

(10) **Patent No.:** **US D738,803 S**

(45) **Date of Patent:** **\*\* Sep. 15, 2015**

(54) **VEHICLE SIDE STEP ASSIST**

(71) Applicant: **WINBO DONGJIAN AUTO ACCESSORIES MANUFACTURING CO., LTD.**, Foshan, Guangdong Province (CN)

(72) Inventor: **Hanxian Zhu**, Foshan (CN)

(73) Assignee: **WINBO DONGJIAN AUTO ACCESSORIES MANUFACTURING CO., LTD.**, Foshan, Guangdong Province (CN)

(\*\*) Term: **14 Years**

(21) Appl. No.: **29/506,804**

(22) Filed: **Oct. 20, 2014**

(51) **LOC (10) Cl.** ..... **12-16**

(52) **U.S. Cl.**  
USPC ..... **D12/203**

(58) **Field of Classification Search**  
USPC ..... D12/89, 203, 314; 182/64.1, 127; 280/5.3, 163, 164.2, 166, 169, 291; D6/567, 583, 585, 705, 705.7, 706; D25/62, 63, 68, 69, 138, 152-158  
CPC B60C 11/0008; B60C 11/0041; B60C 11/01; B60C 11/12; E06C 1/005; E06C 1/02; E06C 5/00; E06C 5/02; E06C 5/04  
See application file for complete search history.

(56) **References Cited**

**U.S. PATENT DOCUMENTS**

D434,711 S \* 12/2000 McQuiston ..... D12/203  
D495,646 S \* 9/2004 Elwell et al. .... D12/203  
D497,338 S \* 10/2004 Metros et al. .... D12/203

D513,725 S \* 1/2006 Metros et al. .... D12/203  
D535,928 S \* 1/2007 Crandall ..... D12/203  
D539,717 S \* 4/2007 Hussaini et al. .... D12/203  
D546,259 S \* 7/2007 Metros et al. .... D12/203  
7,287,770 B2 \* 10/2007 Drabant et al. .... 280/163  
D632,627 S \* 2/2011 Huang-Tsai ..... D12/203  
D656,873 S \* 4/2012 Barnhart ..... D12/203  
D676,368 S \* 2/2013 Cover ..... D12/203  
2012/0104718 A1 \* 5/2012 Alvarez et al. .... 280/163

\* cited by examiner

*Primary Examiner* — George D Kirschbaum

*Assistant Examiner* — Natasha Vujcic

(74) *Attorney, Agent, or Firm* — Cheng-Ju Chiang

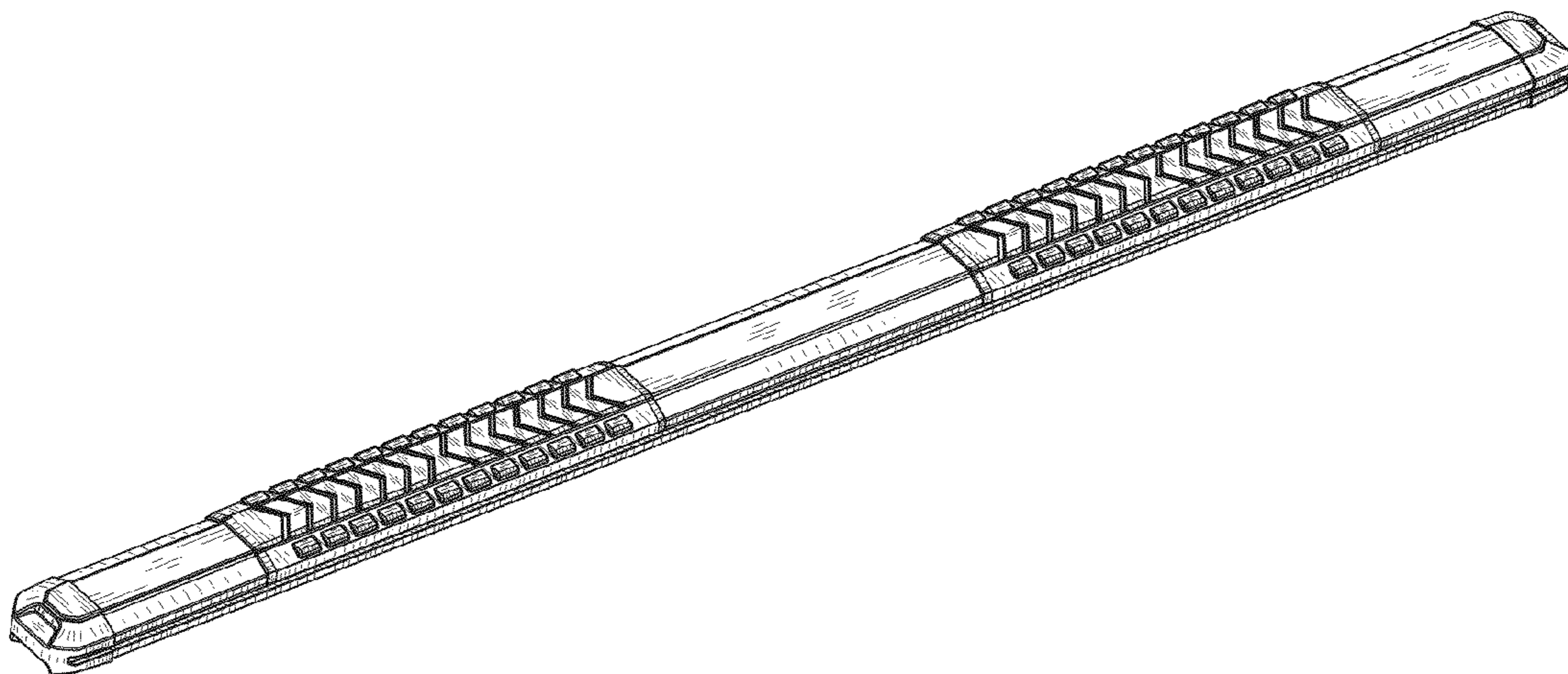
(57) **CLAIM**

The ornamental design for a vehicle side step assist, as shown and described.

**DESCRIPTION**

FIG. 1 is a perspective view of a vehicle side step assist showing my new design;  
FIG. 2 is a front elevational view thereof;  
FIG. 3 is a rear elevational view thereof;  
FIG. 4 is a left side elevational view thereof;  
FIG. 5 is a right side elevational view thereof;  
FIG. 6 is a top plan view thereof;  
FIG. 7 is a bottom plan view thereof; and  
FIG. 8 is a perspective view of the vehicle side step assist of FIG. 1 with a plurality of connective parts attached.  
FIG. 9 is a bottom plan view of the vehicle side step assist of FIG. 8; and,  
FIG. 10 is an enlarged left side elevational view of the vehicle side step assist of FIG. 8.  
The broken lines in the drawings illustrate portions of the vehicle side step assist and form no part of the claimed design.

**1 Claim, 10 Drawing Sheets**



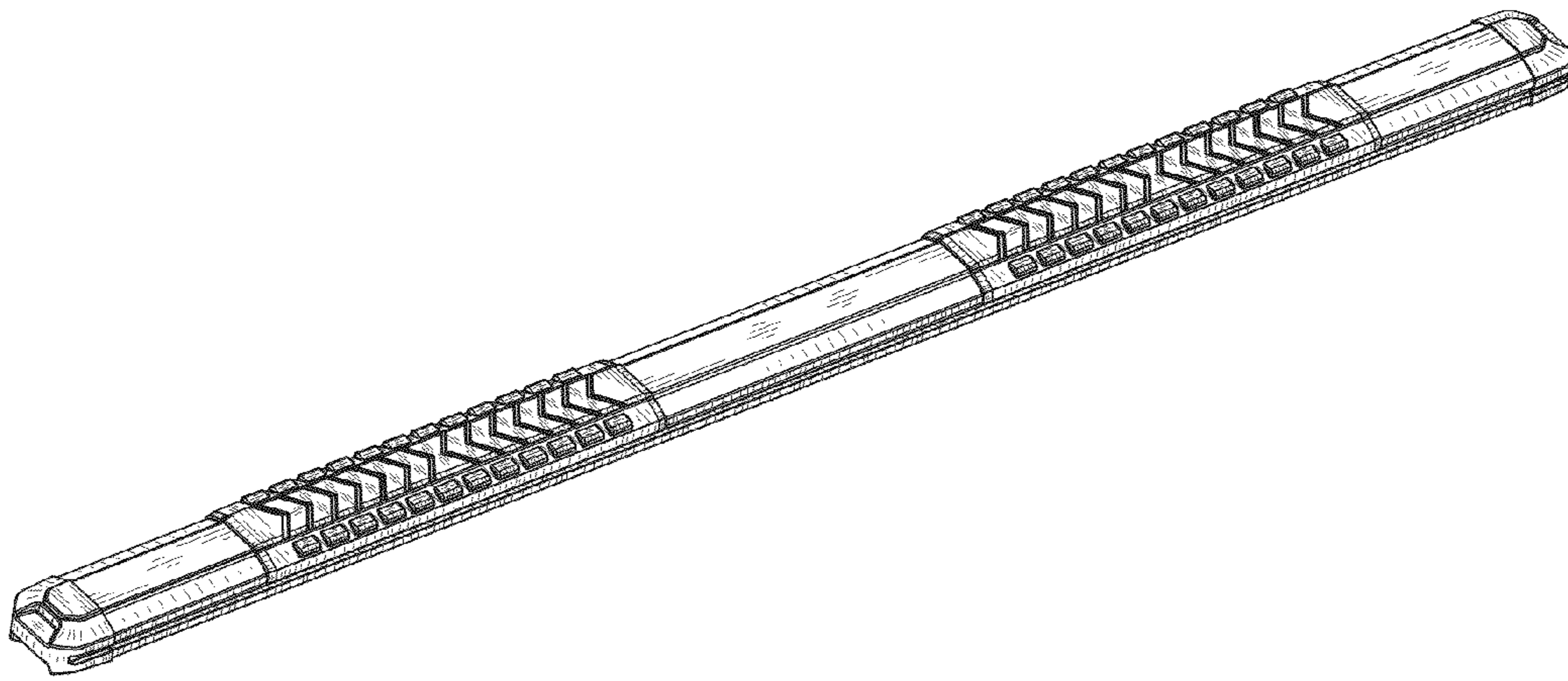


FIG. 1



FIG. 2

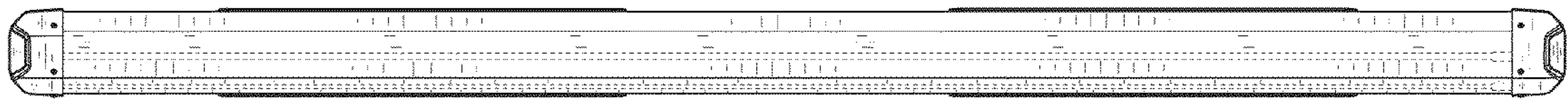


FIG. 3

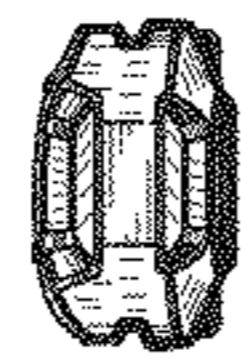


FIG. 4

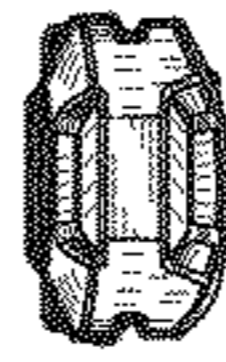


FIG. 5



FIG. 6



FIG. 7



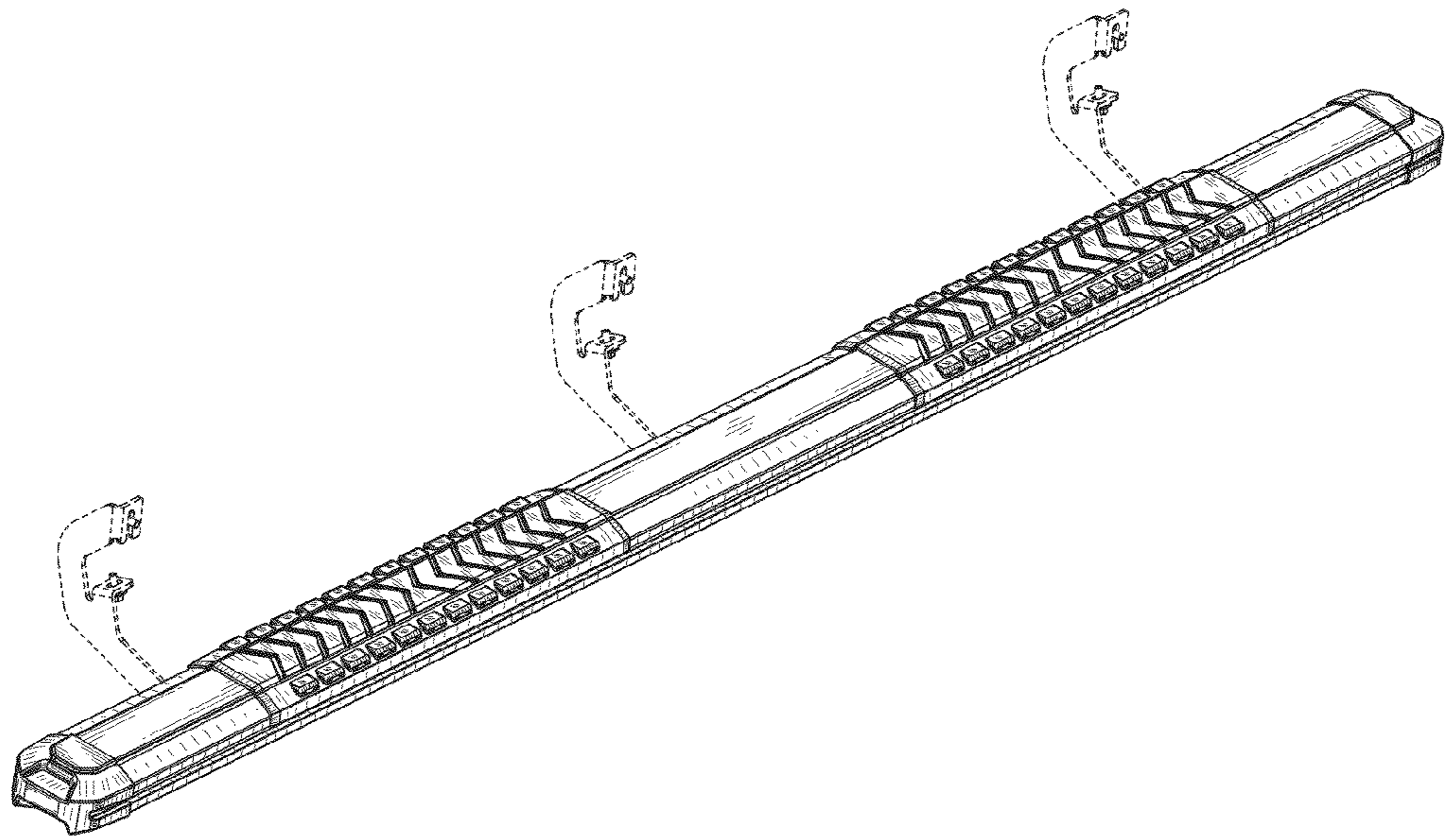


FIG. 8

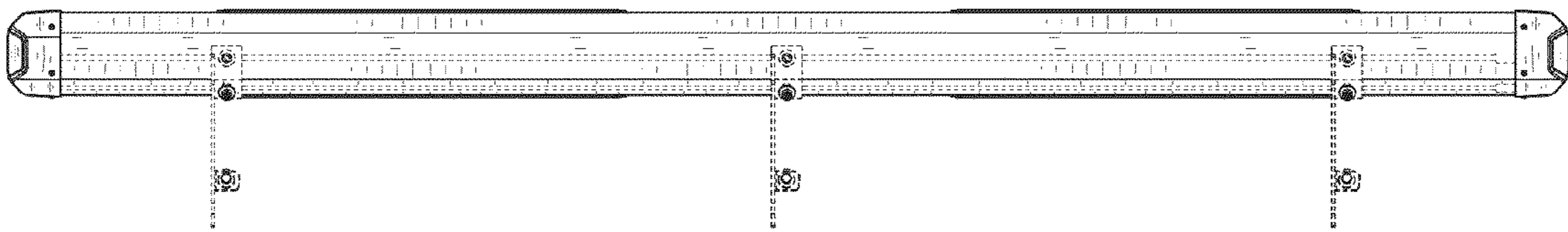


FIG. 9

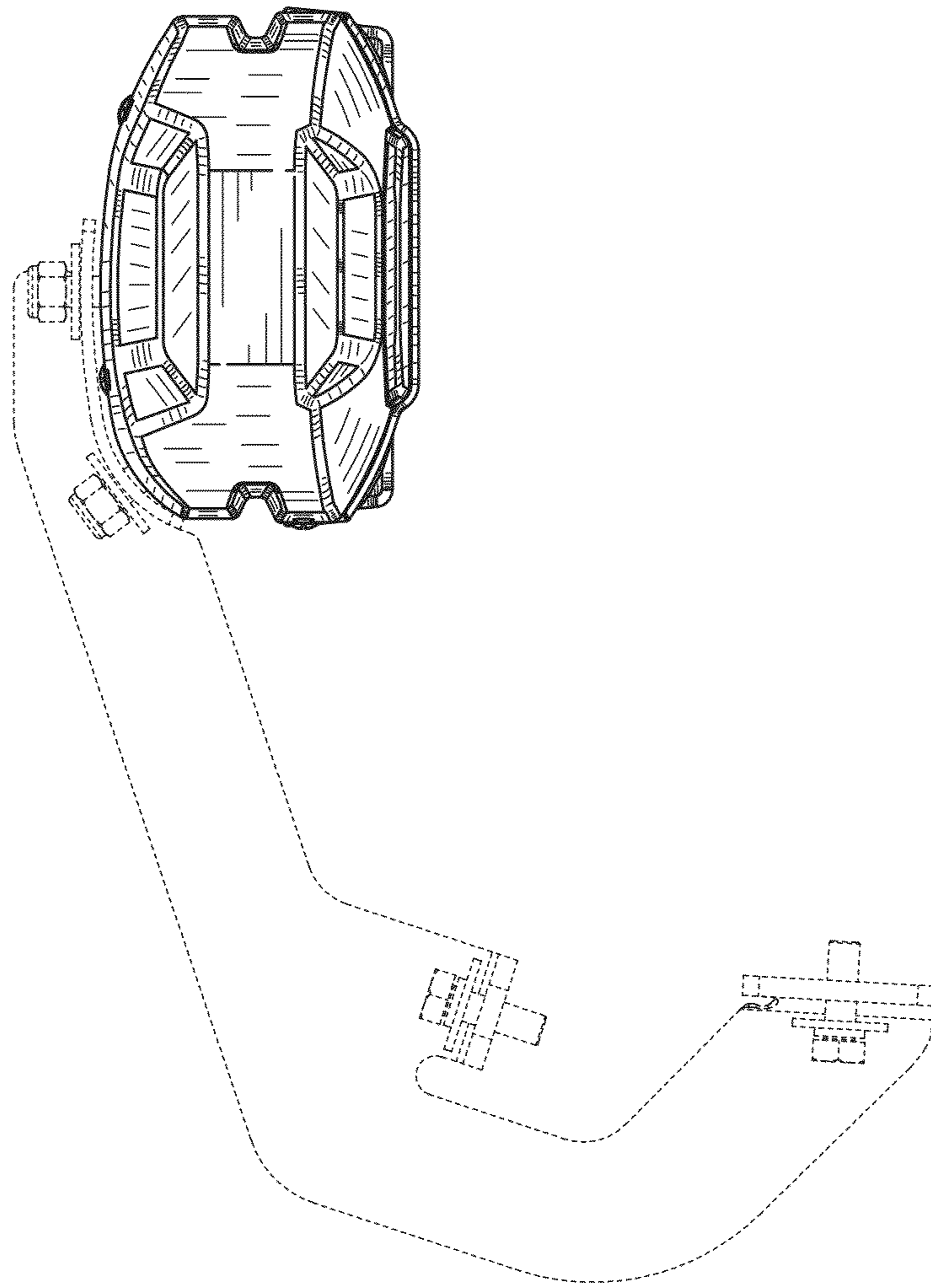


FIG. 10