



US00D738801S

(12) **United States Design Patent**
Canitano, Jr.

(10) **Patent No.:** **US D738,801 S**

(45) **Date of Patent:** **** Sep. 15, 2015**

(54) **AUTOMOBILE WINDOW SWITCH
MOUNTING PLATE**

(71) Applicant: **Joseph Marcello Canitano, Jr.**, Palm
Bay, FL (US)

(72) Inventor: **Joseph Marcello Canitano, Jr.**, Palm
Bay, FL (US)

(**) Term: **14 Years**

(21) Appl. No.: **29/475,171**

(22) Filed: **Nov. 30, 2013**

(51) **LOC (10) Cl.** **12-08**

(52) **U.S. Cl.**
USPC **D12/195**

(58) **Field of Classification Search**
USPC D12/195, 193, 414, 190, 196;
280/750-752; 296/190.01-191, 70,
296/193.08, 145, 153, 37.1-37.13, 149,
296/146.1; 180/190; D15/17, 28; D10/46,
D10/98, 102-103; 49/501-502;
D8/302-303
CPC B60R 13/02
See application file for complete search history.

(56) **References Cited**

U.S. PATENT DOCUMENTS

D282,524 S * 2/1986 Armitage D8/353
6,037,542 A * 3/2000 McCall 174/66
D517,399 S * 3/2006 Jones D8/353

D612,314 S * 3/2010 Inagaki et al. D12/195
D612,785 S * 3/2010 Inagaki et al. D12/195
D615,017 S * 5/2010 Smith D12/195
D633,022 S * 2/2011 Hwang et al. D12/195
D633,023 S * 2/2011 Hwang et al. D12/195
2014/0217250 A1* 8/2014 Huynh 248/205.3

* cited by examiner

Primary Examiner — Kartina A Betton

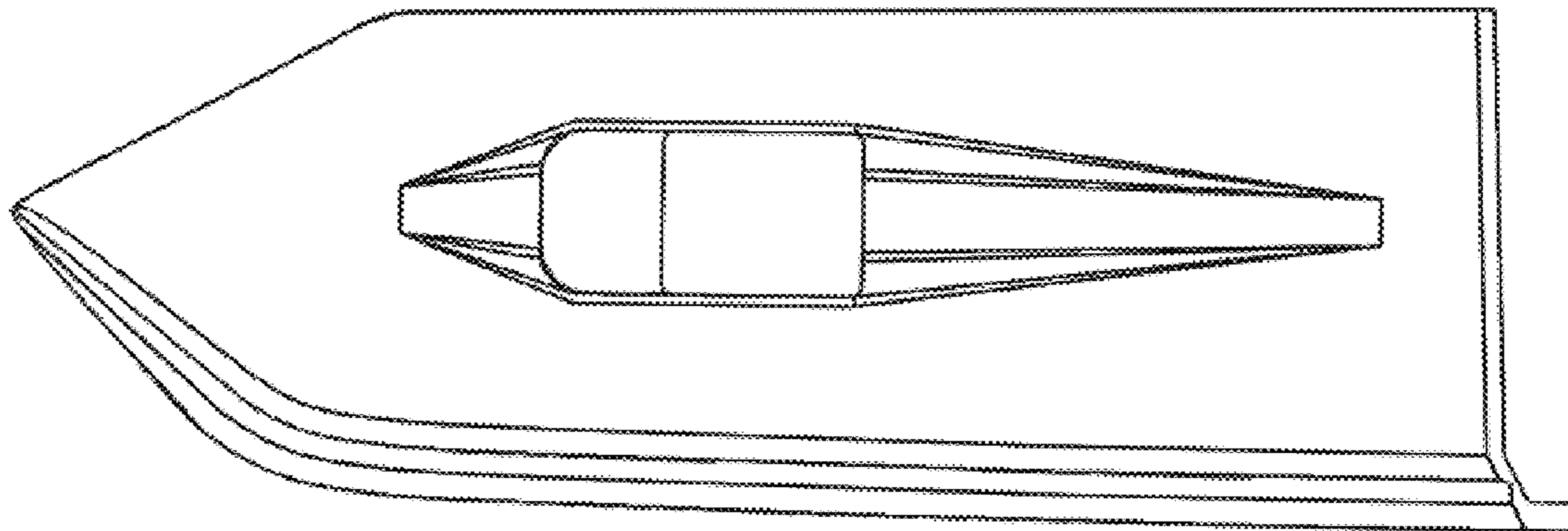
(57) **CLAIM**

The ornamental design for an automobile window switch mounting plate, as shown.

DESCRIPTION

FIG. 1 is a perspective view depicting an automobile window switch mounting plate in accordance with the present invention.
FIG. 2 is a right side view of the automobile window switch mounting plate depicted in fig. 1;
FIG. 3 is a front view of automobile window switch mounting plate depicted in FIG. 1;
FIG. 4 is a bottom view of the automobile window switch mounting plate depicted in FIG. 1;
FIG. 5 is a top view of the automobile window switch mounting plate depicted in FIG. 1;
FIG. 6 is a left side view of the automobile window switch mounting plate depicted in FIG. 1; and,
FIG. 7 is a rear view of the automobile window switch mounting plate depicted in FIG. 1.

1 Claim, 7 Drawing Sheets



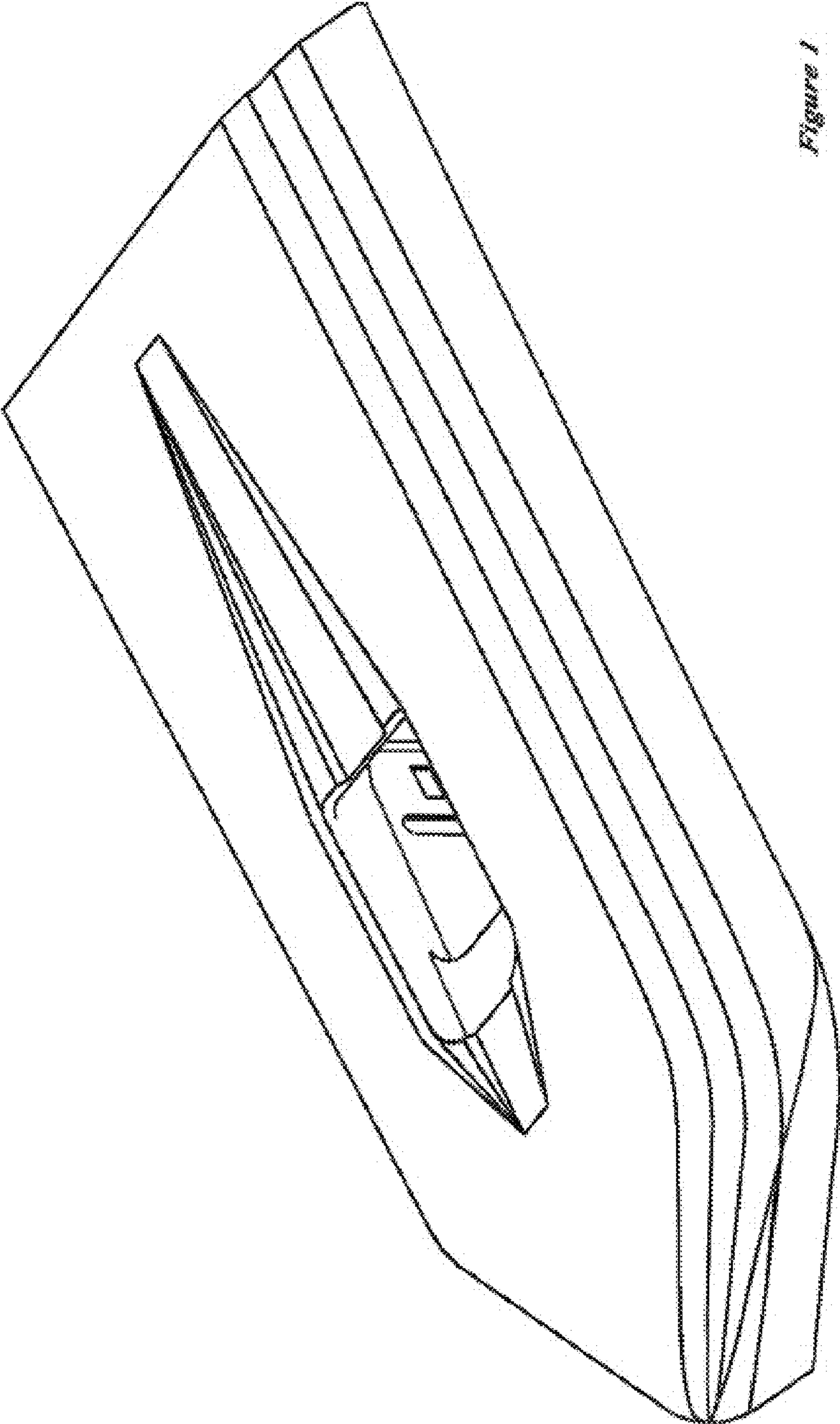


Figure 1

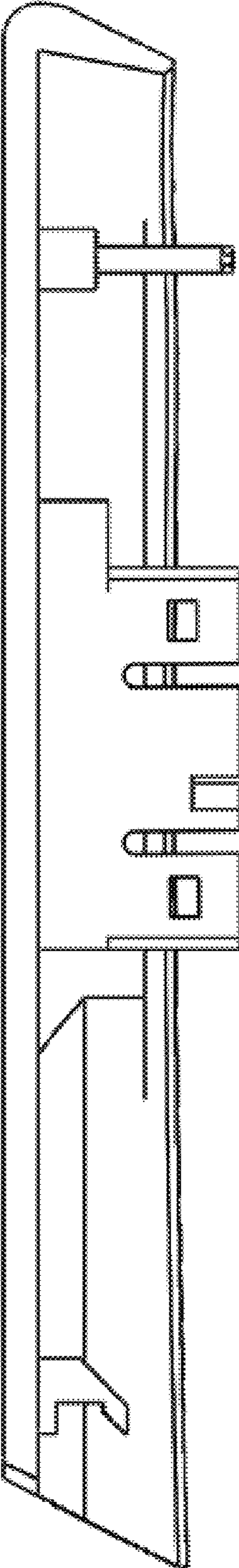


Figure 2

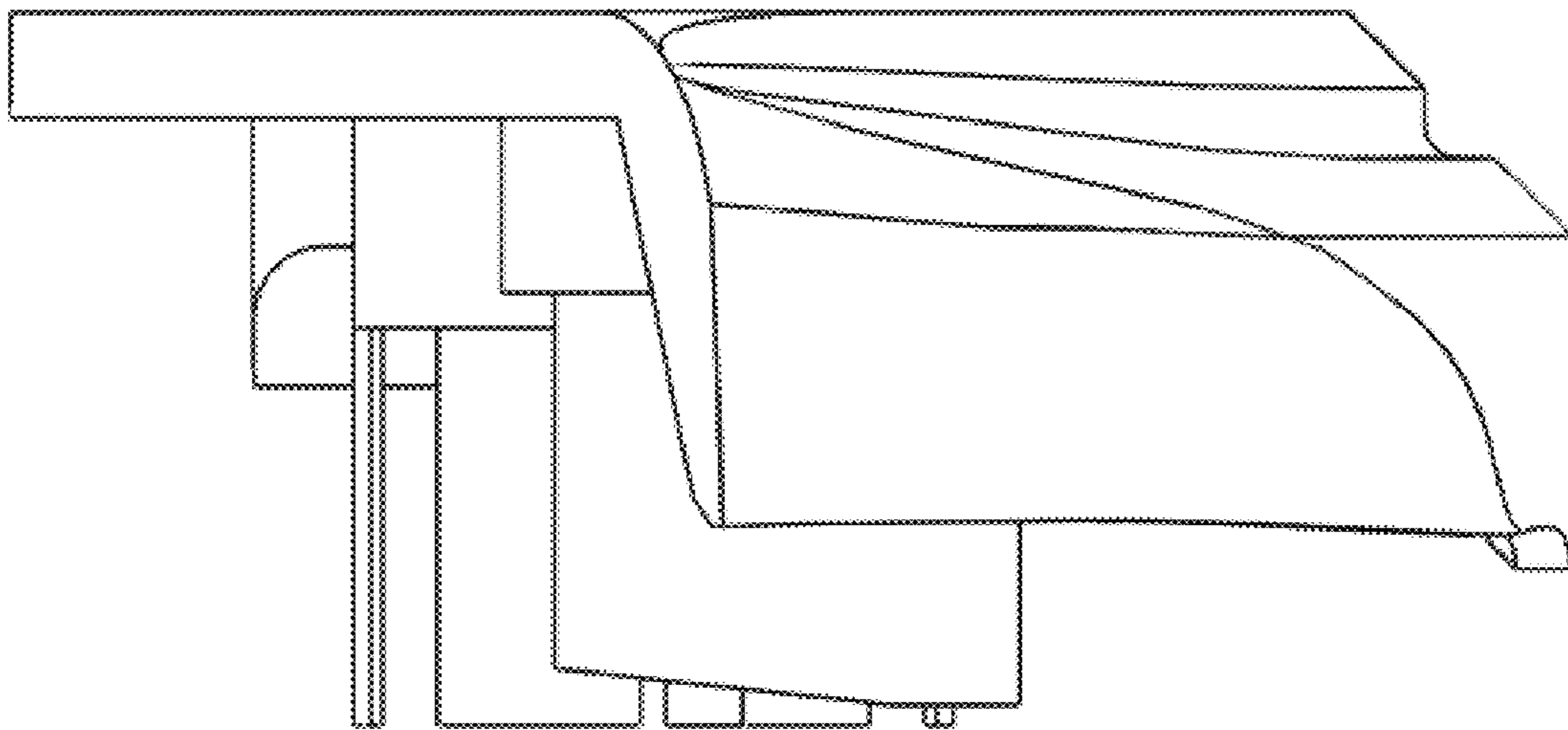


Figure 3

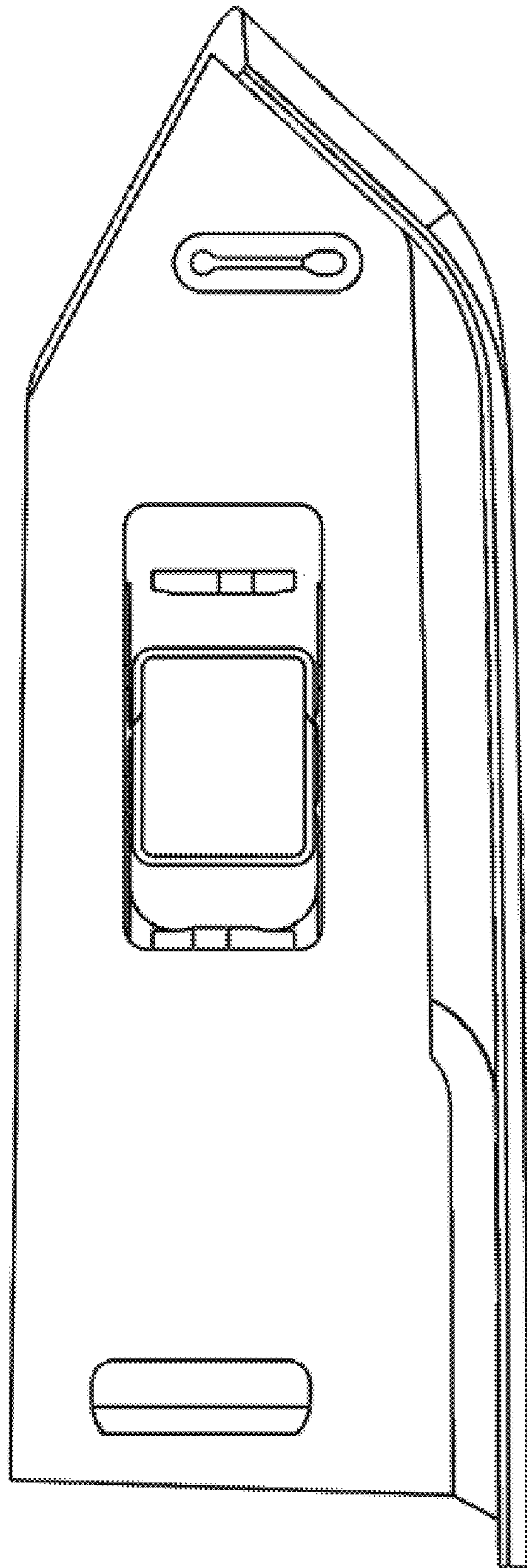


Figure 4

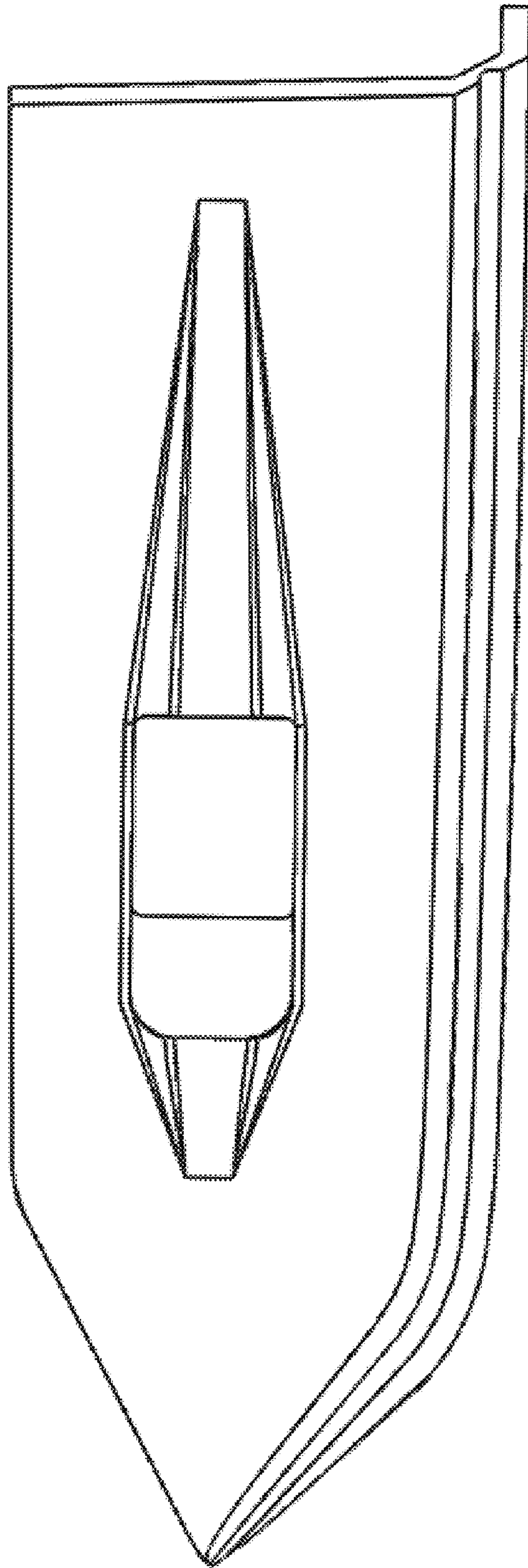


Figure 5

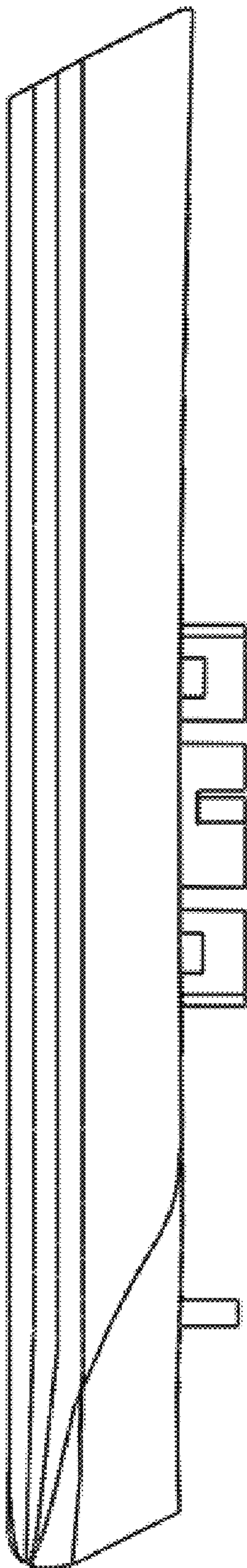


Figure 6

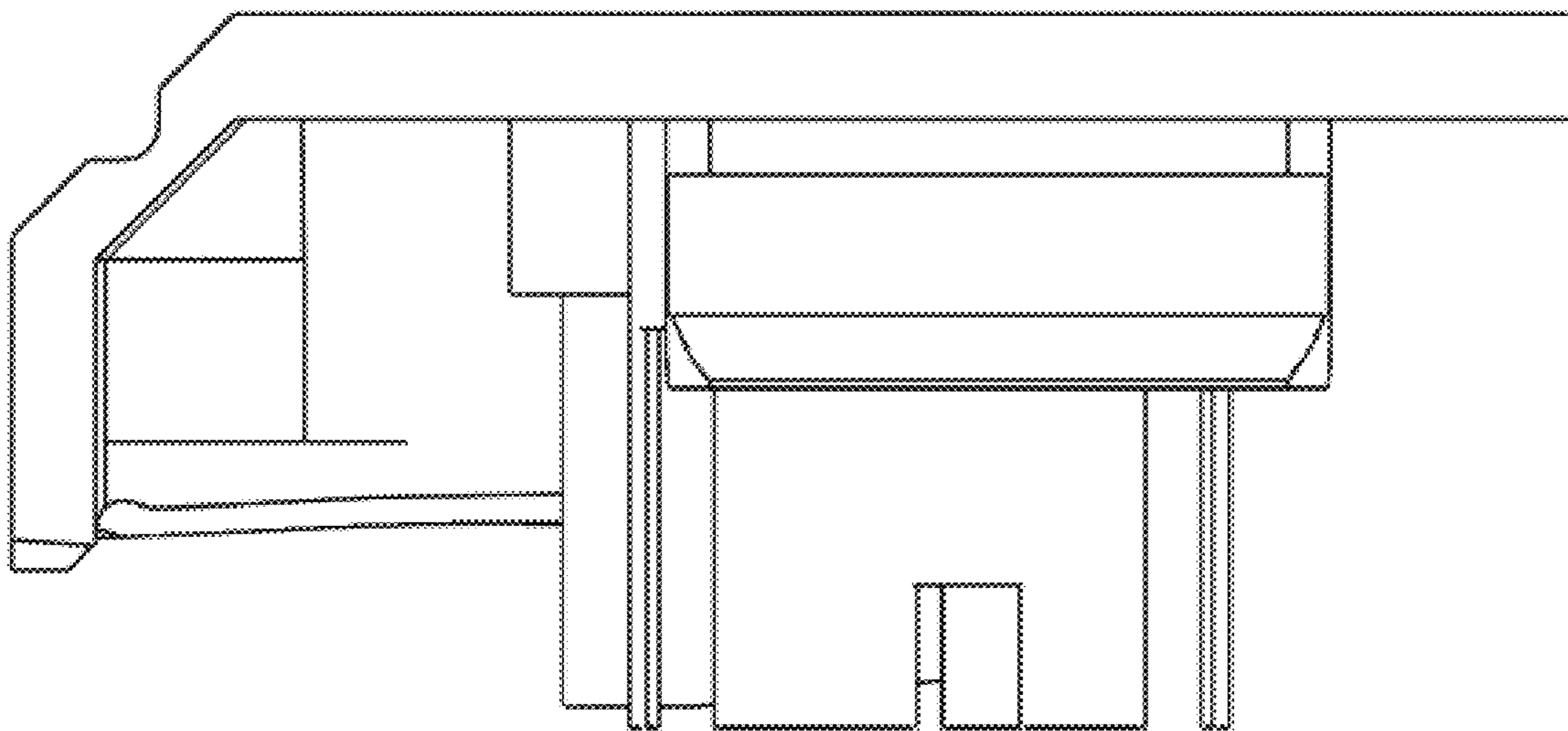


Figure 7