



US00D738796S

(12) **United States Design Patent**
DePietro et al.

(10) **Patent No.:** **US D738,796 S**

(45) **Date of Patent:** **** Sep. 15, 2015**

(54) **HITCH BALL MOUNT**

224/413, 488, 494, 500-501, 519, 537;
135/88.05; 150/166

(71) Applicant: **Cequent Consumer Products, Inc.**,
Solon, OH (US)

See application file for complete search history.

(72) Inventors: **Thomas DePietro**, Solon, OH (US);
Francis Bernart, North Canton, OH
(US)

(56) **References Cited**

U.S. PATENT DOCUMENTS

6,974,148 B2 * 12/2005 Moss et al. 280/511
7,204,505 B2 * 4/2007 Moss 280/491.1
7,222,510 B2 * 5/2007 Andersen 72/255

(73) Assignee: **Cequent Consumer Products, Inc.**,
Solon, OH (US)

* cited by examiner

(**) Term: **14 Years**

Primary Examiner — Katrina A Betton

(21) Appl. No.: **29/500,358**

(74) *Attorney, Agent, or Firm* — McDonald Hopkins LLC

(22) Filed: **Aug. 25, 2014**

(57) **CLAIM**

The ornamental design of a hitch ball mount, as shown and described.

Related U.S. Application Data

DESCRIPTION

(62) Division of application No. 29/425,461, filed on Jun. 22, 2012, now Pat. No. Des. 714,194.

(51) **LOC (10) Cl.** **12-16**

(52) **U.S. Cl.**
USPC **D12/162**

(58) **Field of Classification Search**
USPC D12/162, 159-161; 56/DIG. 14; 37/399;
280/406.2, 407, 407.1, 408, 411.1,
280/416.1, 416.2, 416.3, 418, 418.1, 433,
280/434, 435, 441.1, 441.2, 455.1, 456.1,
280/480, 493, 504, 507, 508; 224/42.11,
224/42.12, 42.14, 42.26, 400, 401, 412,

FIG. 1 is a top perspective view of a hitch ball mount showing our new design;

FIG. 2 is a side view thereof;

FIG. 3 is a front view thereof;

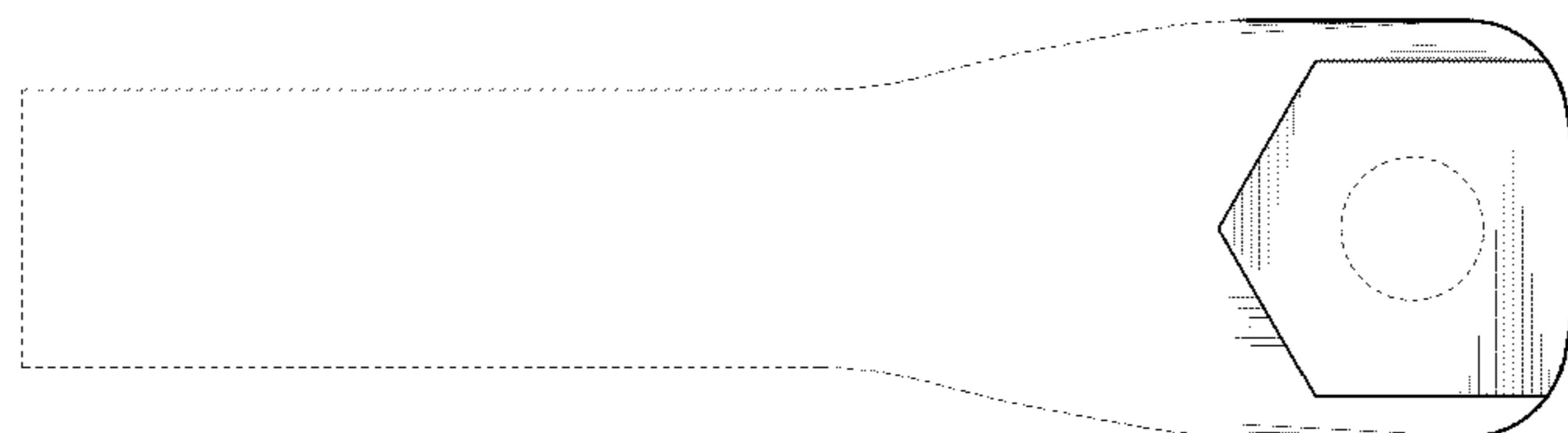
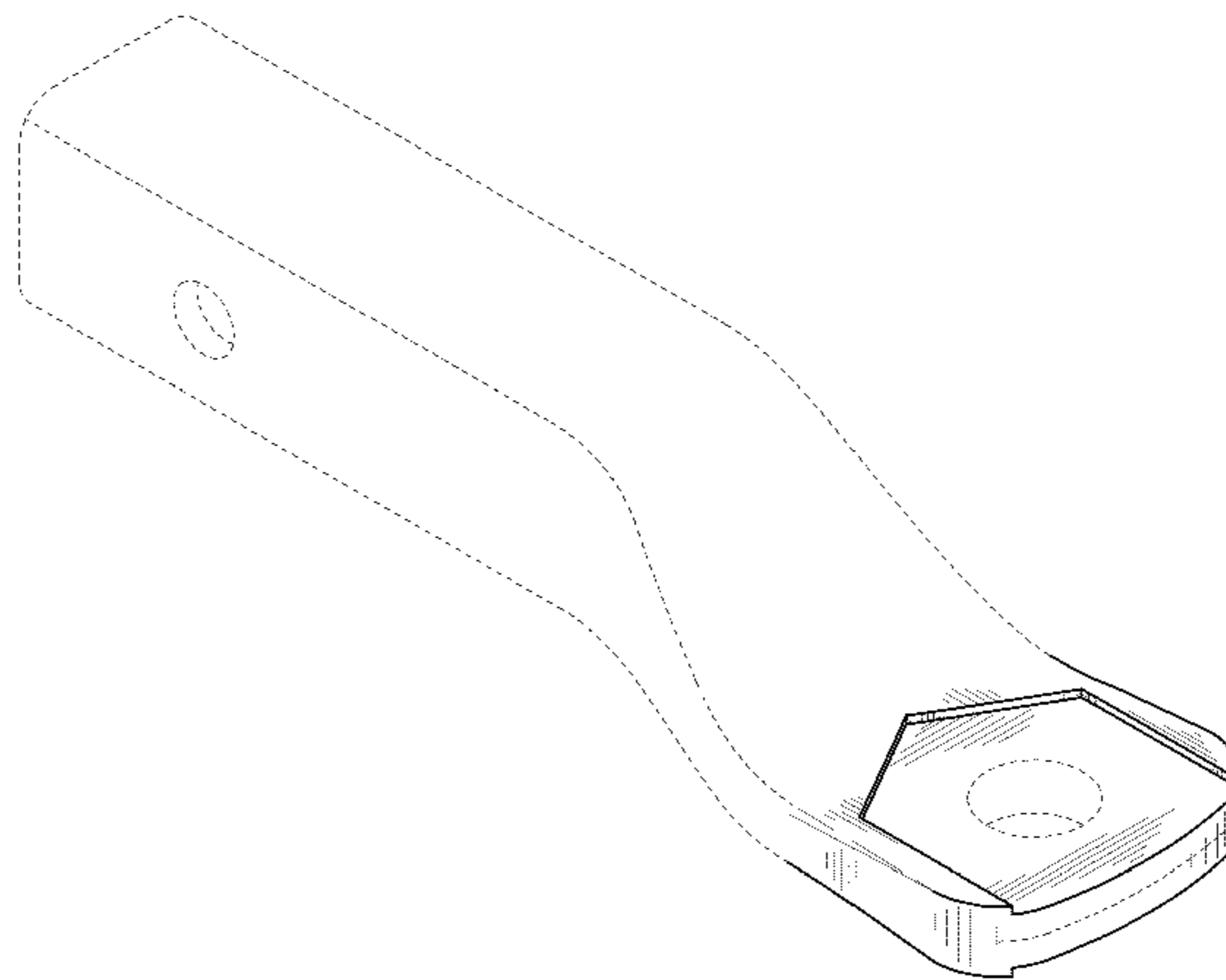
FIG. 4 is a rear view thereof;

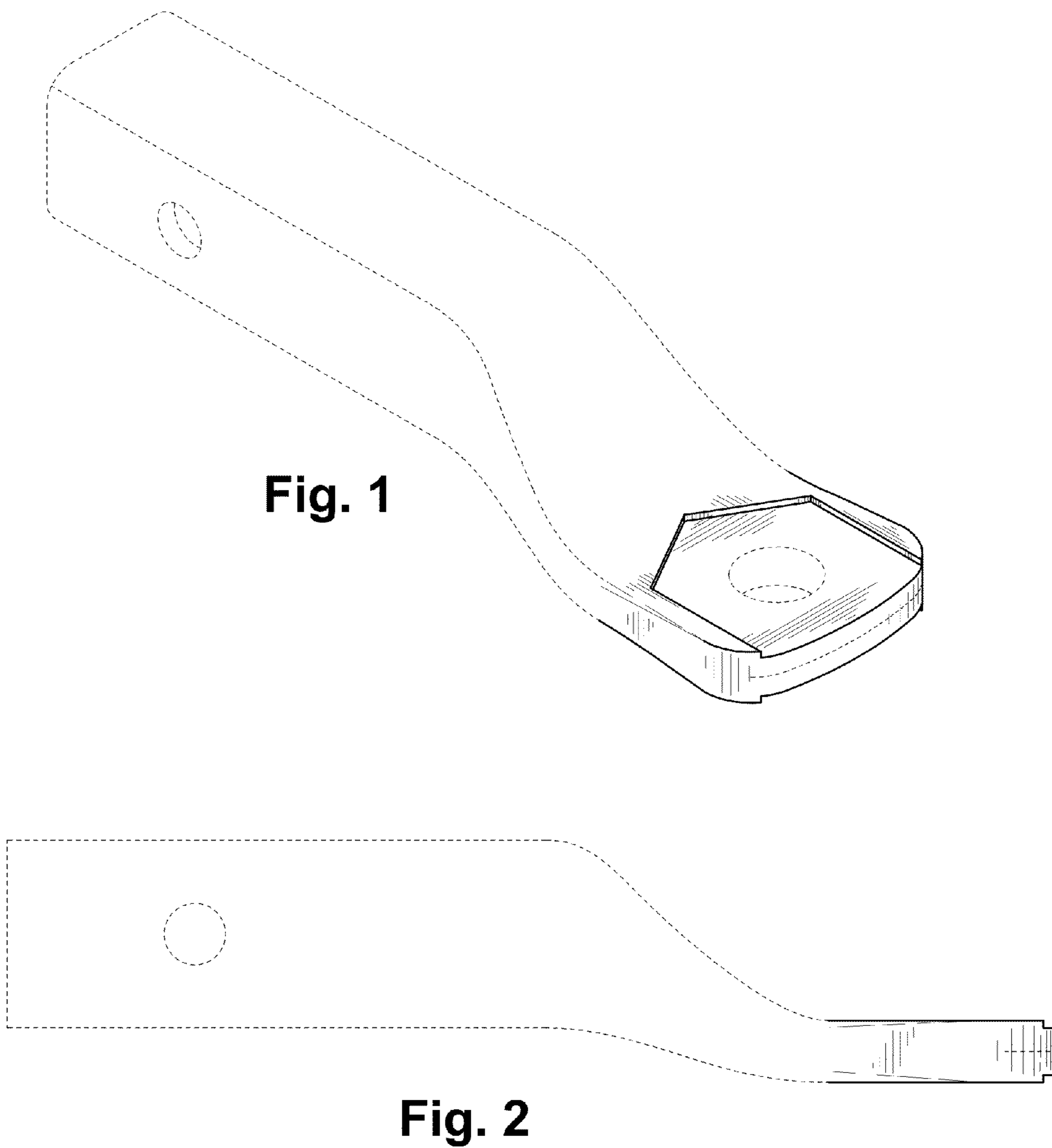
FIG. 5 is a top view thereof; and,

FIG. 6 is a bottom view thereof.

The broken lines in the figures are included for the purpose of illustrating portions of a hitch ball mount and form no part of the claimed design.

1 Claim, 2 Drawing Sheets





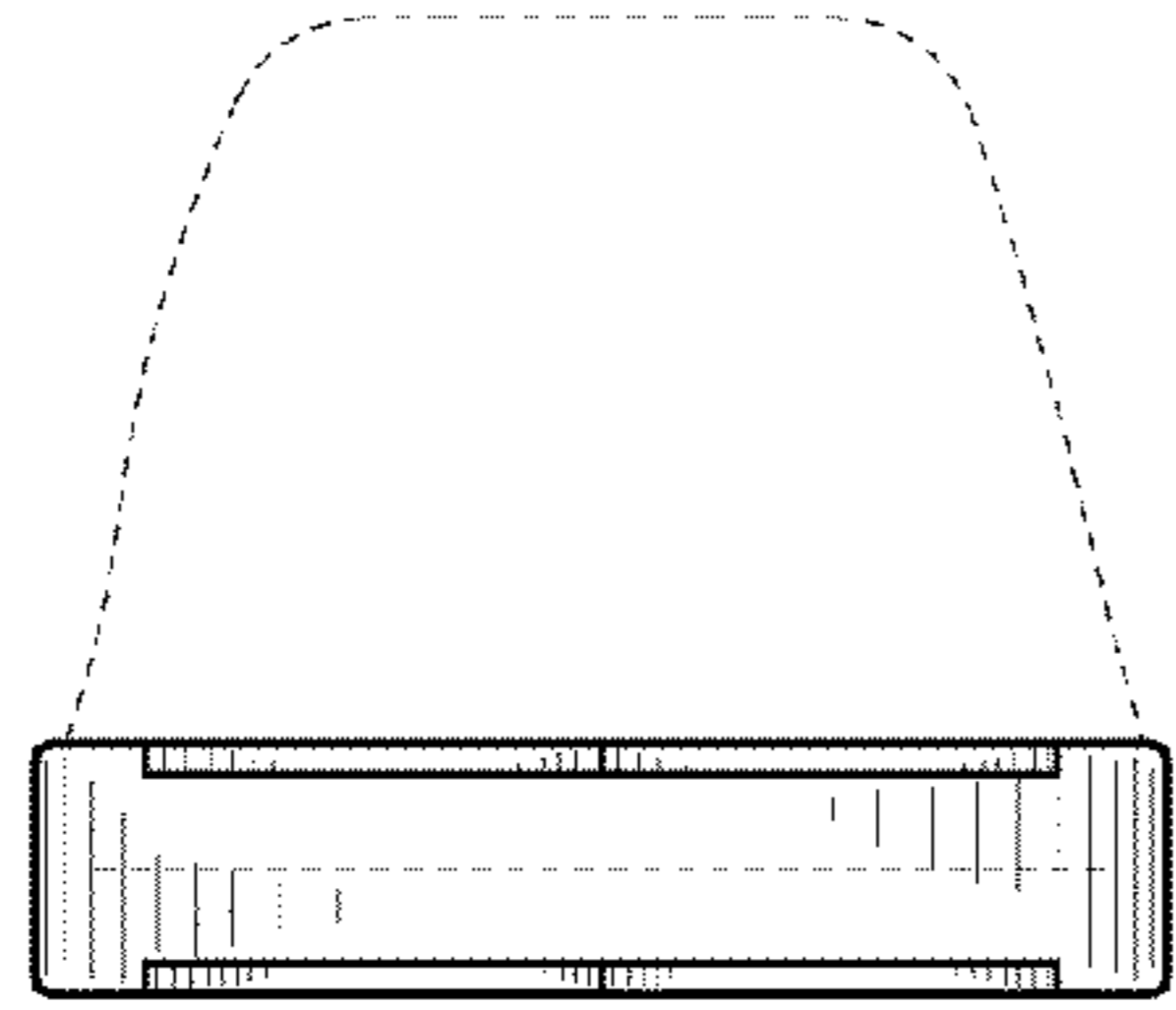


Fig. 3

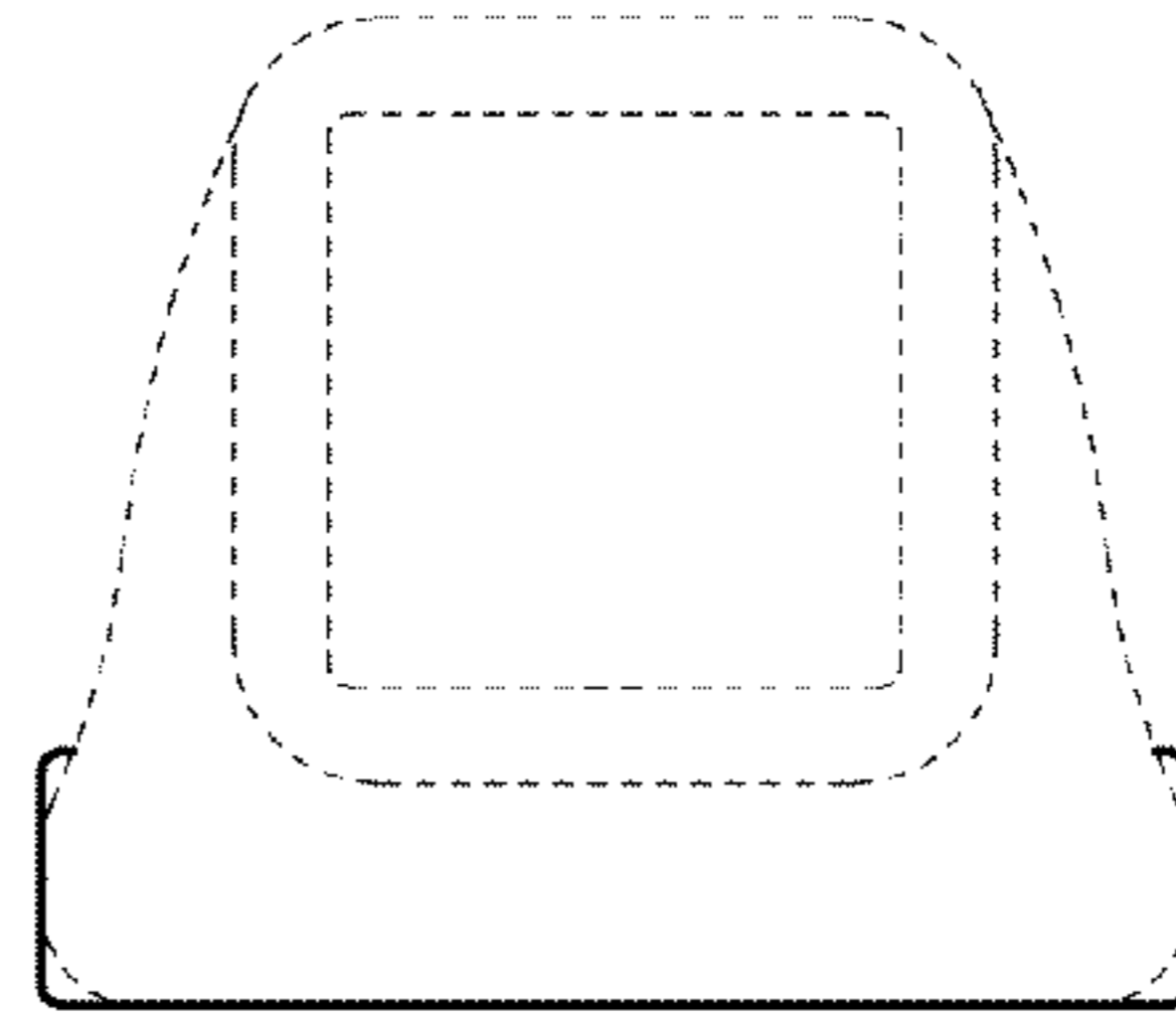


Fig. 4

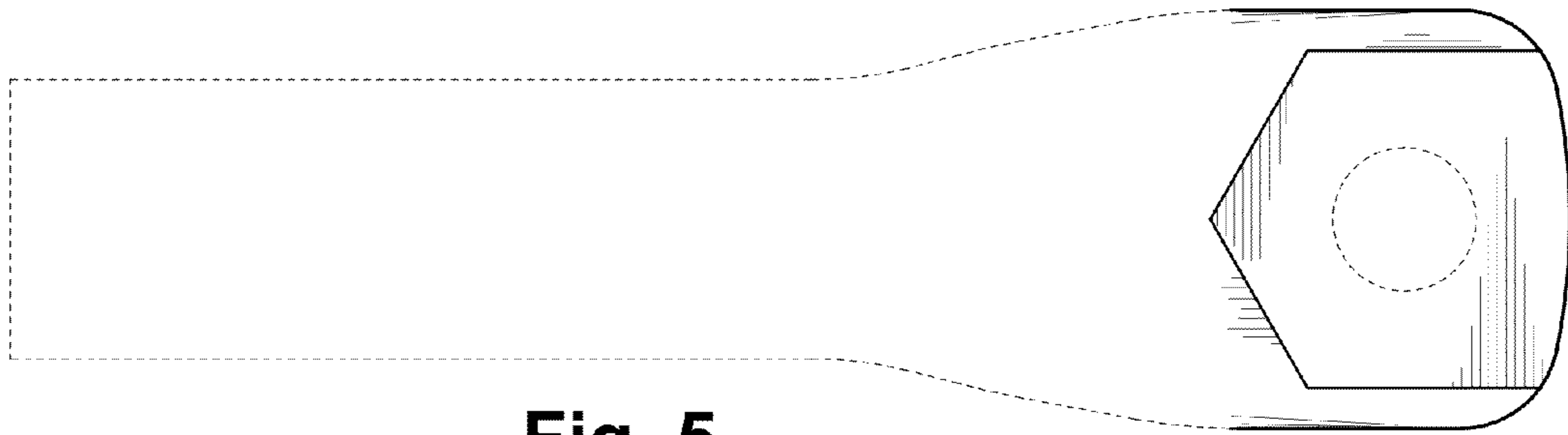


Fig. 5



Fig. 6