

US00D738788S

(12) **United States Design Patent**
Garand et al.

(10) **Patent No.:** **US D738,788 S**

(45) **Date of Patent:** **** Sep. 15, 2015**

(54) **MOTOR VEHICLE AND/OR TOY REPLICA**

(71) Applicant: **AUDI AG**, Ingolstadt (DE)

(72) Inventors: **Dany Garand**, Ingolstadt (DE);
Andreas Mindt, Erkerode (DE);
Juergen Loeffler, Gaimersheim (DE)

(73) Assignee: **AUDI AG**, Ingolstadt (DE)

(**) Term: **14 Years**

(21) Appl. No.: **29/494,406**

(22) Filed: **Jun. 20, 2014**

(30) **Foreign Application Priority Data**

Dec. 20, 2013 (EM) 002375402

(51) **LOC (10) Cl.** **12-08**

(52) **U.S. Cl.**
USPC **D12/92**

(58) **Field of Classification Search**
USPC D12/86, 90-92; D21/421, 433, 434;
296/181.1, 181.5
CPC B62D 35/00; B62D 25/00; B62D 25/06;
B62D 25/08; B62D 33/00
See application file for complete search history.

(56) **References Cited**

U.S. PATENT DOCUMENTS

D534,098 S * 12/2006 Schell D12/92
D570,737 S * 6/2008 Dean et al. D12/92
D573,511 S * 7/2008 Sato et al. D12/92

D628,939 S * 12/2010 Komuro D12/92
D629,718 S * 12/2010 Reichman et al. D12/92
D636,706 S * 4/2011 Ward D12/92
D638,754 S * 5/2011 Faghihzadeh D12/92
D639,209 S * 6/2011 Faghihzadeh D12/92
D640,603 S * 6/2011 Ham D12/92
D641,666 S * 7/2011 Yi D12/92
D669,000 S * 10/2012 Uchiyama et al. D12/92
D670,201 S * 11/2012 Ham D12/92
D671,036 S * 11/2012 Inatomi et al. D12/92
D700,108 S * 2/2014 Badstuebner et al. D12/93

* cited by examiner

Primary Examiner — Melody N Brown

(74) *Attorney, Agent, or Firm* — Lucas & Mercanti, LLP;
Klaus P. Stoffel

(57) **CLAIM**

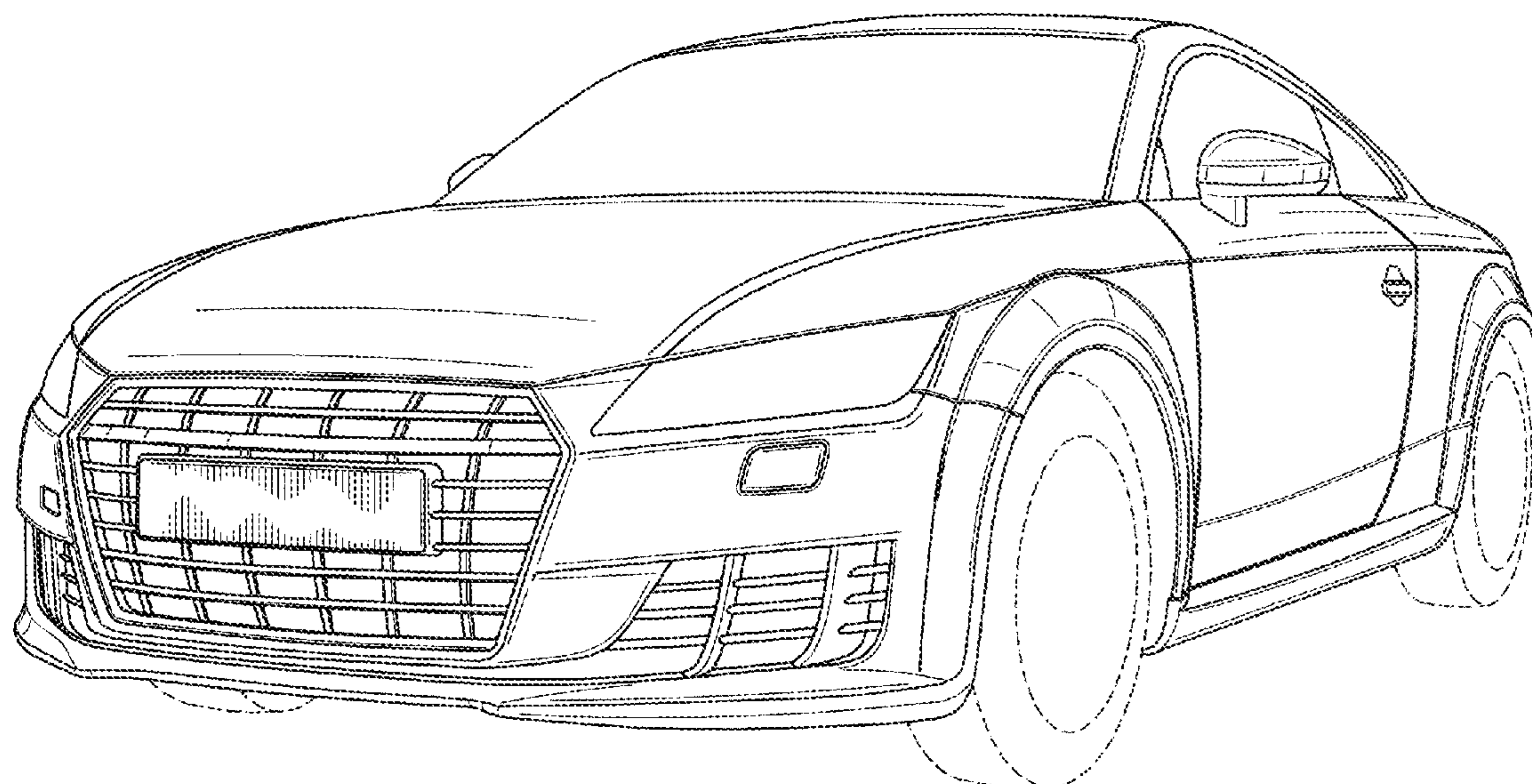
The ornamental design for a motor vehicle and/or toy replica,
as shown and described.

DESCRIPTION

FIG. 1 is a front, right side perspective view of the motor
vehicle and/or toy replica of the present invention;
FIG. 2 is a rear, right side perspective view thereof;
FIG. 3 is a left side view thereof;
FIG. 4 is a right side view thereof;
FIG. 5 is a front view thereof;
FIG. 6 is a rear view thereof; and,
FIG. 7 is a top view thereof.

The wheels shown in broken lines are for illustrative purpose
only and form no part of the claim design.

1 Claim, 7 Drawing Sheets



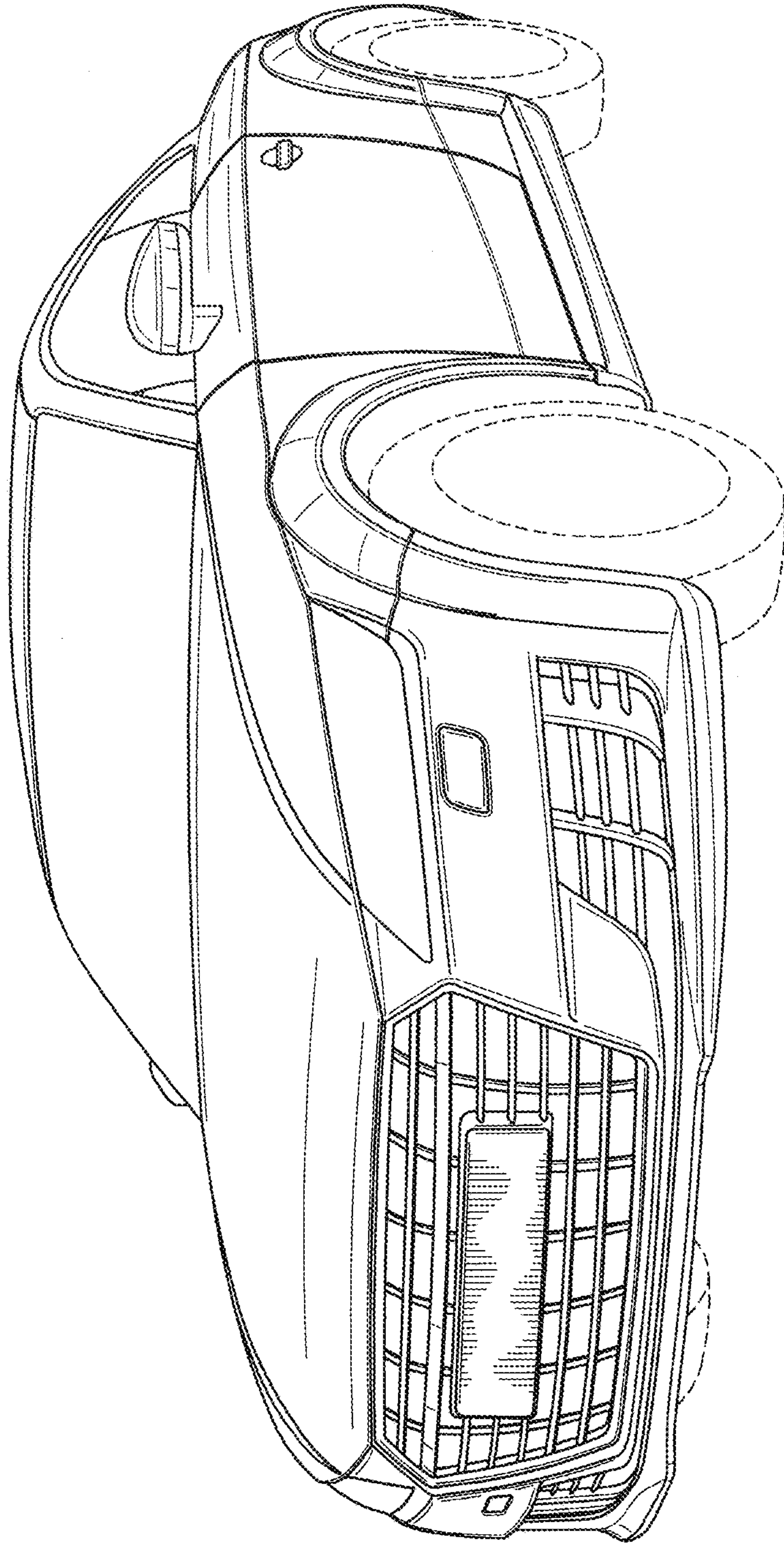


FIG. 1

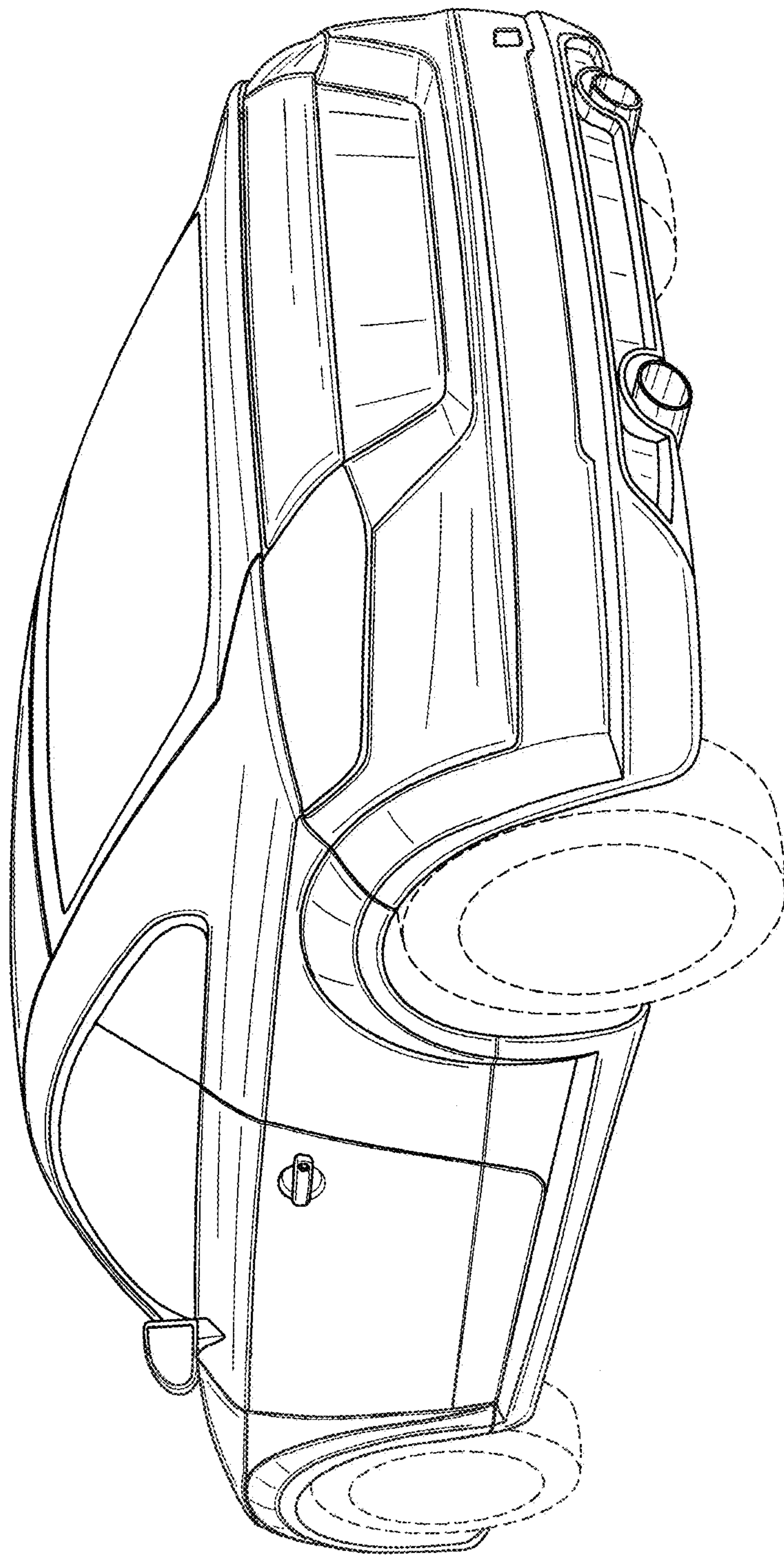


FIG. 2

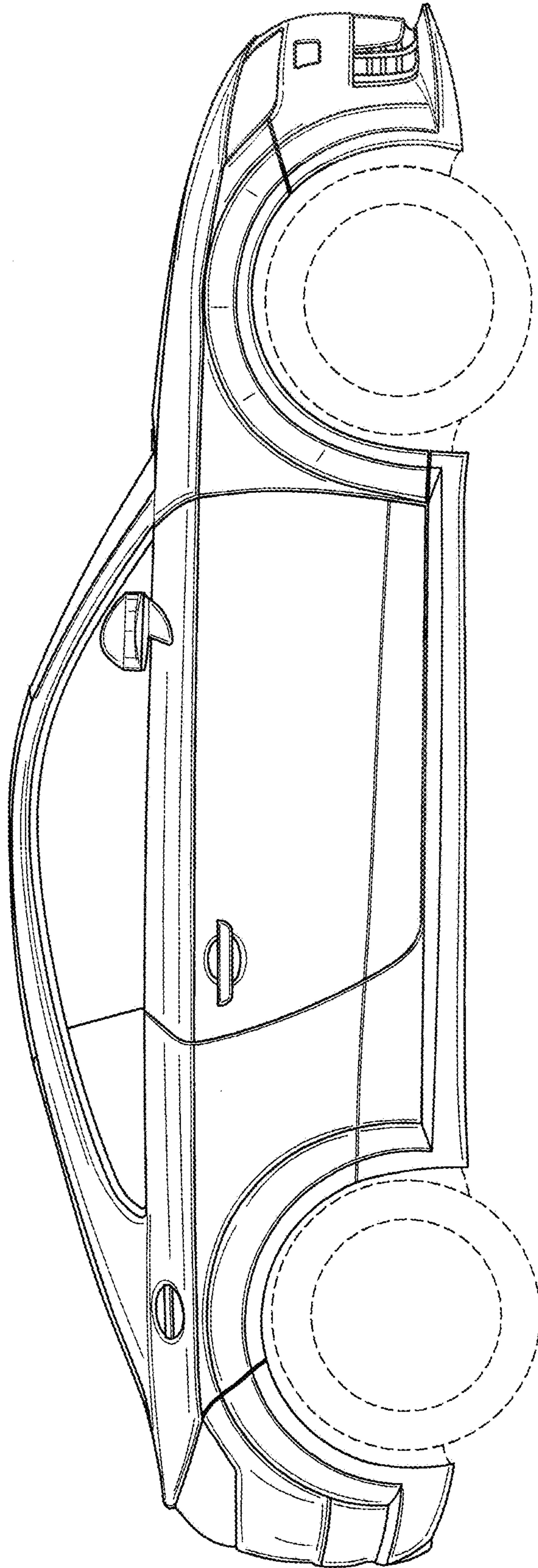


FIG. 3

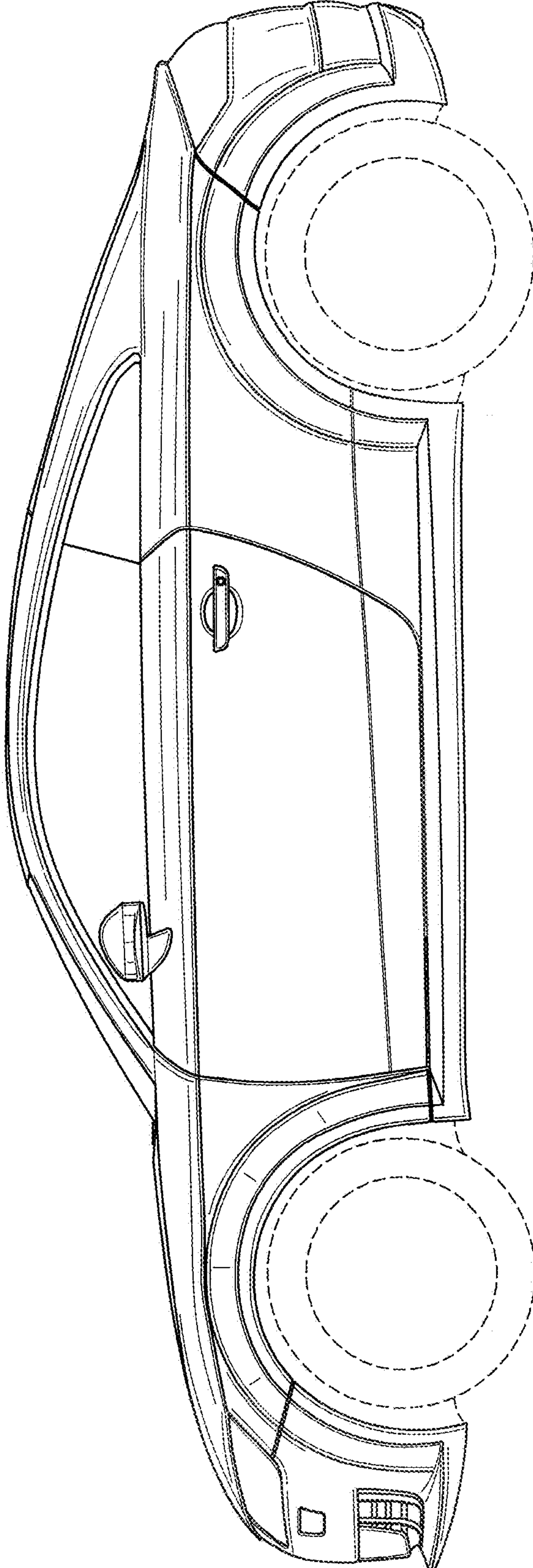


FIG. 4

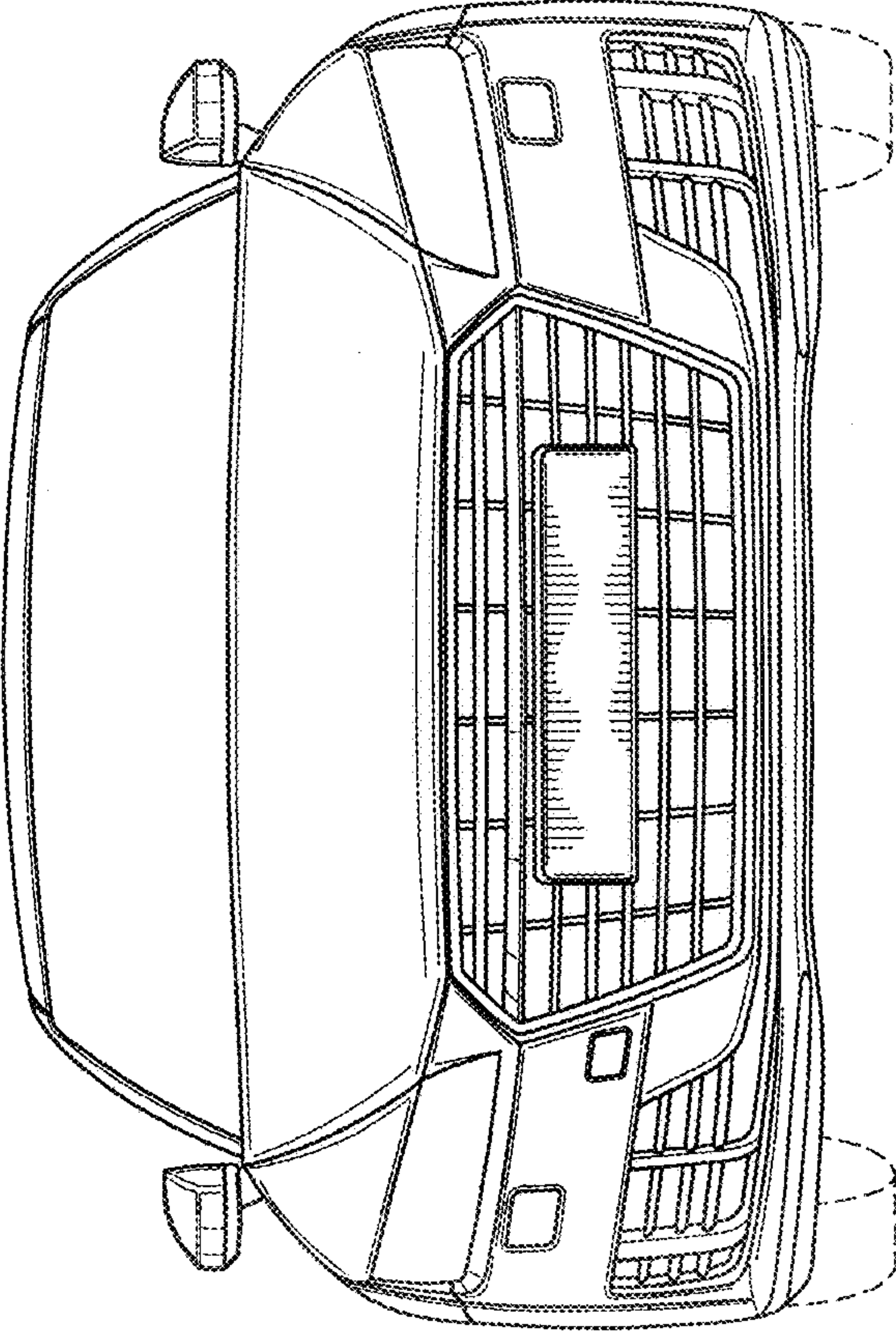


FIG. 5

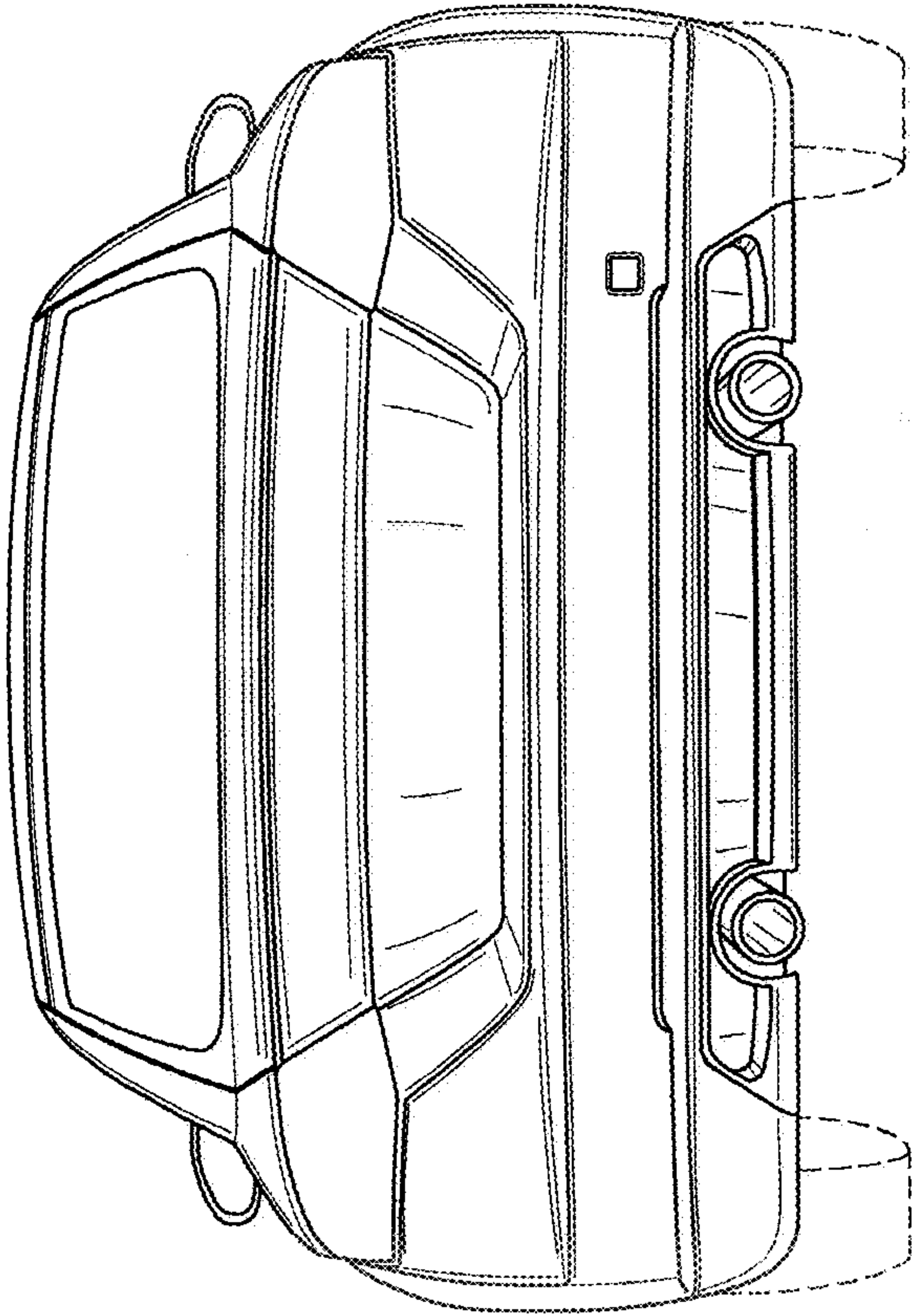


FIG. 6

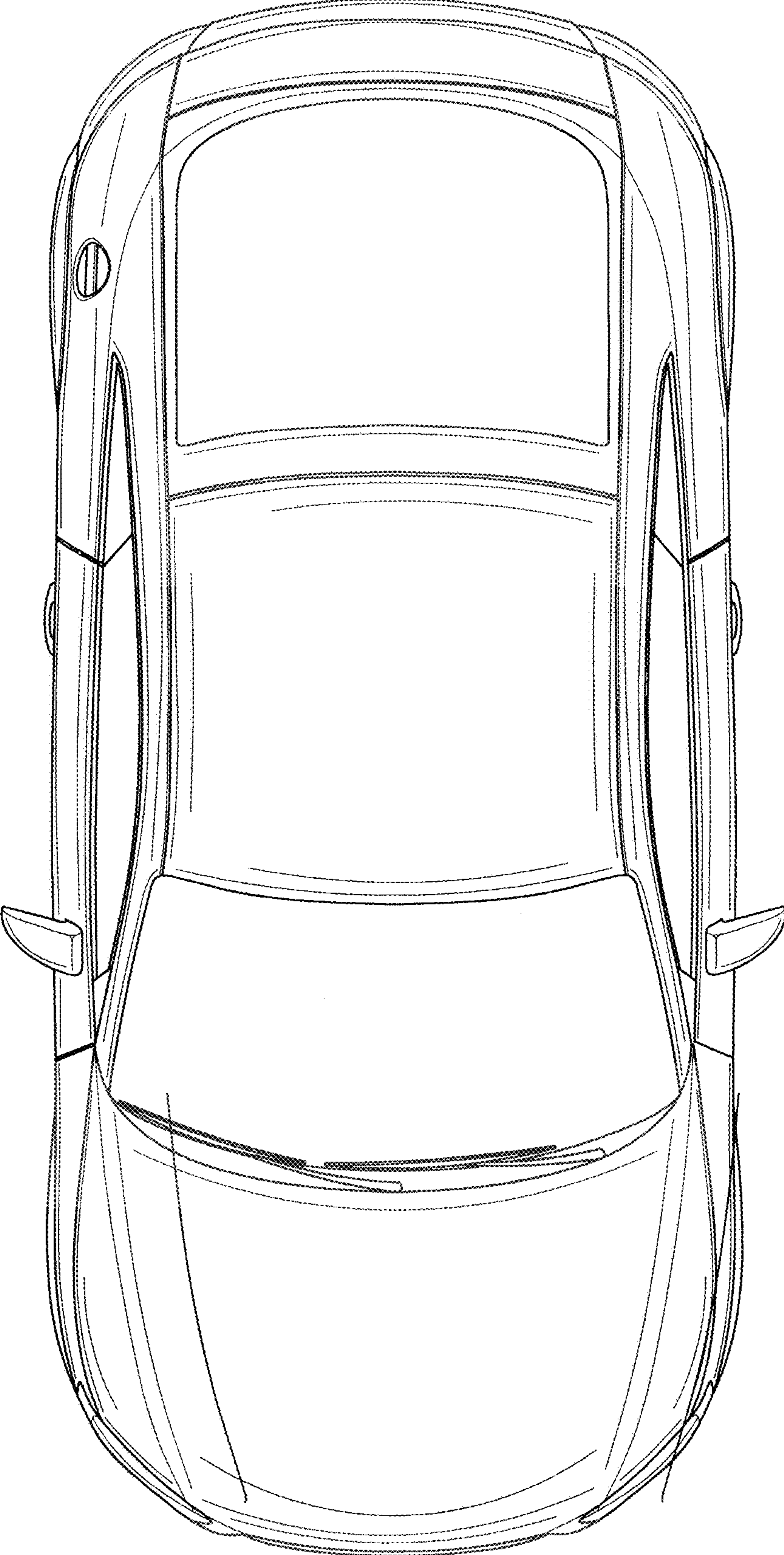


FIG. 7