



US00D738786S

(12) **United States Design Patent**
Mueller-Stolz

(10) **Patent No.:** **US D738,786 S**

(45) **Date of Patent:** **** Sep. 15, 2015**

(54) **VEHICLE, TOY, AND/OR REPLICAS THEREOF**

(71) Applicant: **Bayerische Motoren Werke Aktiengesellschaft, Munich (DE)**

(72) Inventor: **Dirk Mueller-Stolz, Munich (DE)**

(73) Assignee: **Bayerische Motoren Werke Aktiengesellschaft, Munich (DE)**

(**) Term: **14 Years**

(21) Appl. No.: **29/489,250**

(22) Filed: **Apr. 29, 2014**

(30) **Foreign Application Priority Data**

Oct. 31, 2013 (DE) 40 2013 101 079

(51) **LOC (10) Cl.** **12-08**

(52) **U.S. Cl.**
USPC **D12/91**

(58) **Field of Classification Search**
USPC D12/86, 90-92; D21/421, 433, 434;
296/181.1, 181.5

CPC B62D 35/00; B62D 25/00; B62D 25/06;
B62D 25/08; B62D 33/00

See application file for complete search history.

(56) **References Cited**

U.S. PATENT DOCUMENTS

D396,432 S *	7/1998	Syring	D12/91
D478,533 S *	8/2003	Nicholas et al.	D12/91
D490,019 S *	5/2004	Sakae	D12/91
D504,087 S *	4/2005	Hakamata et al.	D12/91
D513,716 S *	1/2006	Acampora	D12/91
D540,714 S *	4/2007	Mueller-Stolz	D12/91
D575,677 S *	8/2008	Hildebrand et al.	D12/91
D598,810 S *	8/2009	Jang	D12/91
D633,571 S	3/2011	Schneider		

FOREIGN PATENT DOCUMENTS

EM	000482419-0005	10/2006
EM	001714643-0001	9/2010

OTHER PUBLICATIONS

“F56 Mini hatchback fully revealed without disguise,” paultan.org, Jul. 2, 2013.

* cited by examiner

Primary Examiner — Melody N Brown

(74) *Attorney, Agent, or Firm* — Crowell & Moring LLP

(57) **CLAIM**

The ornamental design for a vehicle, toy, and/or replicas thereof, as shown and described.

DESCRIPTION

This application contains subject matter related to the following co-pending U.S. design patent applications: application Ser. No. 29/489,240, filed herewith and entitled “Headlight for a Vehicle”; application Ser. No. 29/489,241, filed herewith and entitled “Taillight for a Vehicle”; application Ser. No. 29/489,242, filed herewith and entitled “Front Fender for a Vehicle”; application Ser. No. 29/489,245, filed herewith and entitled “Front Bumper for a Vehicle”; application Ser. No. 29/489,246, filed herewith and entitled “Front Bumper for a Vehicle”; application Ser. No. 29/489,252, filed herewith and entitled “Tailgate for a Vehicle”; application Ser. No. 29/489,254, filed herewith and entitled “Rear Fender for a Vehicle”; and application Ser. No. 29/489,256, filed herewith and entitled “Tailgate for a Vehicle”.

FIG. 1 is a left, front perspective view of a vehicle, toy, and/or replicas thereof according to the design; FIG. 2 is a left side view thereof; FIG. 3 is a right side view thereof; FIG. 4 is a right, rear perspective view thereof; FIG. 5 is a front view thereof; FIG. 6 is a rear view thereof; and, FIG. 7 is a top view thereof.

1 Claim, 7 Drawing Sheets

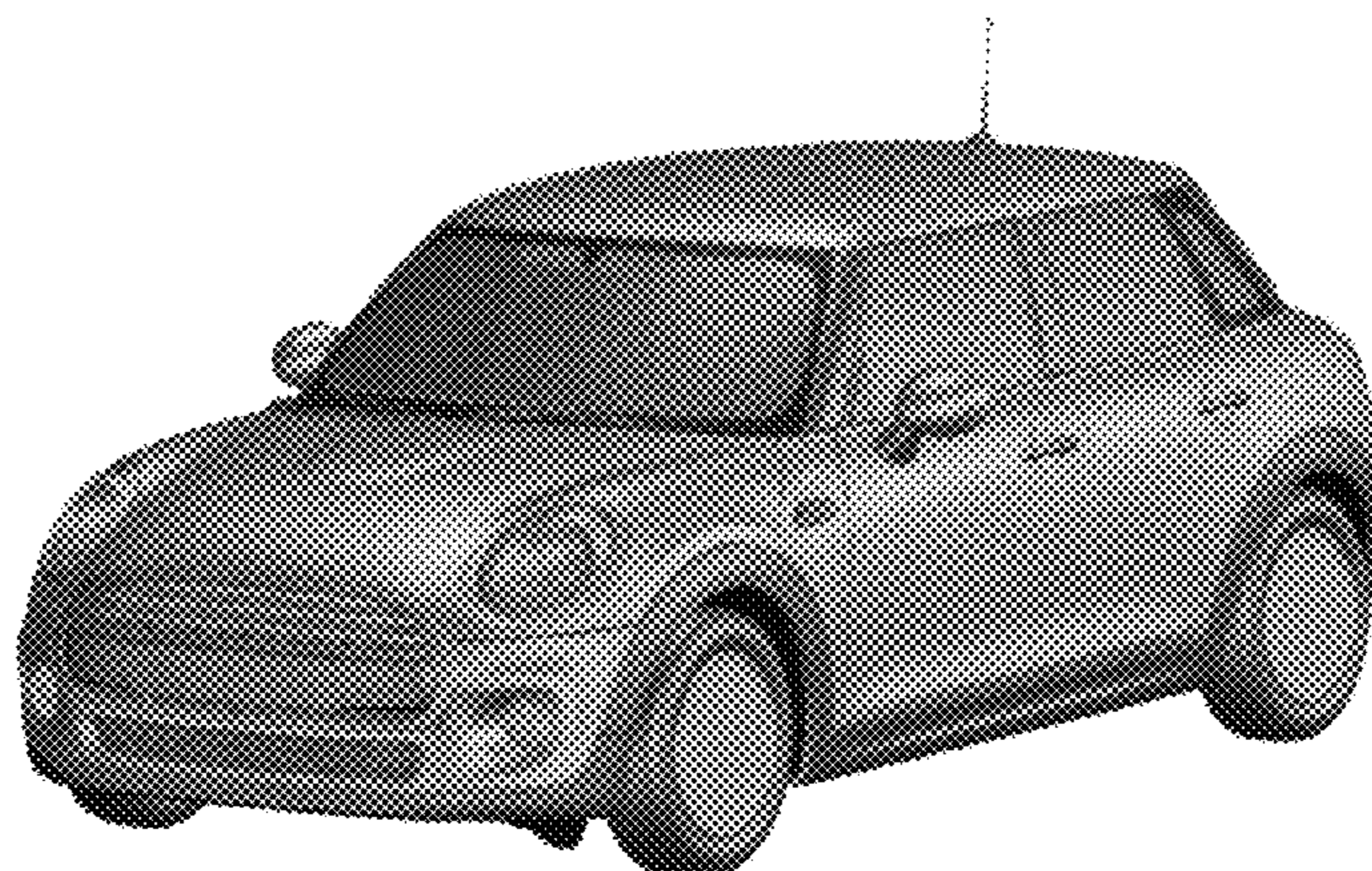




Fig. 1

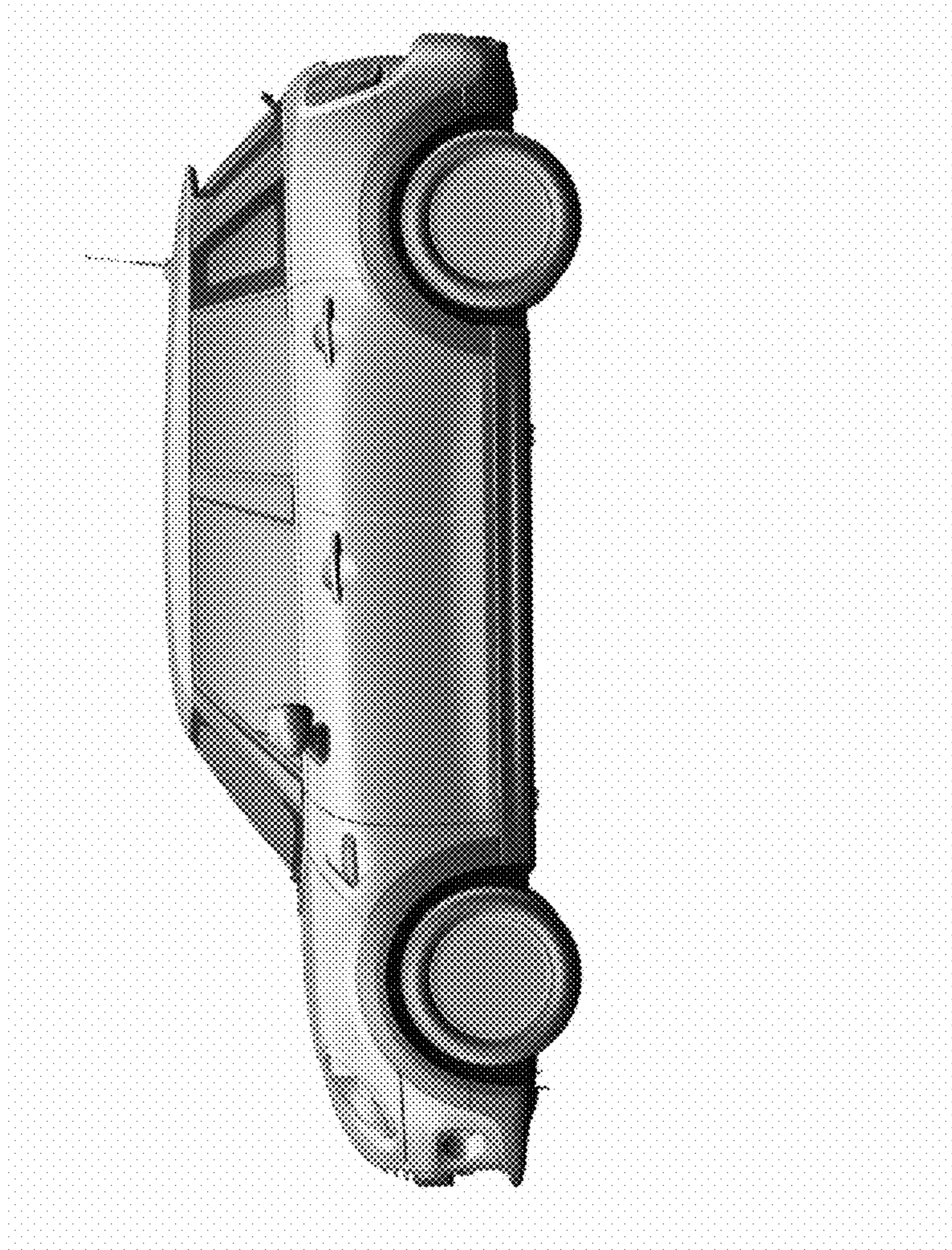


Fig. 2



Fig. 3



Fig. 4

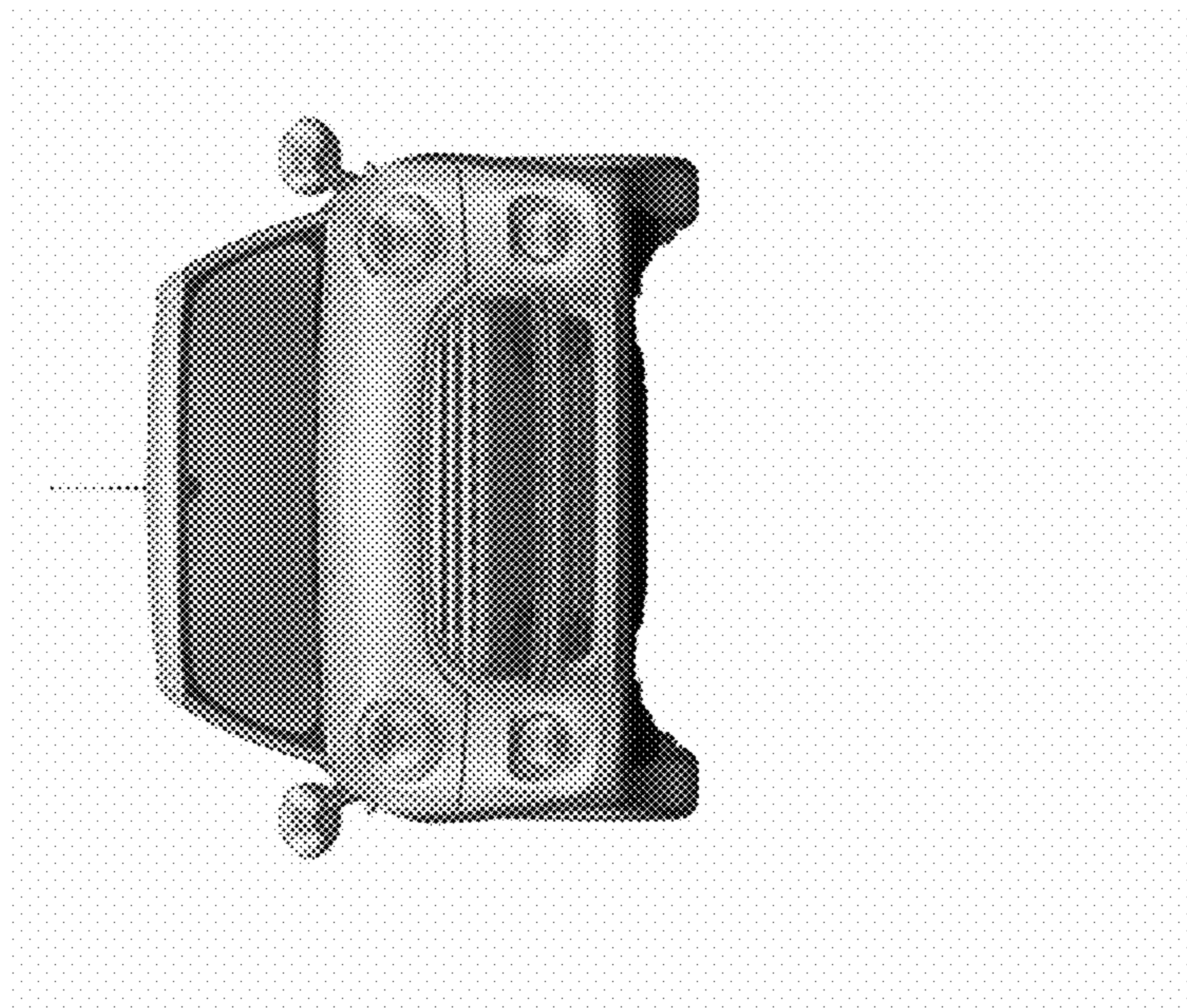


Fig. 5

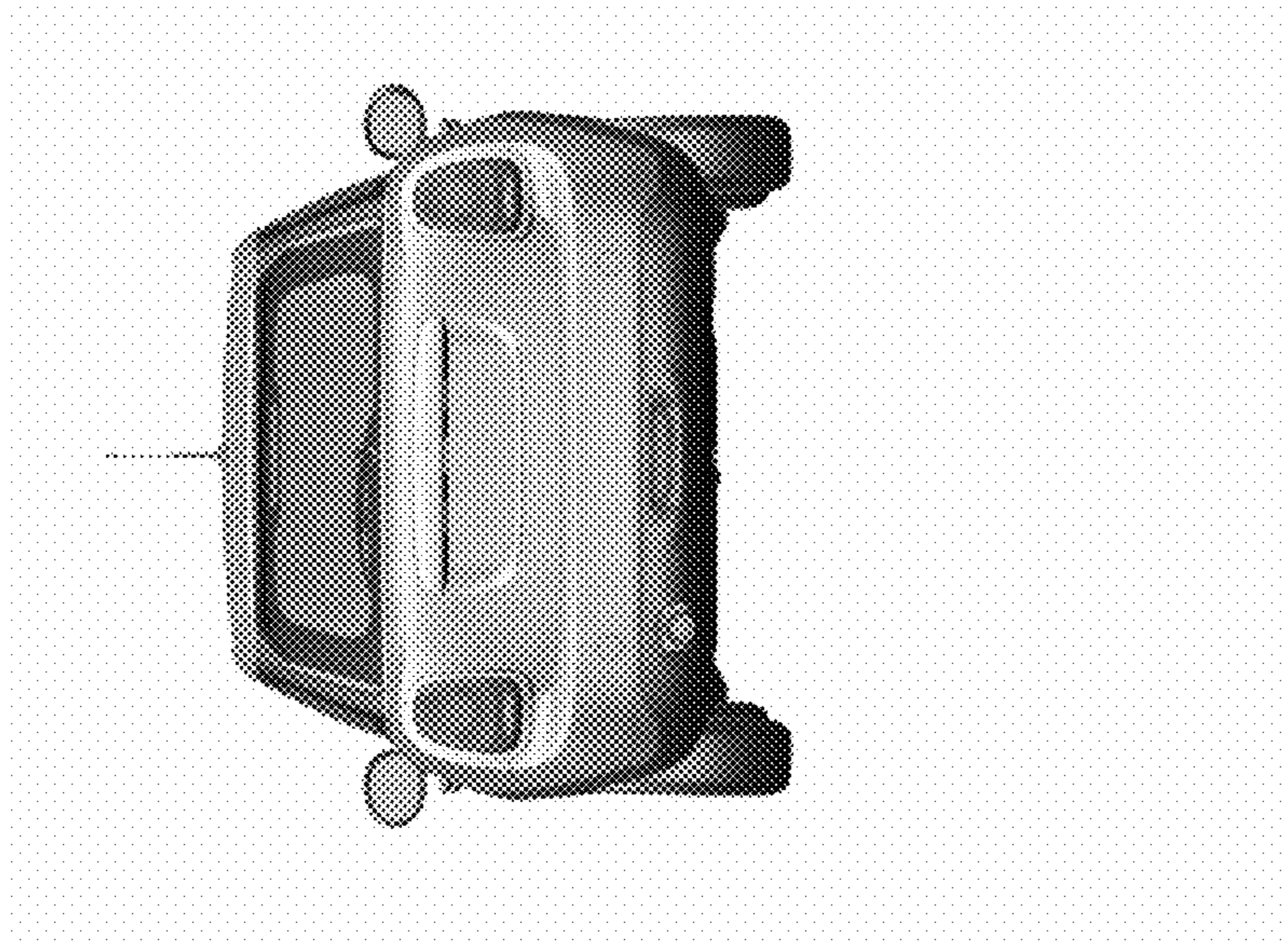


Fig. 6



Fig. 7