



US00D738785S

(12) **United States Design Patent**
Criss, Jr. et al.

(10) **Patent No.:** **US D738,785 S**

(45) **Date of Patent:** **** Sep. 15, 2015**

- (54) **UTILITY VEHICLE REAR BODY**
- (71) Applicant: **Textron, Inc.**, Providence, RI (US)
- (72) Inventors: **John Frederick Criss, Jr.**, North Augusta, SC (US); **Richard Franklin Krall**, Augusta, GA (US)
- (73) Assignee: **Textron, Inc.**, Providence, RI (US)
- (**) Term: **14 Years**
- (21) Appl. No.: **29/491,372**
- (22) Filed: **May 20, 2014**
- (51) **LOC (10) Cl.** **12-13**
- (52) **U.S. Cl.**
USPC **D12/14; D12/87**
- (58) **Field of Classification Search**
USPC D12/3, 4, 5, 14, 85, 86, 87, 107, 110;
280/183-185, DIG. 5, 1, 16, 82, 88, 90,
280/14; 180/233, 908
CPC A01B 59/02; A61G 3/08; B62B 5/04;
B62B 13/10; B62B 19/04; B62B 2202/404;
B62C 9/00; B62D 7/22; B62K 5/01; B60K
23/0808
See application file for complete search history.

D498,704	S	*	11/2004	Bonner et al.	D12/16
D586,694	S	*	2/2009	Huang et al.	D12/14
D589,398	S	*	3/2009	Tuo	D12/16
D593,003	S	*	5/2009	Sanschagrin et al.	D12/107
D601,058	S	*	9/2009	Evenson et al.	D12/87
D665,308	S	*	8/2012	Lepine et al.	D12/107
D694,668	S	*	12/2013	Li et al.	D12/14
2005/0224539	A1	*	10/2005	Hardy et al.	224/274
2012/0031694	A1	*	2/2012	Deckard et al.	180/68.3
2013/0319785	A1	*	12/2013	Spindler et al.	180/292

* cited by examiner

Primary Examiner — Phillip S Hyder

Assistant Examiner — Darlington Ly

(74) *Attorney, Agent, or Firm* — Polster Lieder

(57) **CLAIM**

The ornamental design for a utility vehicle rear body, as shown and described.

DESCRIPTION

FIG. 1 is an isometric view of a utility vehicle rear body, such as a golf car and a small maintenance, shuttle or cargo vehicle rear body;

FIG. 2 is a top view thereof;

FIG. 3 is a front view thereof;

FIG. 4 is a rear view thereof;

FIG. 5 is a left side view thereof;

FIG. 6 is a right side view thereof; and,

FIG. 7 is a bottom view thereof.

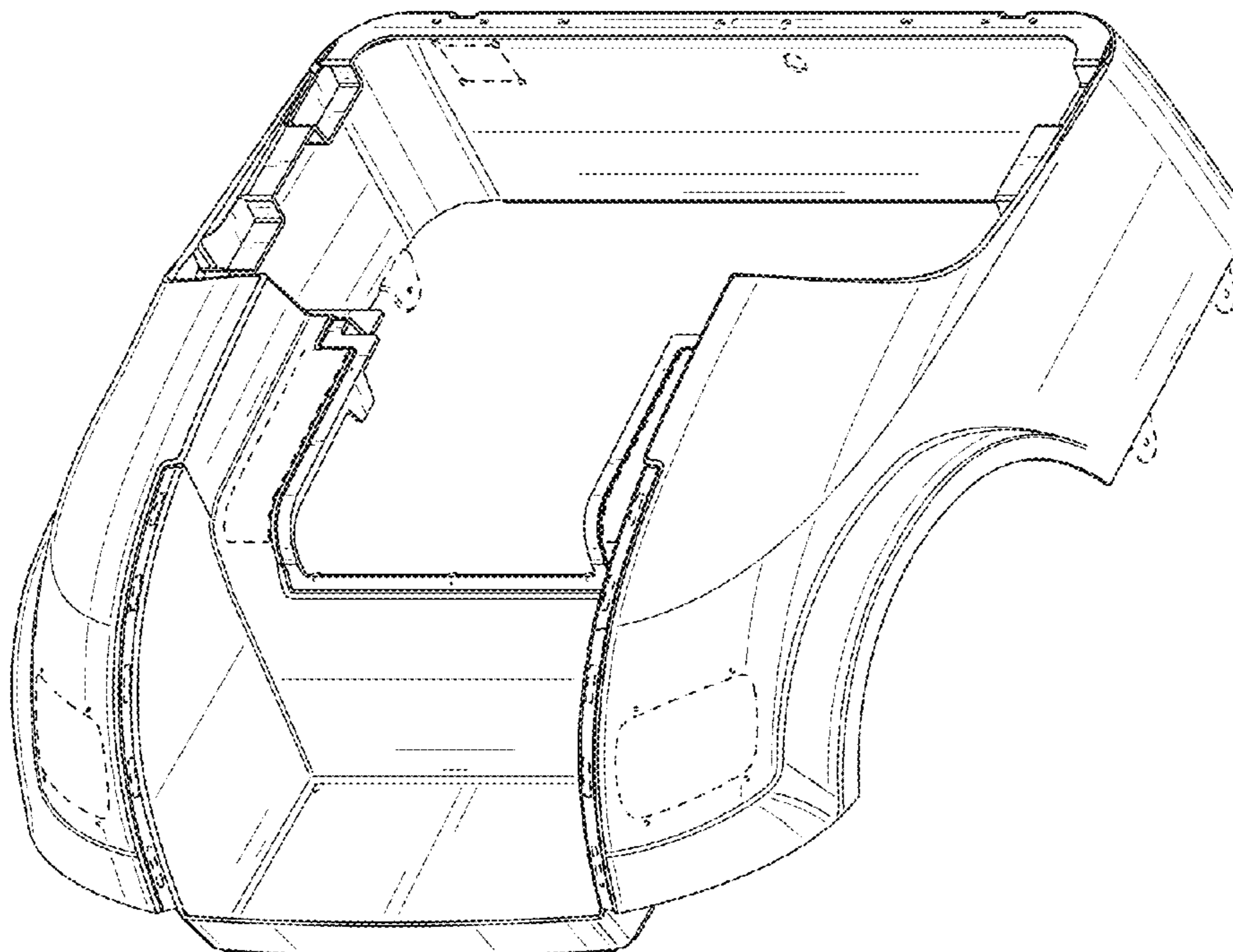
The broken lines in the drawings illustrate portions of the utility vehicle rear body that form no part of the claimed design.

(56) **References Cited**

U.S. PATENT DOCUMENTS

D464,001	S	*	10/2002	Rondeau et al.	D12/107
D498,436	S	*	11/2004	Bonner et al.	D12/16

1 Claim, 7 Drawing Sheets



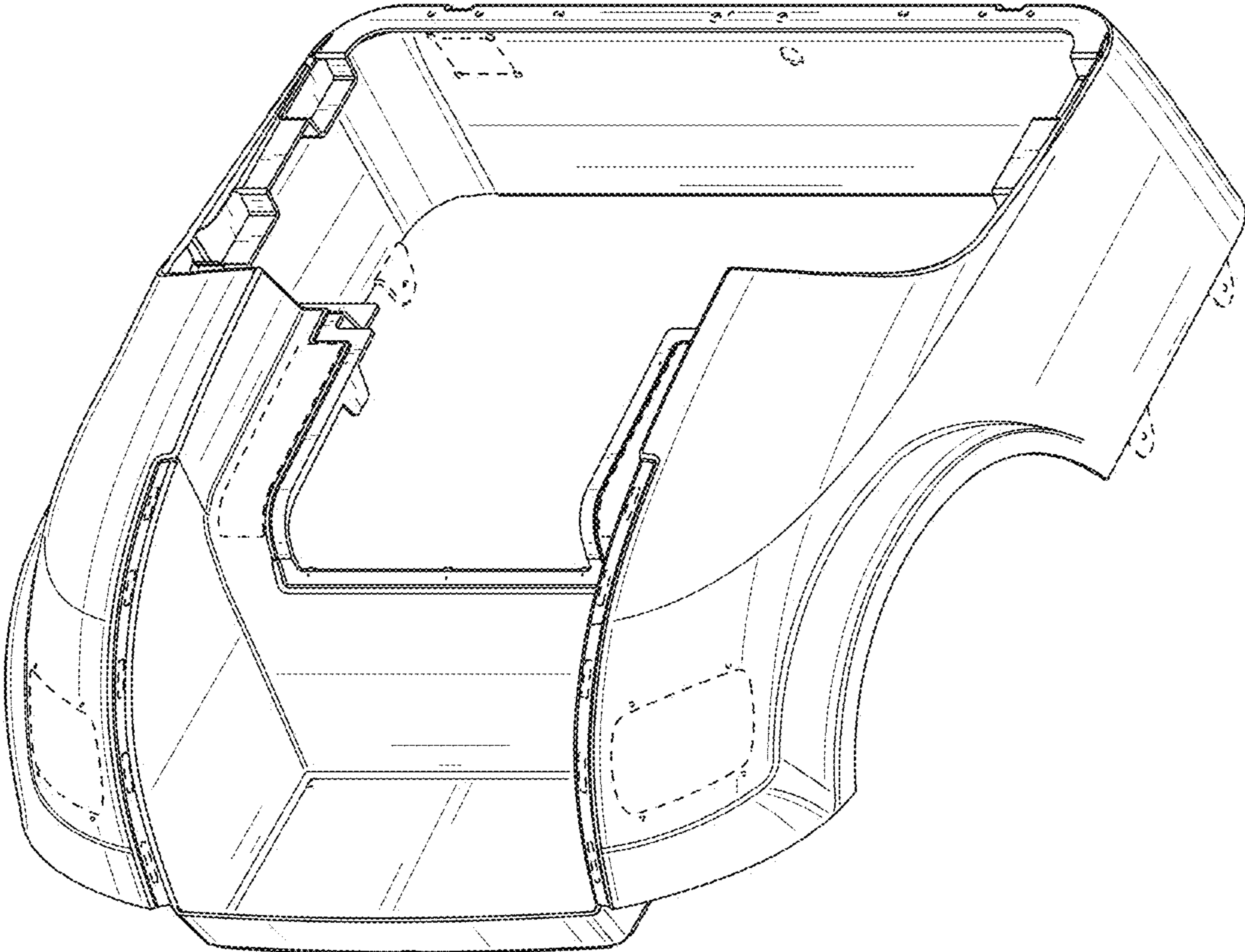


FIG. 1

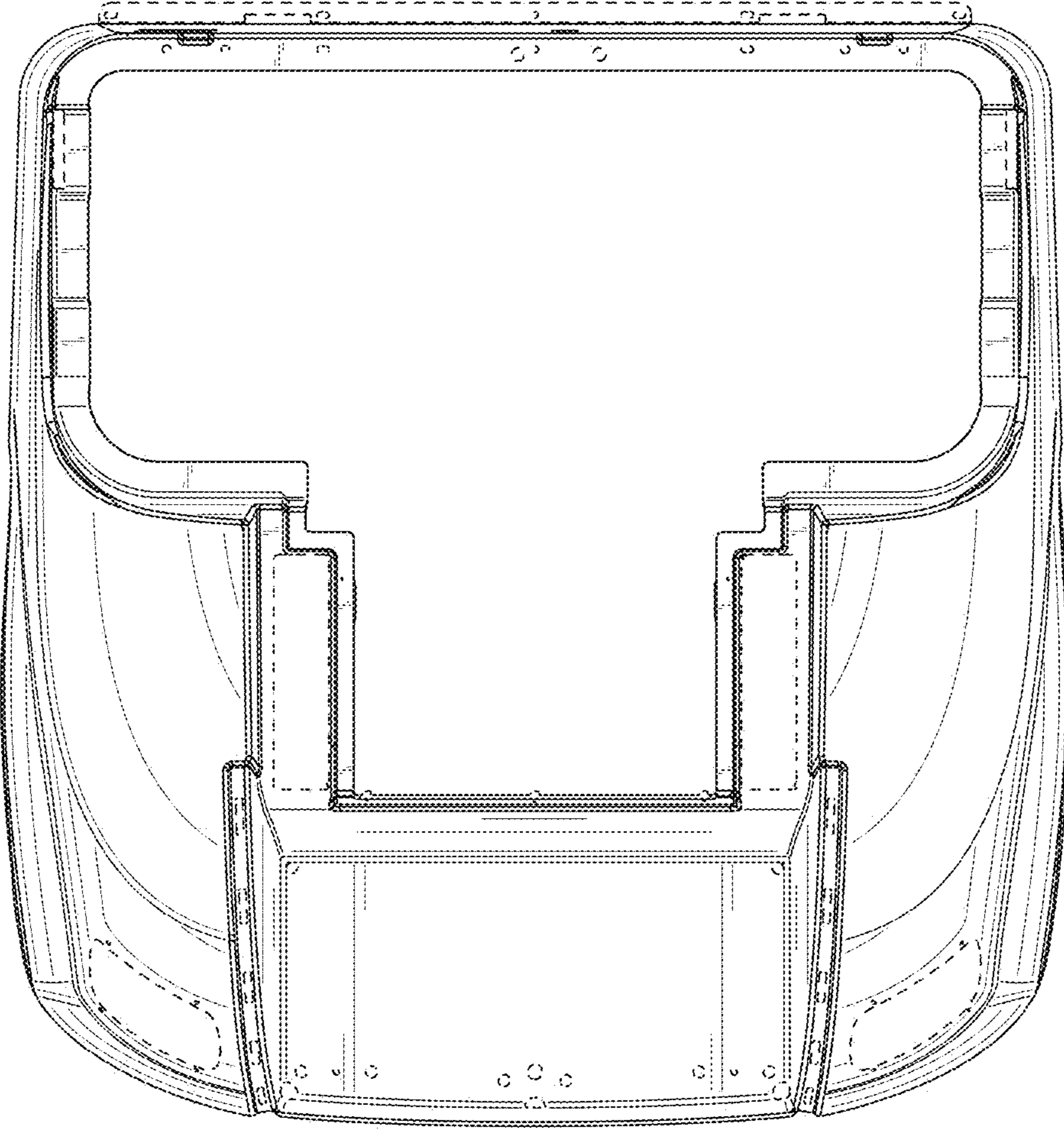


FIG. 2

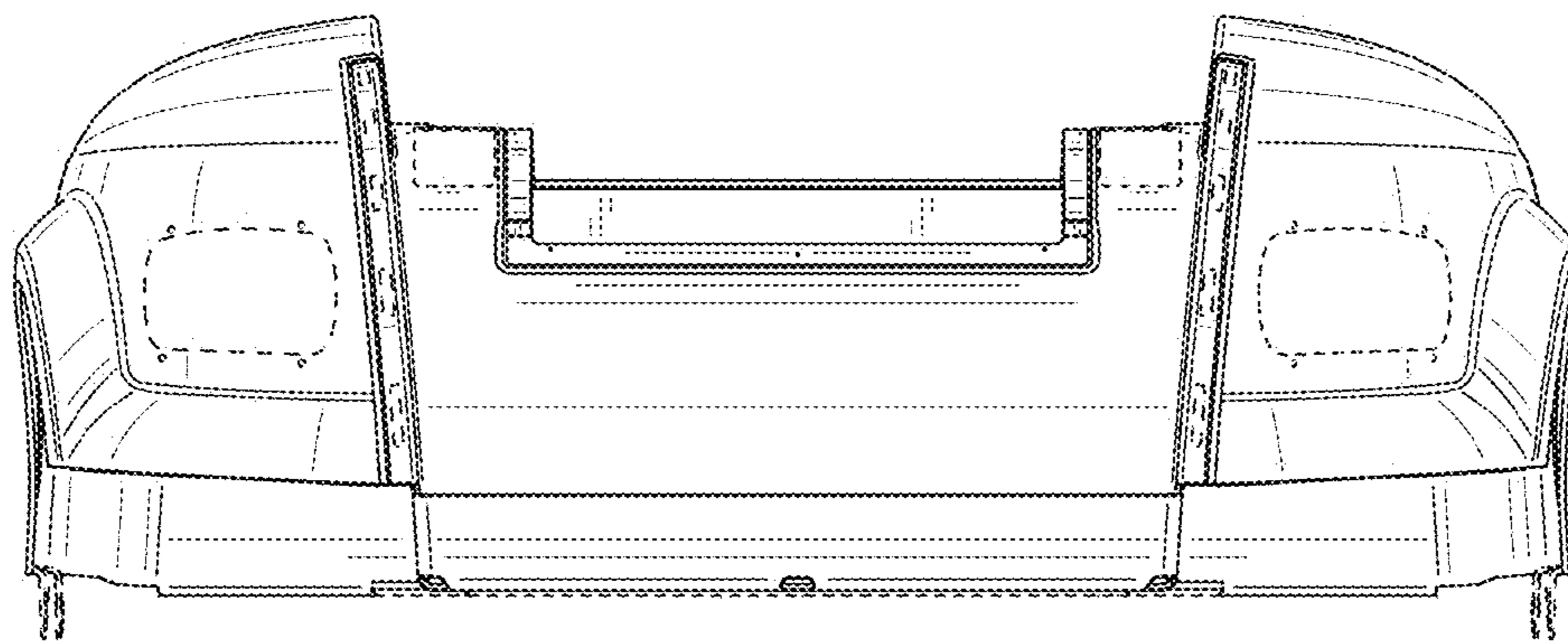


FIG. 3

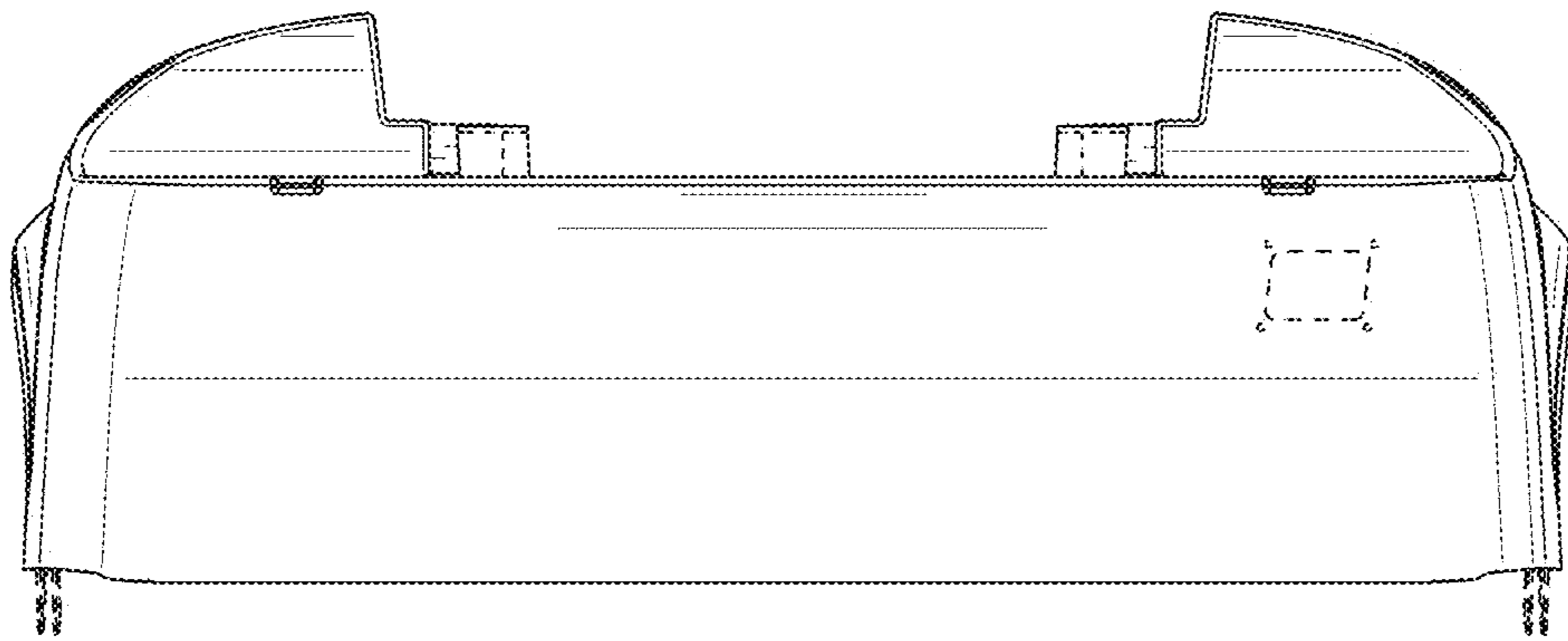


FIG. 4

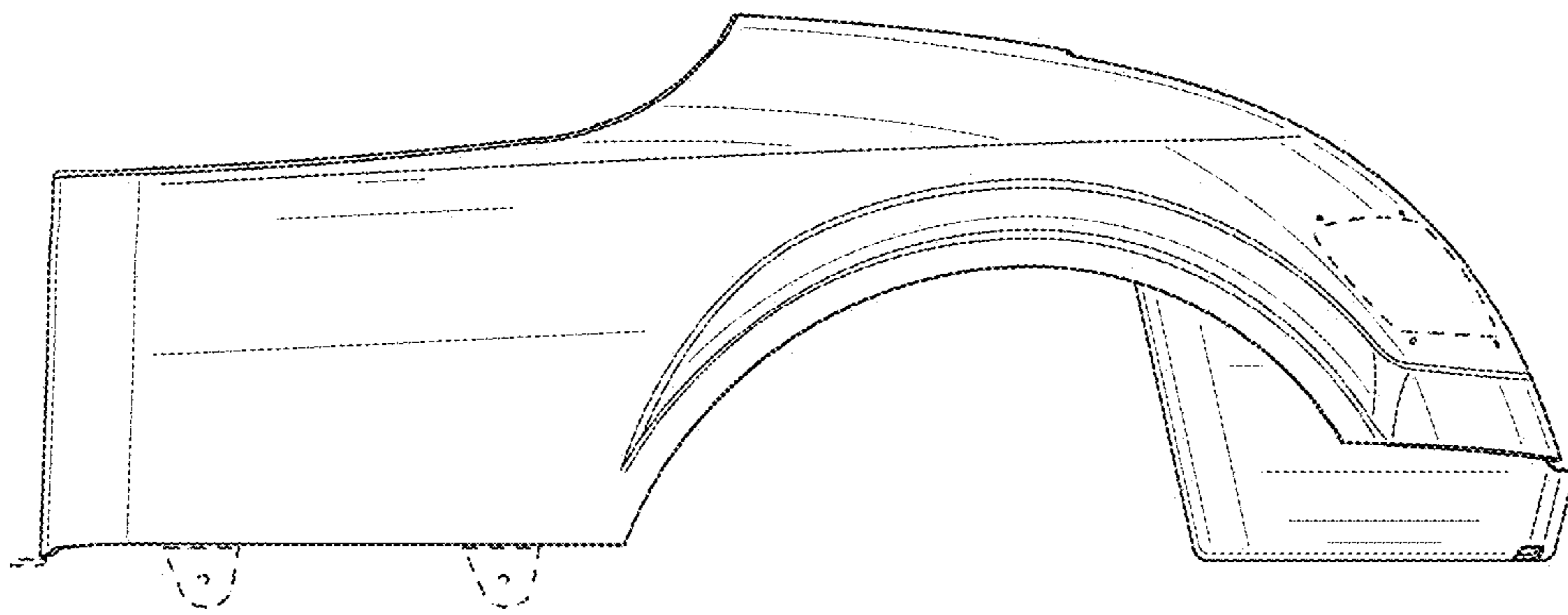


FIG. 5

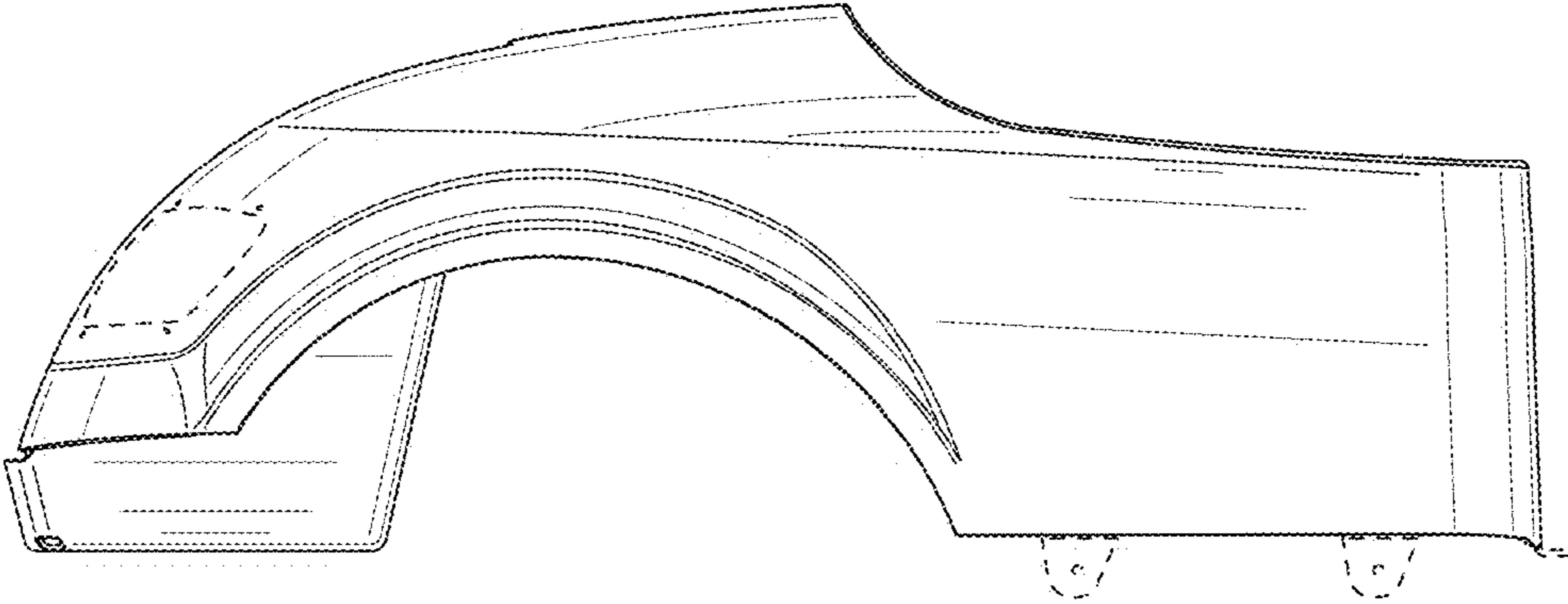


FIG. 6

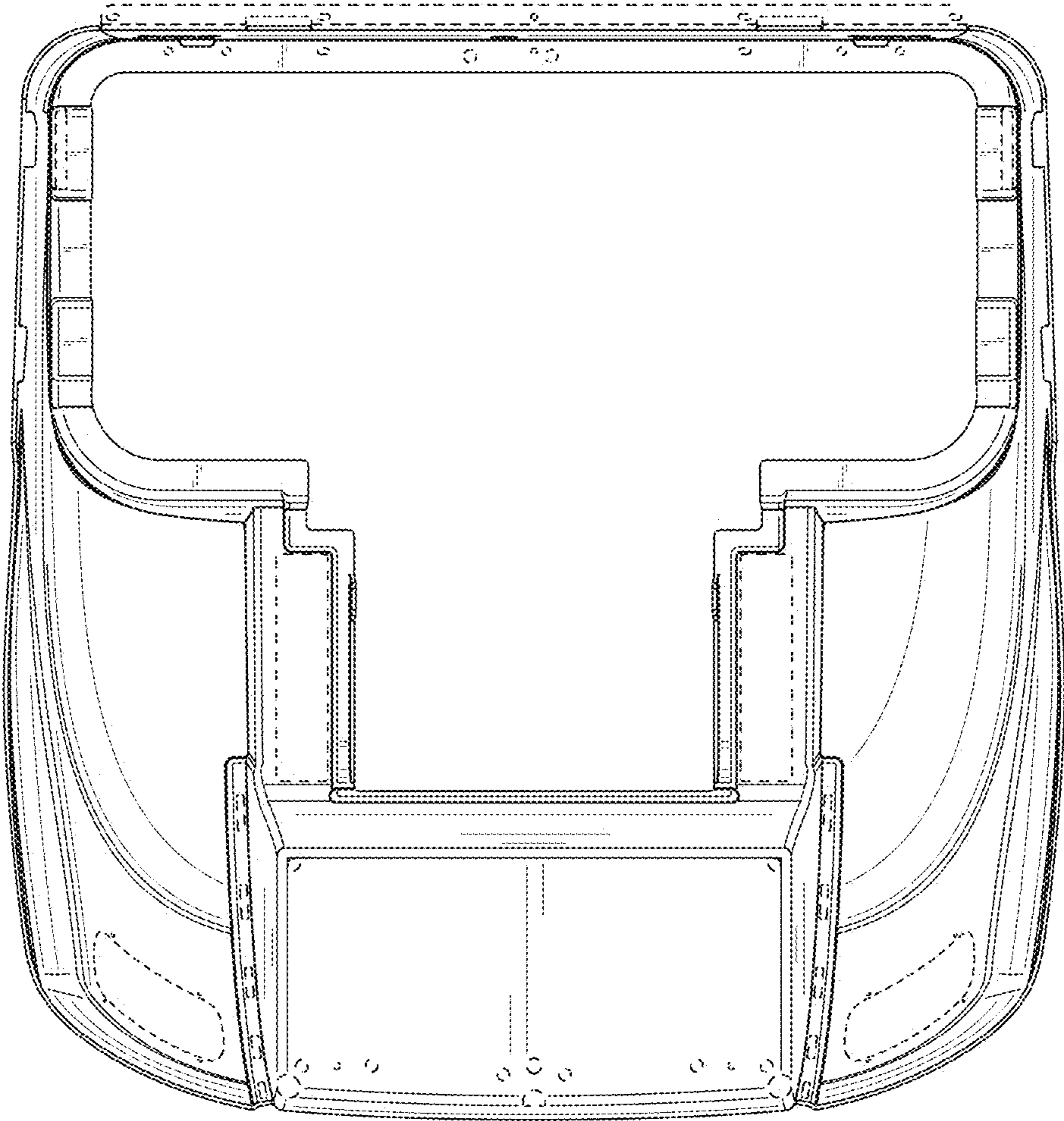


FIG. 7