



US00D738784S

(12) **United States Design Patent**
Tunis et al.

(10) **Patent No.:** **US D738,784 S**

(45) **Date of Patent:** **** Sep. 15, 2015**

- (54) **CAB FOR AN ARMORED VEHICLE**
- (71) Applicants: **Hardwire LLC**, Pocomoke City, MD (US); **George C. Tunis**, Pocomoke City, MD (US)
- (72) Inventors: **George C. Tunis**, Ocean City, MD (US); **Scott Kendall**, Berlin, MD (US); **Emily Heinauer**, Arlington, VA (US); **Christopher Michael Hanyok**, Princess Anne, MD (US); **Benjamin John Kremer**, Snow Hill, MD (US)

D593,450	S	6/2009	Green, Jr. et al.	
D622,182	S	8/2010	Parimi et al.	
D632,613	S	2/2011	Allaire et al.	
8,096,225	B1 *	1/2012	Johnson et al.	89/36.08
D661,224	S	6/2012	Allaire et al.	
8,651,009	B2 *	2/2014	Hayden et al.	89/41.02
8,667,880	B1 *	3/2014	Berman	89/36.08
8,776,663	B1 *	7/2014	Berman	89/36.08
8,910,559	B1 *	12/2014	Berman	89/36.08
2007/0234896	A1 *	10/2007	Joynt	89/36.09
2009/0120274	A1 *	5/2009	Schneider et al.	89/36.08
2010/0037761	A1 *	2/2010	Boczek et al.	89/36.08

(Continued)

OTHER PUBLICATIONS

- (73) Assignee: **Hardwire, LLC**, Pocomoke City, MD (US)

BAE Systems website page for VALANX JLTV www.baesystems.com/product/BAES_020016/the-valanx-jltv accessed Nov. 12, 2013.

(**) Term: **14 Years**

(Continued)

(21) Appl. No.: **29/473,947**

(22) Filed: **Nov. 27, 2013**

Primary Examiner — T. Chase Nelson

Assistant Examiner — Ania Aman

(51) **LOC (10) Cl.** **12-13**

(74) *Attorney, Agent, or Firm* — Posternak Blankstein & Lund LLP

(52) **U.S. Cl.**

USPC **D12/12**

(58) **Field of Classification Search**

USPC D12/1, 12, 14, 15; D21/539, 556, 557, D21/559, 562; 180/89.1, 89.12, 232, 242, 180/449, 9.1; D15/23, 24, 25, 33, 199; 446/88, 430, 433, 470, 429, 465, 175; 296/24.4; 89/36.08, 36.13, 41.02

See application file for complete search history.

(57)

CLAIM

The ornamental design for a cab for an armored vehicle, as shown and described.

DESCRIPTION

FIG. 1 is a front perspective view of a cab for an armored vehicle in accordance with the present invention; FIG. 2 is a left side view thereof; FIG. 3 is a right side view thereof; FIG. 4 is a front view thereof; FIG. 5 is a rear view thereof; FIG. 6 is a top view thereof; and, FIG. 7 is a bottom view thereof.

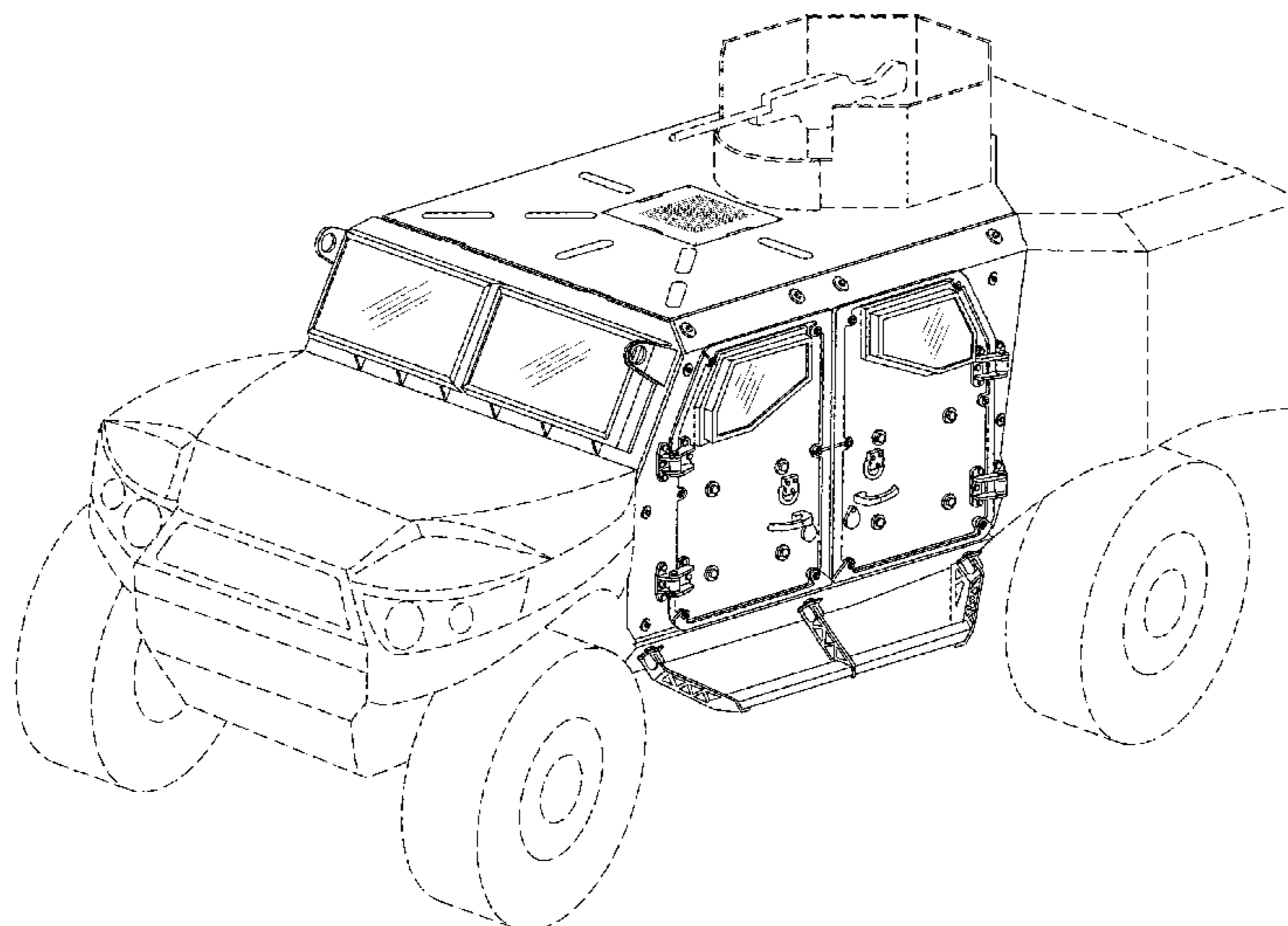
The features shown in broken lines in the various figures illustrate environmental structure and form no part of the claimed design.

1 Claim, 6 Drawing Sheets

(56) **References Cited**

U.S. PATENT DOCUMENTS

4,686,888	A *	8/1987	Sanborn et al.	89/37.13
D323,305	S	1/1992	Smith	
D484,438	S	12/2003	Knoth et al.	
D548,646	S	8/2007	Green, Jr. et al.	
D563,272	S	3/2008	Hammick et al.	
D579,824	S	11/2008	Pandey et al.	
D580,825	S	11/2008	Green, Jr. et al.	
D590,743	S	4/2009	Waters et al.	



(56)

References Cited

U.S. PATENT DOCUMENTS

2012/0031261	A1*	2/2012	Gagnon et al.	89/36.13
2012/0167476	A1*	7/2012	Weinerman et al.	49/460
2012/0312607	A1*	12/2012	Joynt et al.	180/54.1
2014/0060304	A1*	3/2014	Harmon et al.	89/36.02
2014/0216238	A1*	8/2014	Pfennig et al.	89/36.02

OTHER PUBLICATIONS

Defense Update website page: Army Sets JLTV Target Price around \$250,000 http://defense-update.com/20111004_army-sets-jltv-target-price-around-250000.html accessed Oct. 3, 2013.

Diesel Power website page for Apr. 2013 Military Power—AM General BRV-O http://www.dieselpowermag.com/features/1304dp_april_2013_military_power_am_general_brv_o/ accessed Nov. 3, 2013.

Army Recognition website page for BRV-O Blast Resistant Vehicle Off Road JLTV AM General http://www.armyrecognition.com/us_army_wheeled_and_armoured_vehicle_uk/brv-o_jltv_am_general_blast_resistant_vehicle_off-road_technical_data_sheet_specifications_pictures.html accessed Oct. 3, 2013.

Lockheed Martin website page for Joint Light Tactical Vehicle JLTV <http://www.lockheedmartin.com/us/products/jltv.html> accessed Oct. 3, 2013.

Lockheed Martin website page <http://www.lockheedmartin.com/content/dam/lockheed/data/mfc/photo/joint-light-tactical-vehicle-jltv/mfc-jltv-side-01-h.jpg> accessed Oct. 3, 2013.

NaviStar Defense website page for Saratoga™ <http://www.navistardefense.com/NavistarDefense/vehicles/saratoga/saratoga> accessed Oct. 3, 2013.

AM General specification sheet for M1165A1 HMMWV available at www.amgeneral.com on Oct. 3, 2013.

AM General specification sheet for M1100 Reliability Enhanced HMMWVS available at www.amgeneral.com on Oct. 3, 2013.

AM General specification sheet for M1165A1 Special OPS HMMWV available at www.amgeneral.com on Oct. 3, 2013.

AM General specification sheet for M1167 HMMWV available at www.amgeneral.com on Oct. 3, 2013.

AM General specification sheet for M1152A1 HMMWV available at www.amgeneral.com on Oct. 3, 2013.

AM General specification sheet for M1151A1 w/B1 HMMWV available at www.amgeneral.com on Oct. 3, 2013.

AM General specification sheet for Humvee Cobra available at www.amgeneral.com on Oct. 3, 2013.

Defense Update website page for Golan Wheeled Armored Vehicle <http://defense-update.com/products/g/golan.htm> accessed on Oct. 3, 2013.

Wikipedia website page for M1117 Armored Security Vehicle http://commons.wikimedia.org/wiki/File:M1117_Armored_Security_Vehicle.jpg accessed on Oct. 3, 2013.

Wikipedia website page for Cougar H Vehicle <http://commons.wikimedia.org/wiki/File:070225-M-4393H-041.jpg> accessed on Oct. 3, 2013.

Wikipedia website page for Plasan SandCat http://en.wikipedia.org/wiki/File:Plasan_SandCat.jpg accessed on Oct. 3, 2013.

* cited by examiner

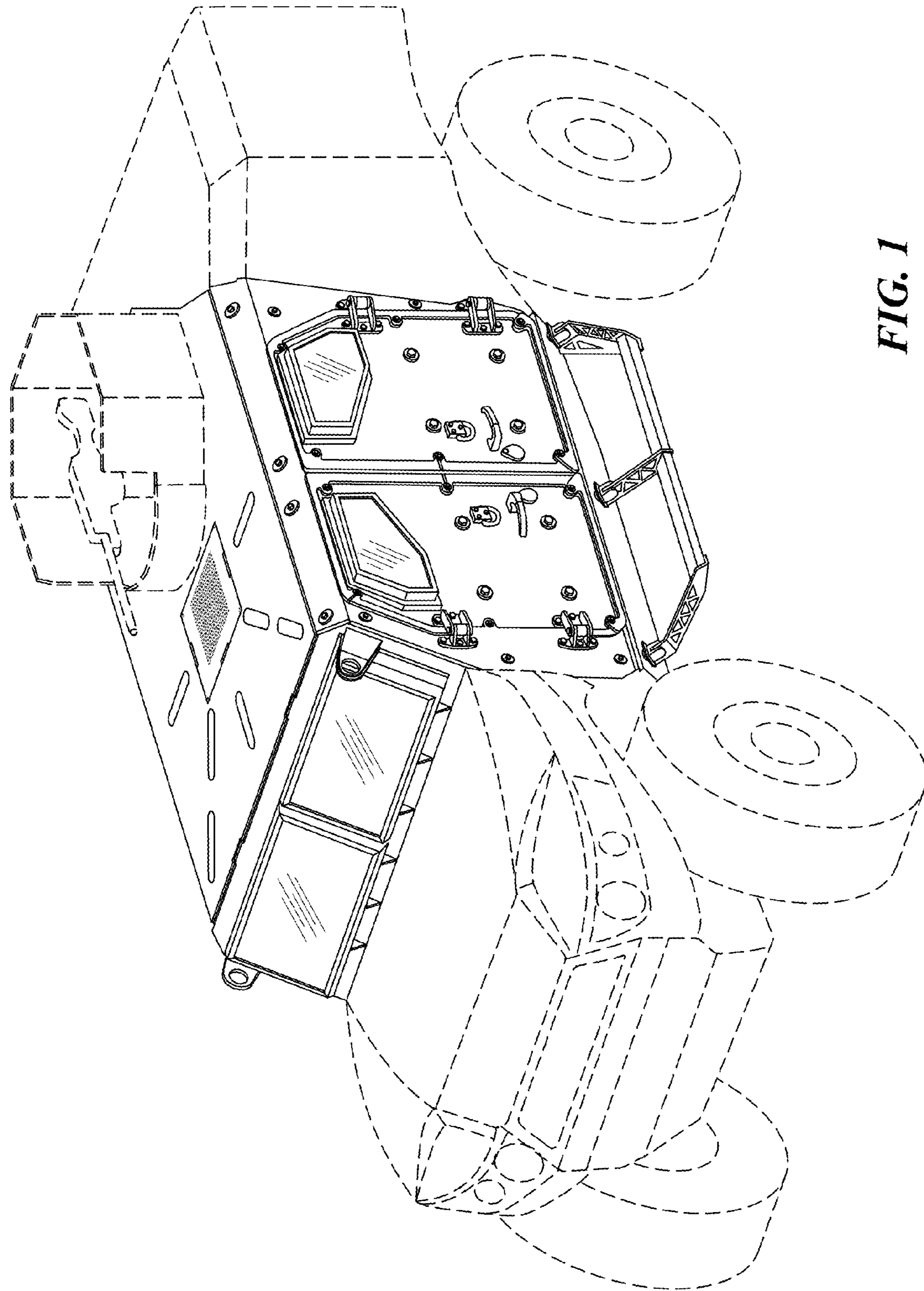


FIG. 1

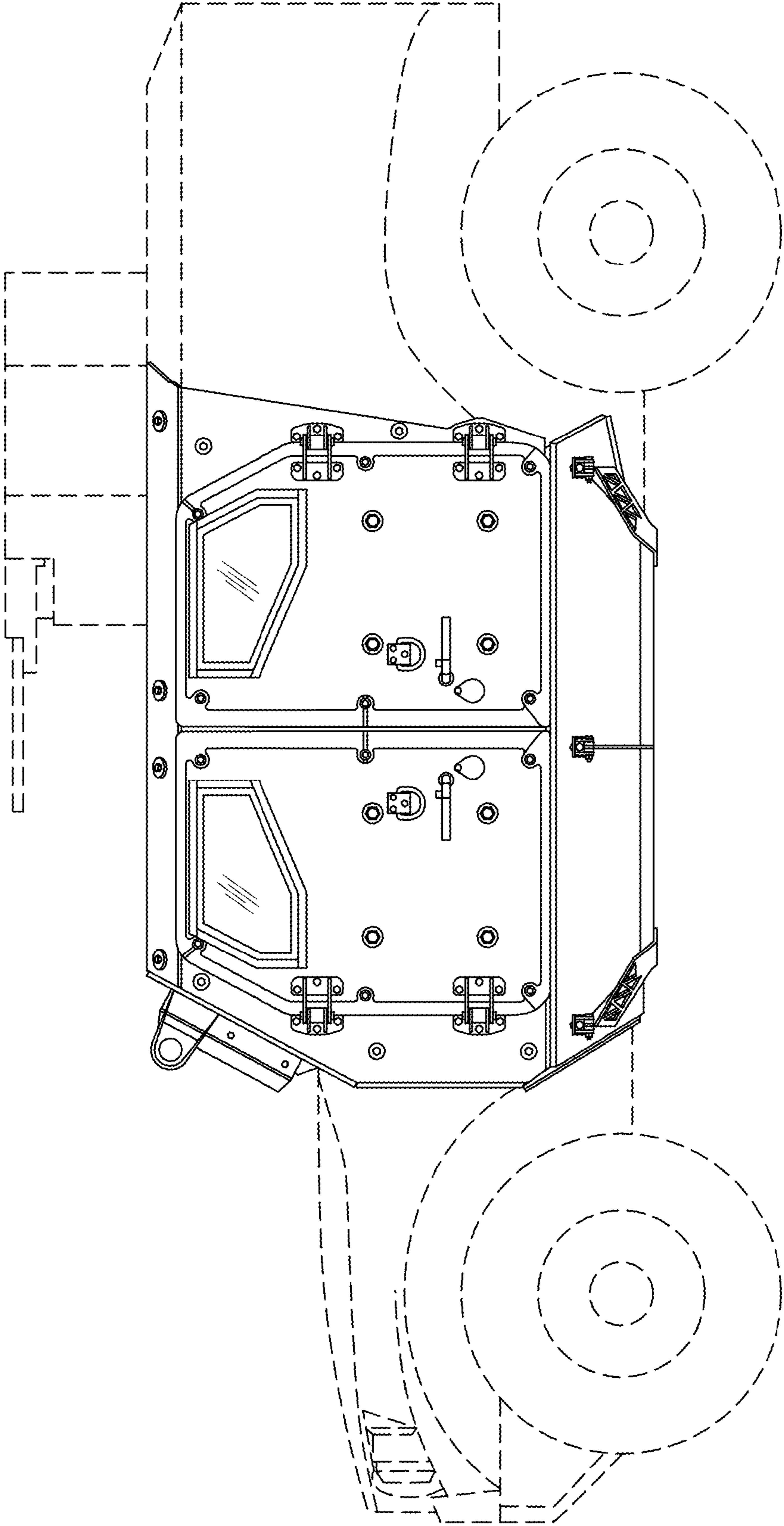


FIG. 2

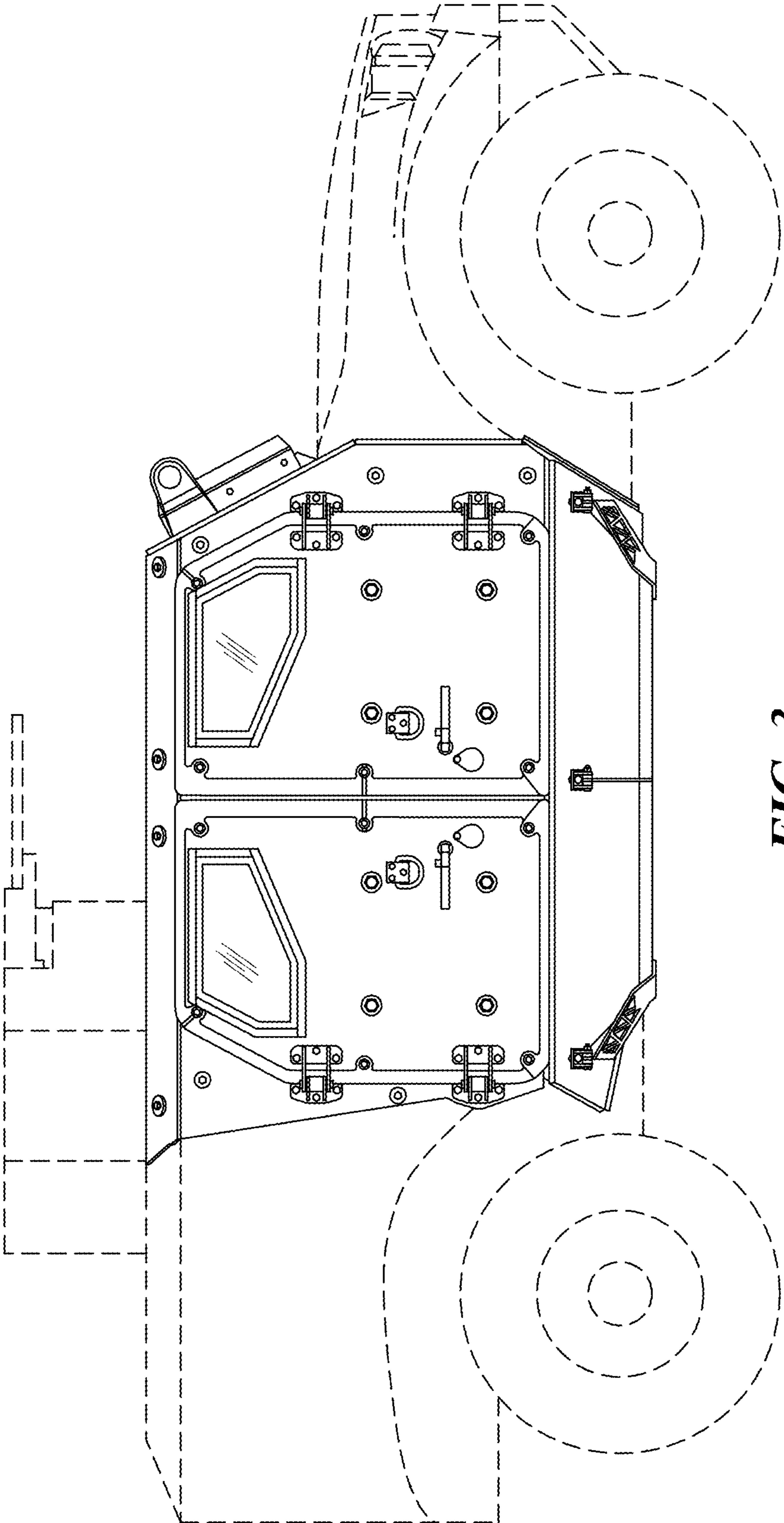


FIG. 3

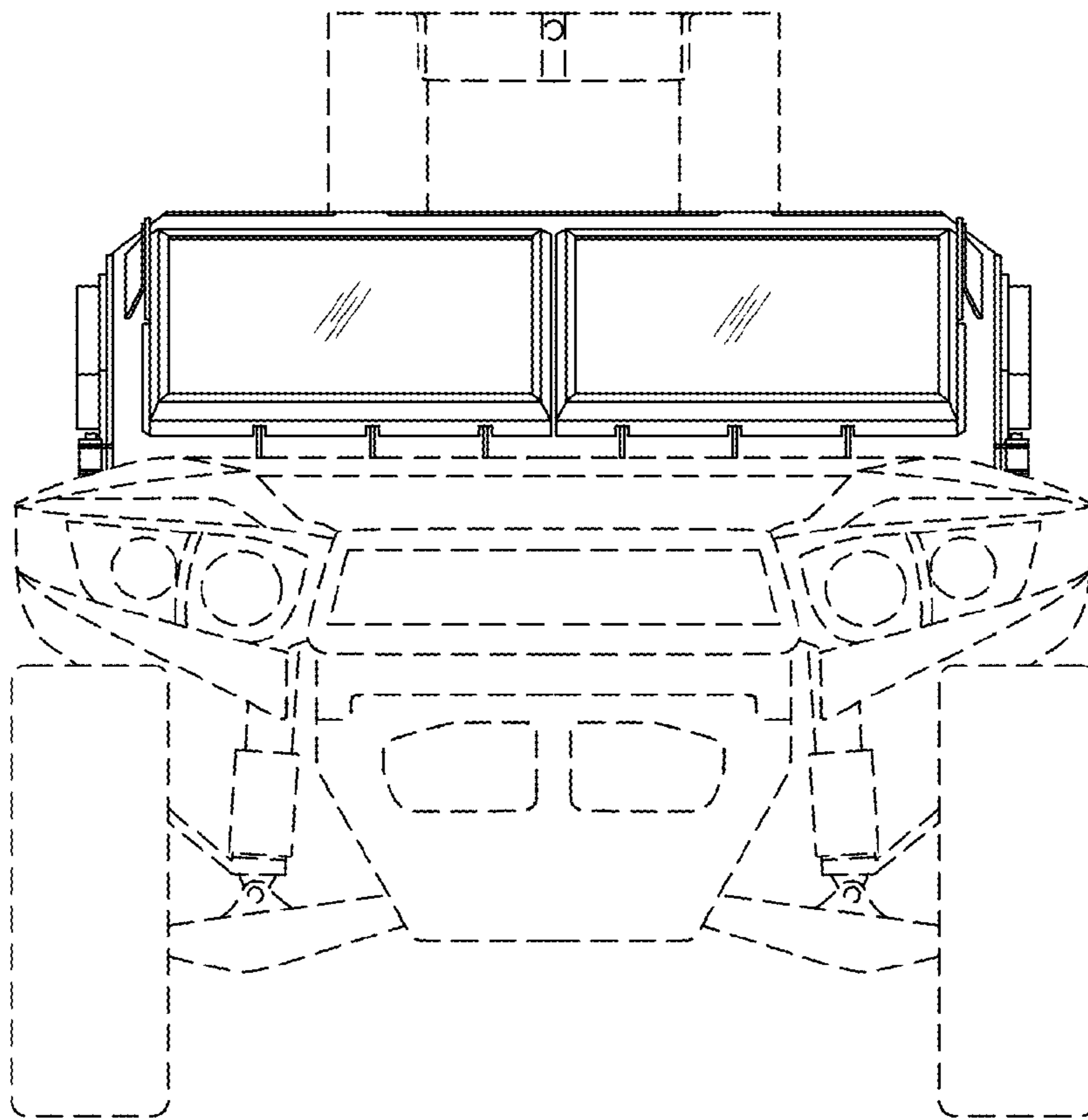


FIG. 4

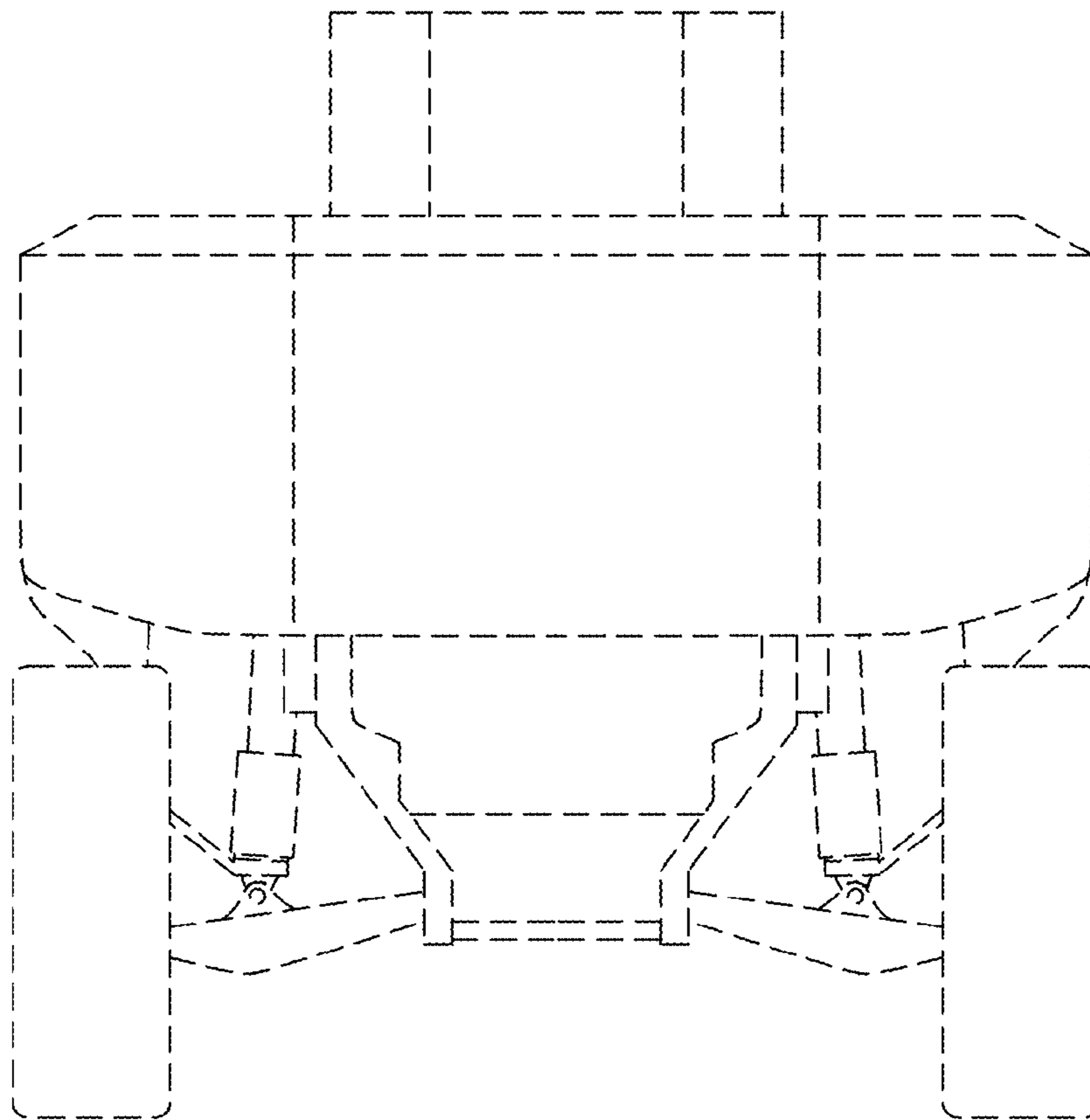


FIG. 5

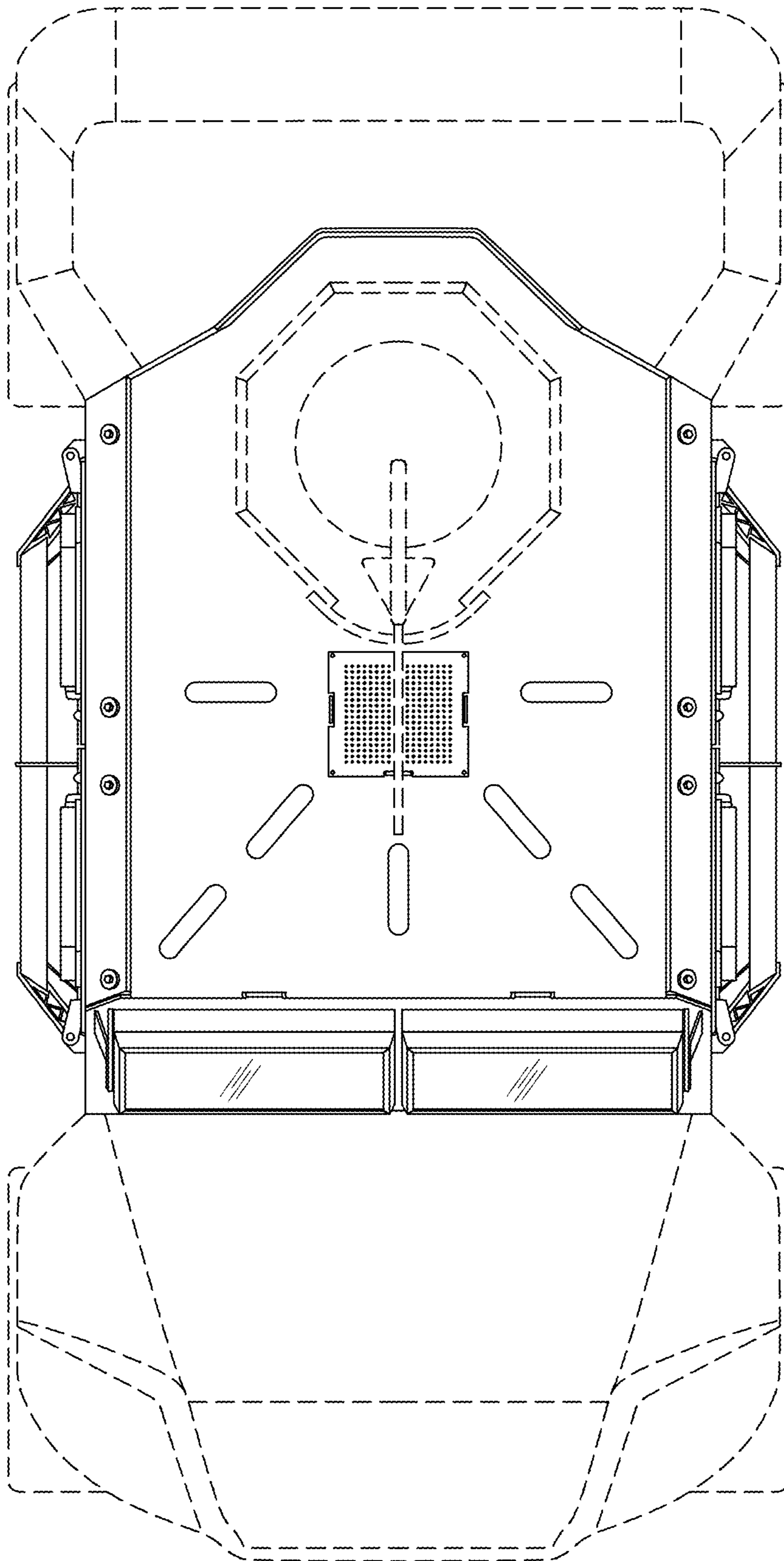


FIG. 6

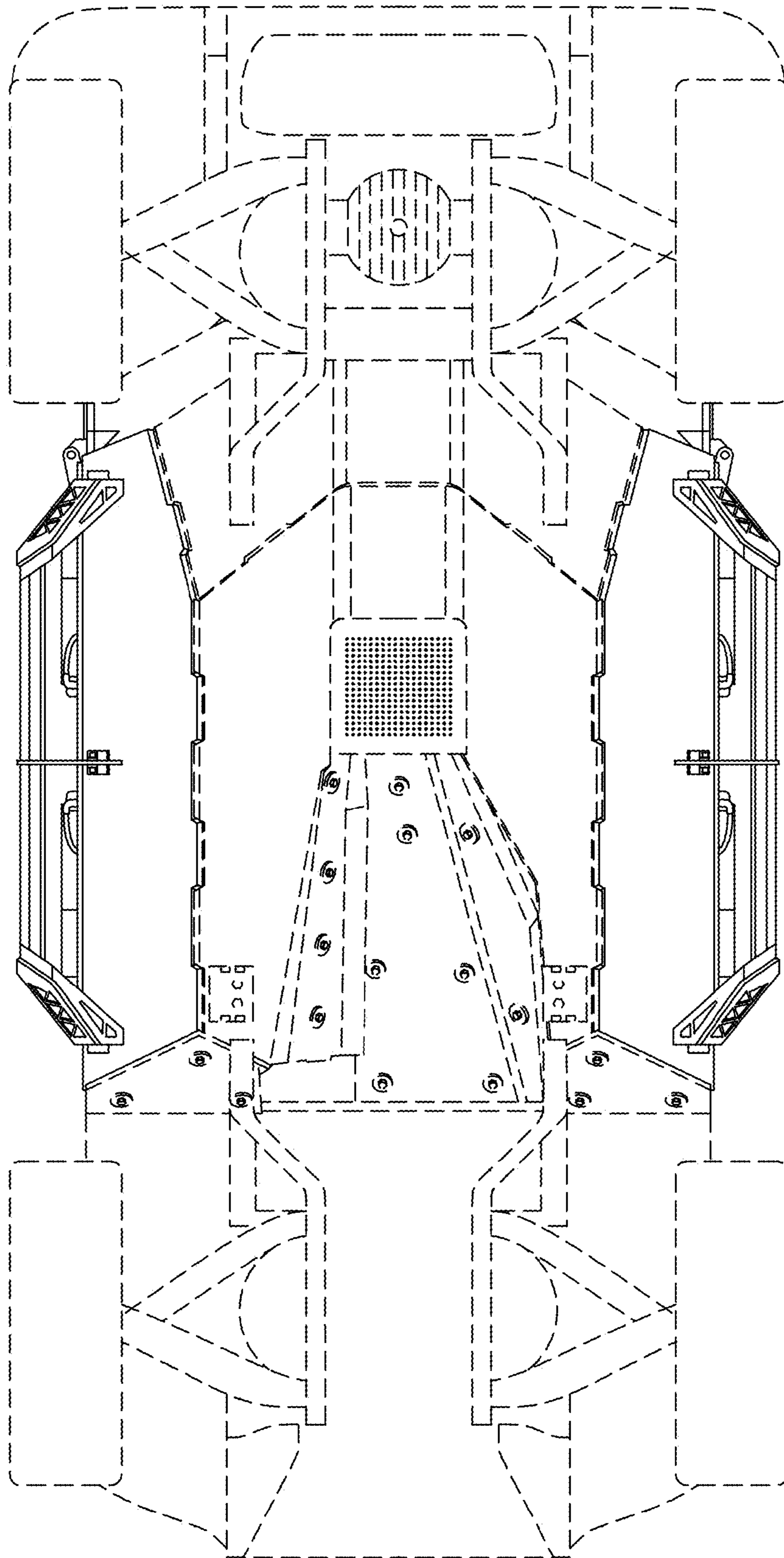


FIG. 7