



US00D738782S

(12) **United States Design Patent**  
**Farmer et al.**

(10) **Patent No.:** **US D738,782 S**  
(45) **Date of Patent:** **\*\* Sep. 15, 2015**

- (54) **BUCKLE FOR A BUGGY**
- (71) Applicant: **Armon Limited**, Geneva (CH)
- (72) Inventors: **Edmund Farmer**, Seymour, CT (US);  
**Andrew Reed**, Trumbull, CT (US)
- (73) Assignee: **ARMON LIMITED**, Geneva (CH)
- (\*\*) Term: **14 Years**
- (21) Appl. No.: **29/473,187**
- (22) Filed: **Nov. 19, 2013**
- (51) **LOC (10) Cl.** ..... **11-02**
- (52) **U.S. Cl.**  
USPC ..... **D11/216; D12/133**
- (58) **Field of Classification Search**  
USPC ..... D12/128-133; 280/62, 647-650, 29,  
280/200, 47.38, 250.1, 259, 642, 658,  
280/304.1; 128/99.1, 100.1; D8/382, 383;  
D11/216; 24/579.11, 615, 625, 630,  
24/632, 633, 642  
See application file for complete search history.

|              |      |        |               |       |           |
|--------------|------|--------|---------------|-------|-----------|
| 7,770,267    | B2 * | 8/2010 | Chen et al.   | ..... | 24/579.11 |
| D632,611     | S *  | 2/2011 | Buscart       | ..... | D11/216   |
| D637,518     | S *  | 5/2011 | Chen          | ..... | D11/216   |
| D655,223     | S *  | 3/2012 | Hadlow et al. | ..... | D11/216   |
| D661,619     | S *  | 6/2012 | Hadlow et al. | ..... | D11/216   |
| 8,434,203    | B2 * | 5/2013 | Morgan et al. | ..... | 24/632    |
| 8,683,666    | B2 * | 4/2014 | Miller        | ..... | 24/633    |
| 2005/0125970 | A1 * | 6/2005 | Nolan         | ..... | 24/615    |
| 2007/0137009 | A1 * | 6/2007 | Chen          | ..... | 24/630    |

\* cited by examiner

*Primary Examiner* — Susan Bennett Hattan

*Assistant Examiner* — Charles Hanson

(74) *Attorney, Agent, or Firm* — Howard & Howard  
Attorneys PLLC

(57) **CLAIM**

We claim the ornamental design for a buckle for a buggy, as shown and described.

**DESCRIPTION**

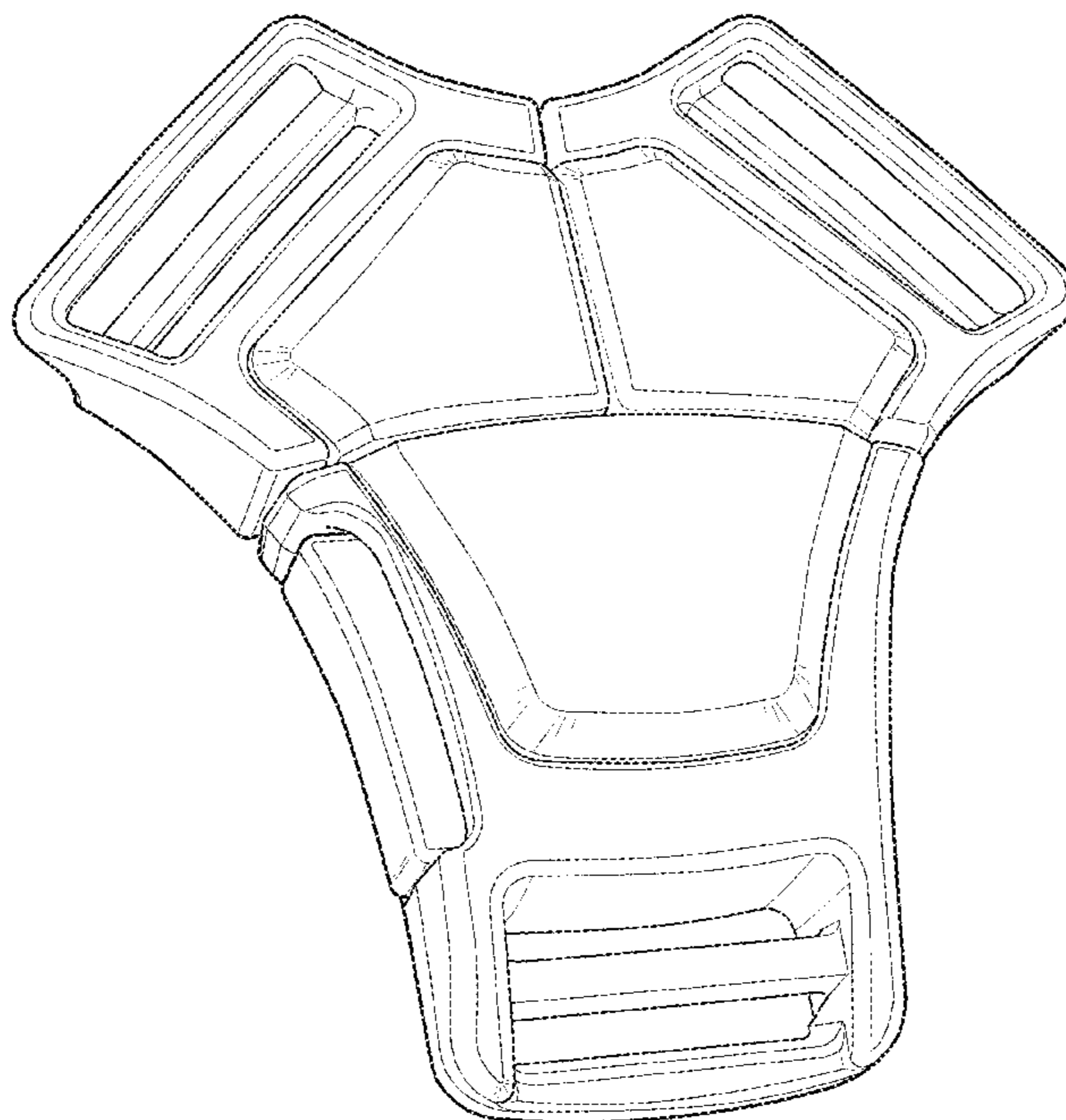
FIG. 1 is a perspective view of the new design of a buckle for use in buggy;  
 FIG. 2 is a front view of the new design of the buckle;  
 FIG. 3 is a left side elevation view of the buckle;  
 FIG. 4 is a rear view of the buckle;  
 FIG. 5 is a right view of the buckle;  
 FIG. 6 is a top view of the buckle;  
 FIG. 7 is a bottom view of the buckle; and,  
 FIG. 8 is a second perspective view of the buckle.  
 The broken lines shown in the figures are for illustrative purposes only and form no part of the claimed design.

**1 Claim, 7 Drawing Sheets**

(56) **References Cited**

**U.S. PATENT DOCUMENTS**

|           |      |         |                |       |         |
|-----------|------|---------|----------------|-------|---------|
| 5,086,548 | A *  | 2/1992  | Tanaka et al.  | ..... | 24/632  |
| 5,283,933 | A *  | 2/1994  | Wiseman et al. | ..... | 24/642  |
| 5,996,192 | A *  | 12/1999 | Haines et al.  | ..... | 24/625  |
| 6,543,101 | B2 * | 4/2003  | Sack et al.    | ..... | 24/633  |
| 6,796,007 | B1 * | 9/2004  | Anscher        | ..... | 24/633  |
| D580,820  | S *  | 11/2008 | Daykin         | ..... | D11/216 |
| D592,543  | S *  | 5/2009  | Kolasa         | ..... | D11/216 |
| 7,600,302 | B2 * | 10/2009 | Dillner        | ..... | 24/615  |



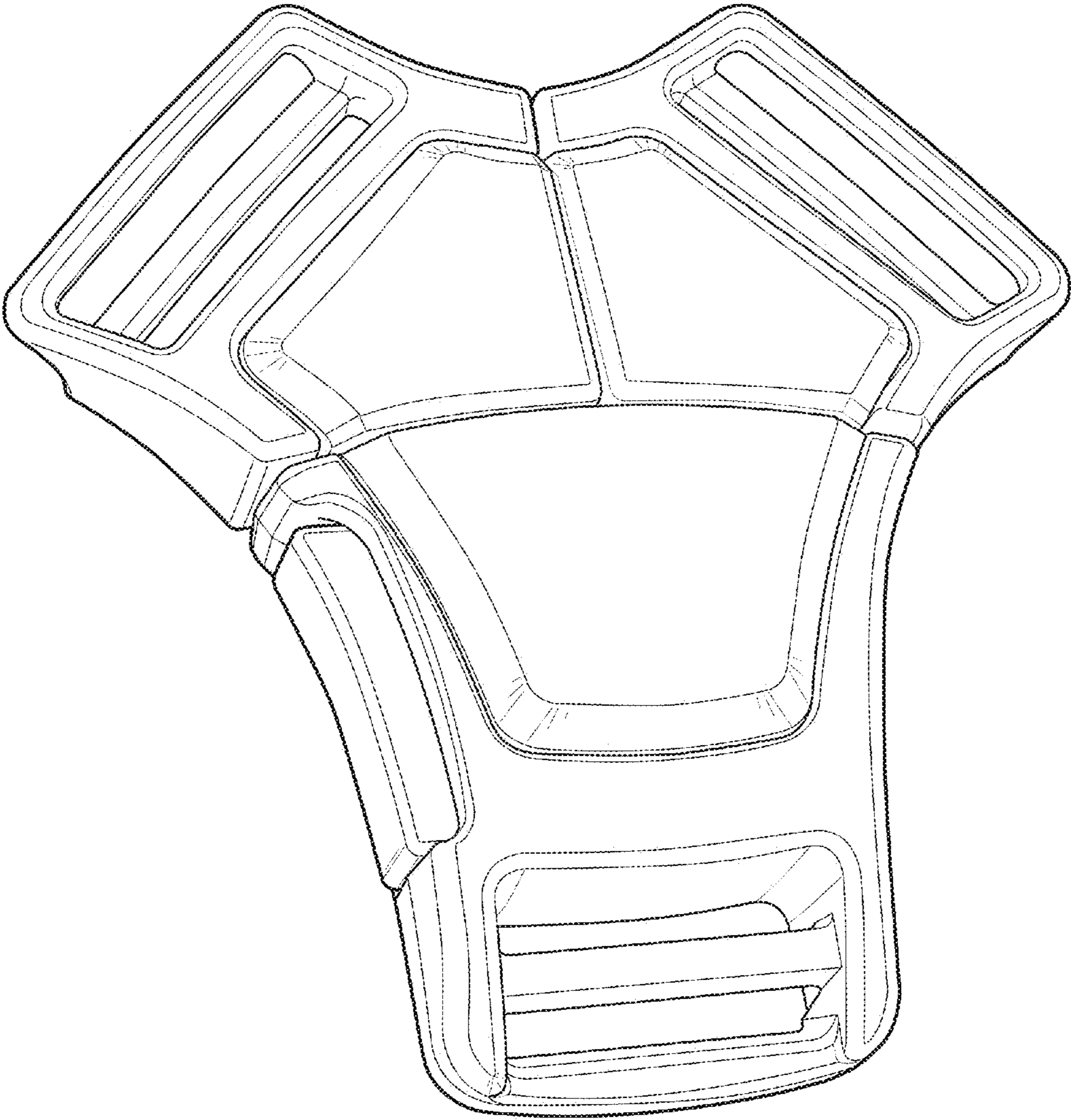


FIG. 1

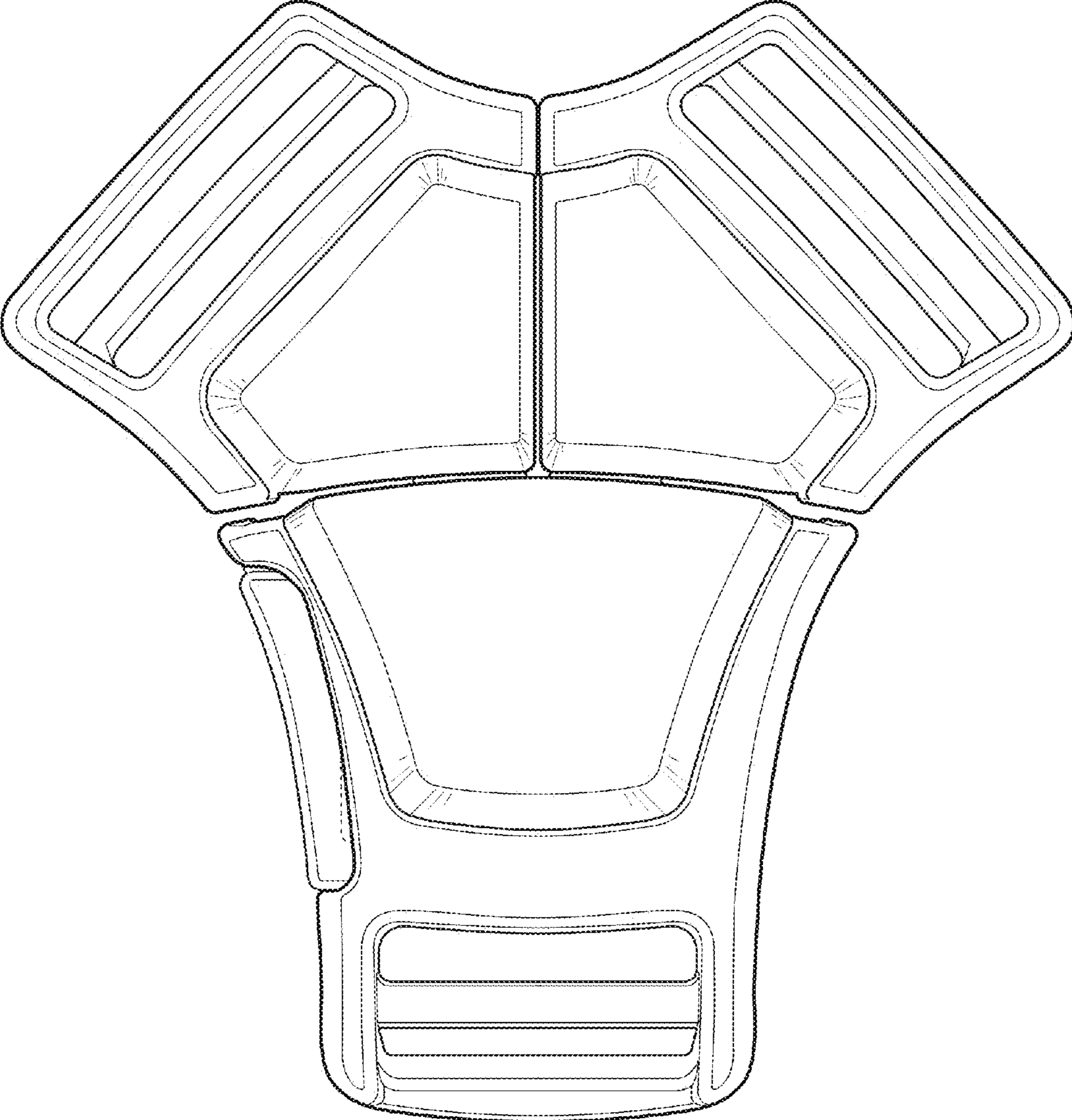


FIG. 2





**FIG. 3**

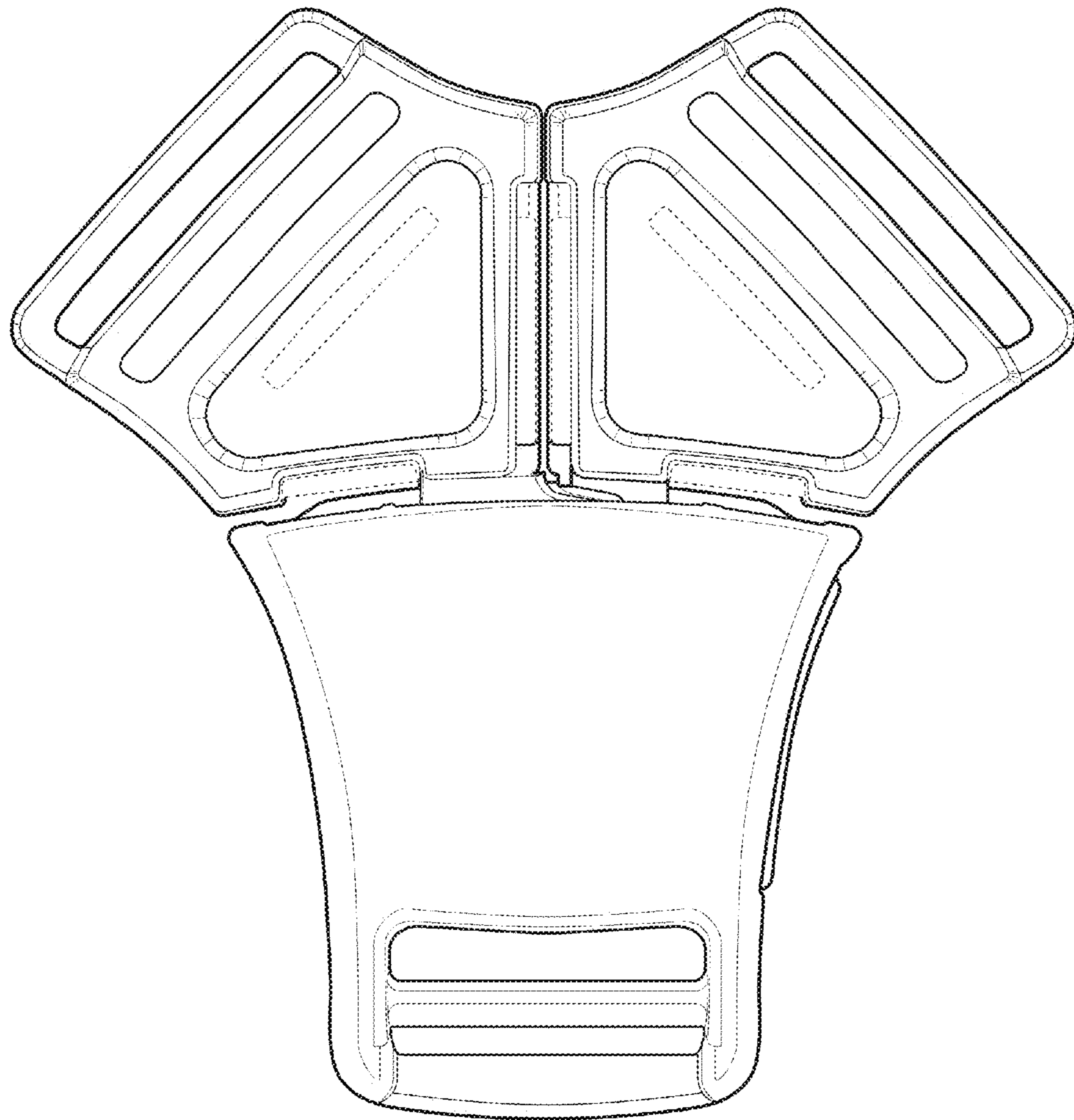
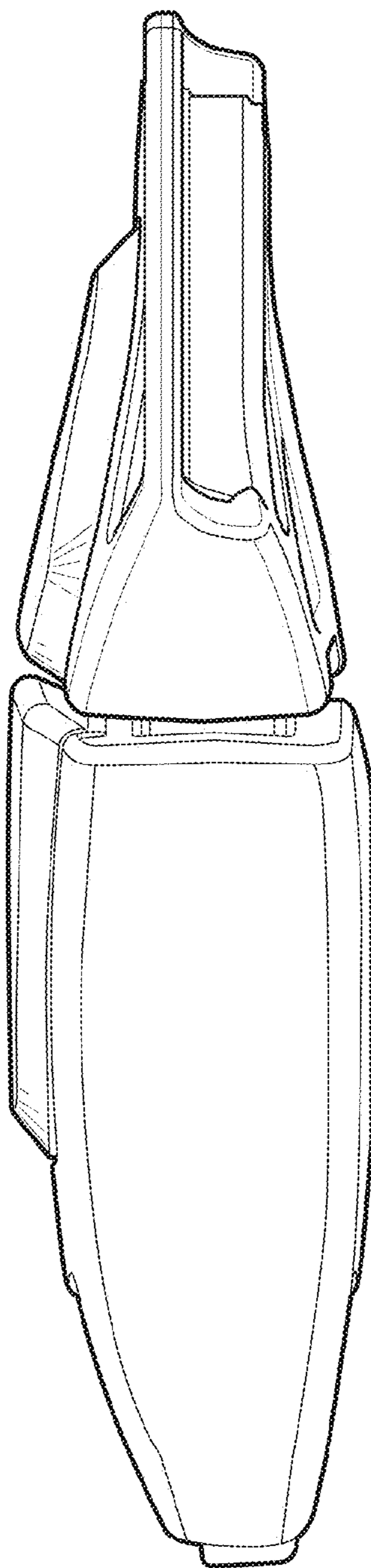


FIG. 4



**FIG. 5**

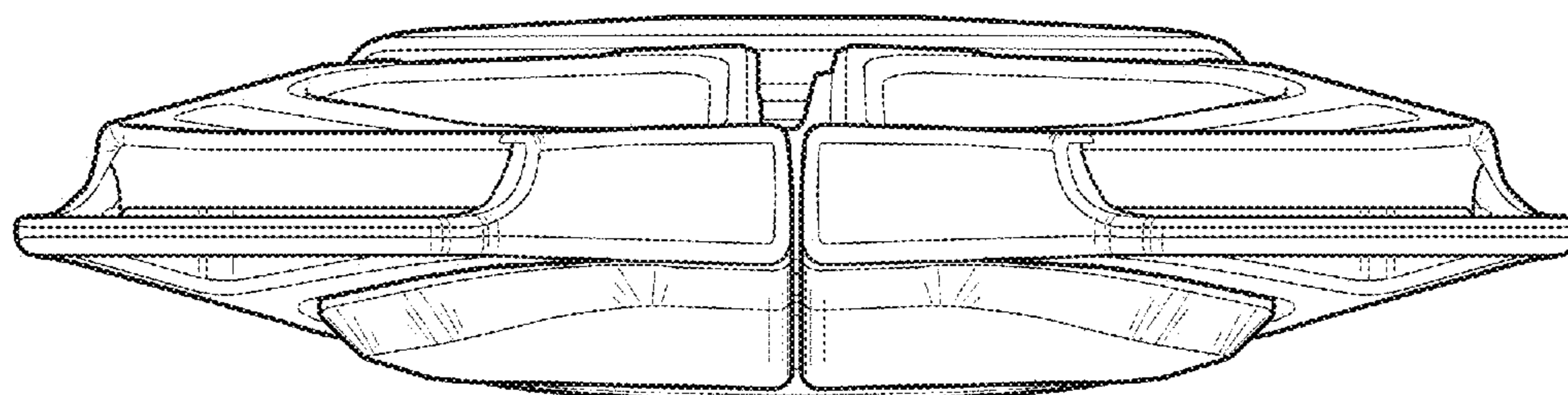


FIG. 6

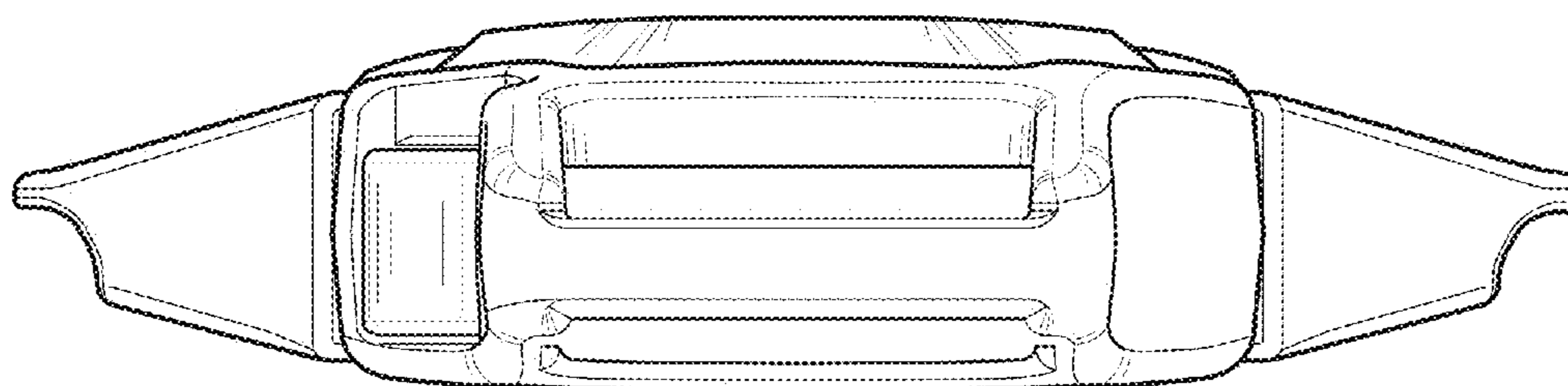
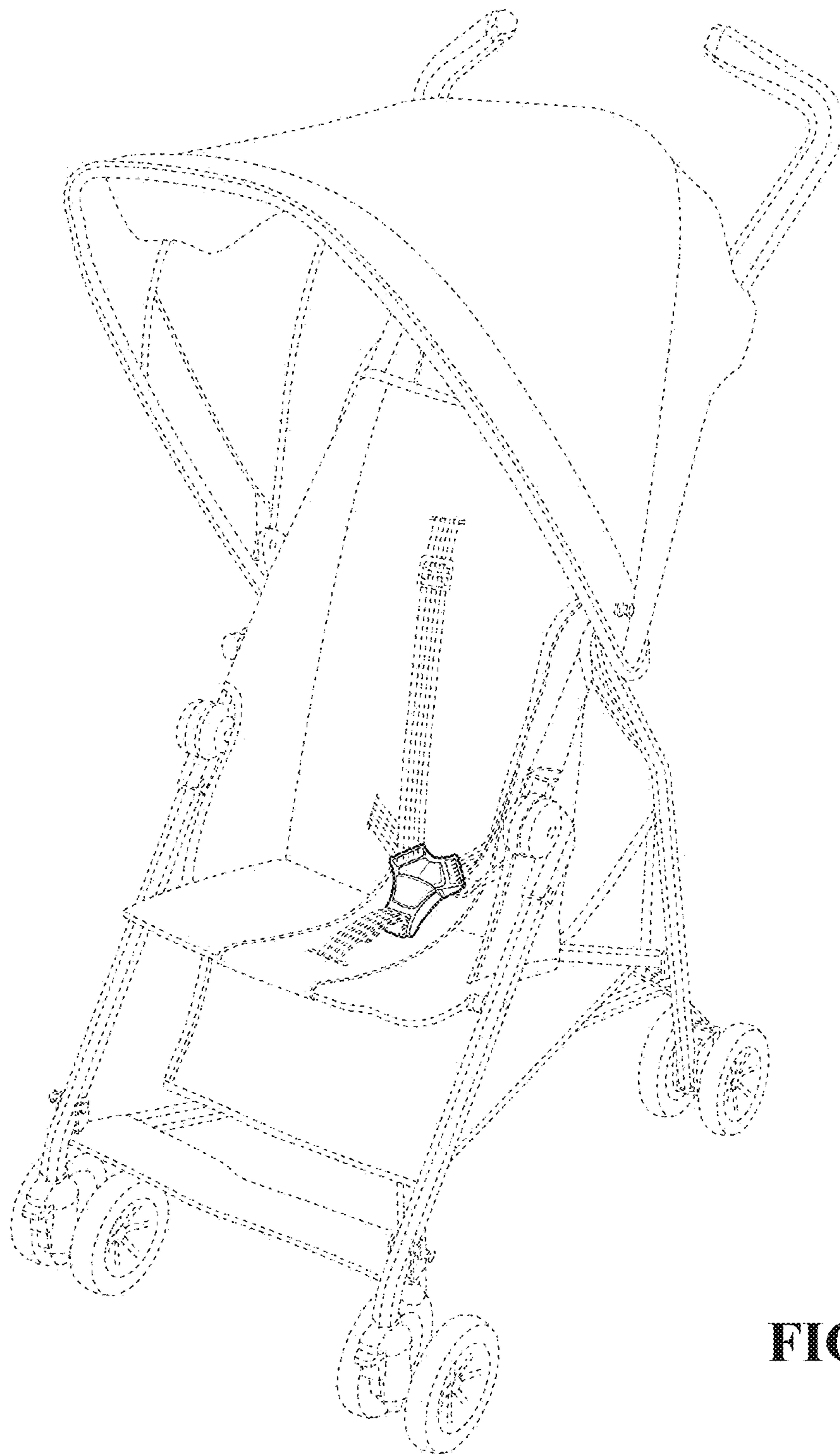


FIG. 7



**FIG. 8**