



US00D738774S

(12) **United States Design Patent**
Vartanian

(10) **Patent No.:** **US D738,774 S**

(45) **Date of Patent:** **** Sep. 15, 2015**

(54) **EARRING**

(71) Applicant: **Jack Vartanian**, São Paulo (BR)

(72) Inventor: **Jack Vartanian**, São Paulo (BR)

(73) Assignee: **JACK VARTANIAN EPP**, Sao Paulo (BR)

(**) Term: **14 Years**

(21) Appl. No.: **29/483,607**

(22) Filed: **Feb. 28, 2014**

(30) **Foreign Application Priority Data**

Aug. 29, 2013 (BR) 30 2013 004285

(51) **LOC (10) Cl.** **11-01**

(52) **U.S. Cl.**
USPC **D11/40**

(58) **Field of Classification Search**
USPC D11/1, 2, 40-52, 79-86, 91, 92; 63/12,
63/13, 14, 18, 26-28, 29.1, 29.2, 31, 32,
63/1.11, 35
See application file for complete search history.

(56) **References Cited**

U.S. PATENT DOCUMENTS

| | | | | |
|--------------|---------|------------|-------|--------|
| D132,457 S * | 5/1942 | Nathan | | D11/75 |
| D145,263 S * | 7/1946 | Philippe | | D11/40 |
| D156,312 S * | 12/1949 | Bogoff | | D11/40 |
| D172,623 S | 7/1954 | Katz | | |
| D257,026 S * | 9/1980 | Barr | | D11/75 |
| D279,878 S * | 7/1985 | Moon | | D11/43 |
| D335,471 S * | 5/1993 | Coleman | | D11/79 |
| D381,925 S * | 8/1997 | Bergannini | | D11/42 |
| D386,439 S * | 11/1997 | Itzkowitz | | D11/41 |
| D394,824 S * | 6/1998 | Itzkowitz | | D11/79 |
| D406,246 S | 3/1999 | Bulgari | | |
| D417,636 S | 12/1999 | Ambar | | |

| | | | | |
|--------------|---------|--------------|-------|--------|
| D439,190 S * | 3/2001 | Itzkowitz | | D11/26 |
| D442,110 S * | 5/2001 | Edmond | | D11/40 |
| D447,716 S * | 9/2001 | Itzkowitz | | D11/26 |
| D452,183 S | 12/2001 | Pinto | | |
| D460,714 S | 7/2002 | Steinberg | | |
| D485,778 S * | 1/2004 | Steckbeck | | D11/7 |
| D485,779 S * | 1/2004 | Steckbeck | | D11/7 |
| D486,416 S * | 2/2004 | Pachachi | | D11/40 |
| D499,046 S * | 11/2004 | Pinto et al. | | D11/79 |
| D511,310 S | 11/2005 | Gruosi | | |

(Continued)

OTHER PUBLICATIONS

[Online] <http://thefashion-court.com/wp-content/uploads/2014/06/jack-vartanian-universal-diamond-ear-climbers-earrings.png>. Retrieved Sep. 17, 2014.*

(Continued)

Primary Examiner — Jennifer Rivard

(74) *Attorney, Agent, or Firm* — Ladas & Parry, LLP

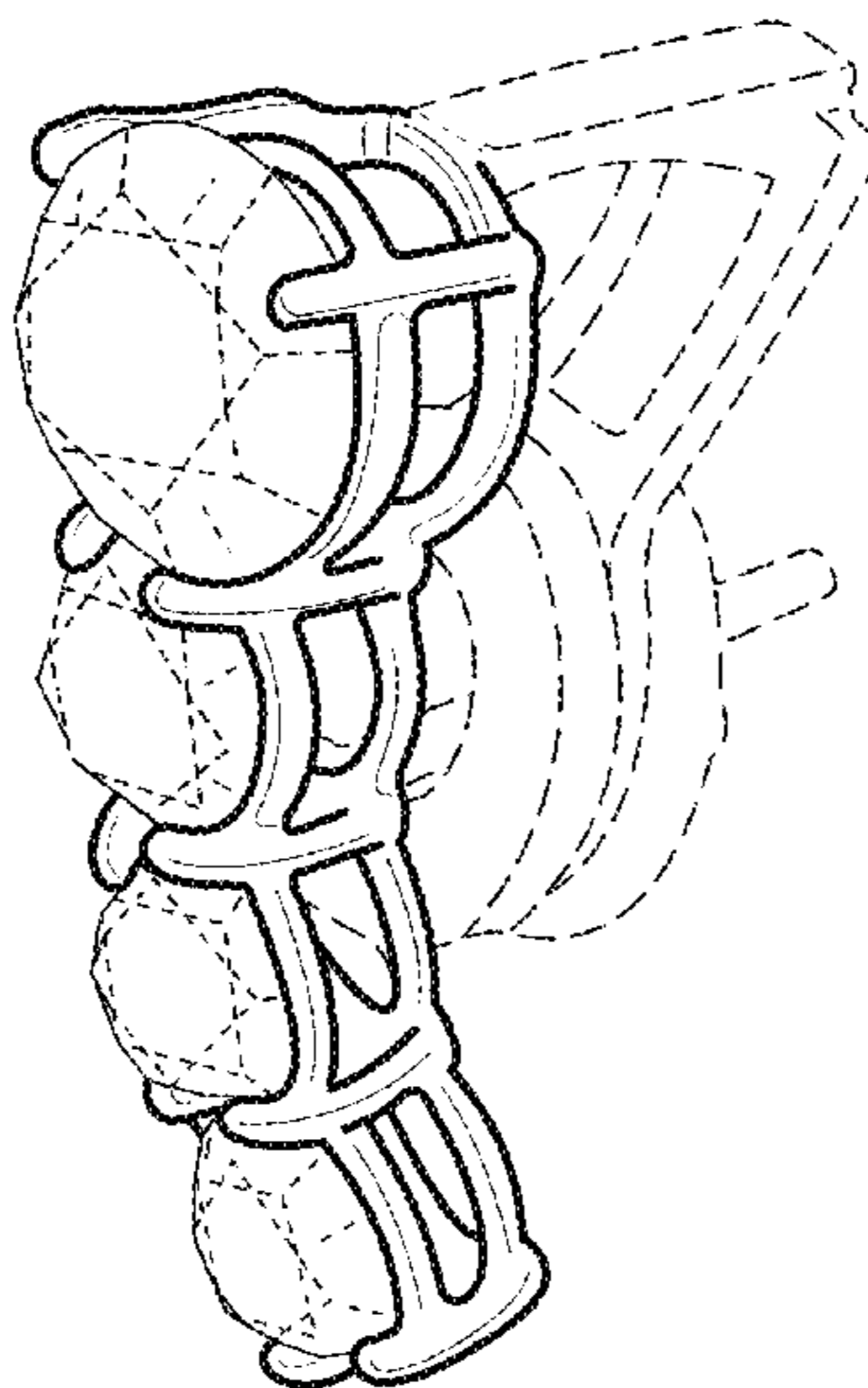
(57) **CLAIM**

The ornamental design for an earring, as shown and described.

DESCRIPTION

FIG. 1 is a front perspective view of a first embodiment of an earring showing my new design;
FIG. 2 is a front view of the design thereof;
FIG. 3 is a rear view of the design thereof;
FIG. 4 is a left side view of the design thereof;
FIG. 5 is a right side view of the design thereof;
FIG. 6 is a top perspective view of the design thereof; and,
FIG. 7 is a bottom perspective view of the design thereof.
The broken lines shown in the drawings represent portions of the earring which form no part of the claimed design.
The design of the earring includes a second embodiment which is a mirror image of the first embodiment.

1 Claim, 4 Drawing Sheets



(56)

References Cited

U.S. PATENT DOCUMENTS

D642,088 S 7/2011 Kothari
 D655,219 S 3/2012 Kothari
 D666,522 S 9/2012 Dholakiya
 D674,315 S 1/2013 Dholakiya
 D679,215 S 4/2013 Roehl
 D682,139 S 5/2013 Kothari
 2011/0056242 A1* 3/2011 Chan 63/27

OTHER PUBLICATIONS

[Online] <http://media-cache-ec0.pinimg.com/236x/7e/91/ff/7e91ff2bb400a39579acf5d39c021196.jpg>. Retrieved Sep. 17, 2014.*
 [Online] <http://media-cache-ec0.pinimg.com/736x/23/ff/eb/23ffeb119625af9a8b1104757e0a166e.jpg>. Retrieved Sep. 17, 2014.*
 U.S. Appl. No. 29/467,066, filed Sep. 13, 2013, Vartanian.
 U.S. Appl. No. 29/469,684, filed Oct. 12, 2013, Vartanian.
 U.S. Appl. No. 29/472,467, filed Nov. 12, 2013, Vartanian.
 U.S. Appl. No. 29/472,468, filed Nov. 12, 2013, Vartanian.
 U.S. Appl. No. 29/482,689, filed Feb. 20, 2014, Vartanian.
 U.S. Appl. No. 29/483,609, filed Feb. 28, 2014, Vartanian.
 U.S. Appl. No. 29/483,610, filed Feb. 28, 2014, Vartanian.
 U.S. Appl. No. 29/483,611, filed Feb. 28, 2014, Vartanian.
 U.S. Appl. No. 29/483,914, filed Mar. 4, 2014, Vartanian.
 U.S. Appl. No. 29/484,340, filed Mar. 7, 2014, Vartanian.
 U.S. Appl. No. 29/484,341, filed Mar. 7, 2014, Vartanian.
 U.S. Appl. No. 29/484,502, filed Mar. 10, 2014, Vartanian.
 Picture of table, taken on Jul. 16, 2014.
 [Online] <http://cherylkremlow.com/core/wp-content/uploads/2014/07/Jack-Vartanian-Ruby.jpg>. Retrieved Sep. 15, 2014.
 [Online] <http://mdemulher.abril.com.br/blogs/modaspot-news/files/legado/2013/03/joias.jpg>. Retrieved Aug. 21, 2014.
 [Online] <http://media-cache-ak0.pinimg.com/236x/28/58/c6/2858c6829b4485a5e6022552327a81e5.jpg>. Retrieved Sep. 17, 2014.

[Online] <http://media-cache-ak0.pinimg.com/236x/77/c6/94/77c694ba4375d2e3fbf93b28e187b9d3.jpg>. Retrieved Sep. 11, 2014.
 [Online] <http://media-cache-ak0.pinimg.com/736x/24/f6/e7/24f6e7fba27f0b3c111e32ec62d3e273.jpg>. Retrieved Sep. 17, 2014.
 [Online] <http://media-cache-ec0.pinimg.com/736x/c7/84/fl/c784f163e3fcb9749c47f66cec011f52.jpg>. Retrieved Sep. 11, 2014.
 [Online] <http://onlinestore.jackvartanian.com/coliection/new-desire#!/campanha/0>. Retrieved Jun. 26, 2014.
 [Online] <http://onlinestore.jackvartanian.com/collection/new-desire#!/campanha/3>. Retrieved Jun. 26, 2014.
 [Online] <http://thefashion-court.com/wp-content/uploads/2014/08/jack-vartanian-diamond-ear-climbers-black.png>. Retrieved Sep. 17, 2014.
 Office Action from Design U.S. Appl. No. 29/467,066 mailed on Sep. 17, 2014.
 Office Action from Design U.S. Appl. No. 29/469,684 mailed on Aug. 25, 2014.
 Office Action from Design U.S. Appl. No. 29/472,467 mailed on Jun. 27, 2014.
 Office Action from Design U.S. Appl. No. 29/472,468 mailed on Jun. 30, 2014.
 Office Action from Design U.S. Appl. No. 29/482,689 mailed on Oct. 1, 2014.
 Office Action from Design U.S. Appl. No. 29/483,609 mailed on Sep. 17, 2014.
 Office Action from Design U.S. Appl. No. 29/483,610 mailed on Sep. 18, 2014.
 Office Action from Design U.S. Appl. No. 29/483,611 mailed on Sep. 22, 2014.
 Office Action from Design U.S. Appl. No. 29/483,914 mailed on Sep. 25, 2014.
 Office Action from Design U.S. Appl. No. 29/484,340 mailed on Sep. 23, 2014.
 Office Action from Design U.S. Appl. No. 29/484,341 mailed on Sep. 19, 2014.
 Office Action from Design U.S. Appl. No. 29/484,502 mailed on Sep. 22, 2014.

* cited by examiner

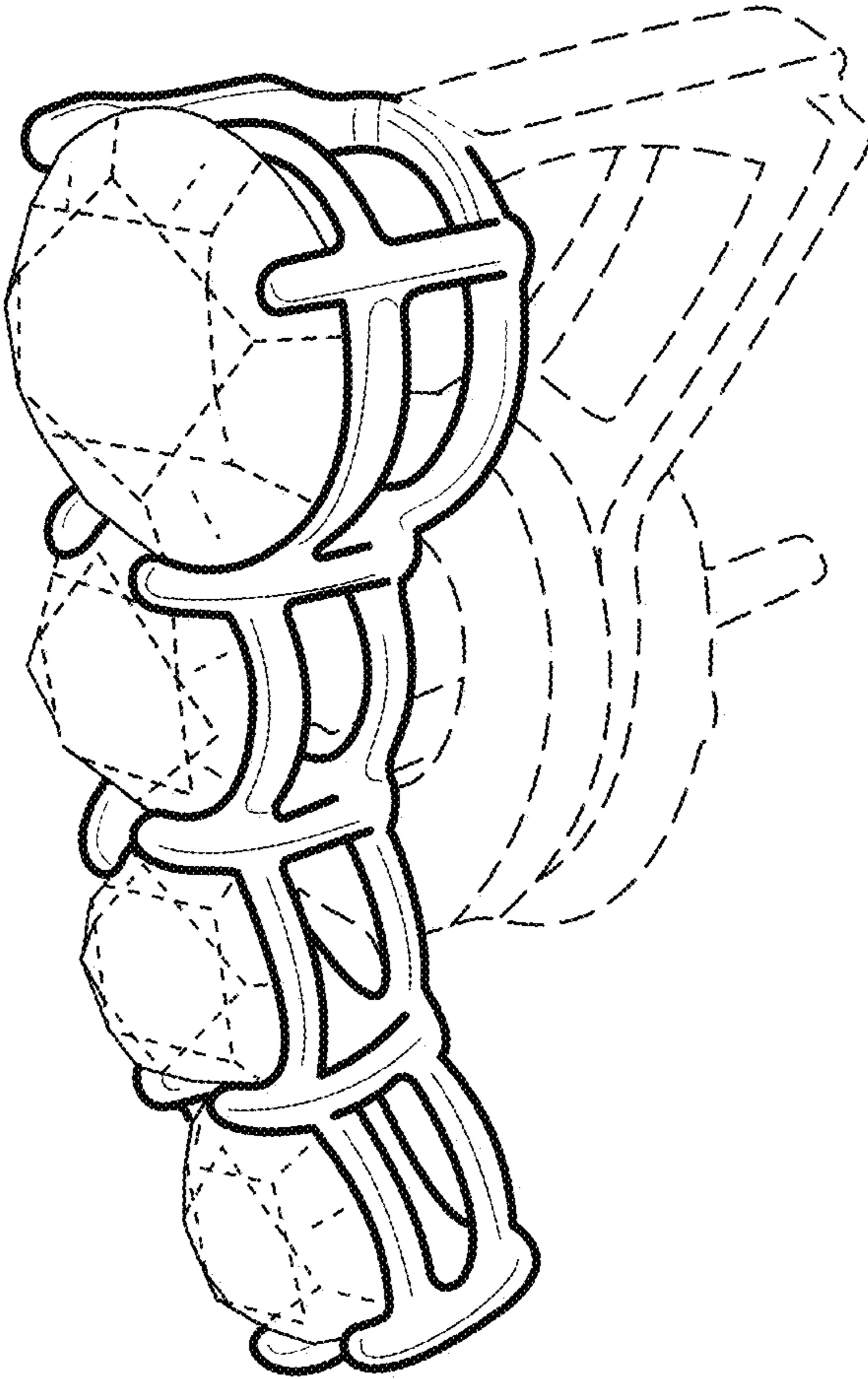


FIG. 1

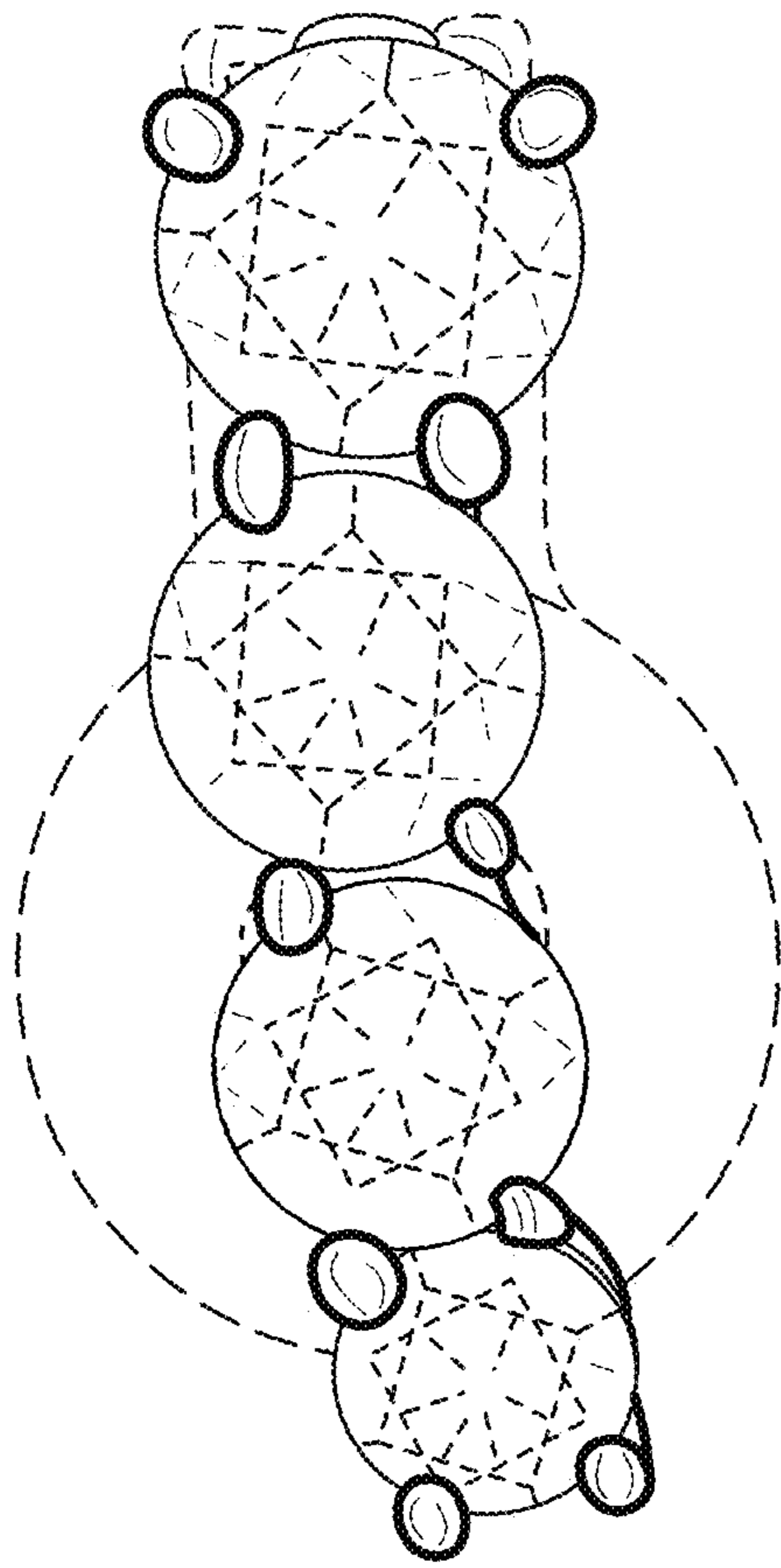


FIG. 2

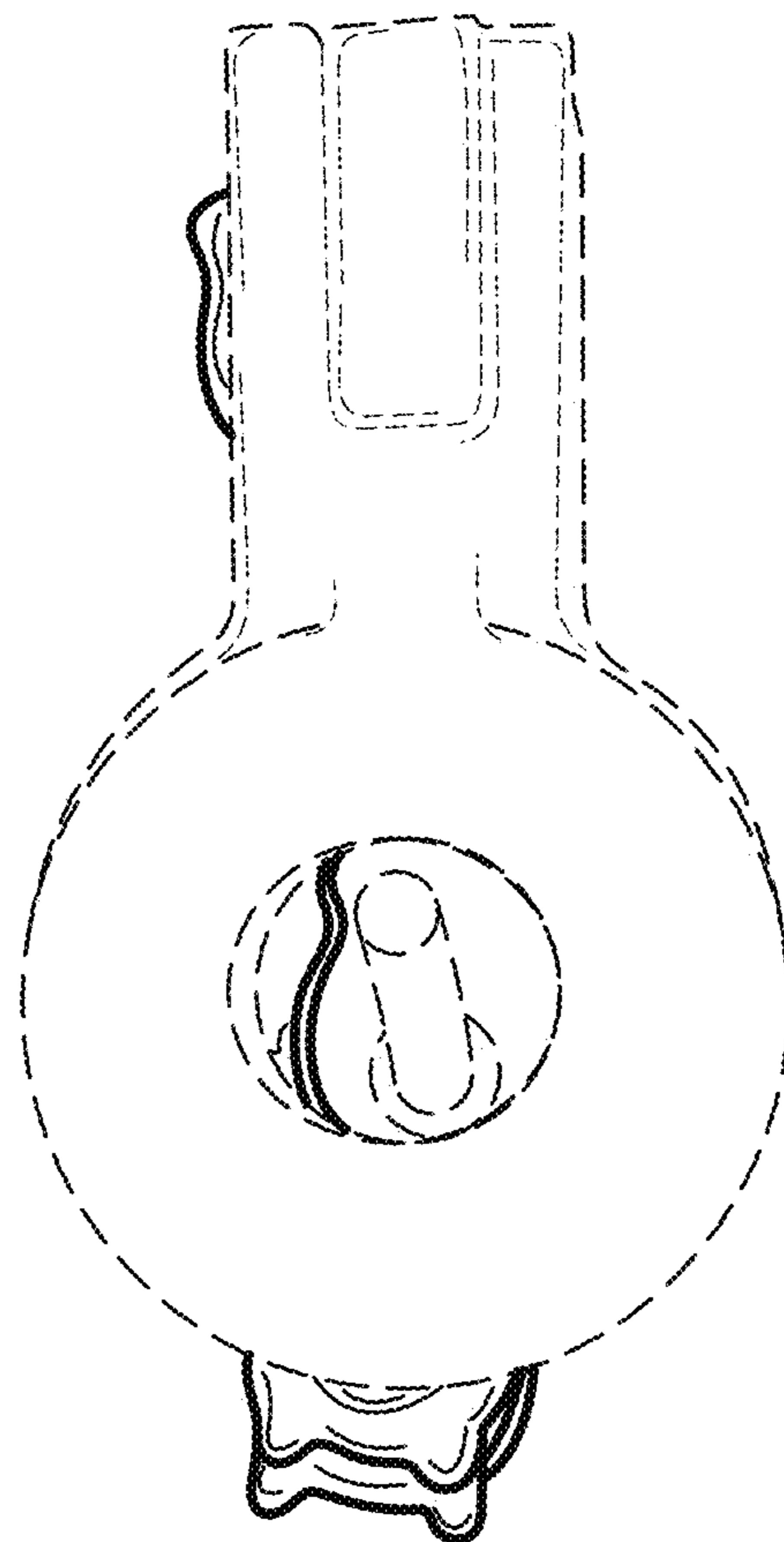


FIG. 3

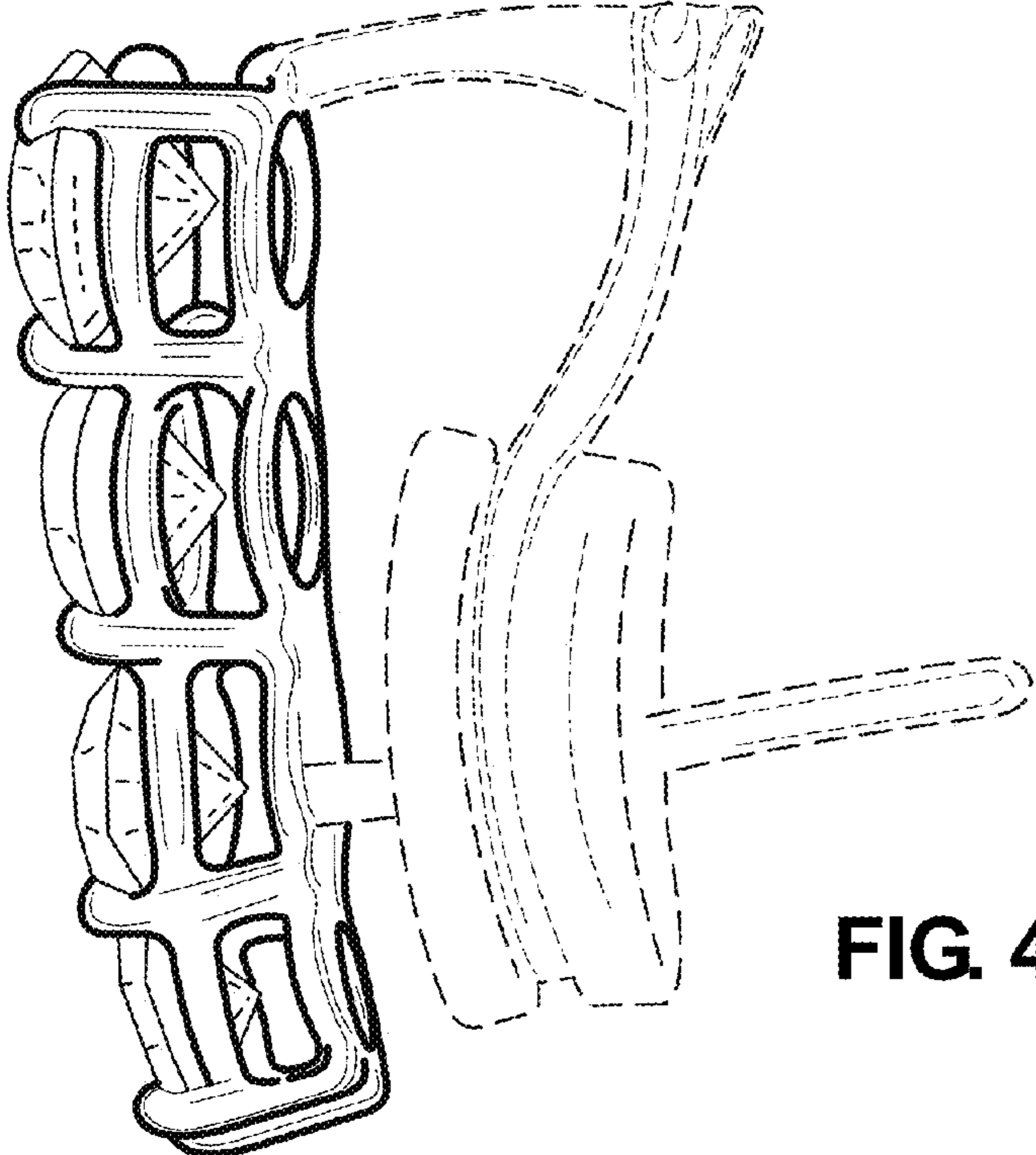


FIG. 4

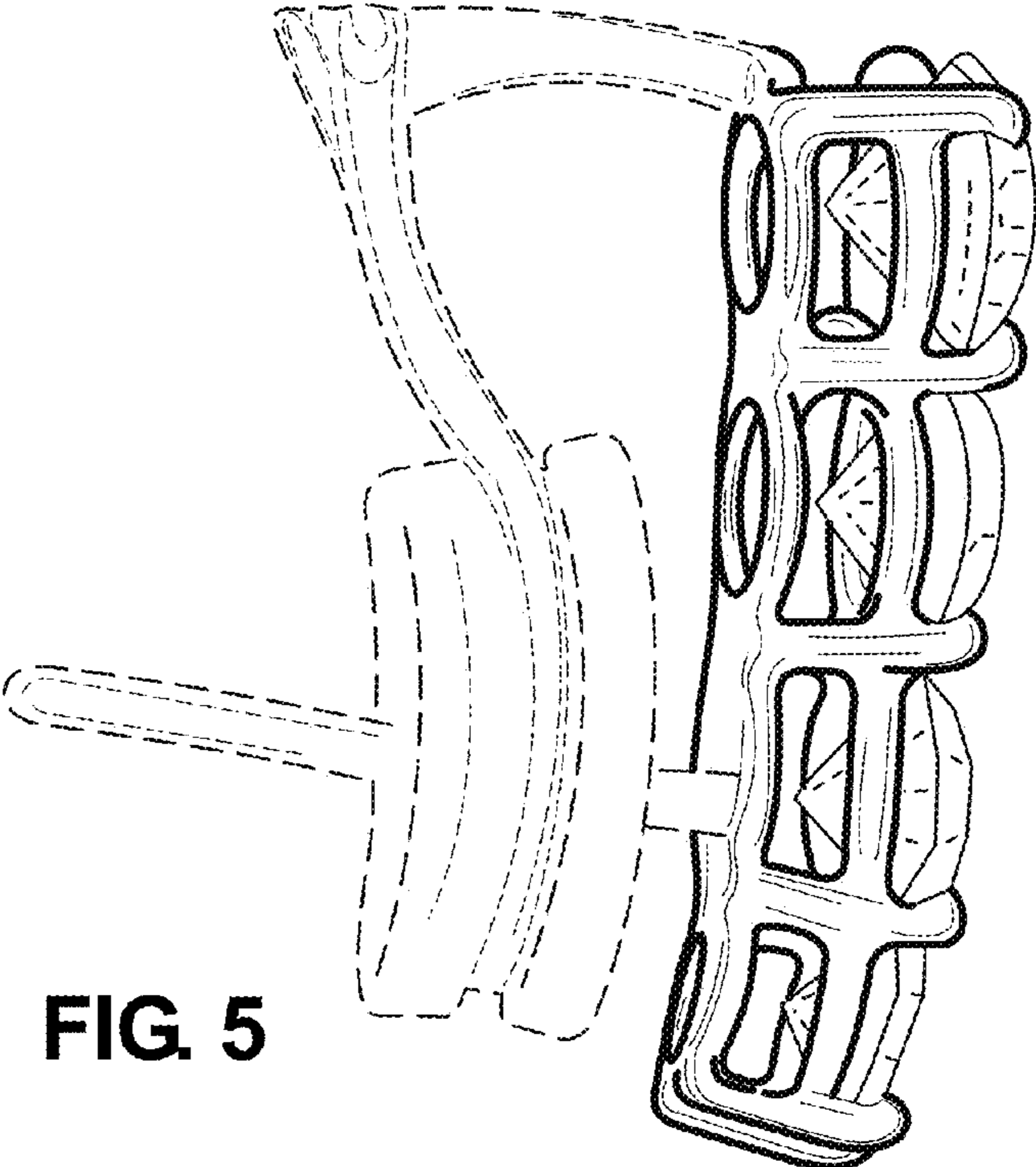


FIG. 5

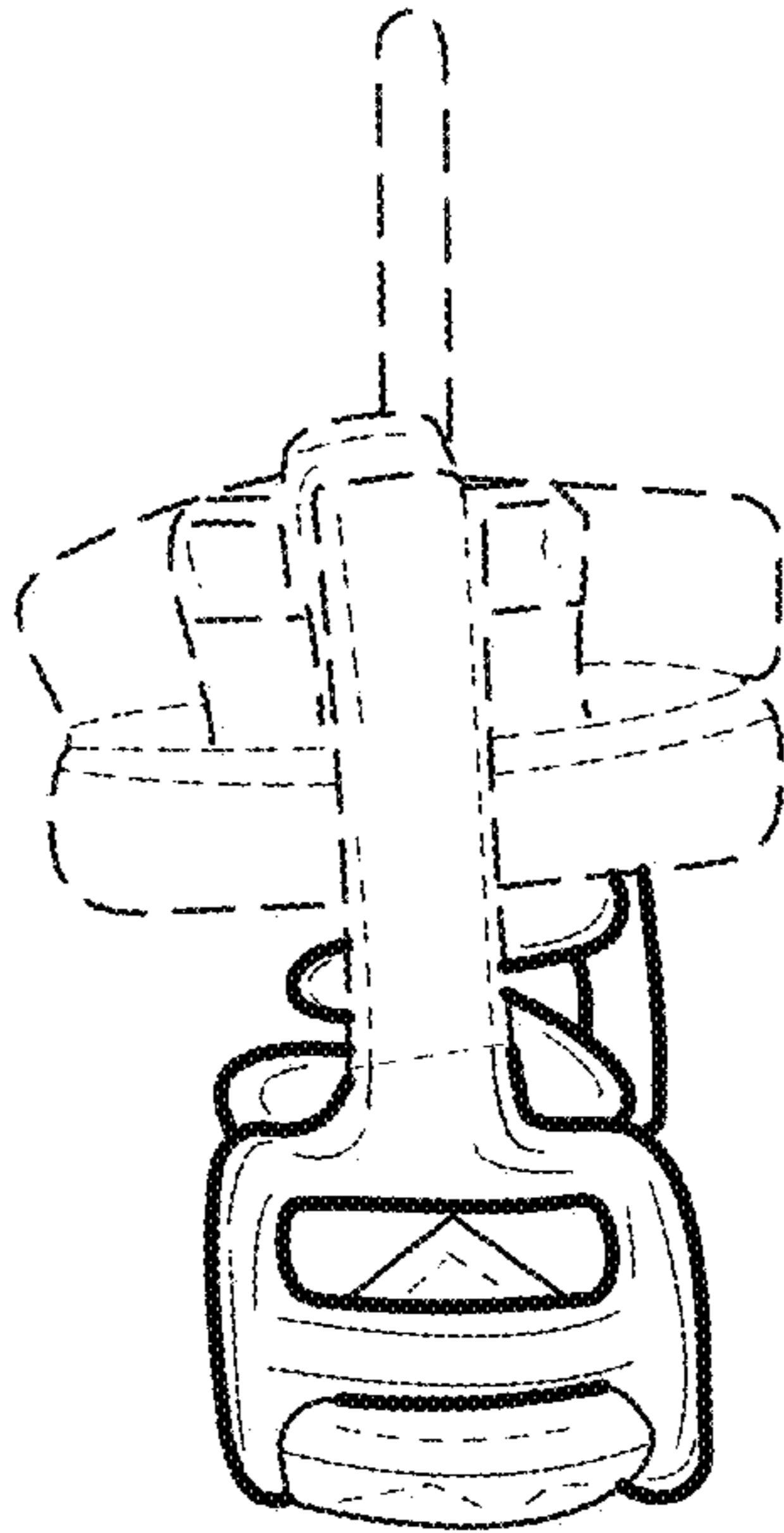


FIG. 6

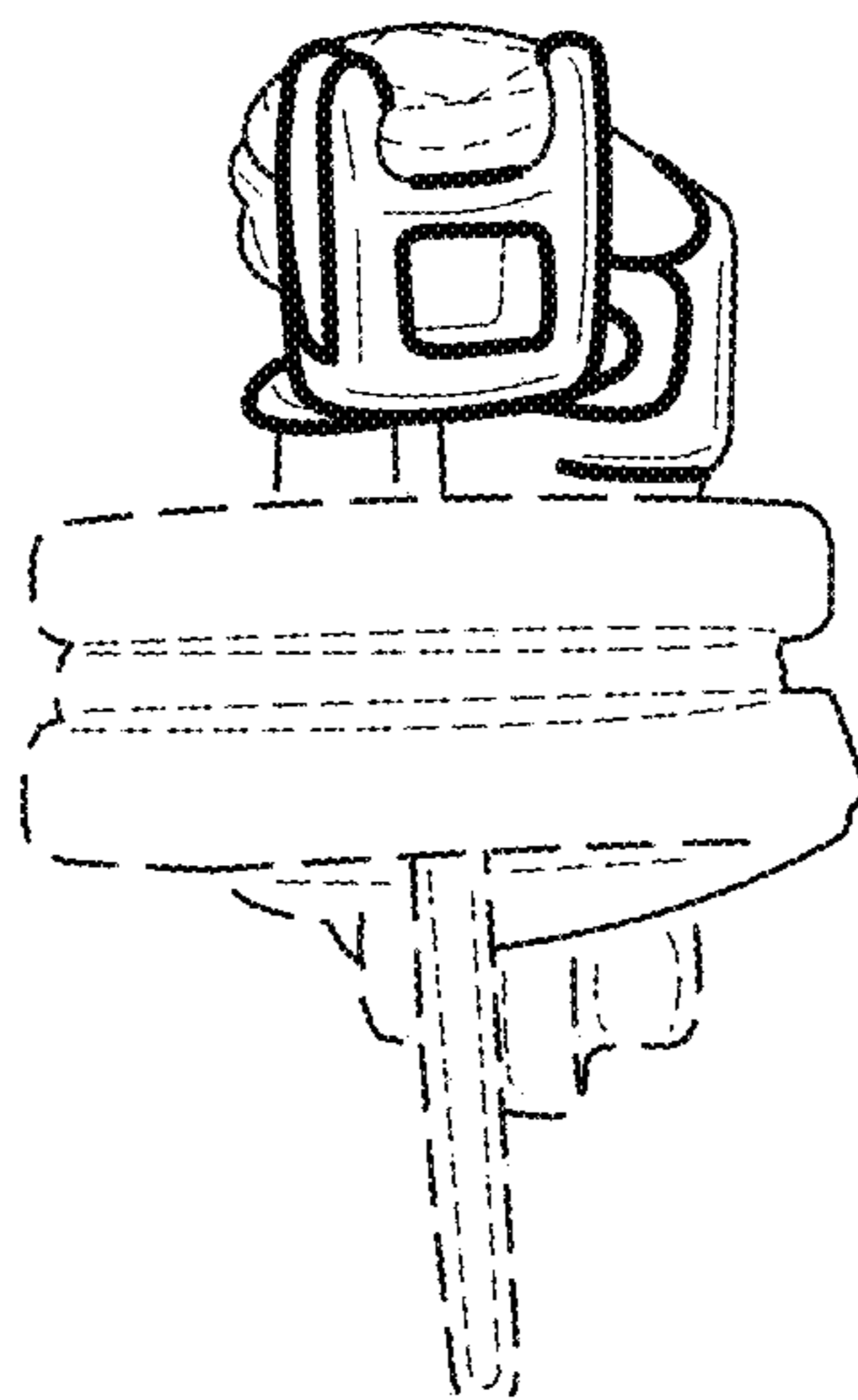


FIG. 7