



US00D738768S

(12) **United States Design Patent**  
**Amfitheatrof et al.**

(10) **Patent No.:** **US D738,768 S**  
(45) **Date of Patent:** **\*\* Sep. 15, 2015**

(54) **JEWELRY ITEM**

(71) Applicant: **Tiffany and Company**, New York, NY  
(US)

(72) Inventors: **Francesca Amfitheatrof**, New York, NY  
(US); **Emily Morrow**, New York, NY  
(US); **James Stonebraker**, New York,  
NY (US); **Neil Desai**, Wood-Ridge, NJ  
(US)

(73) Assignee: **Tiffany and Company**, New York, NY  
(US)

(\*\*) Term: **14 Years**

(21) Appl. No.: **29/502,744**

(22) Filed: **Sep. 18, 2014**

(51) **LOC (10) Cl.** ..... **11-01**

(52) **U.S. Cl.**  
USPC ..... **D11/1; D11/79; D11/80**

(58) **Field of Classification Search**  
USPC ..... **D11/1, 7, 8, 79-86, 87, 88, 62, 44, 47,**  
**D11/48**

CPC ..... **A44C 15/002; A44C 15/0025; A44C**  
**15/005; A44C 25/00; A44C 25/001; A44C**  
**25/007; A44C 1/00**

See application file for complete search history.

(56) **References Cited**

**U.S. PATENT DOCUMENTS**

2,125,267 A \* 8/1938 Bekan ..... 242/146  
2,261,958 A \* 11/1941 Burri ..... 63/32  
D153,058 S \* 3/1949 Chernow ..... D11/79

D245,834 S \* 9/1977 Wilbert ..... D11/7  
D249,131 S \* 8/1978 Barr ..... D11/81  
D327,031 S \* 6/1992 Solomon et al. .... D11/80  
D404,681 S \* 1/1999 Galerneau ..... D11/121  
D531,079 S \* 10/2006 Scharr ..... D11/86  
D596,306 S \* 7/2009 Levine ..... D24/214  
D659,584 S \* 5/2012 Veit ..... D11/81  
D672,465 S \* 12/2012 Sherman ..... D24/207  
D696,603 S \* 12/2013 Kornerup ..... D11/1  
D718,915 S \* 12/2014 Byers ..... D99/37

**OTHER PUBLICATIONS**

[Online] [http://ecx.images-amazon.com/images/I/41YFkqOUPBL.\\_SY300\\_.jpg](http://ecx.images-amazon.com/images/I/41YFkqOUPBL._SY300_.jpg). Retrieved Apr. 15, 2015.\*

\* cited by examiner

*Primary Examiner* — Garth Rademaker

*Assistant Examiner* — Melanie Pellegrini

(74) *Attorney, Agent, or Firm* — Fross Zelnick Lehrman &  
Zissu, P.C.; Charles T. J. Weigell, Esq.

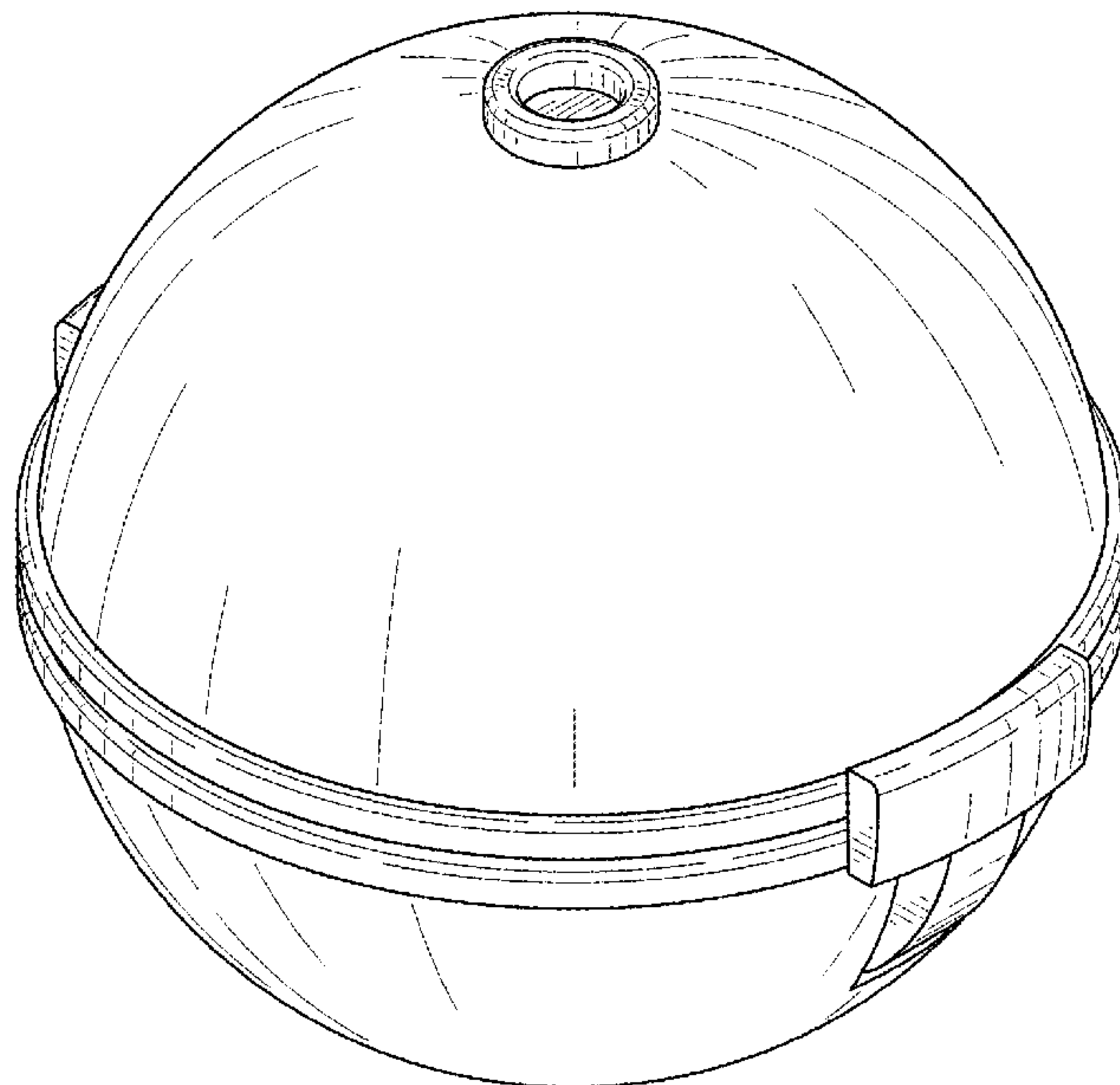
(57) **CLAIM**

The ornamental design for a jewelry item, as shown and described.

**DESCRIPTION**

FIG. 1 is a front perspective view of a jewelry item showing my new design;  
FIG. 2 is a front view of the jewelry item shown in FIG. 1;  
FIG. 3 is a rear view of the jewelry item shown in FIG. 1;  
FIG. 4 is a right side view of the jewelry item shown in FIG. 1;  
FIG. 5 is a left side view of the jewelry item shown in FIG. 1;  
FIG. 6 is a top view of the jewelry item shown in FIG. 1; and,  
FIG. 7 is a bottom view of the jewelry item shown in FIG. 1.

**1 Claim, 4 Drawing Sheets**



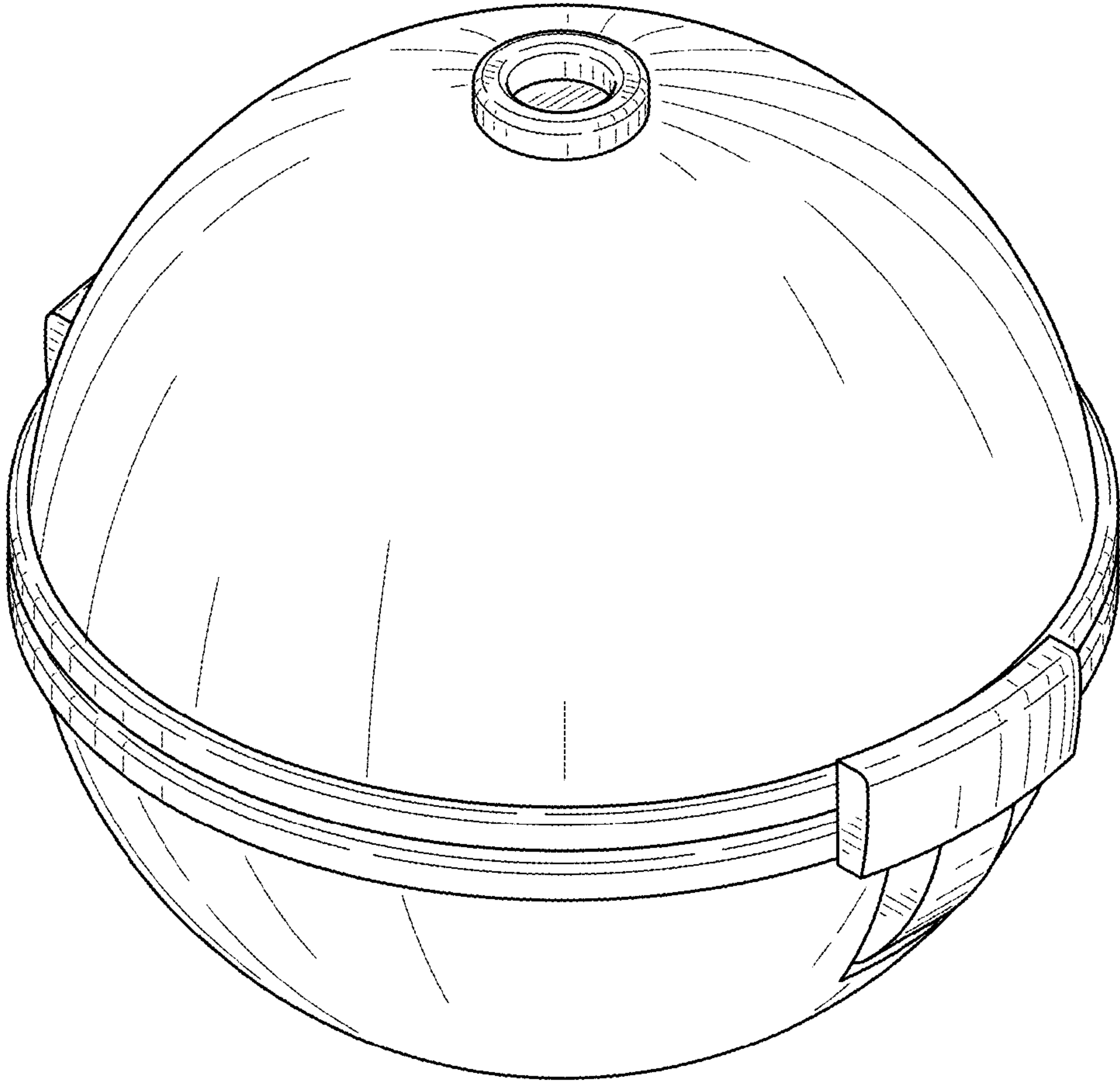


FIG. 1

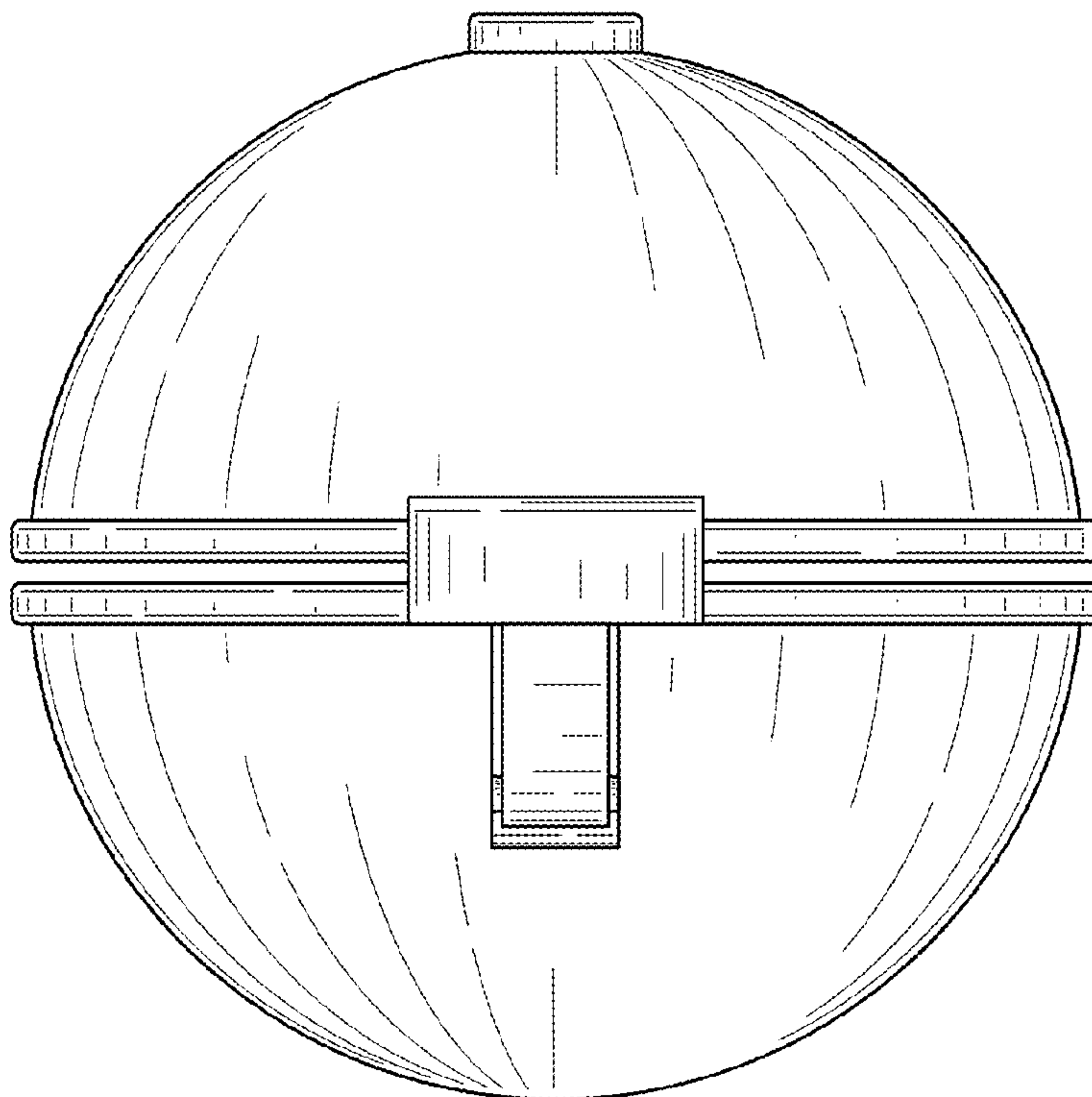


FIG. 2

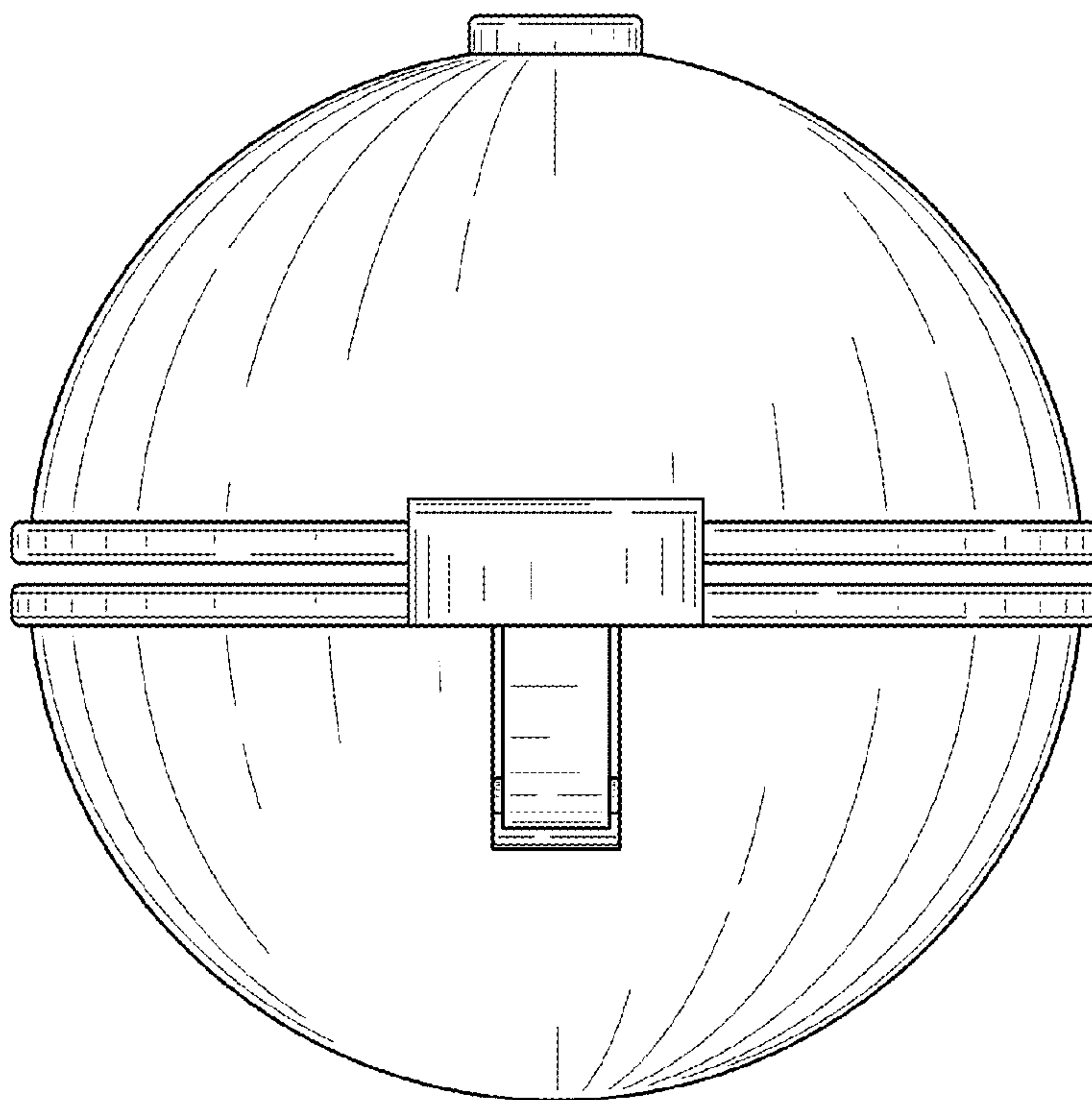


FIG. 3

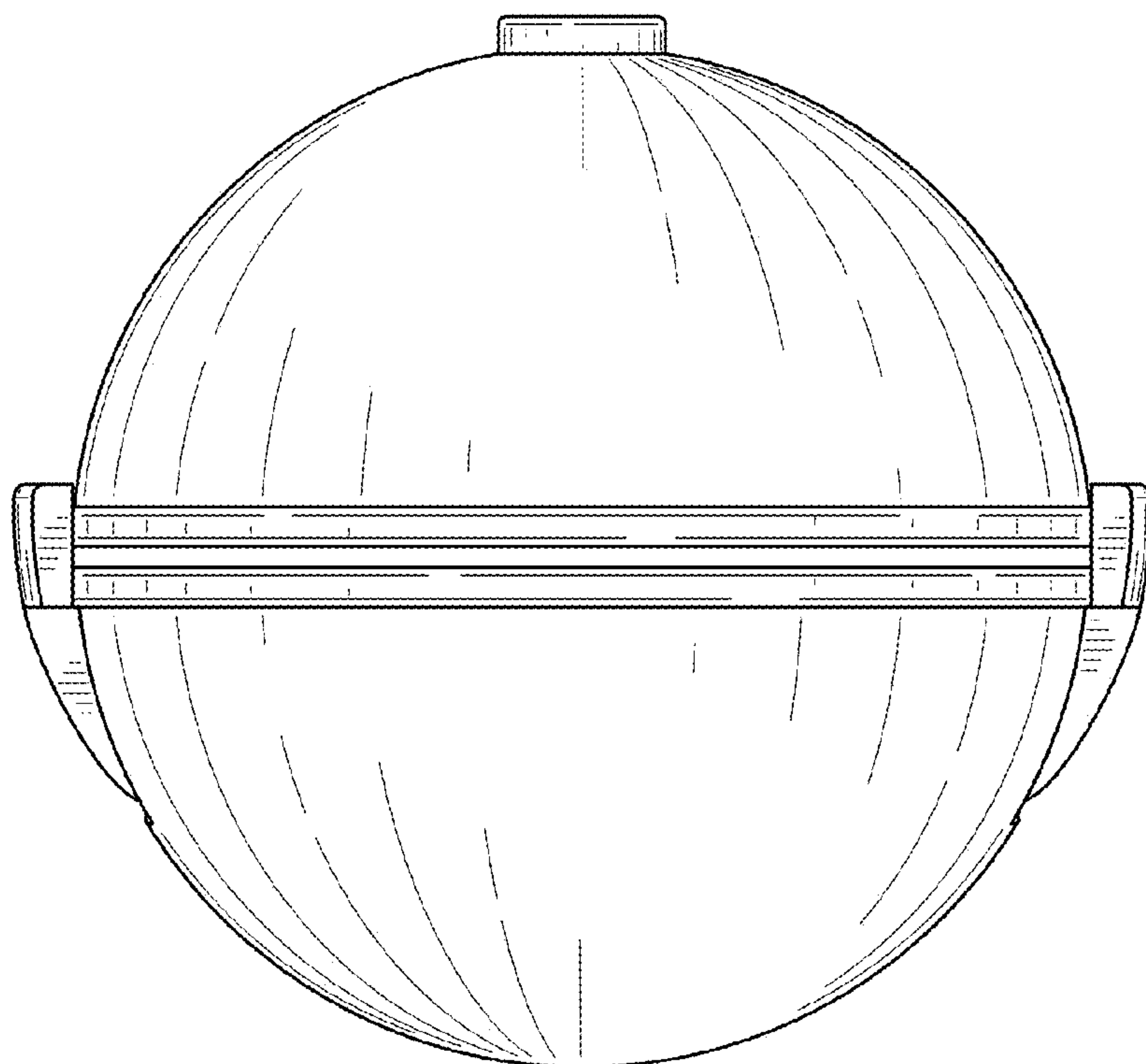


FIG. 4

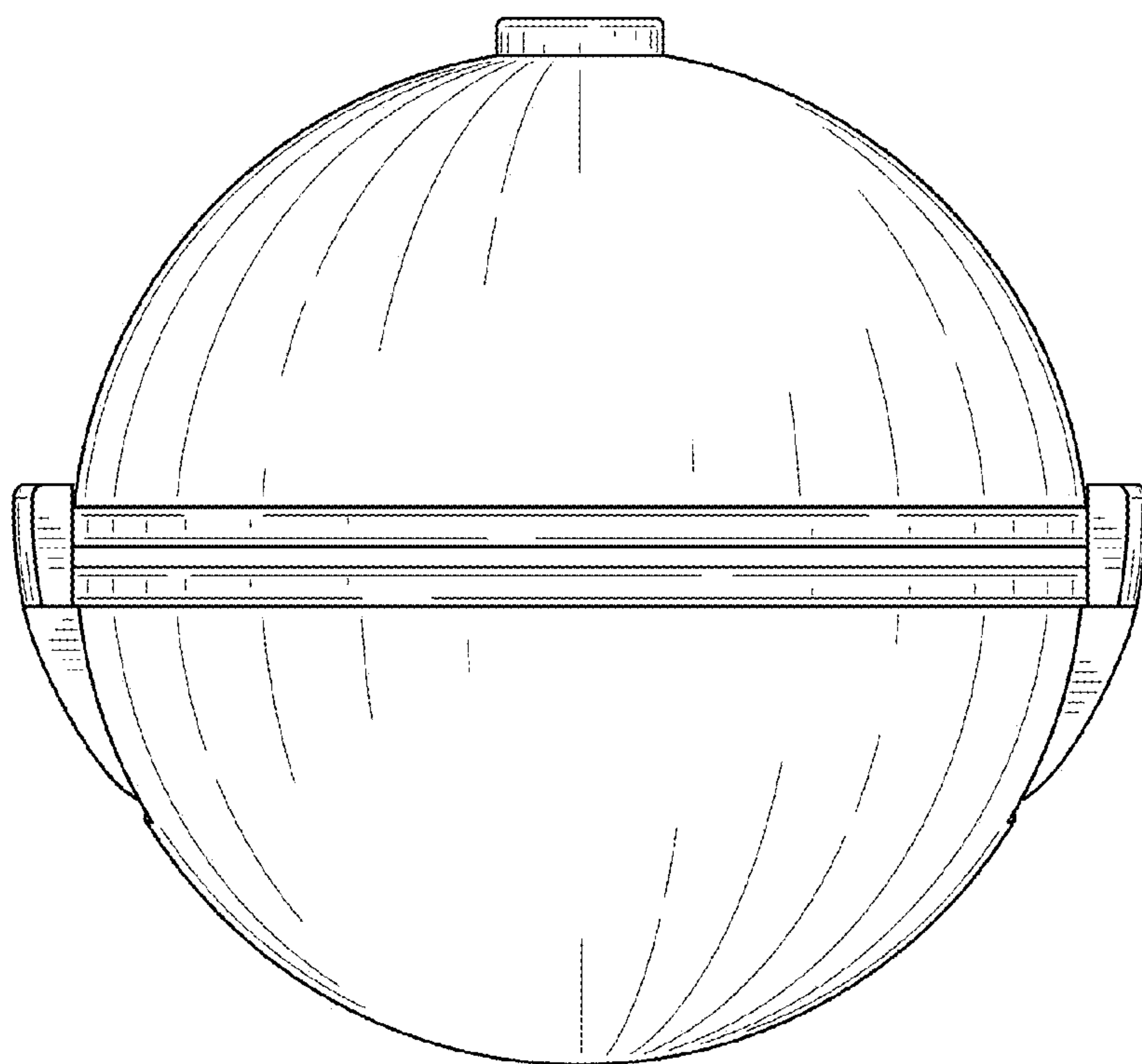


FIG. 5



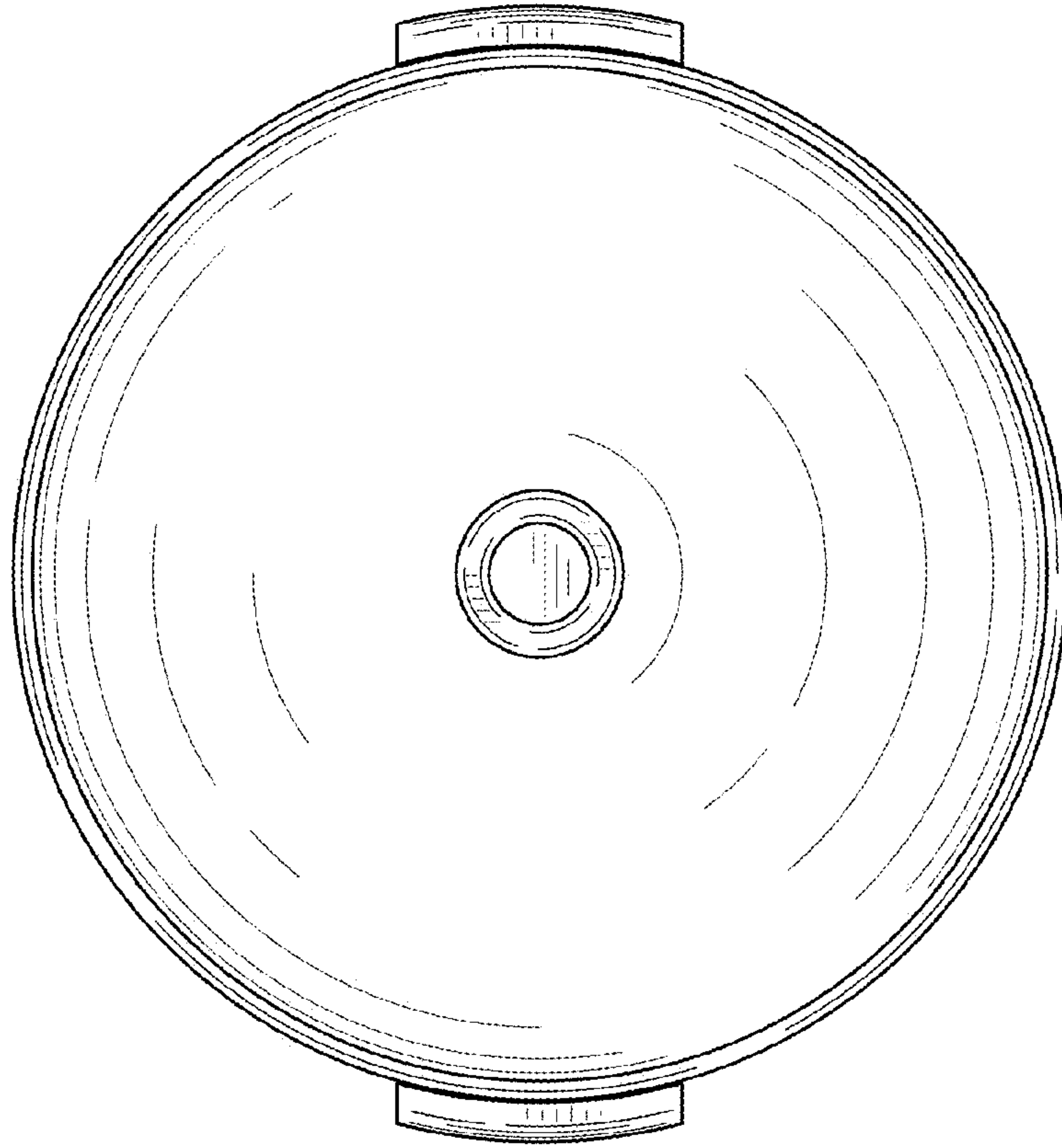


FIG. 6

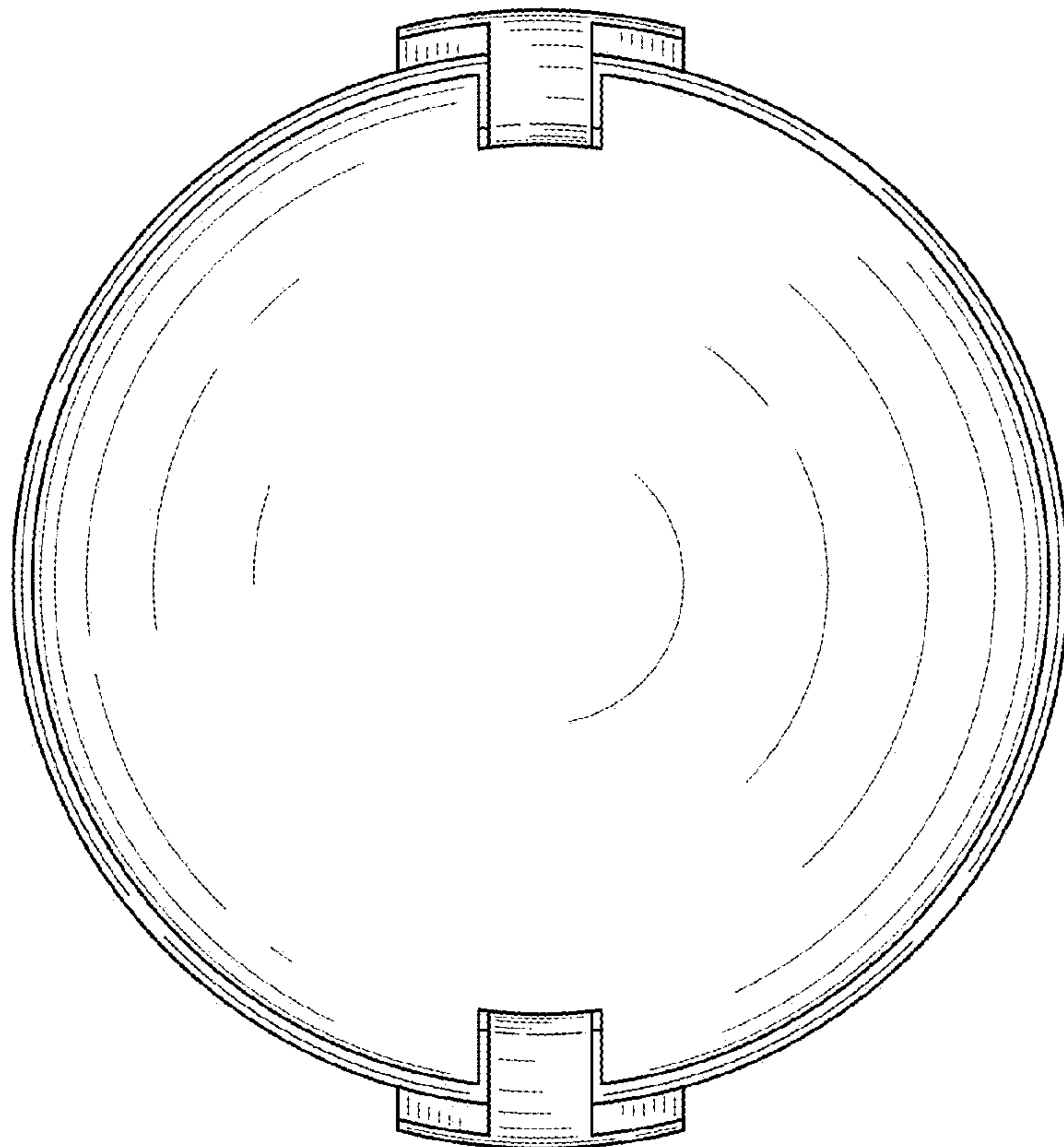


FIG. 7