



US00D738765S

(12) **United States Design Patent**
Webb

(10) **Patent No.:** **US D738,765 S**

(45) **Date of Patent:** **** Sep. 15, 2015**

(54) **VISUAL INSPECTION DEVICE**

(76) Inventor: **Charlie Webb**, Idyllwild, CA (US)

(**) Term: **14 Years**

(21) Appl. No.: **29/413,831**

(22) Filed: **Feb. 21, 2012**

(51) **LOC (10) Cl.** **10-05**

(52) **U.S. Cl.**
USPC **D10/104.1**

(58) **Field of Classification Search**
USPC D10/104.1; D14/356, 420, 421
See application file for complete search history.

(56) **References Cited**

U.S. PATENT DOCUMENTS

- D453,906 S * 2/2002 Hannig D10/104.1
- D459,670 S * 7/2002 Bergstrom D10/104.1
- D463,304 S * 9/2002 Berrios et al. D10/104.1

2007/0209957 A1* 9/2007 Glenn et al. 206/462

* cited by examiner

Primary Examiner — George D Kirschbaum

(74) *Attorney, Agent, or Firm* — Superior IP, PLLC; Dustin L. Call

(57) **CLAIM**

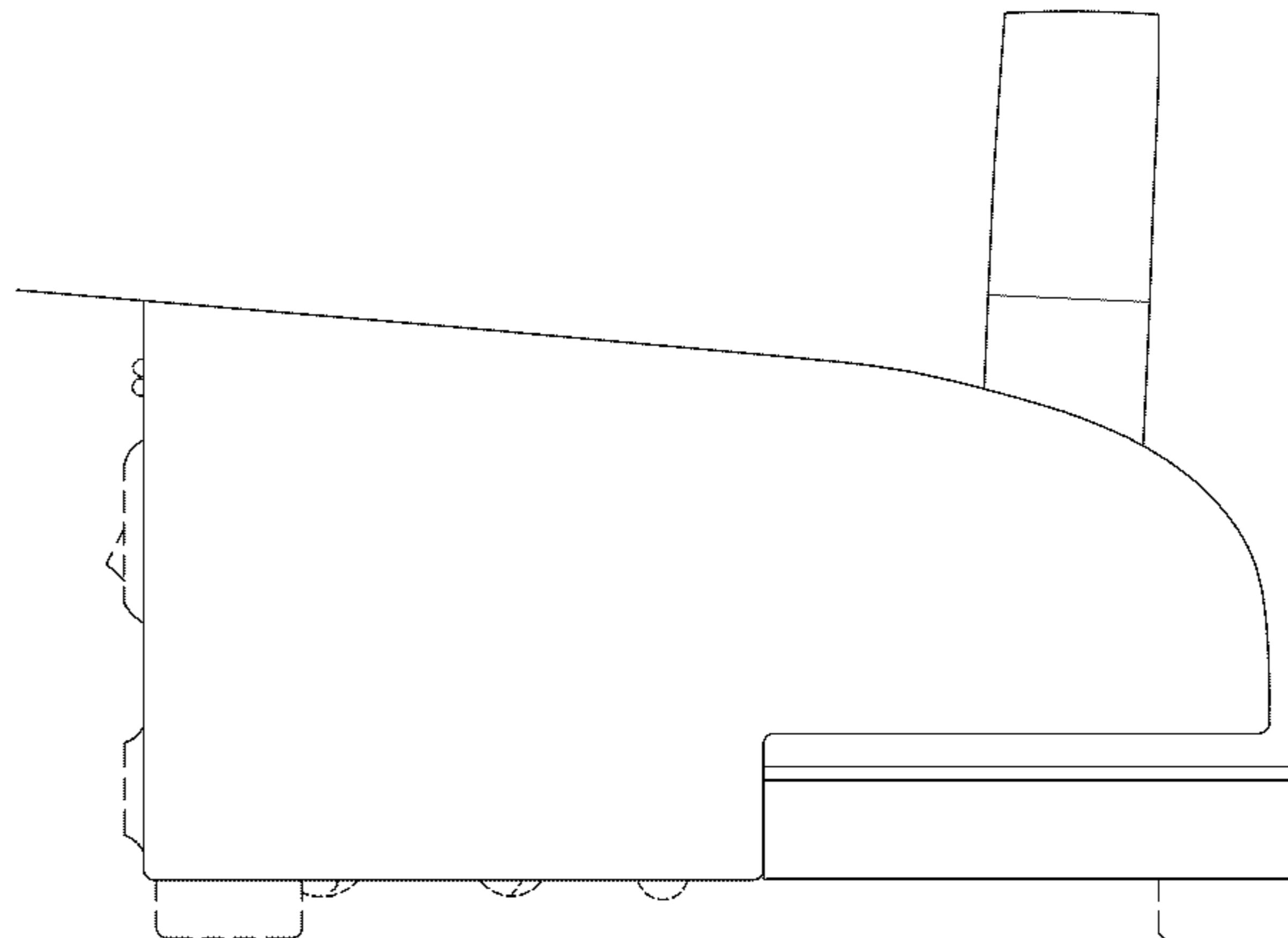
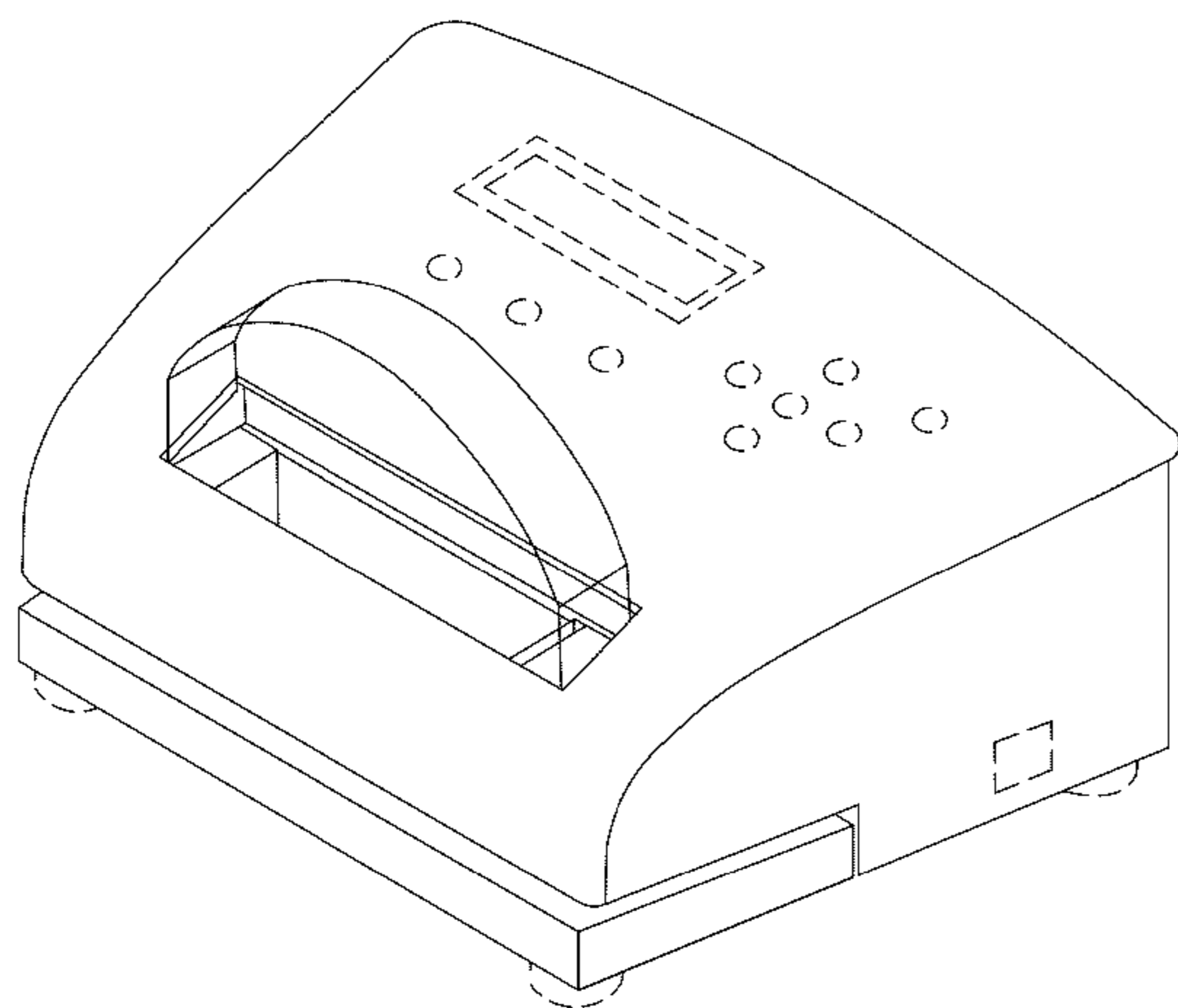
The visual inspection device, as shown and described in the Figures.

DESCRIPTION

FIG. 1 is a perspective view of the visual inspection device; FIG. 2 is a top view thereof; FIG. 3 is a front view thereof; FIG. 4 is a left side view thereof; FIG. 5 is a right side view thereof; FIG. 6 is a rear view thereof; and, FIG. 7 is a bottom view thereof.

The broken lines showing environment in the drawings are included for illustrative purposes only and form no part of the claimed design.

1 Claim, 7 Drawing Sheets



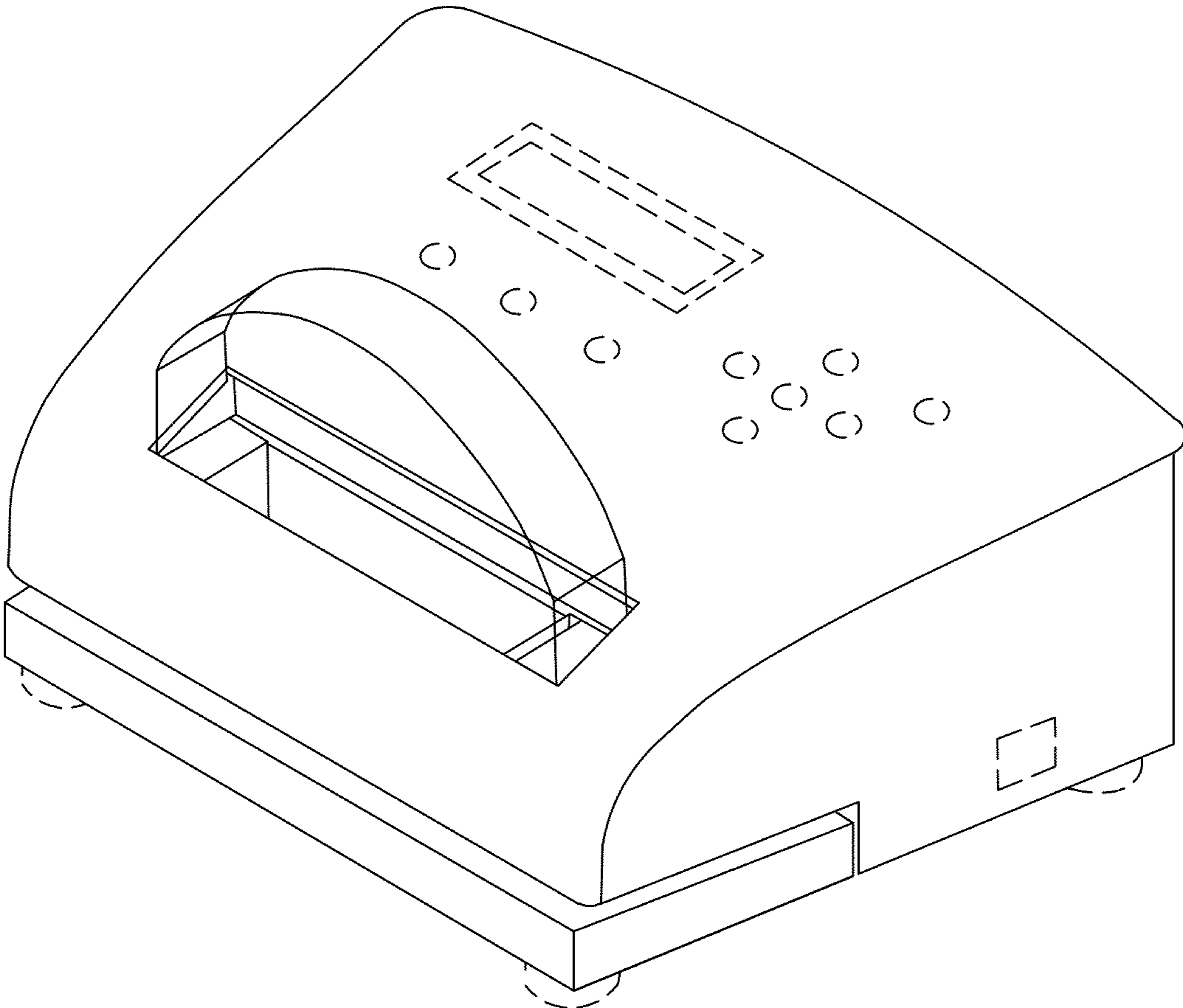


FIG. 1

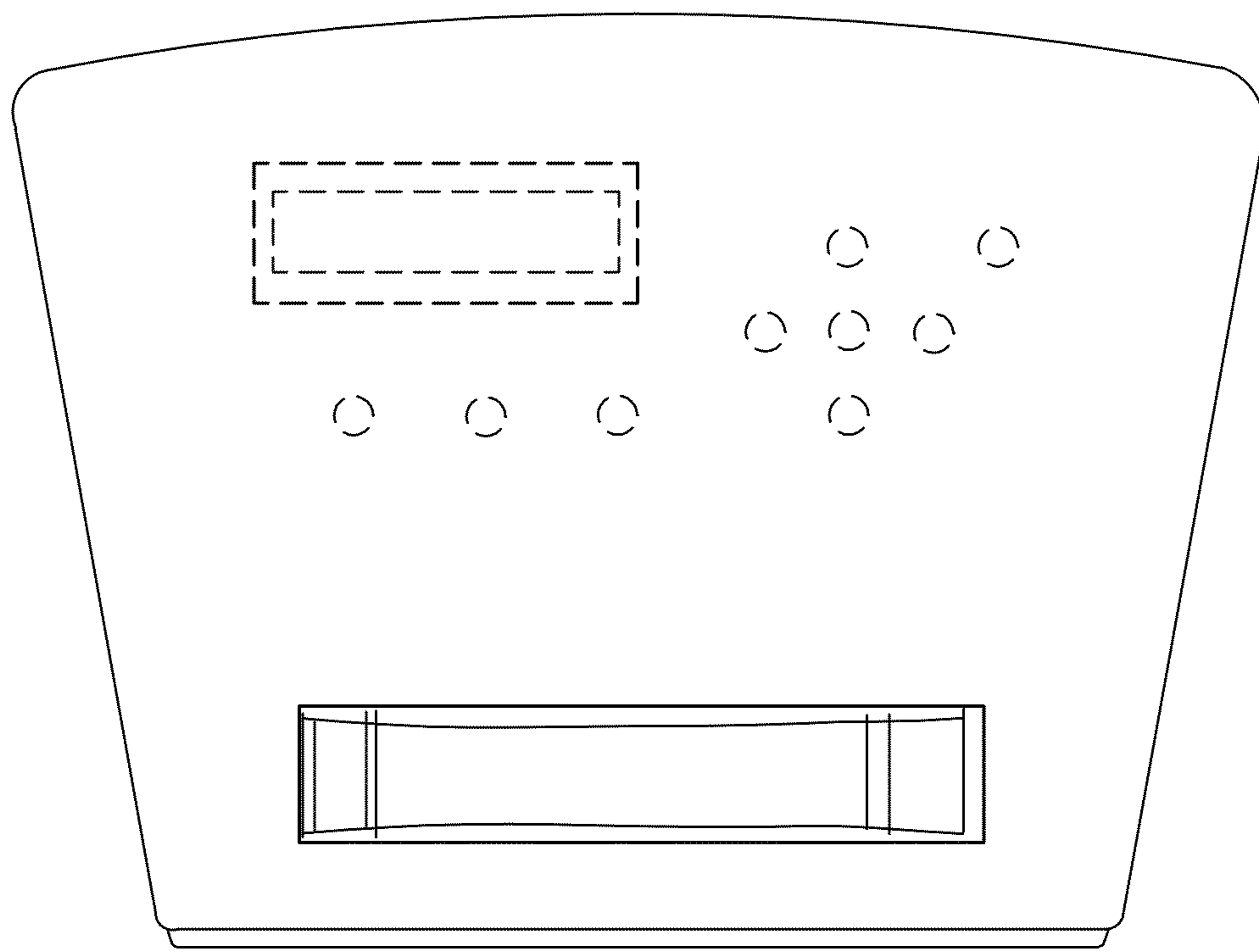


FIG. 2

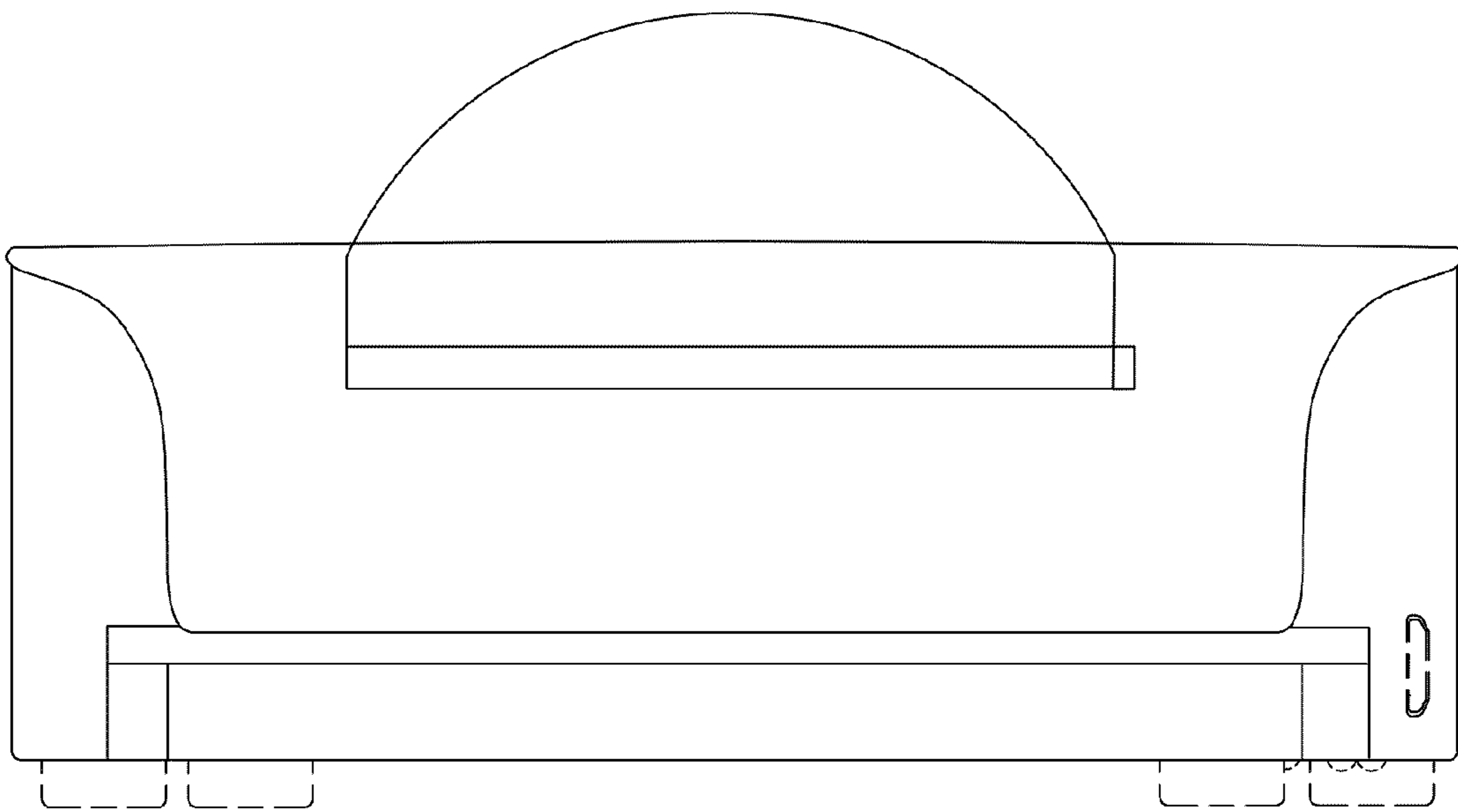


FIG. 3

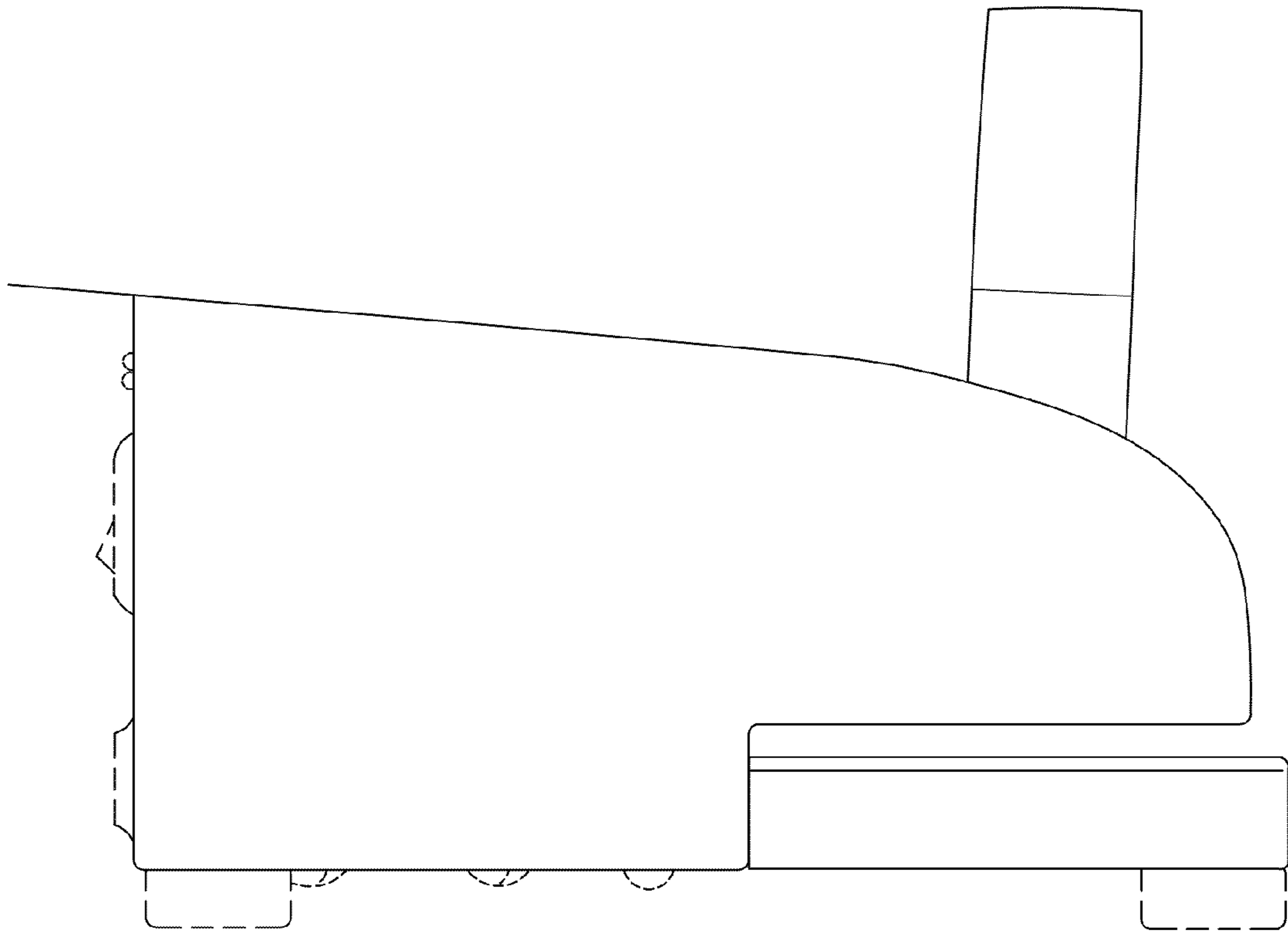


FIG. 4

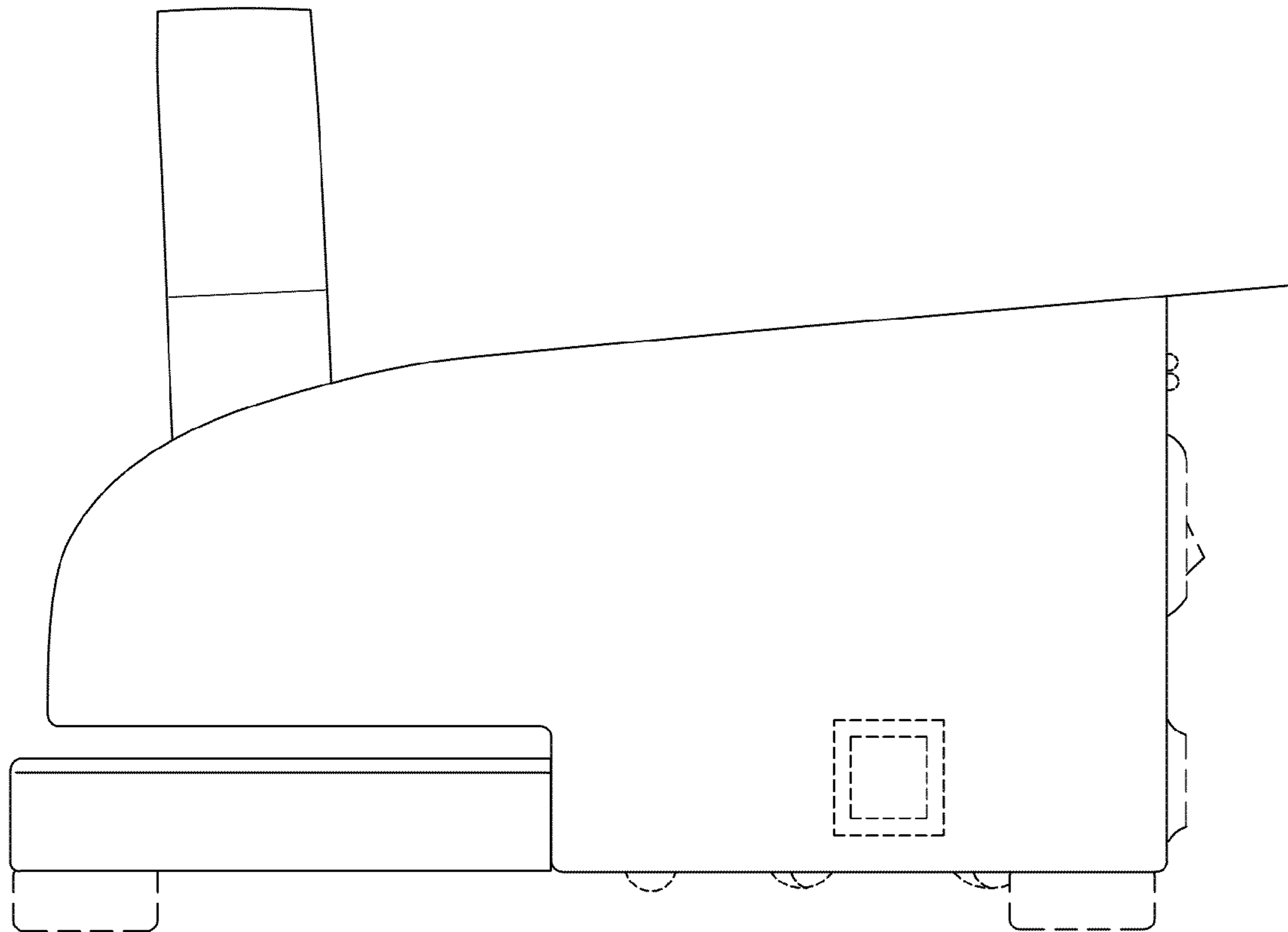


FIG. 5

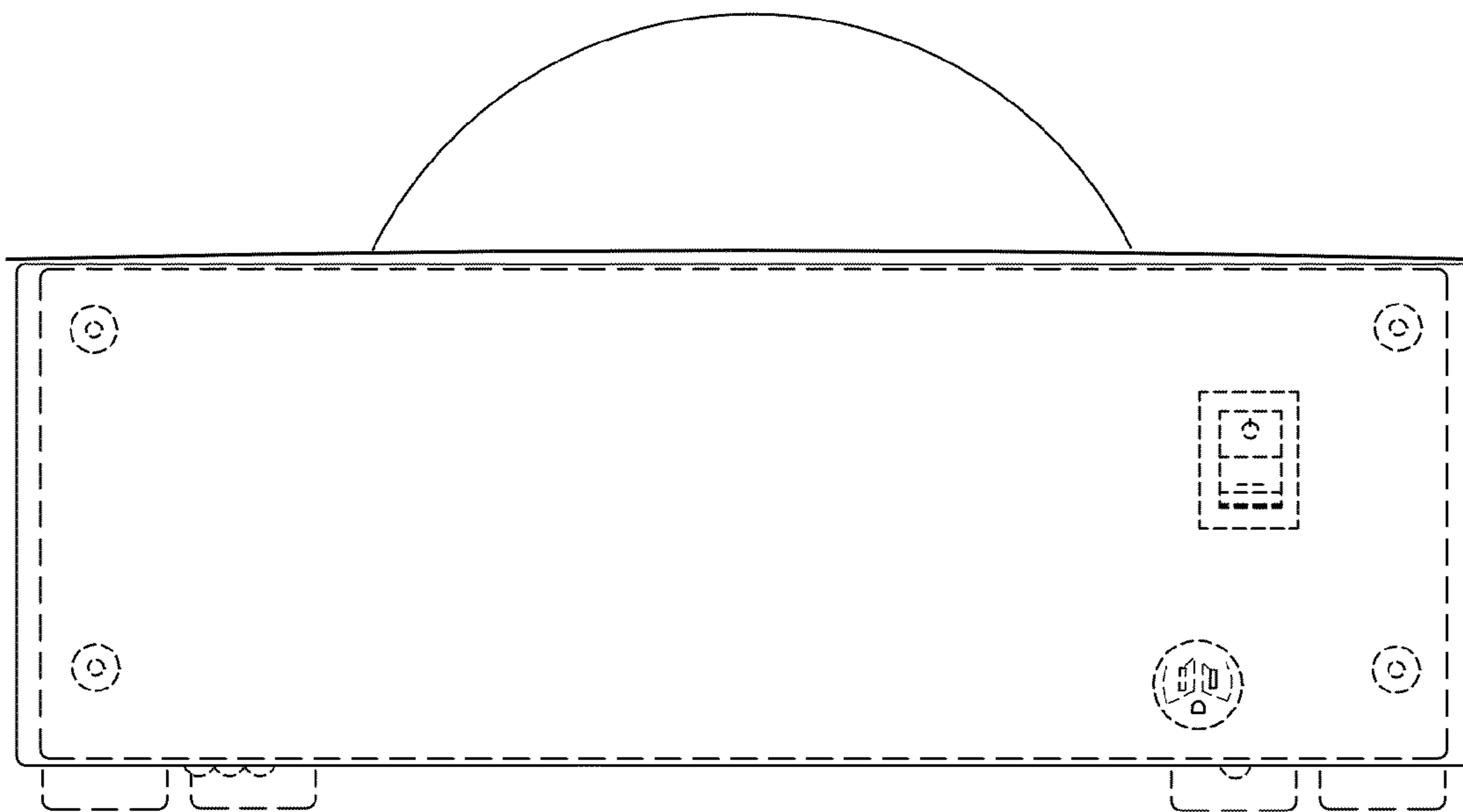


FIG. 6

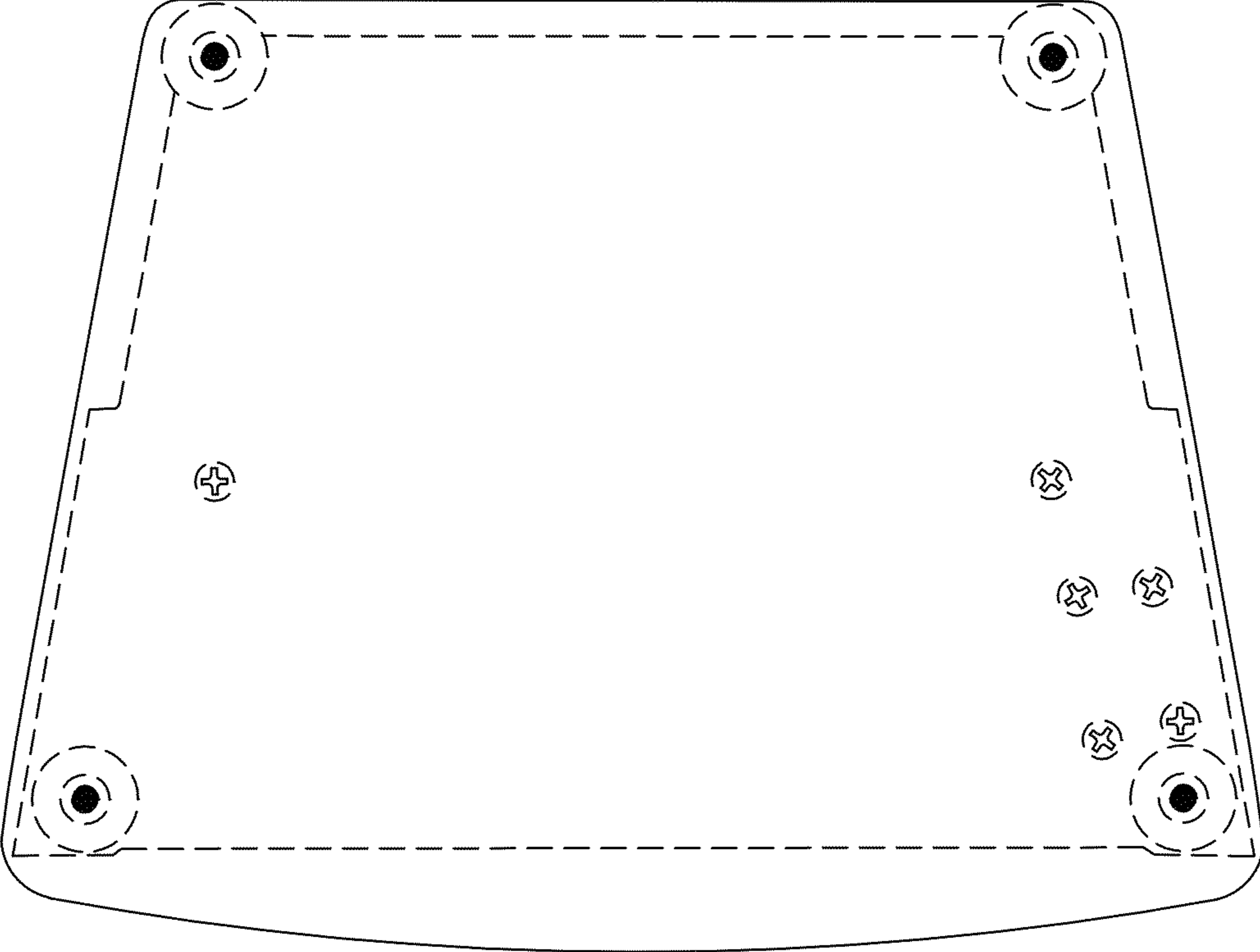


FIG. 7