



US00D738764S

(12) **United States Design Patent**
Kovacs et al.

(10) **Patent No.:** **US D738,764 S**
(45) **Date of Patent:** **** Sep. 15, 2015**

(54) **PHYSIOLOGICAL SCALE**

(71) Applicant: **PhysioWave, Inc.**, Santa Clara, CA (US)

(72) Inventors: **Gregory T. Kovacs**, Palo Alto, CA (US);
Laurent B. Giovangrandi, Palo Alto,
CA (US); **Richard M. Wiard**,
Campbell, CA (US)

(73) Assignee: **Physiowave, Inc.**, Santa Clara, CA (US)

(**) Term: **14 Years**

(21) Appl. No.: **29/496,971**

(22) Filed: **Jul. 18, 2014**

(51) **LOC (10) Cl.** **10-04**

(52) **U.S. Cl.**
USPC **D10/92**

(58) **Field of Classification Search**
USPC D10/87, 88, 91-94; 177/2-13, 15-24,
177/25.11-29, 177, 201-215, 225-237,
177/238-243, DIG. 3, 178-182
CPC A61B 5/053; A61B 5/4872; A61B 5/0537;
A61B 5/4869; A61B 5/6825; A61B 5/6829;
A61B 5/7445; G08B 21/04; G08B 21/0469;
G01G 23/16; G01G 23/3728; G01G 19/50;
G01G 19/4146; G01G 19/44

See application file for complete search history.

(56) **References Cited**

U.S. PATENT DOCUMENTS

D718,162 S * 11/2014 Kobayakawa D10/92

* cited by examiner

Primary Examiner — Antoine D Davis

(74) *Attorney, Agent, or Firm* — Crawford Maunu PLLC

(57) **CLAIM**

The ornamental design for physiological scale, as shown and described.

DESCRIPTION

FIG. 1 is a perspective view of the physiological scale, with the top and two sides shown, according to an embodiment of the present design;

FIG. 2 is a perspective view of the physiological scale, with the bottom and two sides shown, according to an embodiment of the present design;

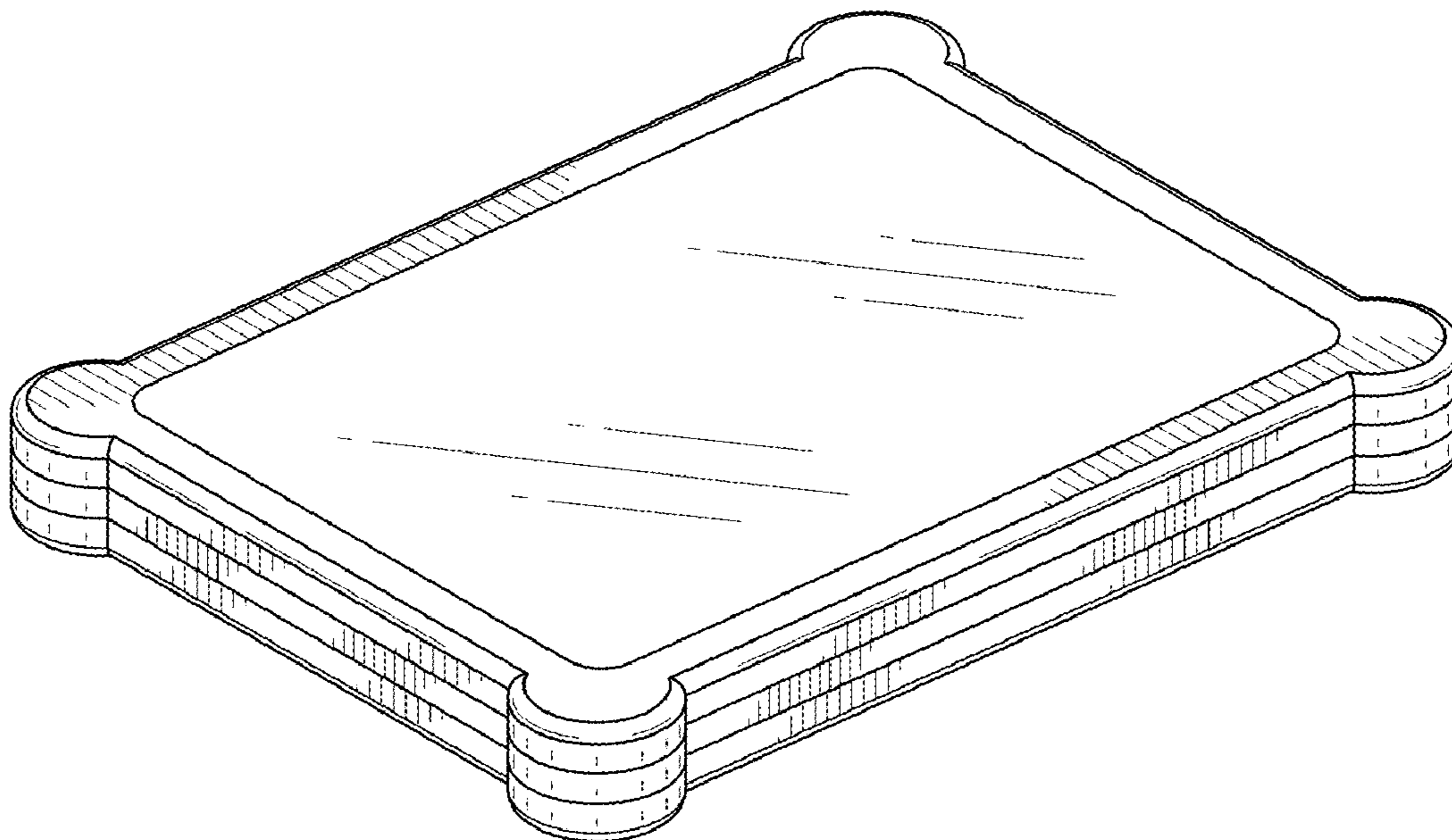
FIG. 3 is a top view of the physiological scale, according to an embodiment of the present design;

FIG. 4 is a bottom view of the physiological scale, according to an embodiment of the present design;

FIG. 5 is a side view of the physiological scale, which is identical to the other side which is parallel thereto, and according an embodiment of the present design; and,

FIG. 6 is a side view of the longer side of the physiological scale, which is identical to the other side which is parallel thereto, and according an embodiment of the present design.

1 Claim, 3 Drawing Sheets



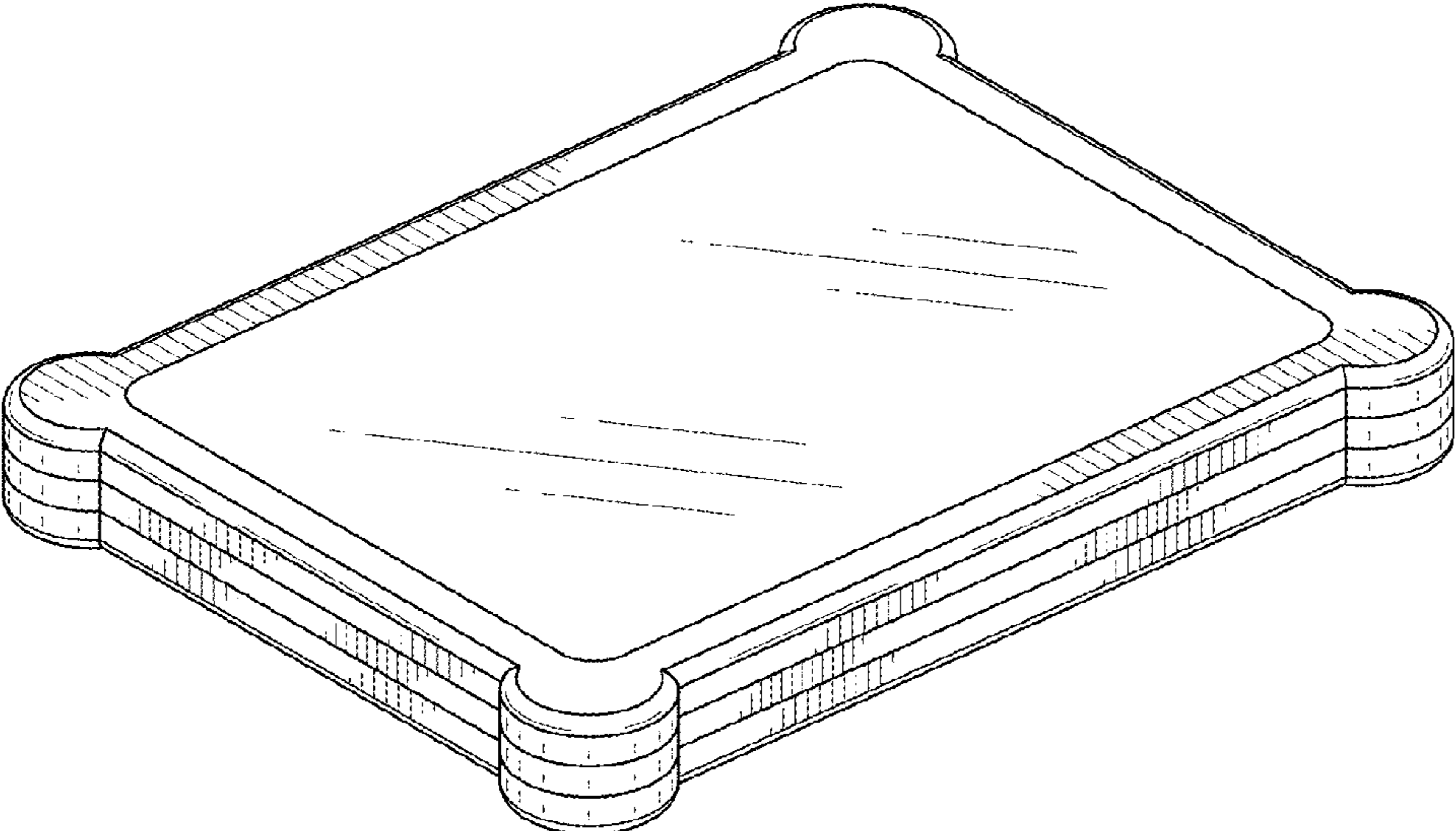


FIG. 1

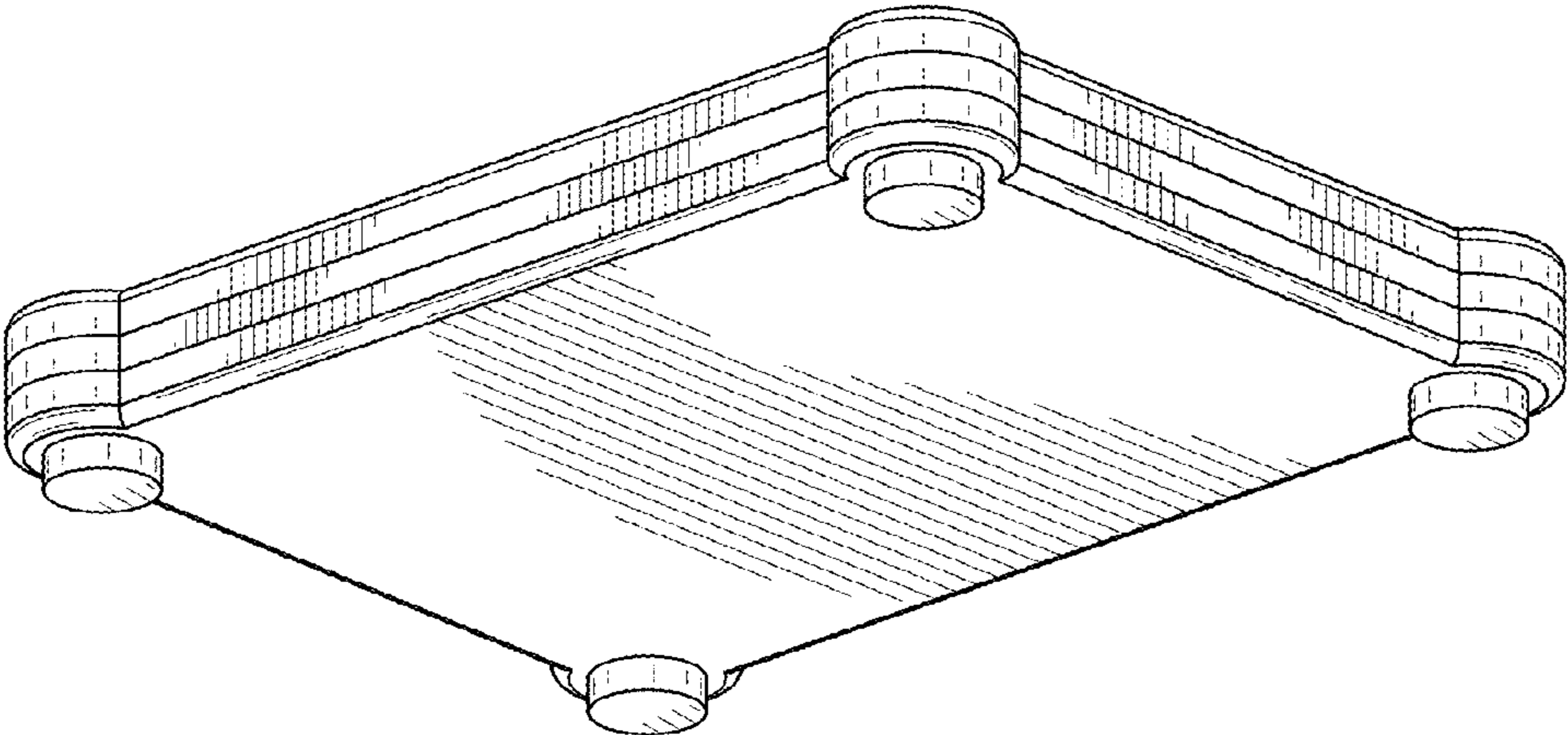


FIG. 2

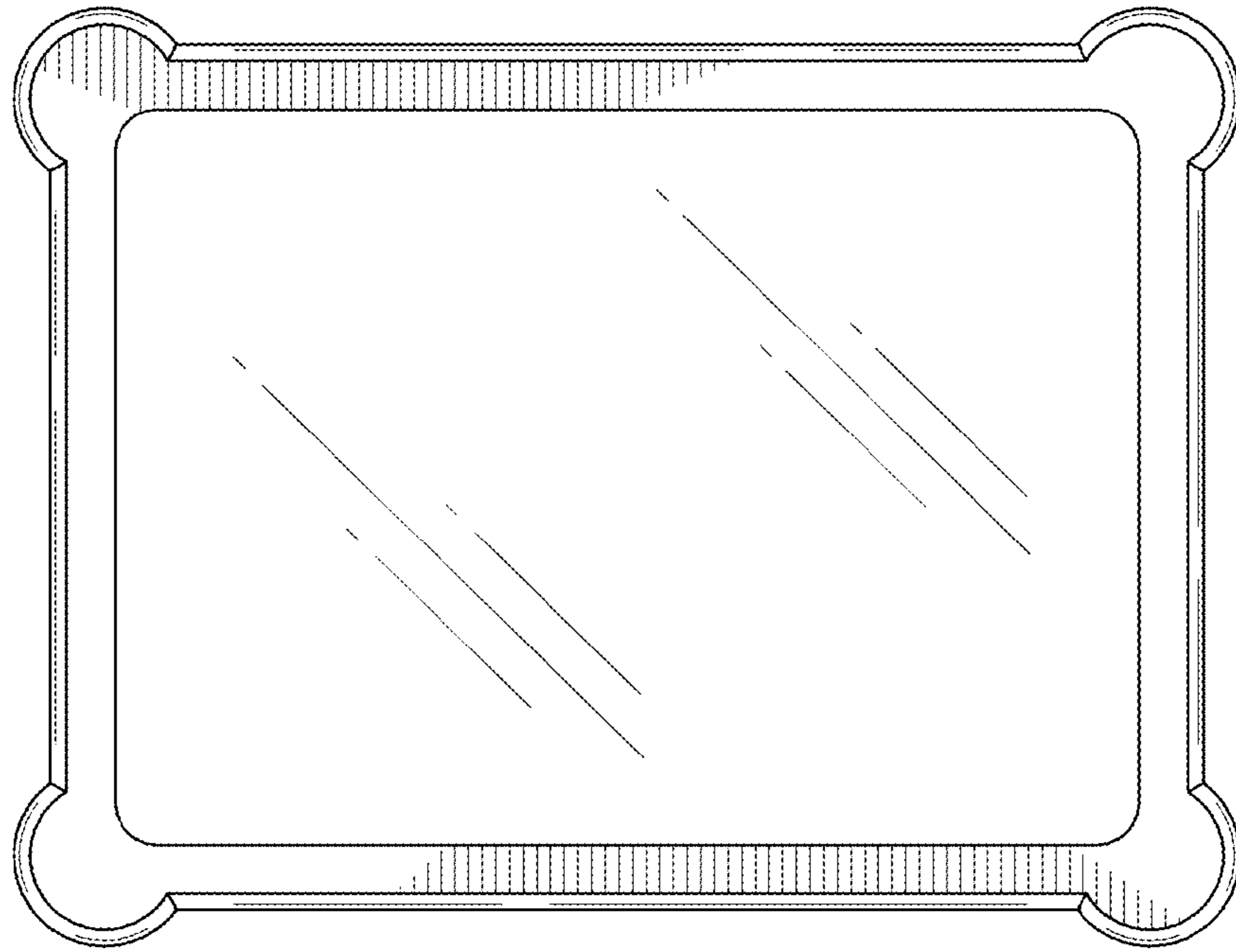


FIG. 3

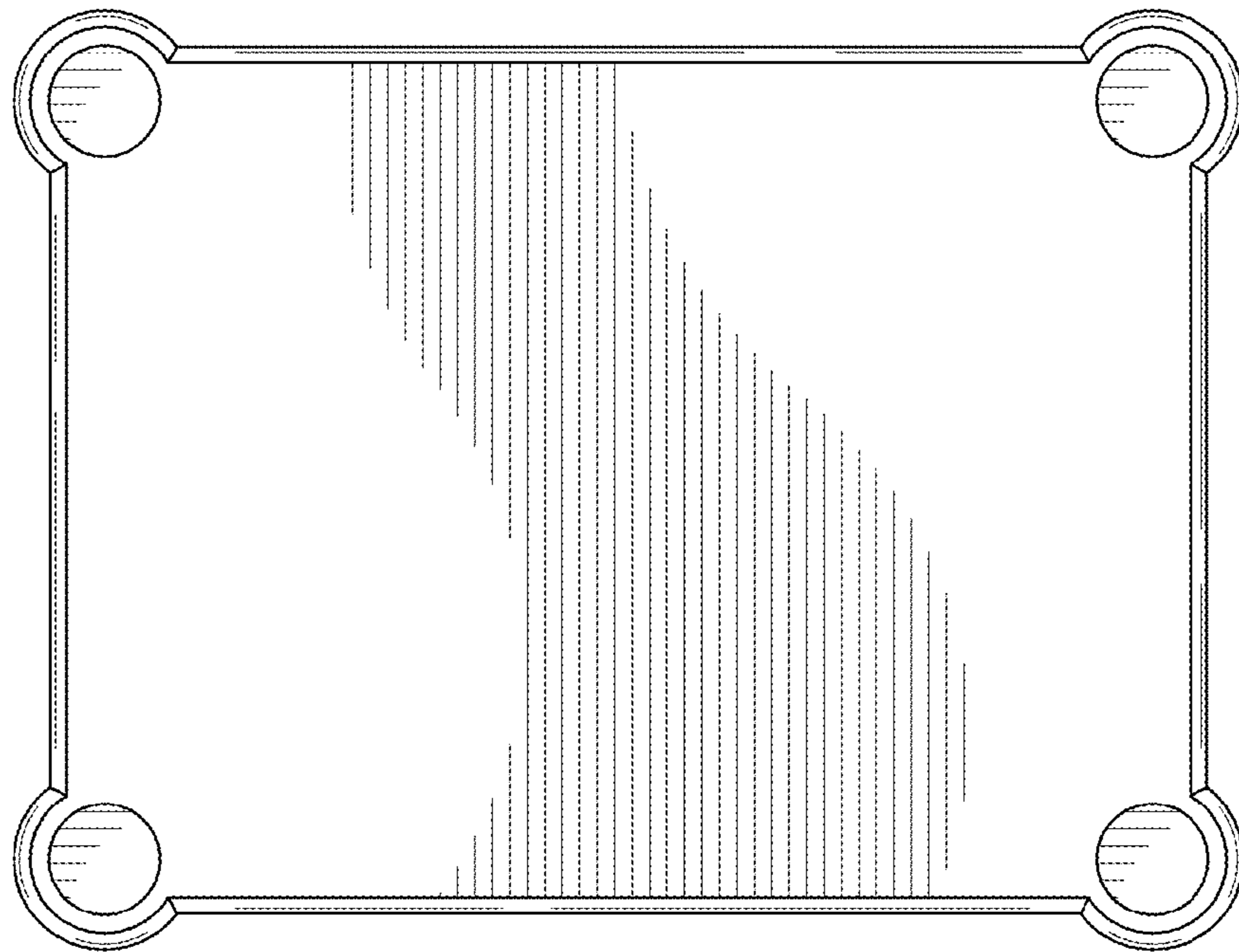


FIG. 4

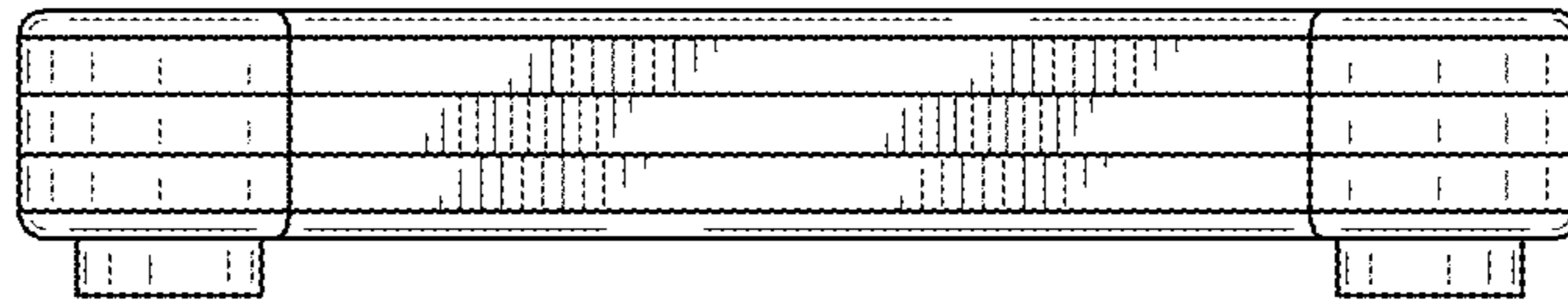


FIG. 5

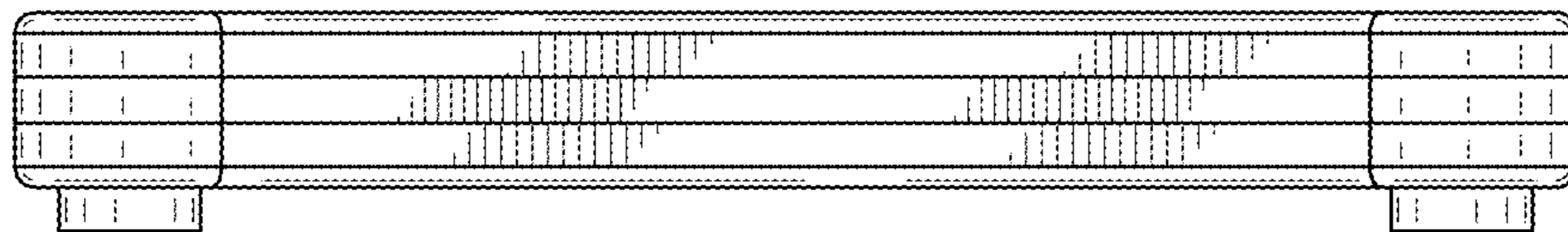


FIG. 6