



US00D738760S

(12) **United States Design Patent**
Lenk

(10) **Patent No.:** **US D738,760 S**

(45) **Date of Patent:** **** Sep. 15, 2015**

(54) **MOUNTING DEVICE FOR PIVOTABLY MOUNTING A FILL LEVEL RADAR TO A CONTAINER**

(71) Applicant: **VEGA Grieshaber KG**, Wolfach (DE)

(72) Inventor: **Fritz Lenk**, Schiltach (DE)

(73) Assignee: **VEGA Grieshaber KG**, Wolfach (DE)

(**) Term: **14 Years**

(21) Appl. No.: **29/487,542**

(22) Filed: **Apr. 9, 2014**

(30) **Foreign Application Priority Data**

Nov. 5, 2013 (EM) 002338913

(51) **LOC (10) Cl.** **10-04**

(52) **U.S. Cl.**
USPC **D10/74**

(58) **Field of Classification Search**
USPC D8/387; D10/74, 103
CPC . G01L 19/14–19/16; G01L 19/0007–19/0046;
G01F 23/00–23/76

See application file for complete search history.

(56) **References Cited**

U.S. PATENT DOCUMENTS

D243,510 S *	3/1977	Shirey et al.	D23/316
4,850,213 A *	7/1989	Steinebrunner et al.	73/290 V
5,079,950 A *	1/1992	McKiernan et al.	73/313
5,440,455 A *	8/1995	Rottmar	361/809
5,573,423 A *	11/1996	Lin et al.	439/462
D399,444 S *	10/1998	Ross, Jr.	D10/103
D403,606 S *	1/1999	Paton, Jr.	D10/103
5,955,677 A *	9/1999	Holliday	73/756
6,097,547 A *	8/2000	Ogata et al.	359/673

* cited by examiner

Primary Examiner — Antoine D Davis

(74) *Attorney, Agent, or Firm* — Fay Kaplun & Marcin, LLP

(57) **CLAIM**

The ornamental design for a mounting device for pivotably mounting a fill level radar to a container, as shown and described.

DESCRIPTION

FIG. 1 is a first view of an ornamental design of an exemplary embodiment of a mounting device for pivotably mounting a fill level radar to a container showing our new design;

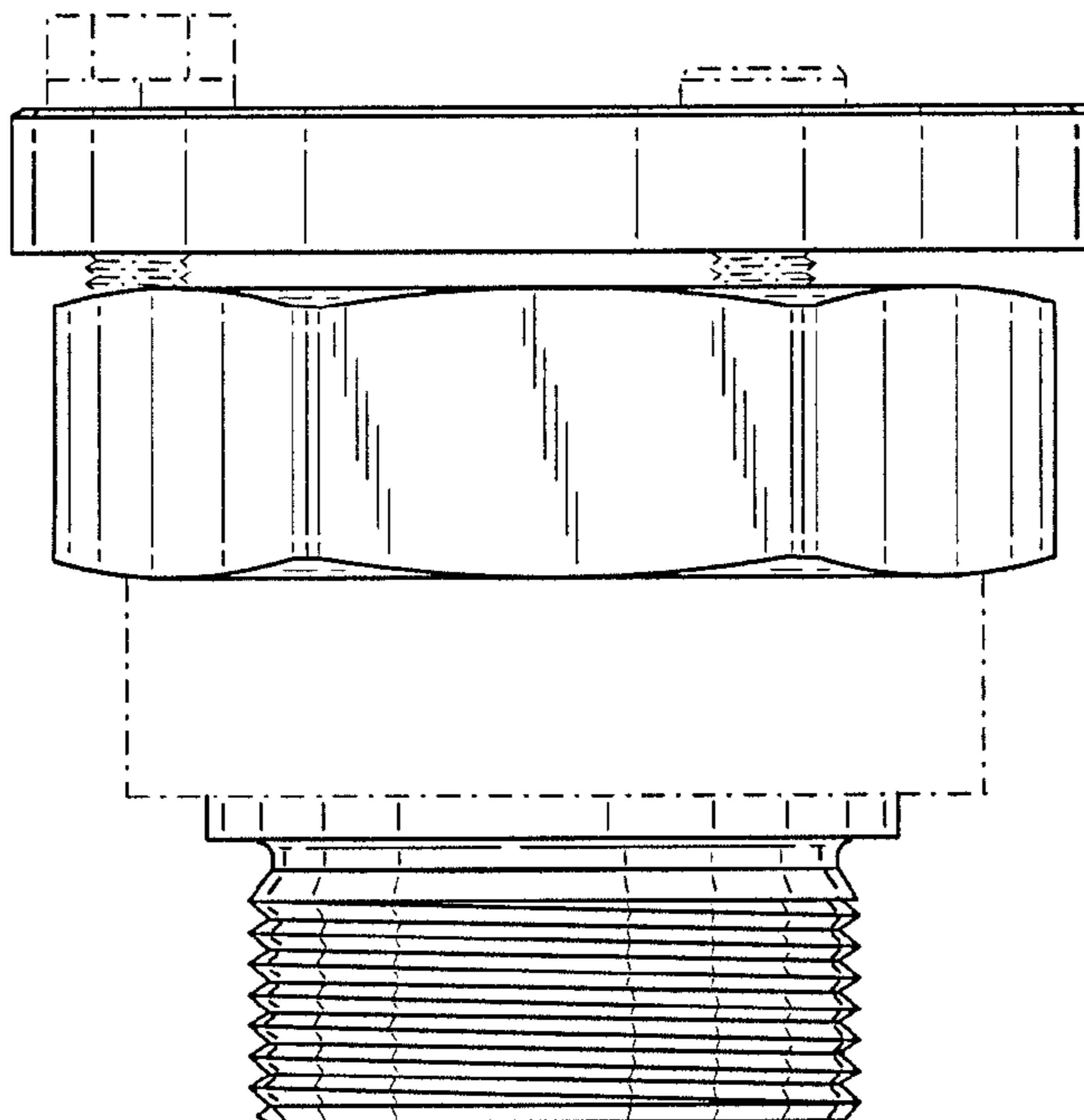
FIG. 2 is a second view thereof;

FIG. 3 is a third view thereof; and,

FIG. 4 is a fourth perspective view thereof.

The broken lines shown in FIGS. 1-4 are included for illustrative purposes only and form no part of the claimed design.

1 Claim, 3 Drawing Sheets



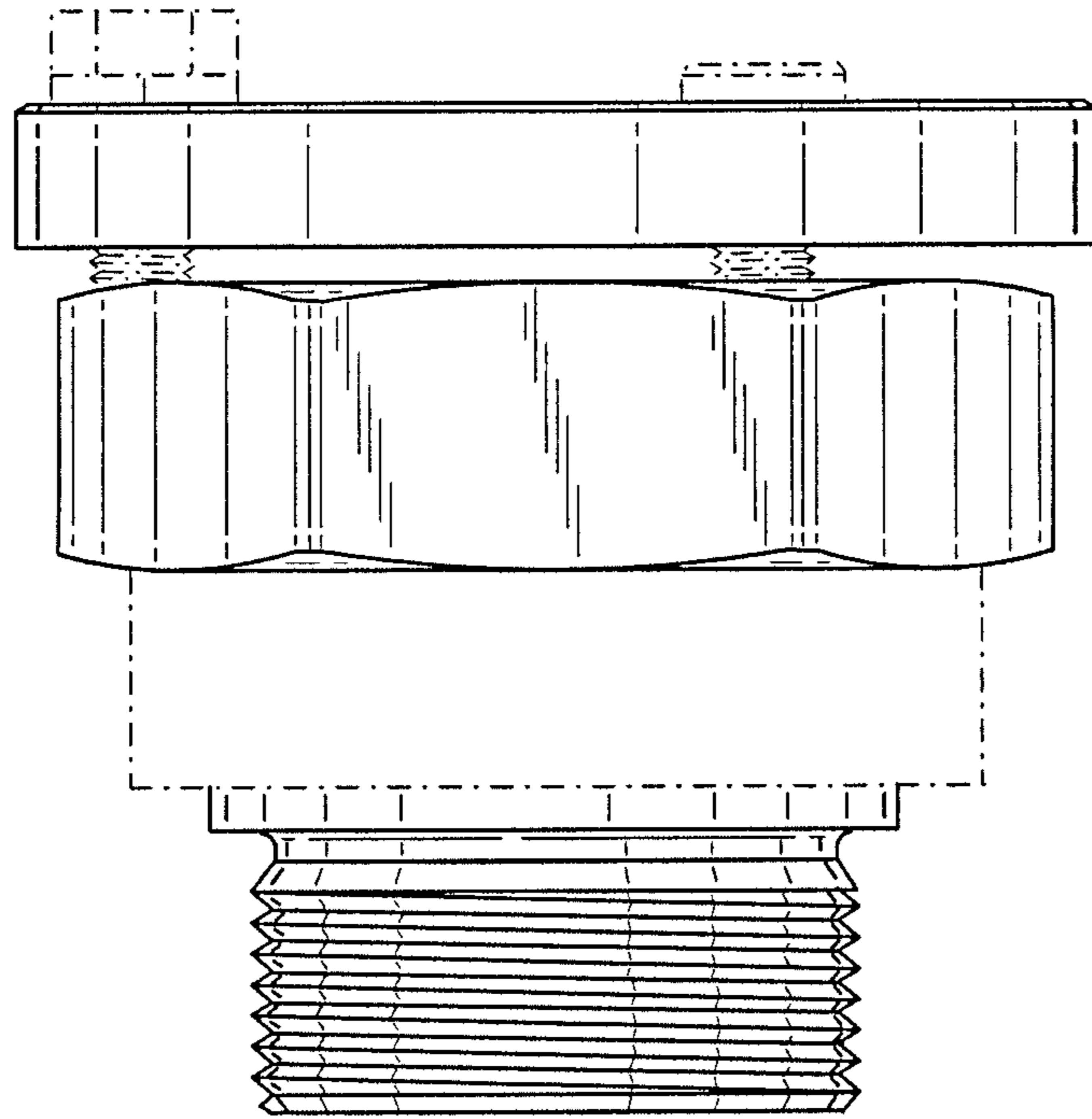


FIG. 1

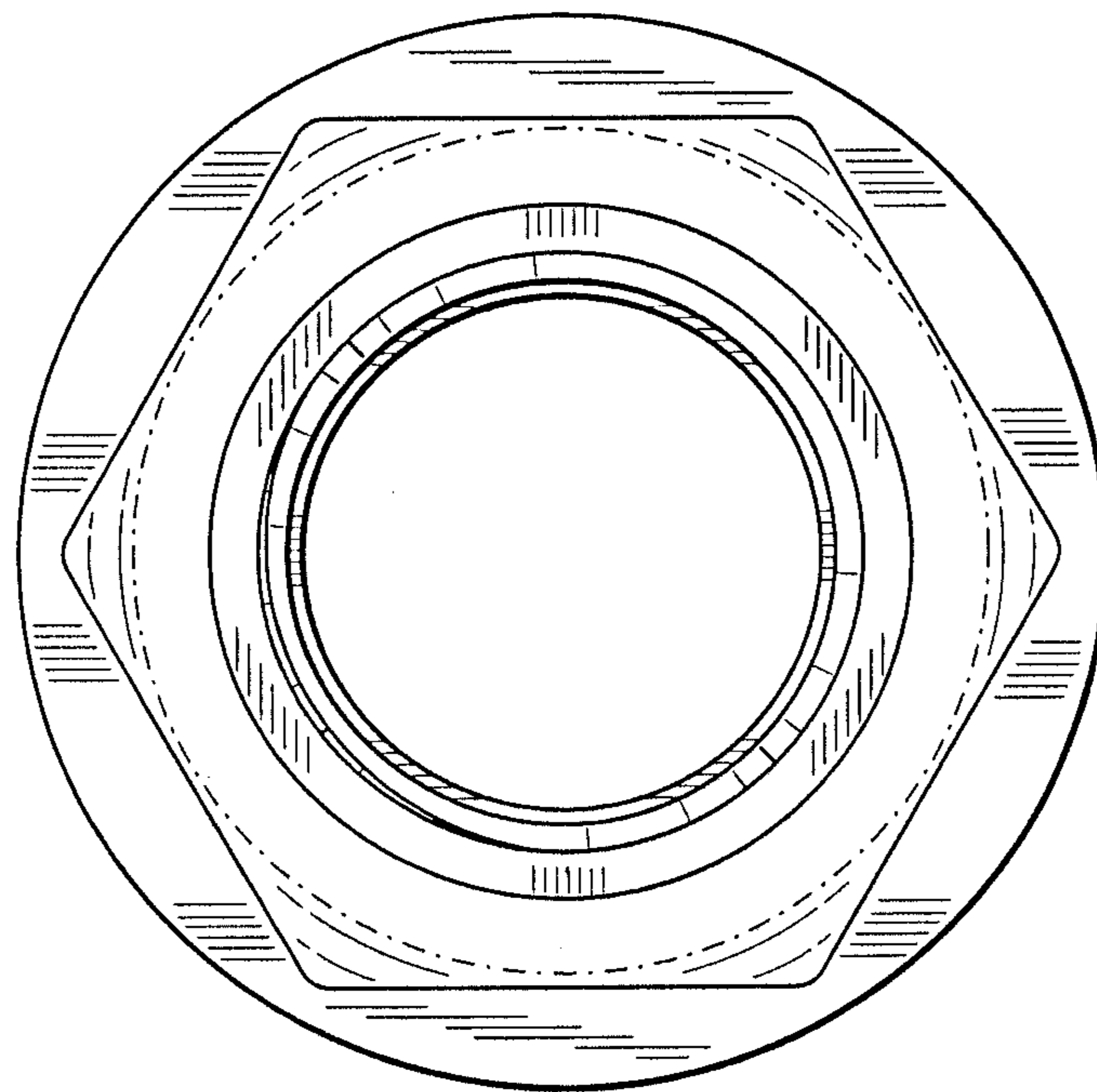


FIG. 2

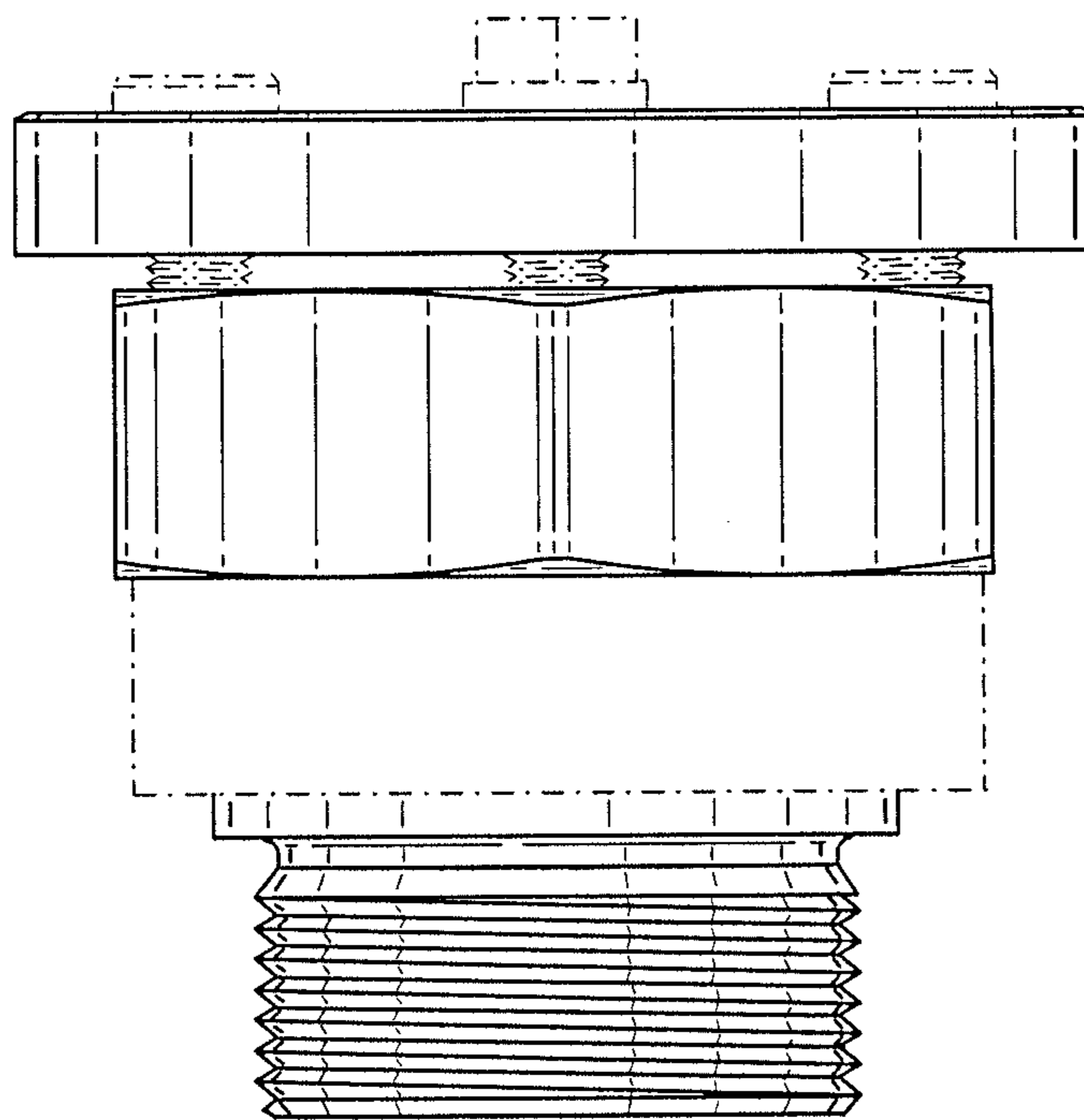


FIG. 3

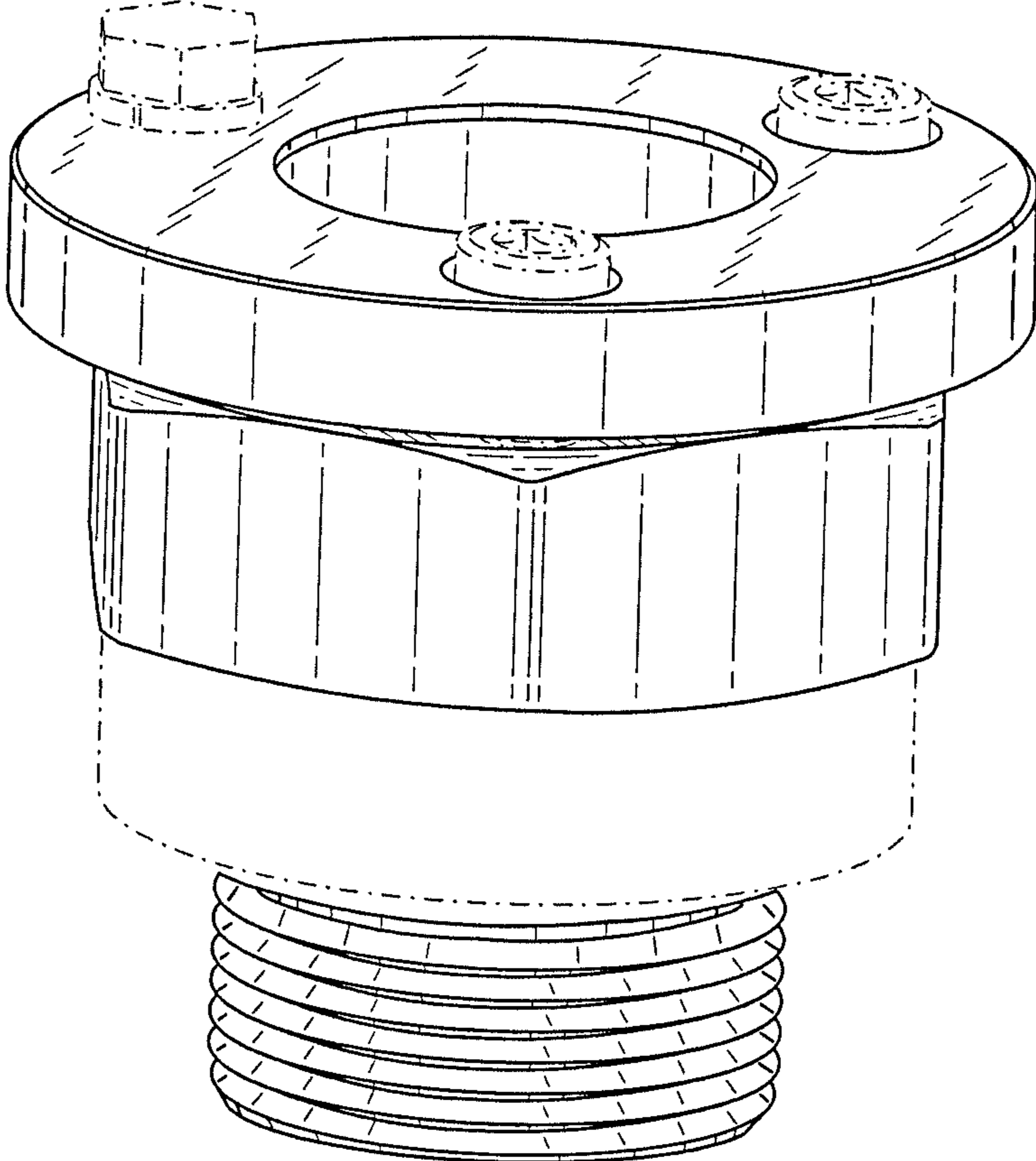


FIG. 4