



US00D738758S

(12) **United States Design Patent**
DeLoach et al.

(10) **Patent No.:** **US D738,758 S**

(45) **Date of Patent:** **** Sep. 15, 2015**

(54) **TEMPERATURE MONITORING DEVICE**

(56) **References Cited**

(71) Applicant: **VaxCare Corporation**, Orlando, FL
(US)

U.S. PATENT DOCUMENTS

(72) Inventors: **Casey DeLoach**, Orlando, FL (US);
James Bower, Windermere, FL (US);
Niclas Henning Zieger, Pasadena, CA
(US)

D400,806 S *	11/1998	Tillack	D10/57
D418,069 S *	12/1999	Chung et al.	D10/57
D477,784 S *	7/2003	Wang et al.	D10/57
7,108,194 B1 *	9/2006	Hankins, II	236/51
D550,103 S *	9/2007	Laituri et al.	D10/57

* cited by examiner

(73) Assignee: **VaxCare Corporation**, Orlando, FL
(US)

Primary Examiner — Antoine D Davis

(74) *Attorney, Agent, or Firm* — Kilpatrick Townsend &
Stockton LLP

(**) Term: **14 Years**

(57) **CLAIM**

We claim the ornamental design for a temperature monitoring device, substantially as shown and described.

(21) Appl. No.: **29/518,750**

DESCRIPTION

(22) Filed: **Feb. 26, 2015**

(51) **LOC (10) Cl.** **10-04**

(52) **U.S. Cl.**
USPC **D10/57**

(58) **Field of Classification Search**
USPC D10/57-58, 60, 103; 374/120-152,
374/170-171, 208
CPC G01J 5/00-2005/626; G01K 1/00-1/26;
G01K 3/00-2003/145; G01K 5/00-5/72;
G01K 7/00-7/427; G01K 9/00; G01K
11/00-2011/324; G01K 13/00-13/125; G01K
15/00-15/007

FIG. 1 is a perspective view of the temperature monitoring device;

FIG. 2 is a front view of the temperature monitoring device;
FIG. 3 is a left side view of the temperature monitoring device;

FIG. 4 is a right side view of the temperature monitoring device;

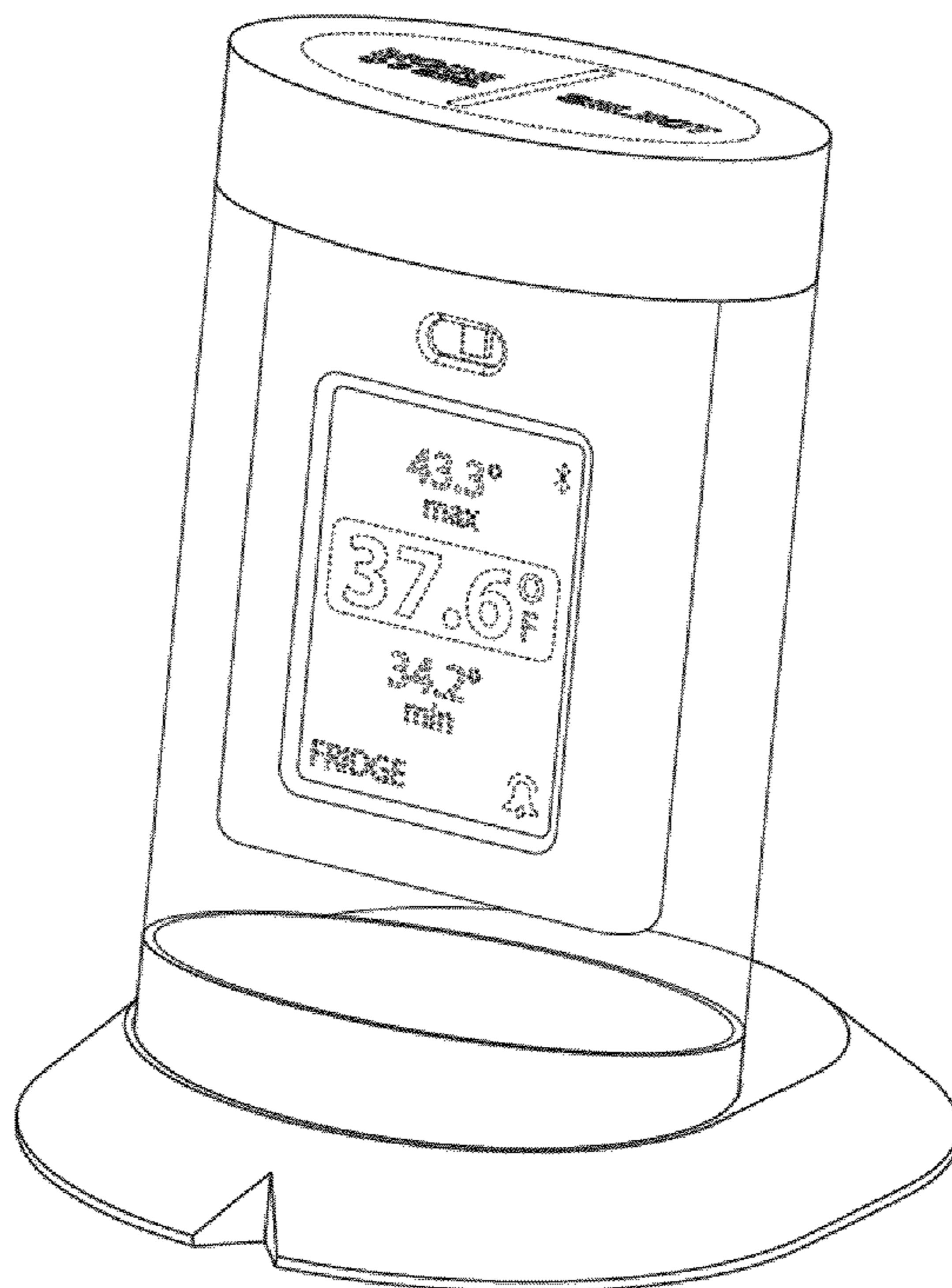
FIG. 5 is a rear view of the temperature monitoring device;

FIG. 6 is a top view of the temperature monitoring device;
and,

FIG. 7 is a bottom view of the temperature monitoring device.
The broken lines are for illustrative purposes only, and form no part of the claimed design.

See application file for complete search history.

1 Claim, 7 Drawing Sheets



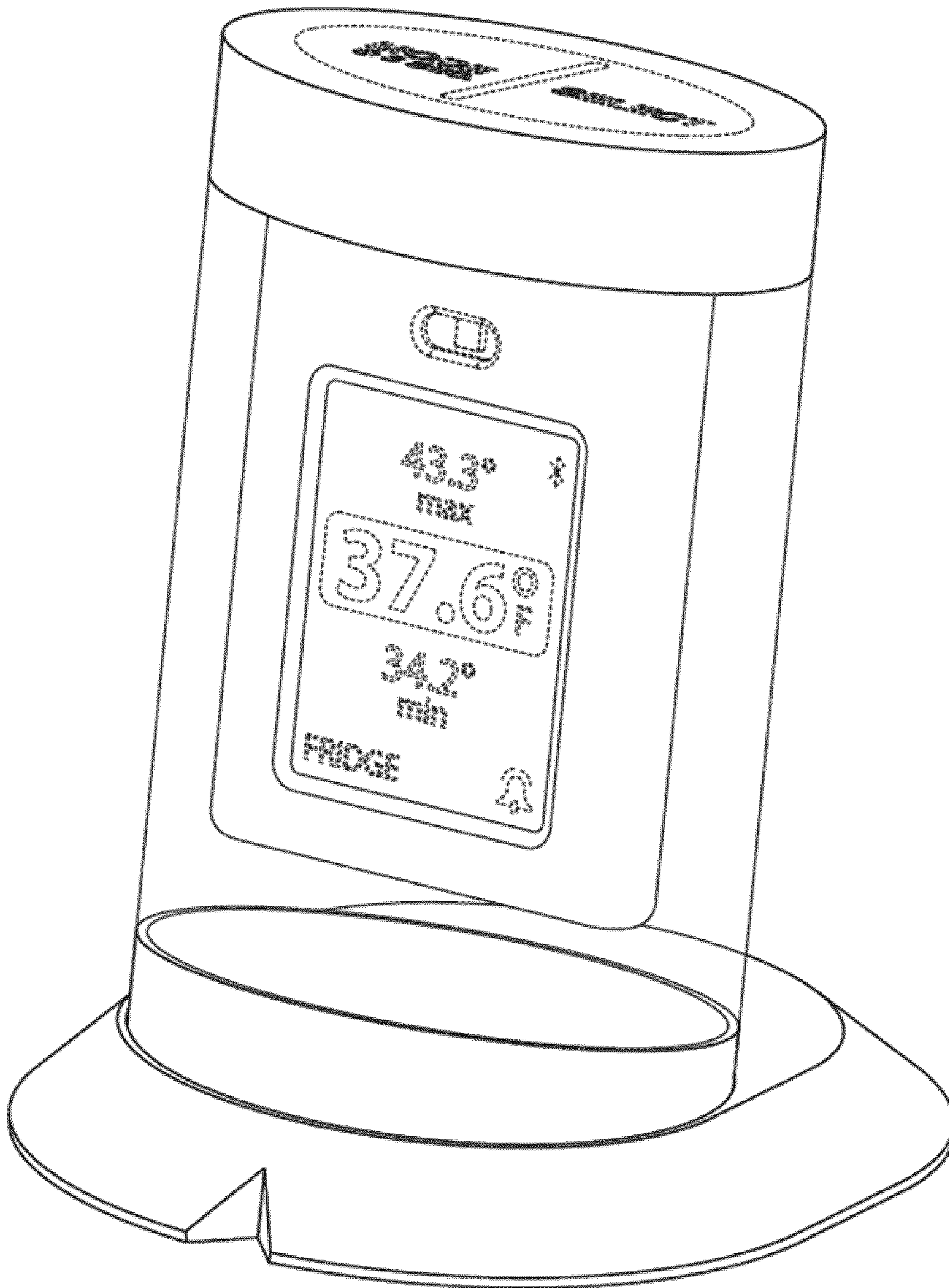


Fig. 1



Fig. 2

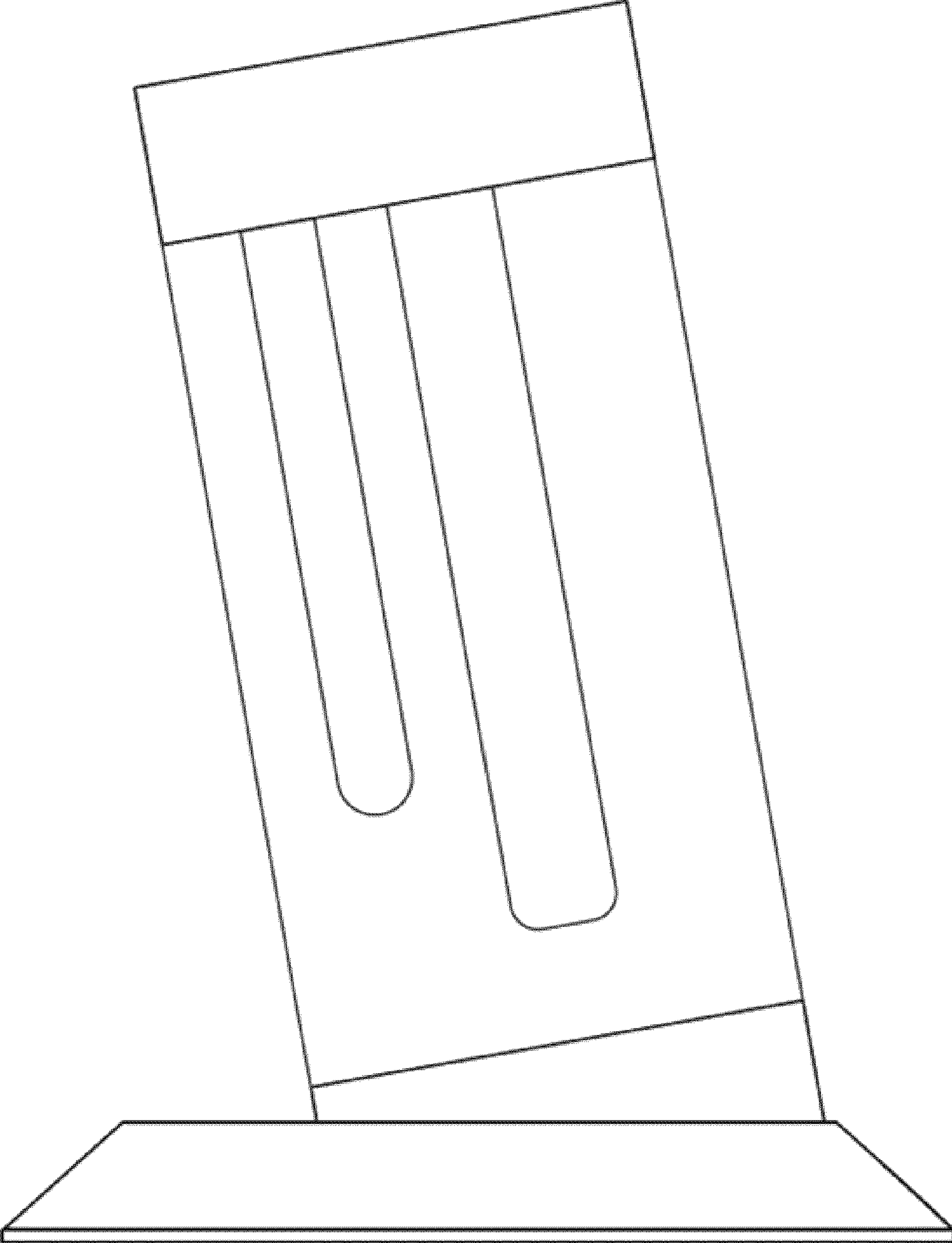


Fig. 3

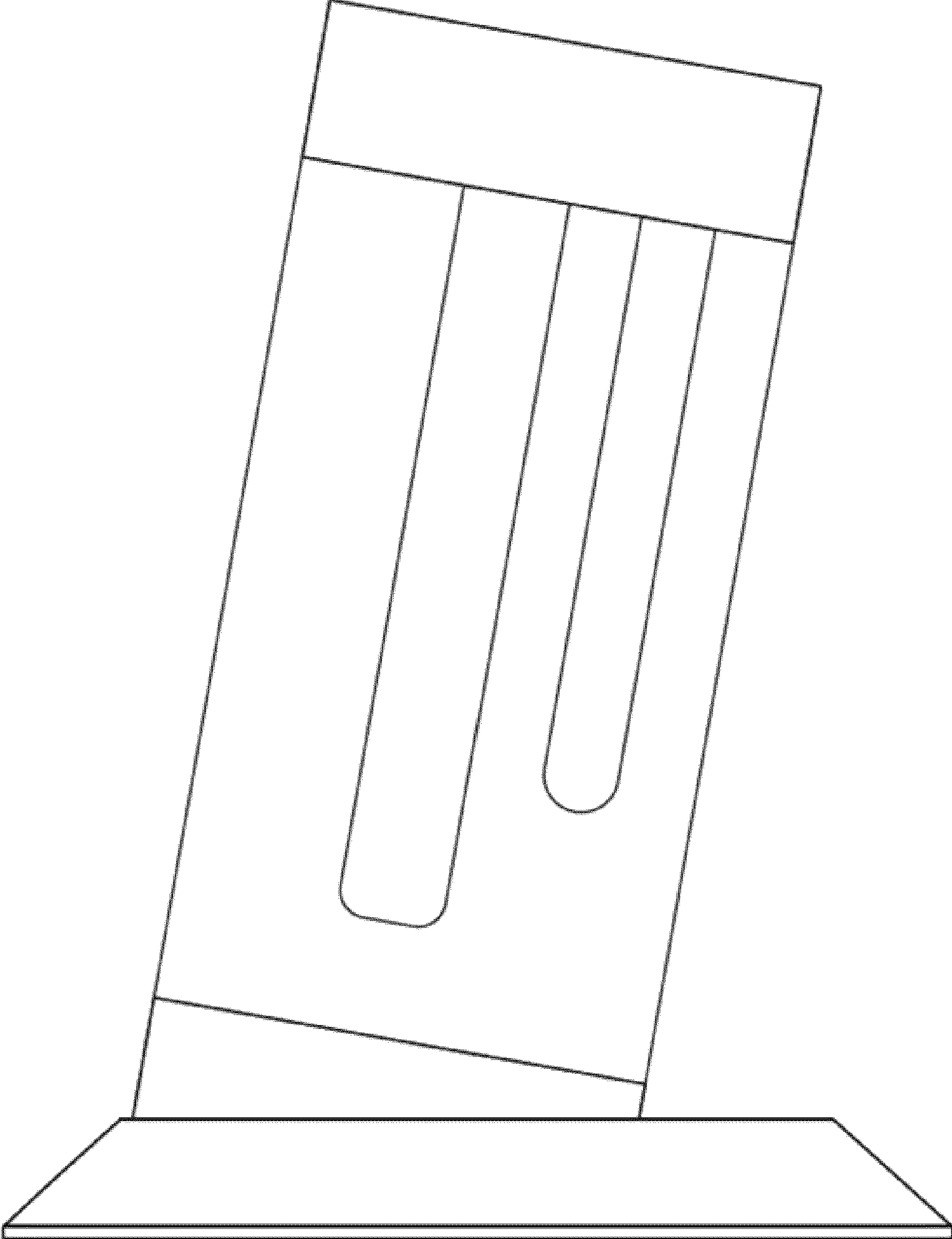


Fig. 4

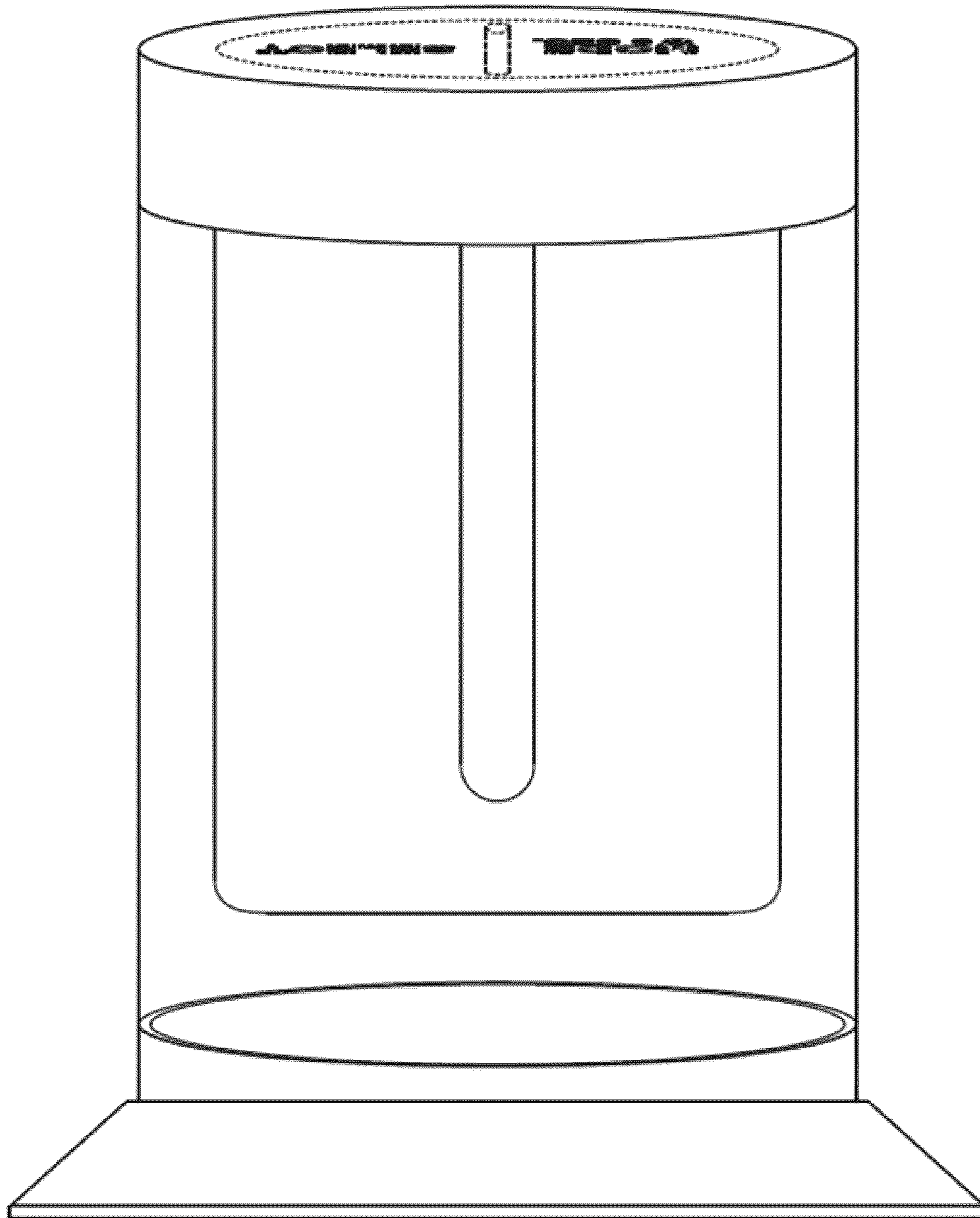


Fig. 5

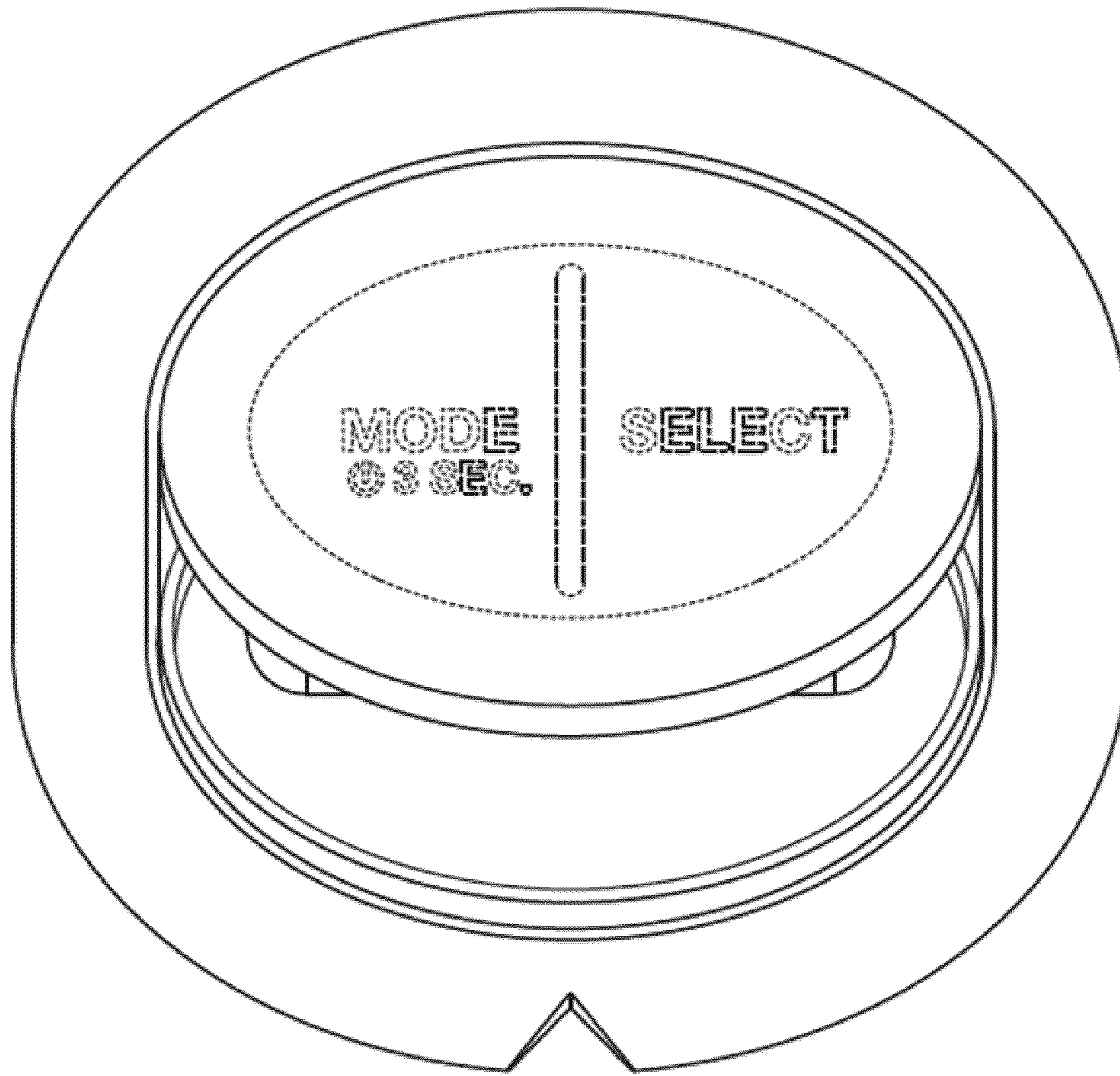


Fig. 6

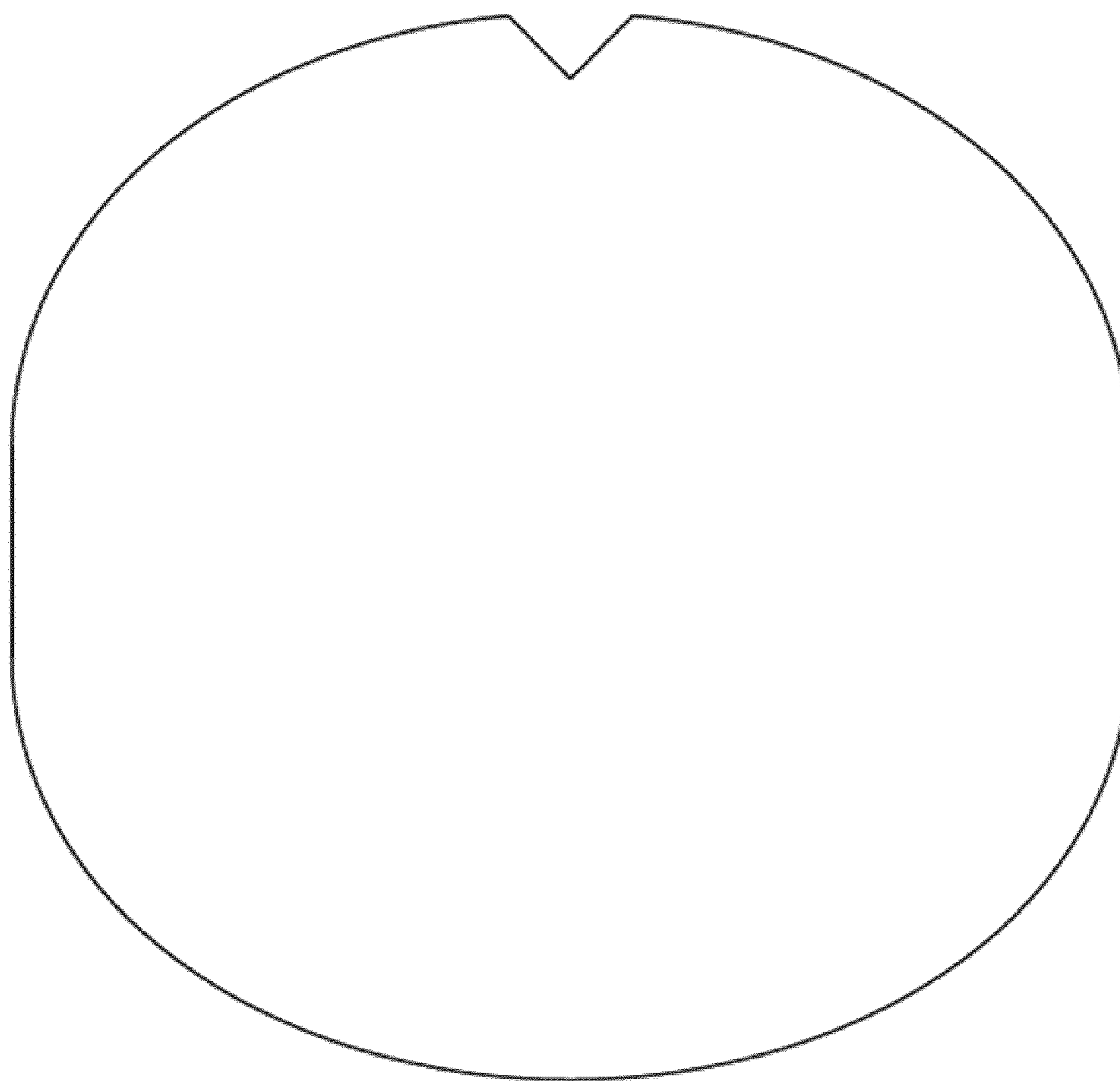


Fig. 7