



US00D738747S

(12) **United States Design Patent**
Calce

(10) **Patent No.:** **US D738,747 S**

(45) **Date of Patent:** **** Sep. 15, 2015**

(54) **WRISTWATCH**

(71) Applicant: **Montres Corum Sarl**, La
Chaux-de-Fonds (CH)

(72) Inventor: **Antonio Calce**, Bole (CH)

(73) Assignee: **Montres Corum Sarl**, La Chaux-de-
Fonds (CH)

(**) Term: **14 Years**

(21) Appl. No.: **29/470,849**

(22) Filed: **Oct. 25, 2013**

(30) **Foreign Application Priority Data**

Apr. 25, 2013 (CH) 139867

(51) **LOC (10) Cl.** **10-02**

(52) **U.S. Cl.**

USPC **D10/32; D10/39; D10/125**

(58) **Field of Classification Search**

USPC **D10/30-39, 1-29, 122-132**

CPC **G04B 15/00; G04B 15/14; G04B 19/00;**

G04B 19/04; G04B 19/06; G04B 19/10;

G04B 37/00; G04B 37/0008; G04B 37/0058;

G04B 45/00; G04B 45/0038; G04B 45/0069;

G04B 45/02

See application file for complete search history.

(56) **References Cited**

U.S. PATENT DOCUMENTS

D491,472 S *	6/2004	Peraldi	D10/30
D530,225 S *	10/2006	Wunderman	D10/32
D530,229 S *	10/2006	Wunderman	D10/32
D564,904 S *	3/2008	Leung	D10/31
D616,312 S *	5/2010	Ellia	D10/39
D624,439 S *	9/2010	Wunderman	D10/32
D640,572 S *	6/2011	Calce	D10/32
D644,539 S *	9/2011	Calce	D10/38
D644,942 S *	9/2011	Calce	D10/38
D661,602 S *	6/2012	Calce	D10/32

* cited by examiner

Primary Examiner — Martie K Holtje

(74) *Attorney, Agent, or Firm* — Sughrue Mion, PLLC

(57) **CLAIM**

The ornamental design for a wristwatch, as shown and described.

DESCRIPTION

FIG. 1 is a front perspective view of a wristwatch showing my new design;

FIG. 2 is a rear perspective view of thereof;

FIG. 3 is a front elevational view thereof;

FIG. 4 is a rear elevational view thereof;

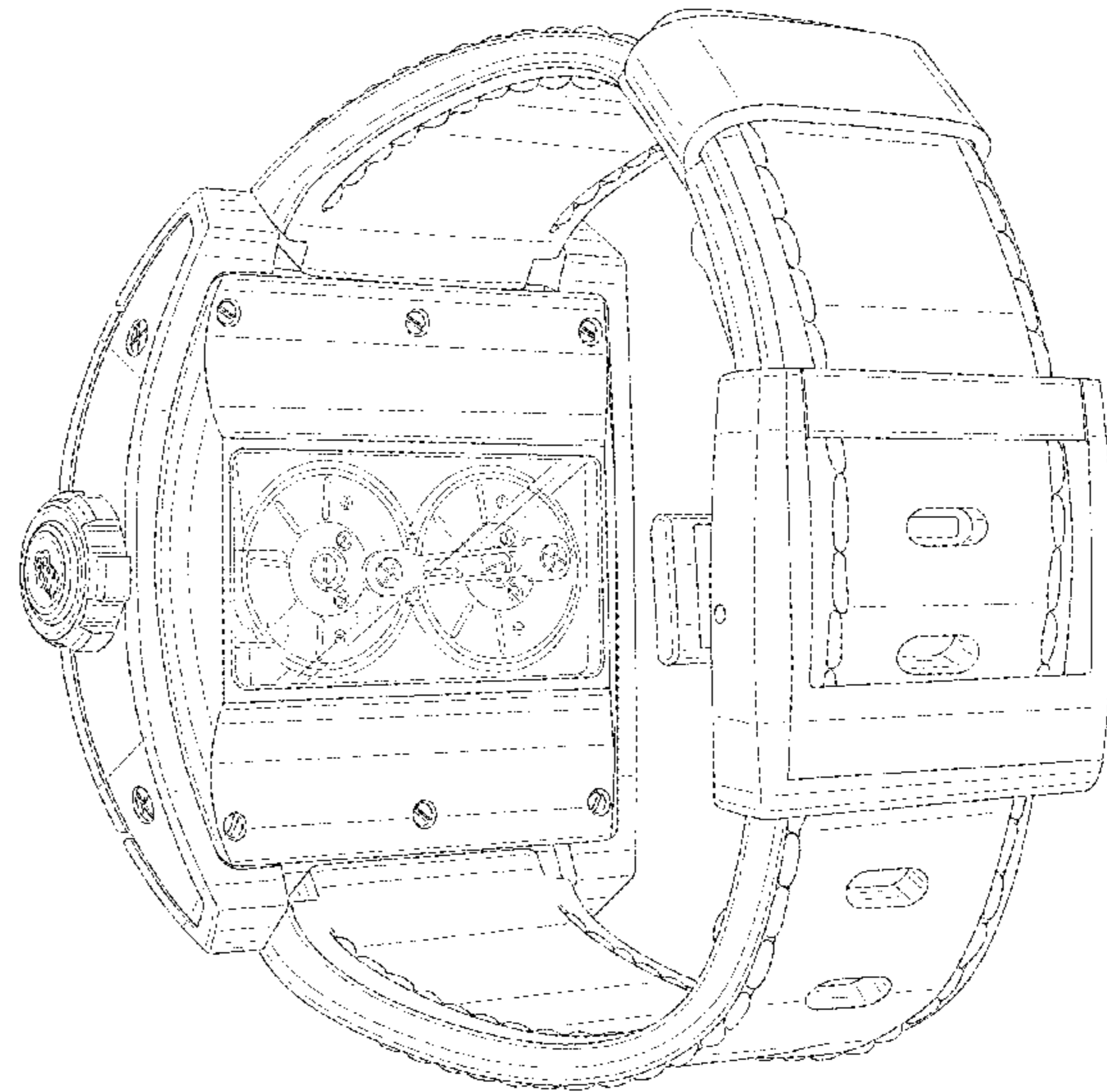
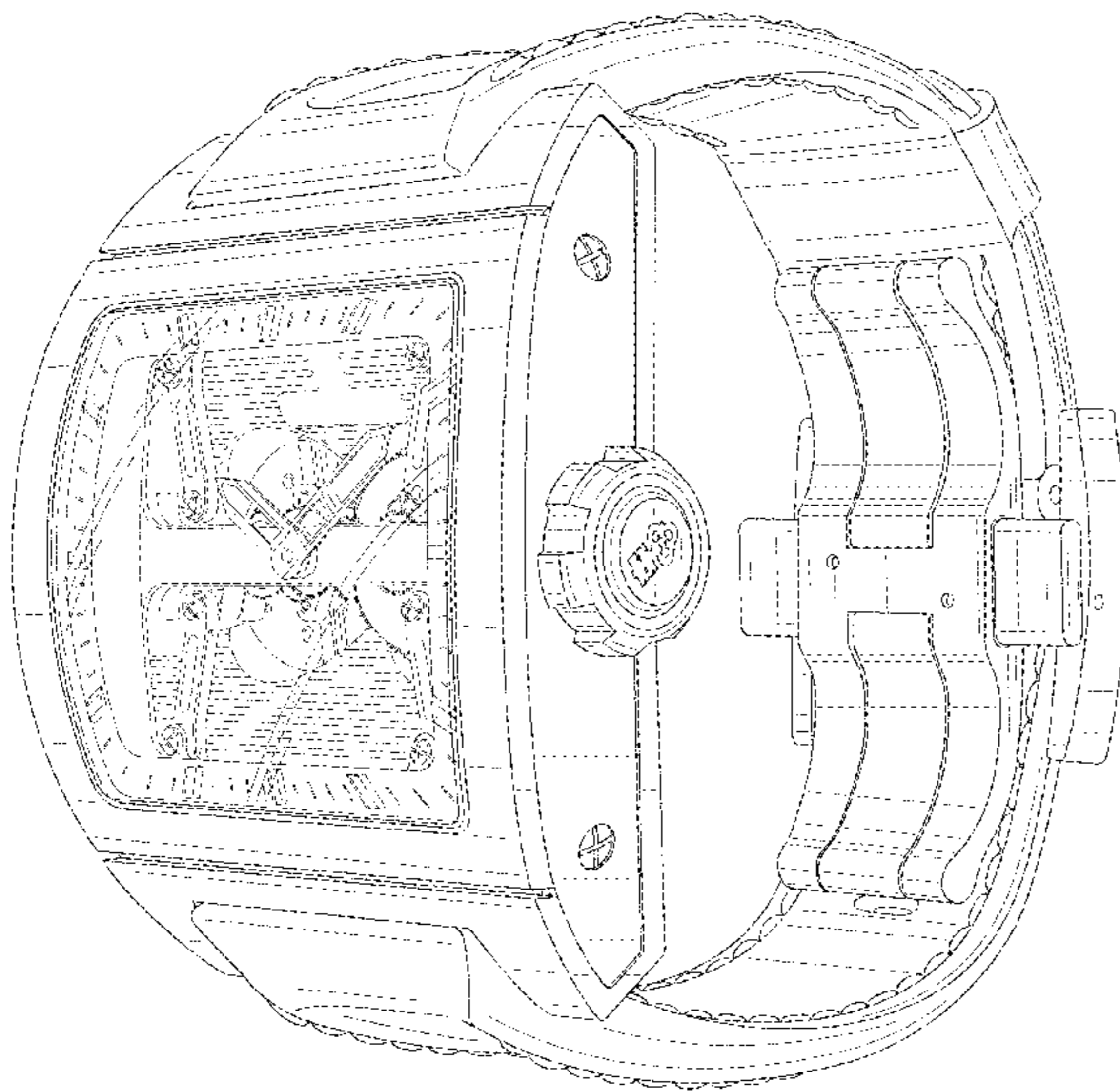
FIG. 5 is a left side elevational view thereof;

FIG. 6 is a right side elevational view thereof;

FIG. 7 is a top plan view thereof; and,

FIG. 8 is a bottom plan view.

1 Claim, 8 Drawing Sheets



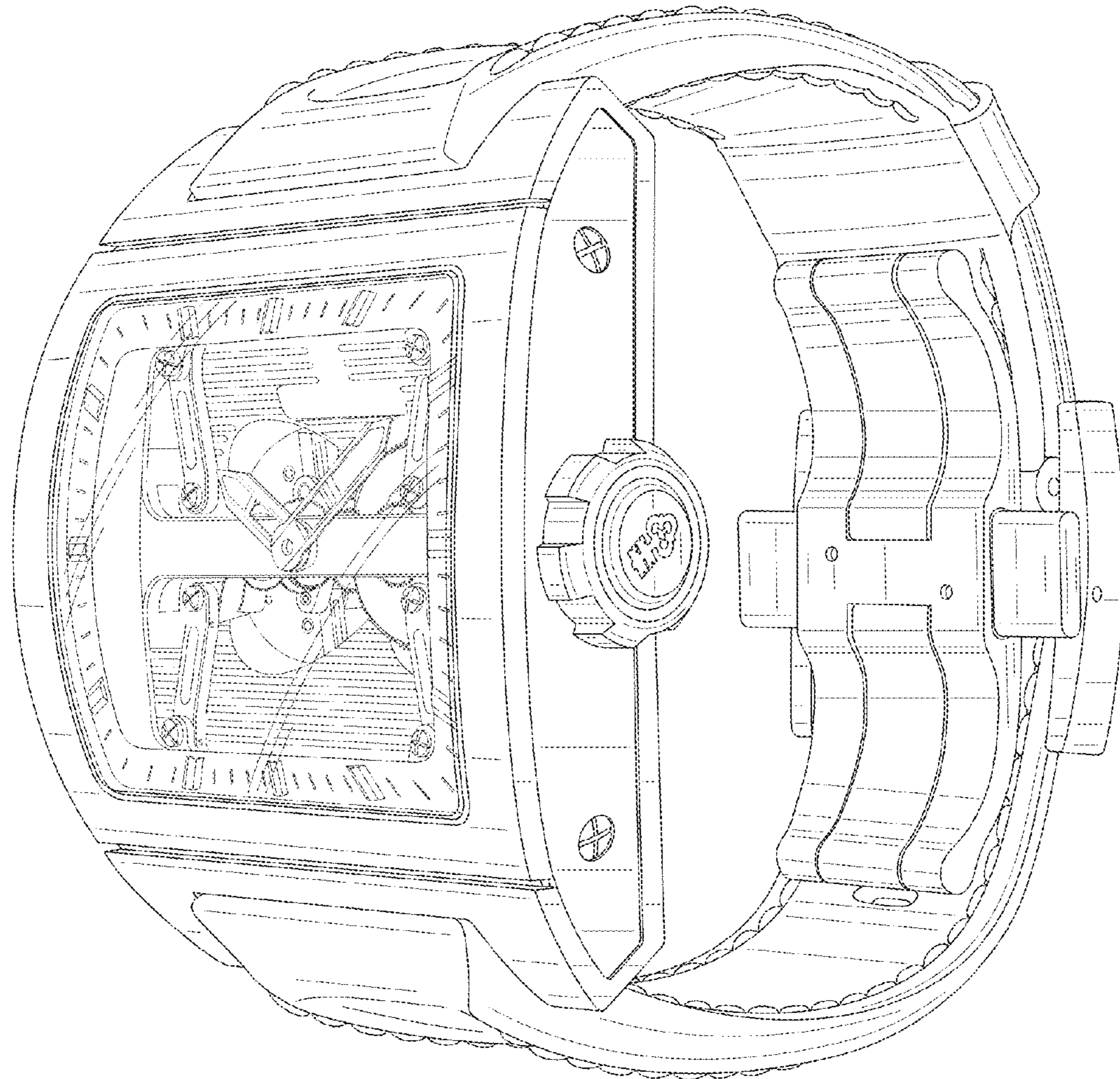


FIG. 1

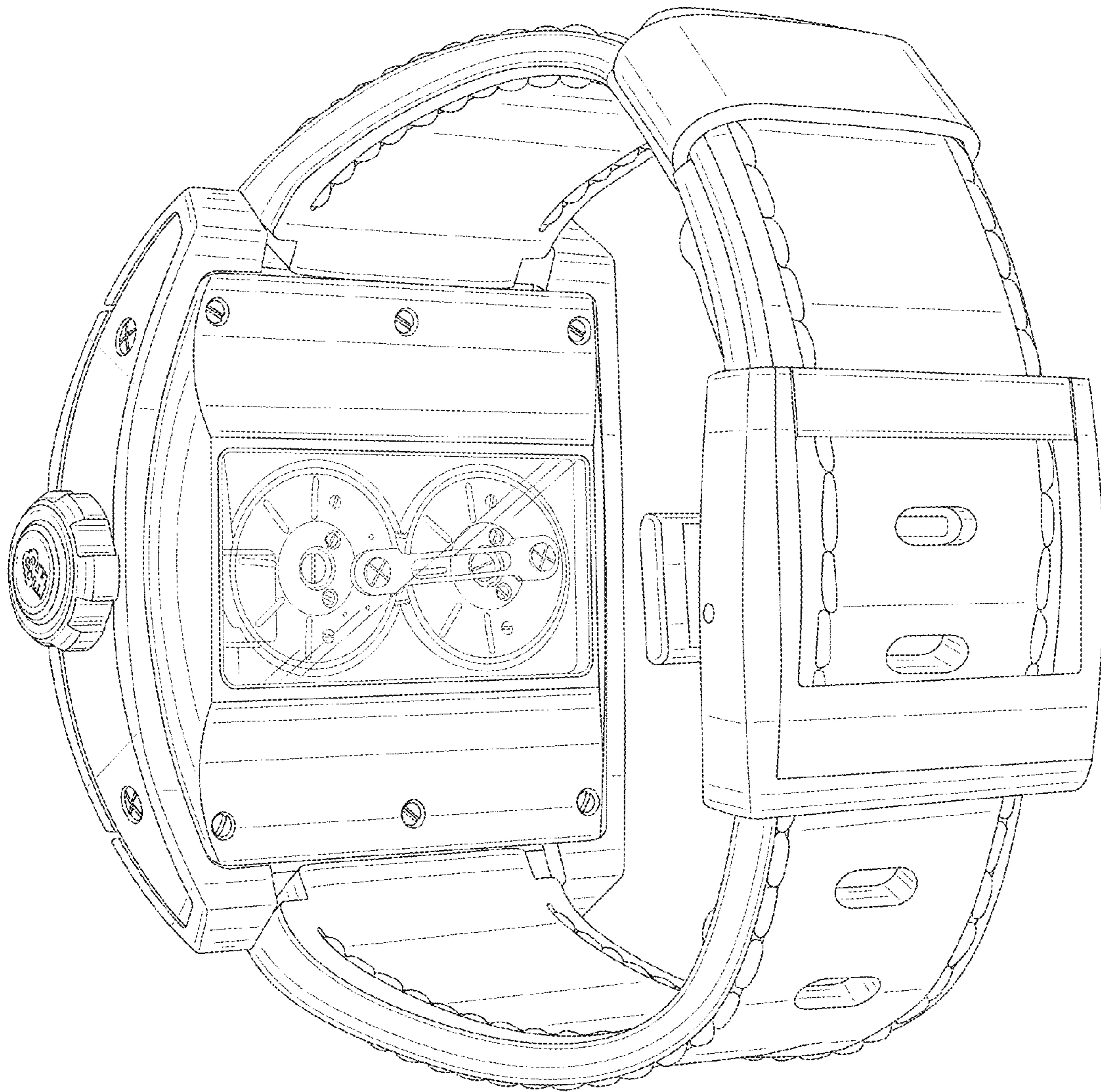


FIG. 2



FIG. 3

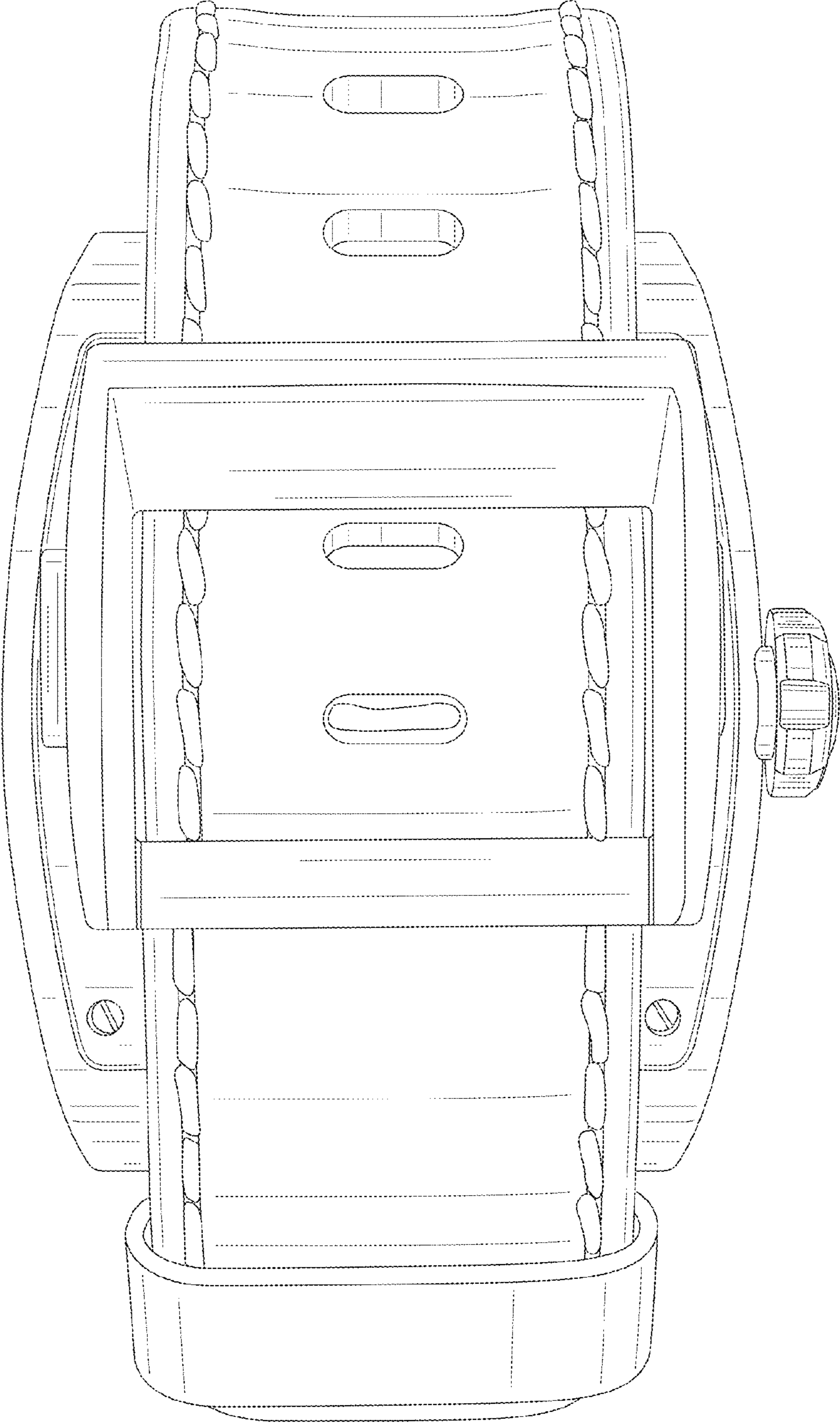


FIG. 4

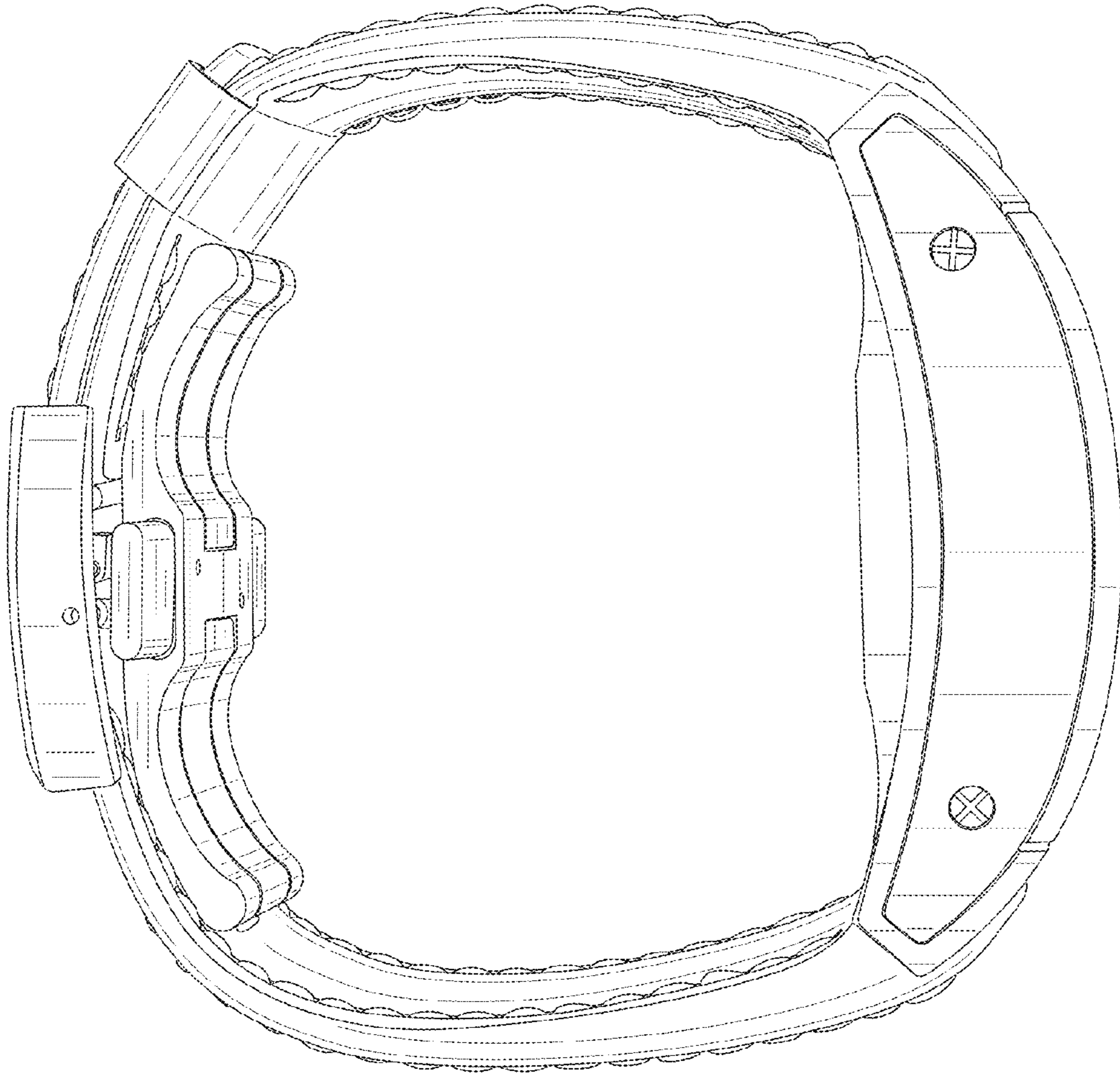


FIG. 5

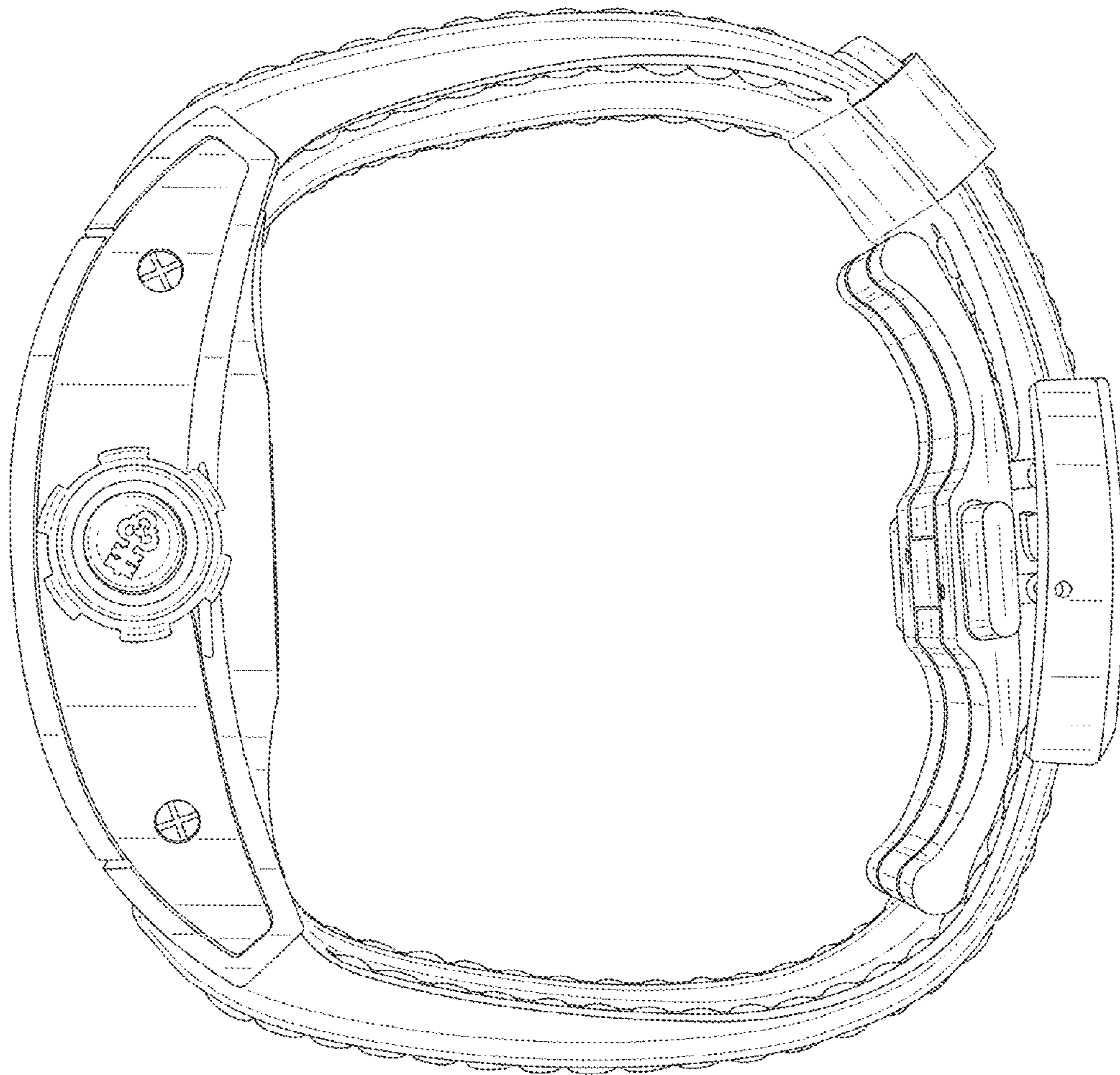


FIG. 6

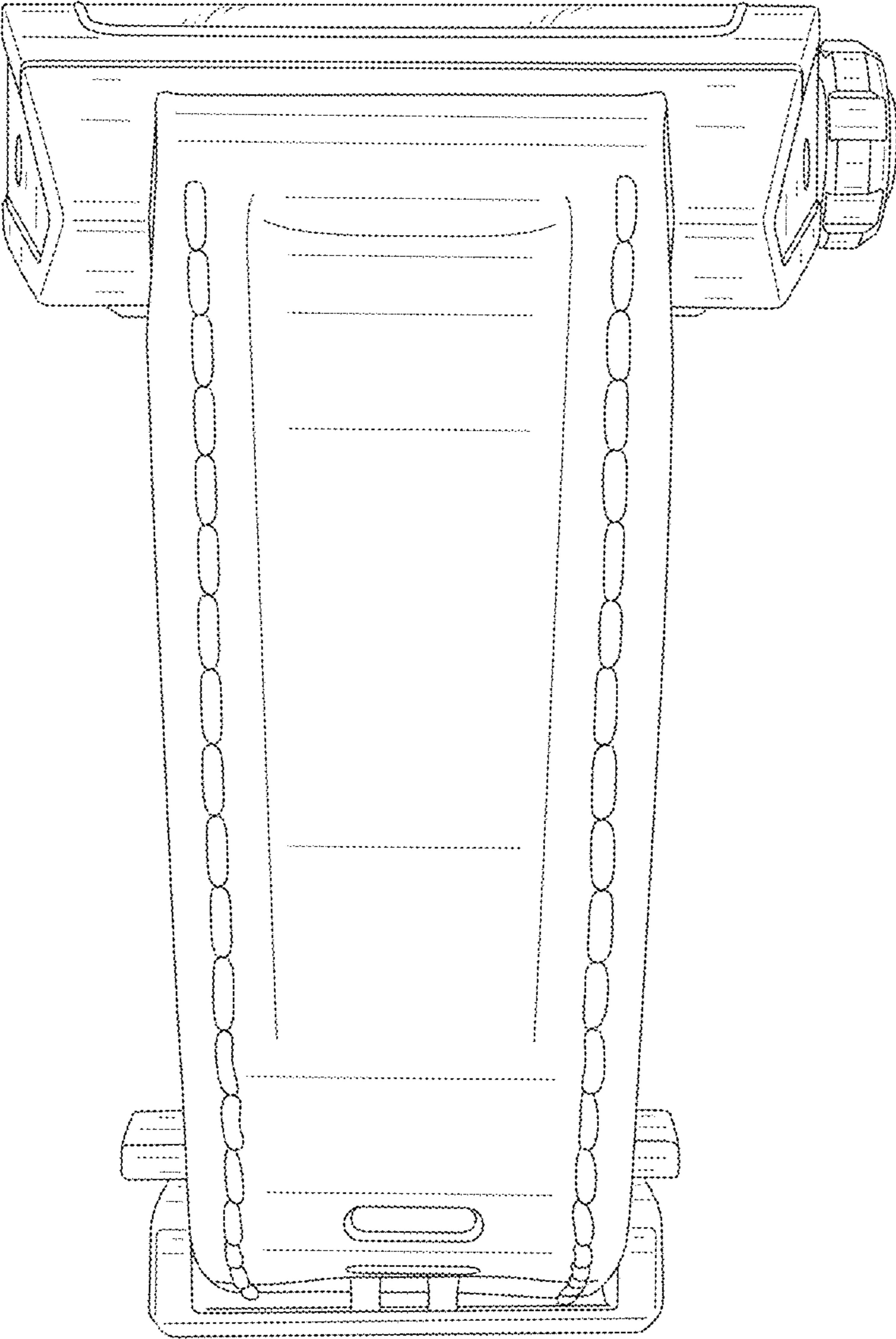


FIG. 7

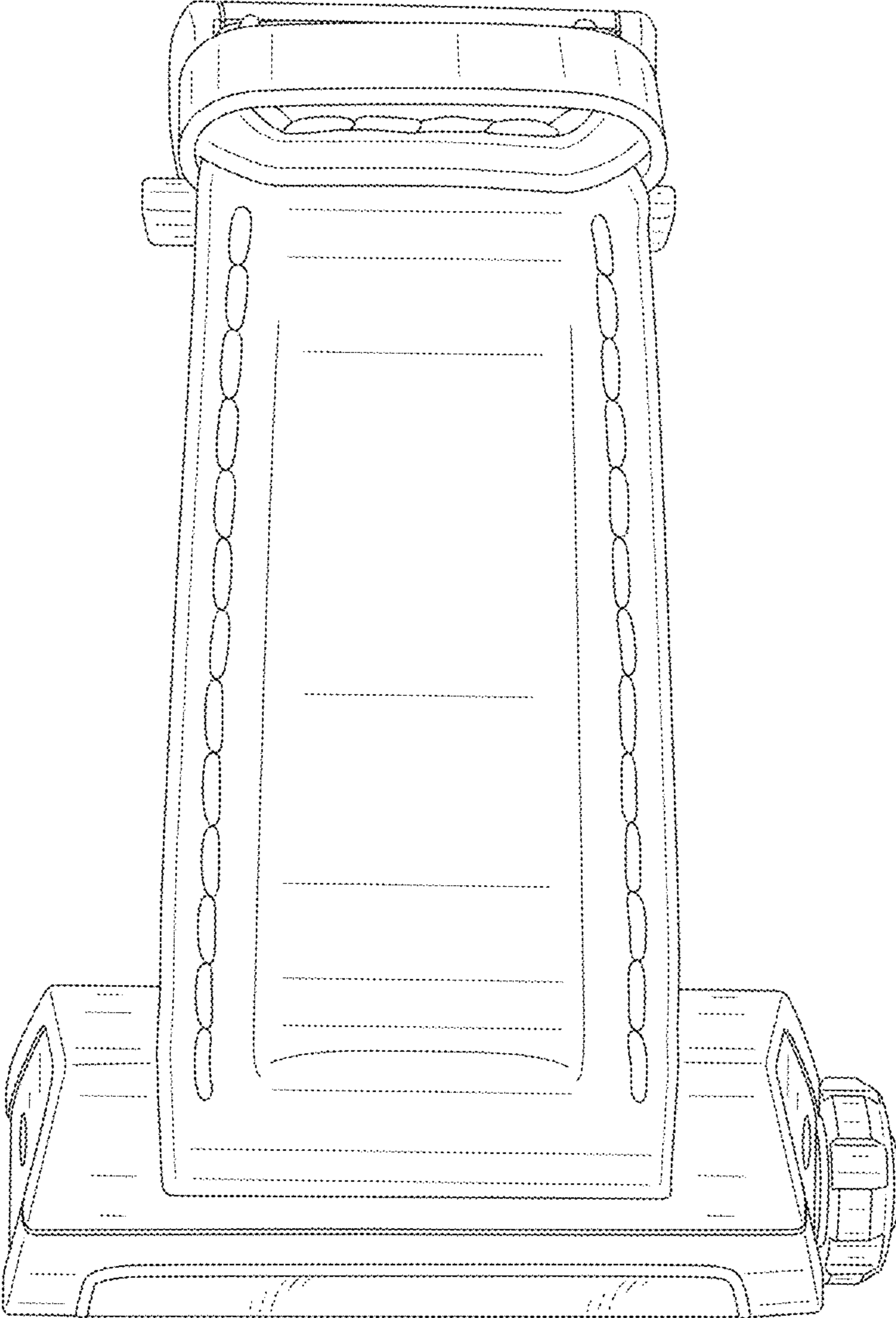


FIG. 8