



US00D738746S

(12) **United States Design Patent**
Restrepo

(10) **Patent No.:** **US D738,746 S**
(45) **Date of Patent:** **** Sep. 15, 2015**

(54) **WATCH**

(71) Applicant: **TechnoMarine SA, Succursale**
Luxembourg, Luxembourg (LU)

(72) Inventor: **Federico Restrepo, Shanghai (CN)**

(73) Assignee: **TM BRANDS, LLC, Hollywood, FL**
(US)

(**) Term: **14 Years**

(21) Appl. No.: **29/469,474**

(22) Filed: **Oct. 10, 2013**

(51) **LOC (10) Cl.** **10-02**

(52) **U.S. Cl.**
USPC **D10/30; D10/38**

(58) **Field of Classification Search**
USPC **D10/30-39, 1-29, 122-132, 60;**
D26/120

CPC **G04B 19/00; G04B 19/10; G04B 39/00;**
G04B 39/002; G04B 39/008; G04B 45/00;
G04B 45/0069; G04B 45/0076; H01L 33/58;
H01L 33/483

See application file for complete search history.

(56) **References Cited**

U.S. PATENT DOCUMENTS

D119,638 S *	3/1940	Ornstein	D10/32
D121,916 S *	8/1940	Ornstein	D10/30
D150,129 S *	7/1948	Geduldig	D10/32
3,386,239 A *	6/1968	Shiffman	368/296

4,253,177 A *	2/1981	Hafner	368/187
5,224,078 A *	6/1993	Mallin	368/223
D367,829 S *	3/1996	Takigawa	D10/132
D403,251 S *	12/1998	Yuill	D10/32
D417,236 S *	11/1999	Burrus	D19/28
D434,334 S *	11/2000	Wunderman	D10/30
D447,964 S *	9/2001	Kompa	D10/60
7,081,644 B2 *	7/2006	Flaherty et al.	257/98
7,126,881 B2 *	10/2006	Cooper et al.	368/223
D632,591 S *	2/2011	Thevenaz	D10/32
D678,598 S *	3/2013	Wu et al.	D26/120
D727,558 S *	4/2015	Tang et al.	D26/120

* cited by examiner

Primary Examiner — Martie K Holtje

(74) *Attorney, Agent, or Firm* — Seth Natter; Natter & Natter

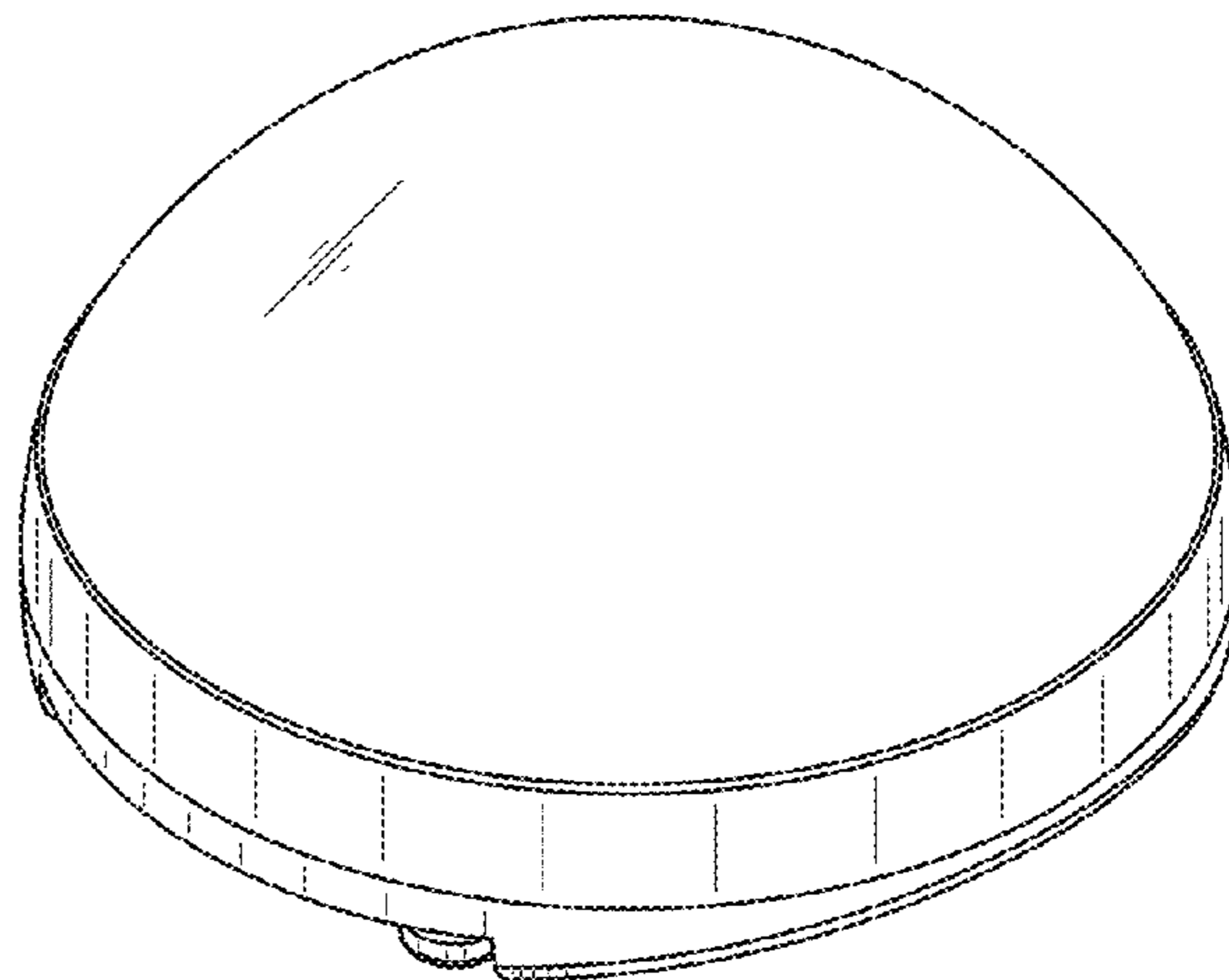
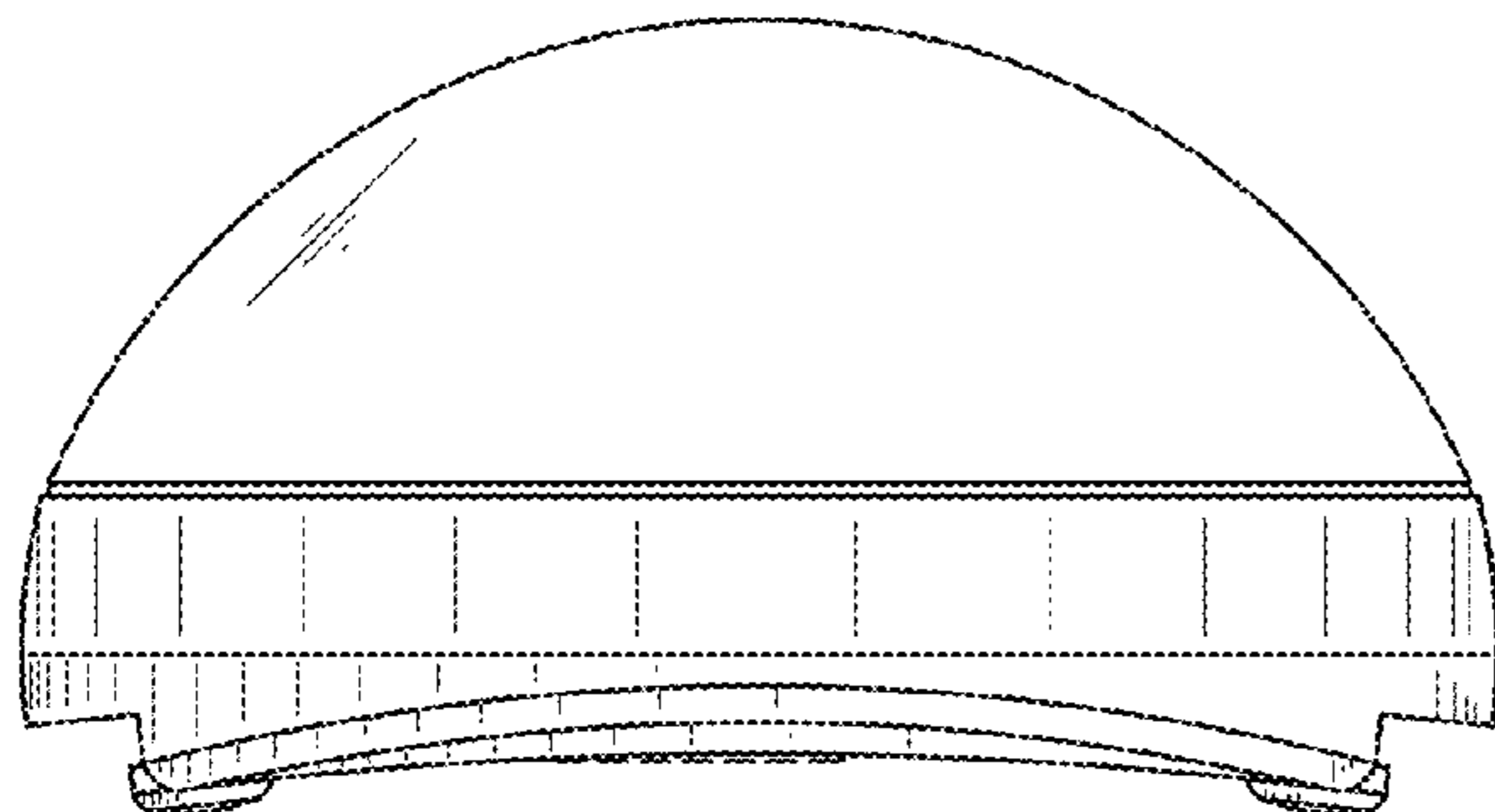
(57) **CLAIM**

The ornamental design for a watch, as shown and described.

DESCRIPTION

FIG. 1 is a top view of a watch showing the new design;
FIG. 2 is a bottom view thereof;
FIG. 3 is a left side view thereof;
FIG. 4 is a right side view thereof;
FIG. 5 is a front view thereof;
FIG. 6 is a rear view thereof; and,
FIG. 7 is a perspective view thereof.
The structural features depicted by broken lines in the drawing have been shown for the purpose of illustrating portions of the watch that form no part of the claimed design.

1 Claim, 4 Drawing Sheets



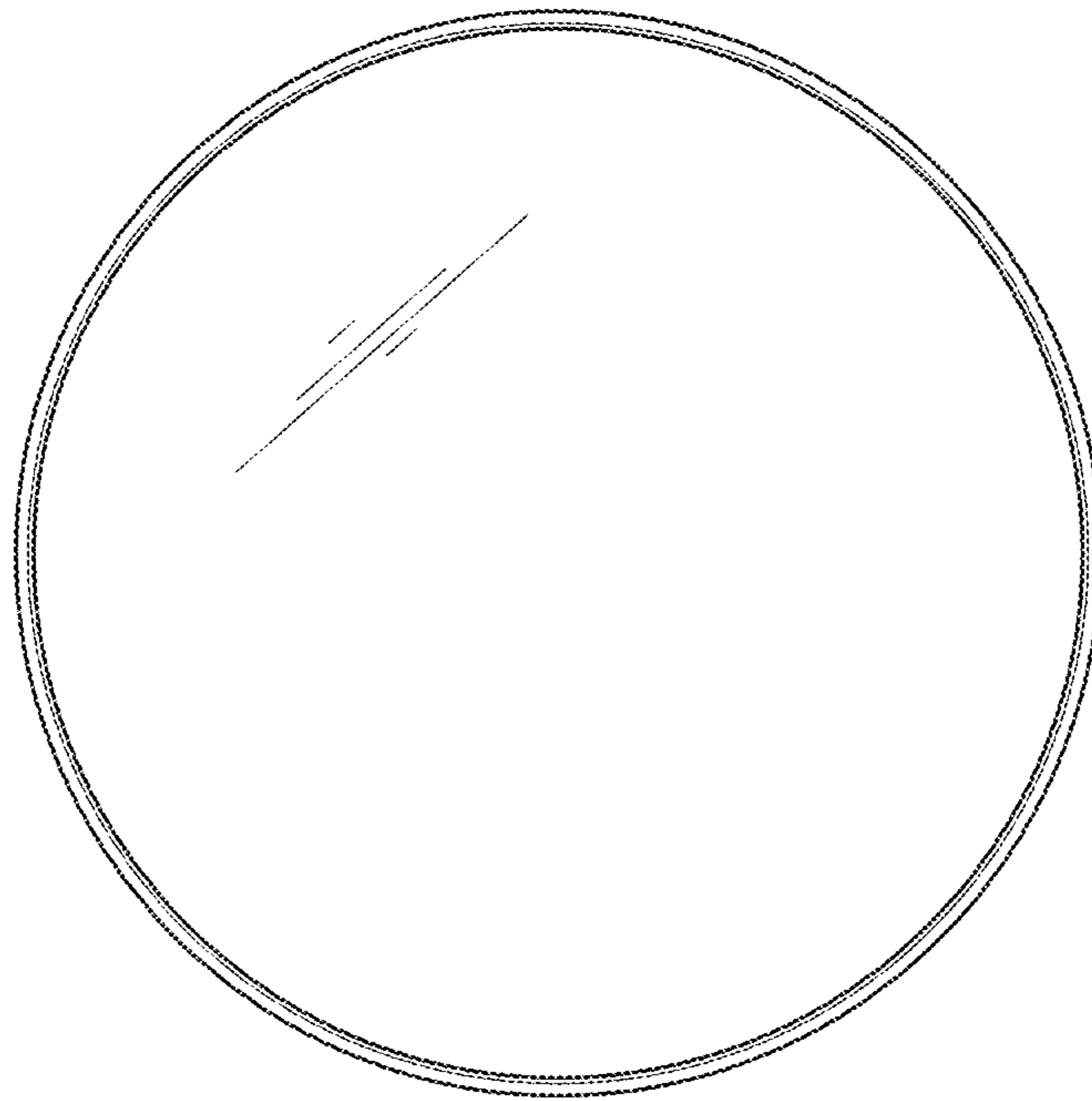


Fig. 1

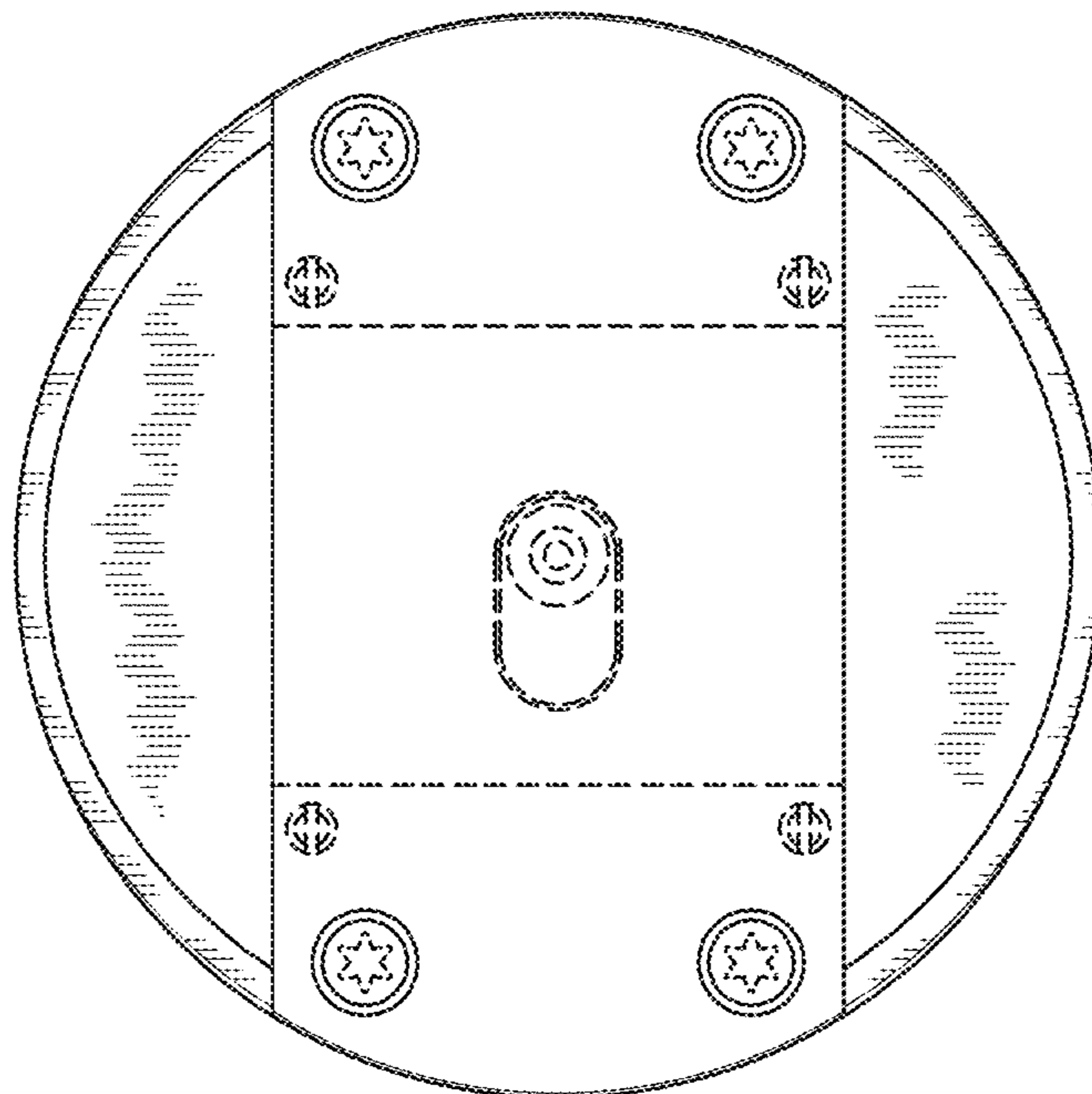


Fig. 2

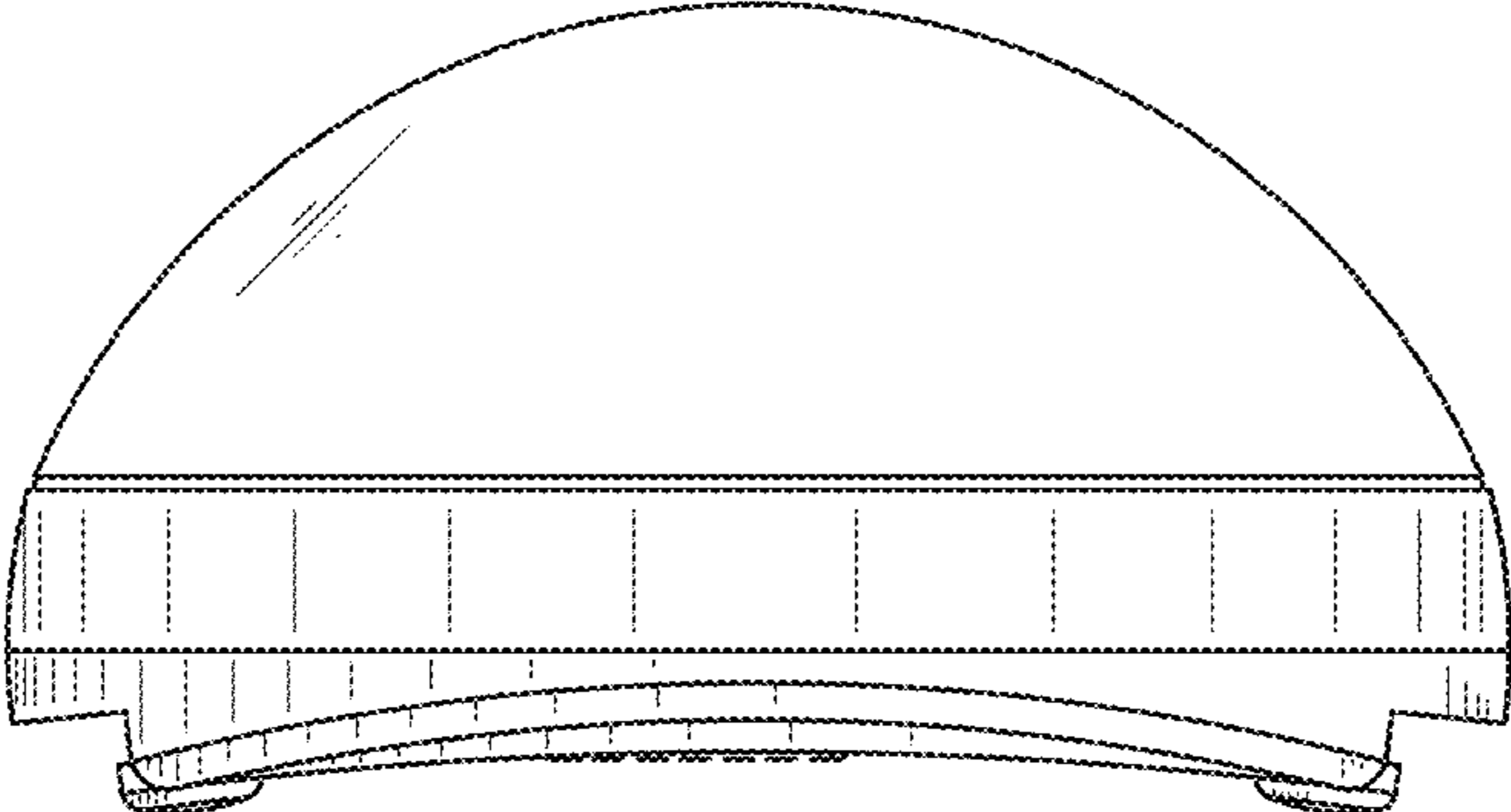


Fig. 3

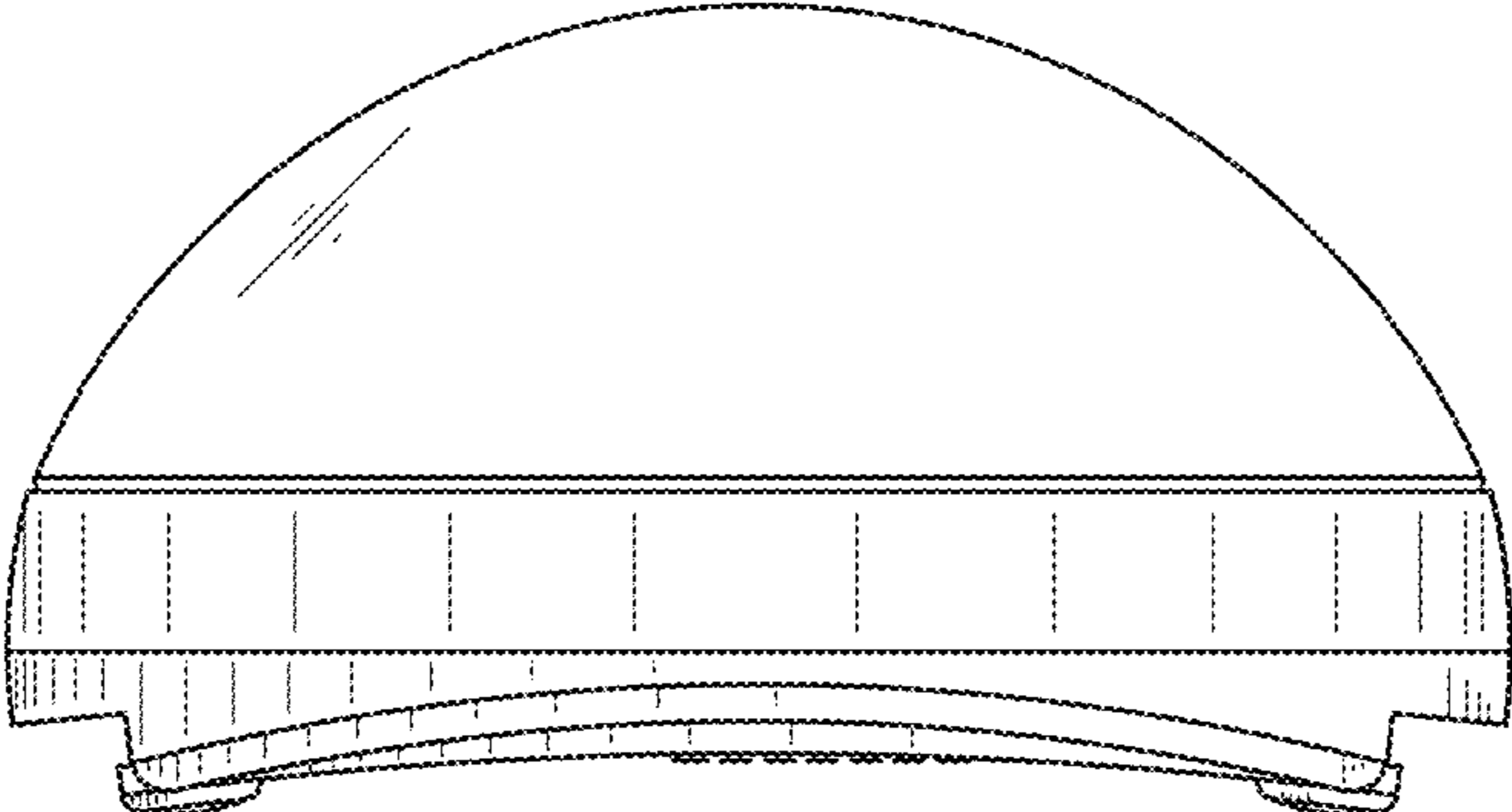


Fig. 4

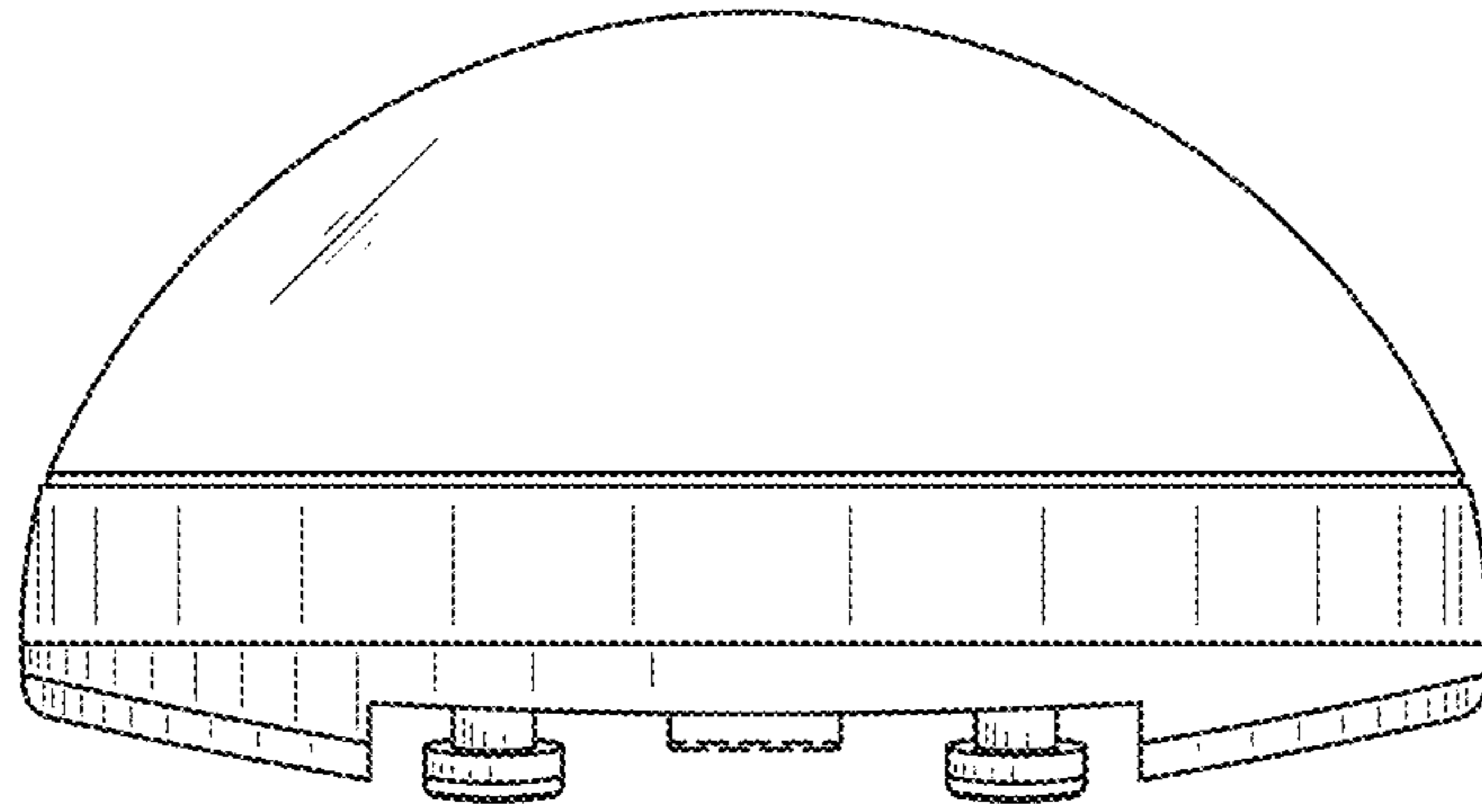


Fig. 5

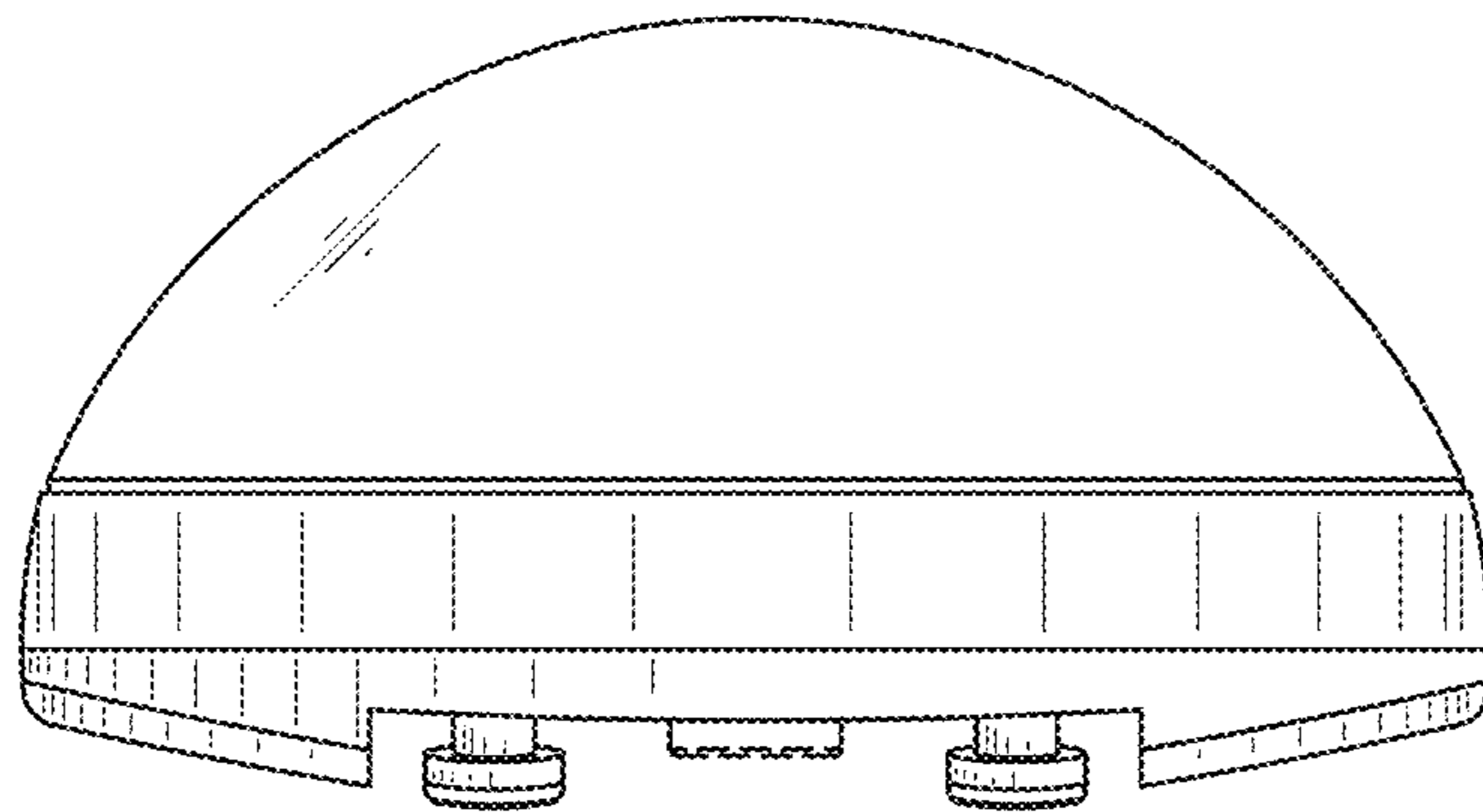


Fig. 6

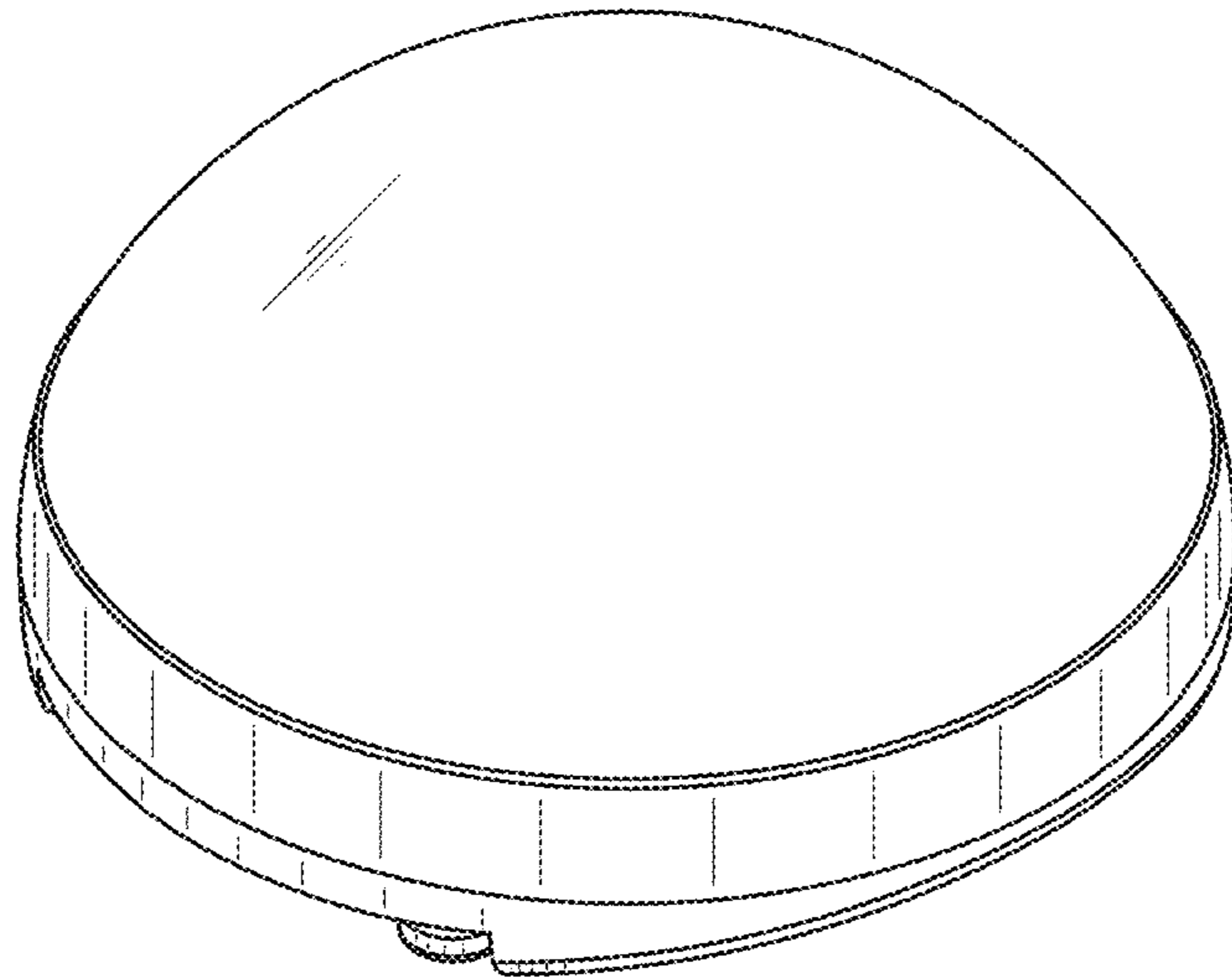


Fig. 7