



US00D738744S

(12) **United States Design Patent**  
**Sanders**

(10) **Patent No.:** **US D738,744 S**

(45) **Date of Patent:** **\*\* \*Sep. 15, 2015**

(54) **SANDWICH WRAP**

(71) Applicant: **Scott Sanders**, Moreland Hills, OH (US)

(72) Inventor: **Scott Sanders**, Moreland Hills, OH (US)

(\*) Notice: This patent is subject to a terminal disclaimer.

(\*\*) Term: **14 Years**

(21) Appl. No.: **29/482,494**

(22) Filed: **Feb. 19, 2014**

(51) **LOC (10) Cl.** ..... **09-05**

(52) **U.S. Cl.**  
USPC ..... **D9/713**

(58) **Field of Classification Search**  
USPC ..... D9/713; D7/607, 368, 687, 669;  
150/154, 105; 383/110, 121.1, 2, 6, 98,  
383/13, 15; 220/592.25, 592.2; 62/372  
See application file for complete search history.

(56) **References Cited**

**U.S. PATENT DOCUMENTS**

D92,259 S \* 5/1934 Kulander ..... D9/713  
2,387,217 A \* 10/1945 Scott ..... 229/87.08  
D203,009 S \* 11/1965 Loney ..... D9/456  
3,964,669 A \* 6/1976 Sontag et al. .... 220/62.13

RE35,241 E \* 5/1996 Capy et al. .... 426/111  
5,671,882 A \* 9/1997 Cerwinski et al. .... 229/87.08  
5,988,492 A \* 11/1999 Capy et al. .... 229/122.34  
6,209,784 B1 \* 4/2001 Jensen ..... 229/199  
6,234,384 B1 \* 5/2001 Capy et al. .... 229/87.03  
D445,027 S \* 7/2001 Sherts et al. .... D9/444  
D457,287 S \* 5/2002 Geisen ..... D2/608  
6,702,178 B2 \* 3/2004 Bowers et al. .... 229/87.08  
D699,079 S \* 2/2014 Lloyd ..... D7/601

\* cited by examiner

*Primary Examiner* — Caron D Veynar

*Assistant Examiner* — Holly E Thurman

(74) *Attorney, Agent, or Firm* — Fay Sharpe LLP

(57) **CLAIM**

The ornamental design for a sandwich wrap, as shown and described.

**DESCRIPTION**

FIG. 1 is a top perspective view of a sandwich wrap showing my new design;

FIG. 2 is a bottom perspective view thereof;

FIG. 3 is a left side view thereof;

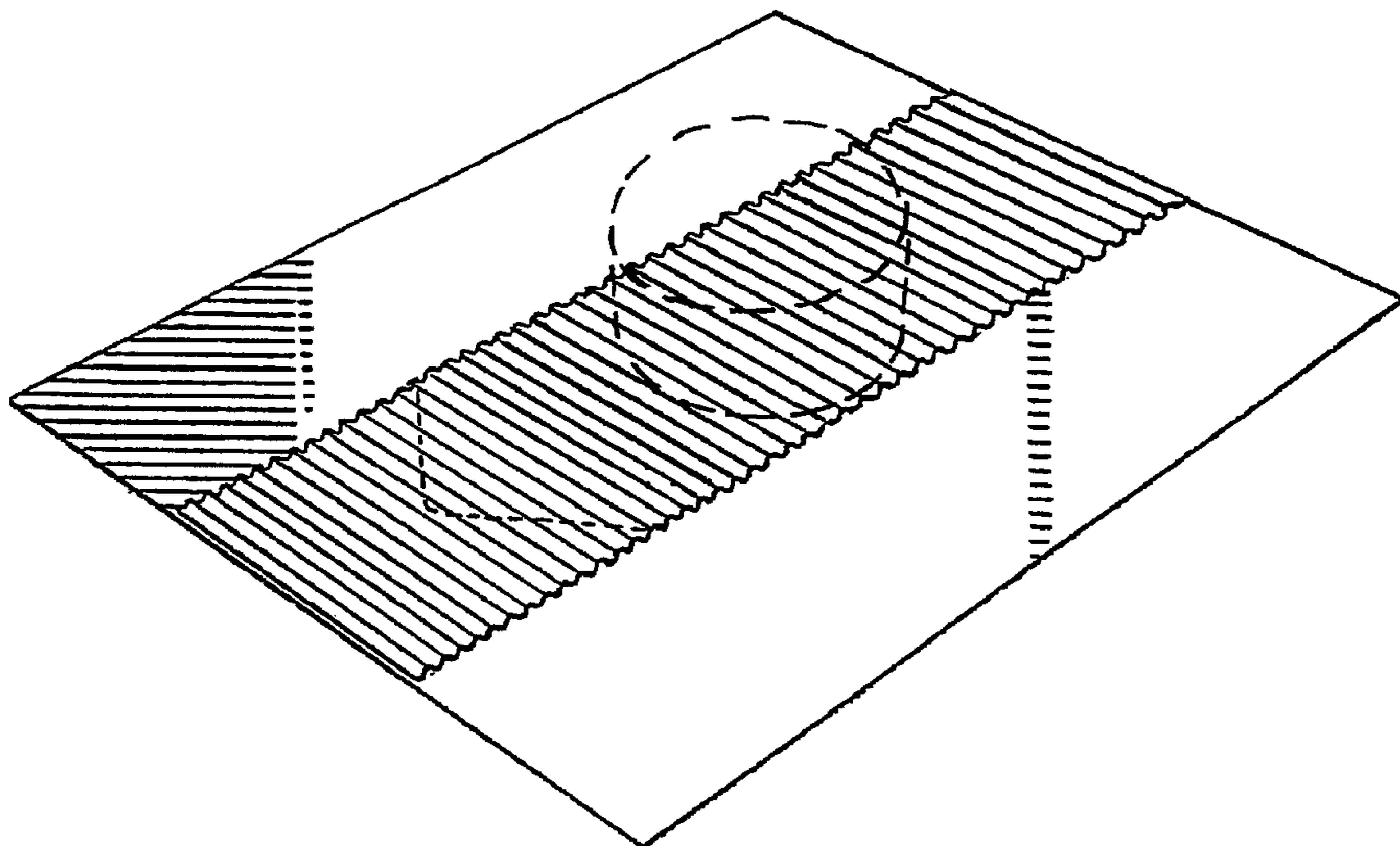
FIG. 4 is a front end view thereof;

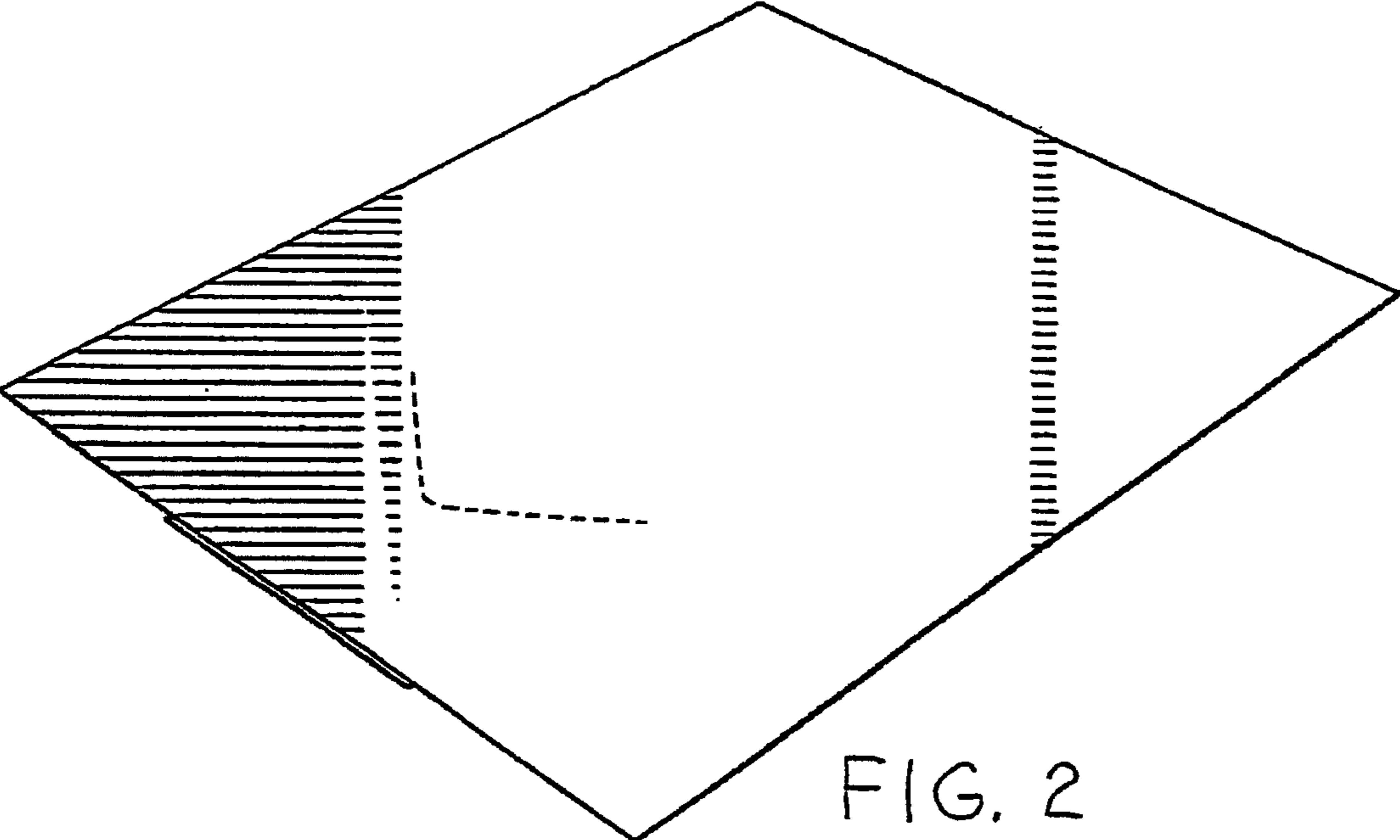
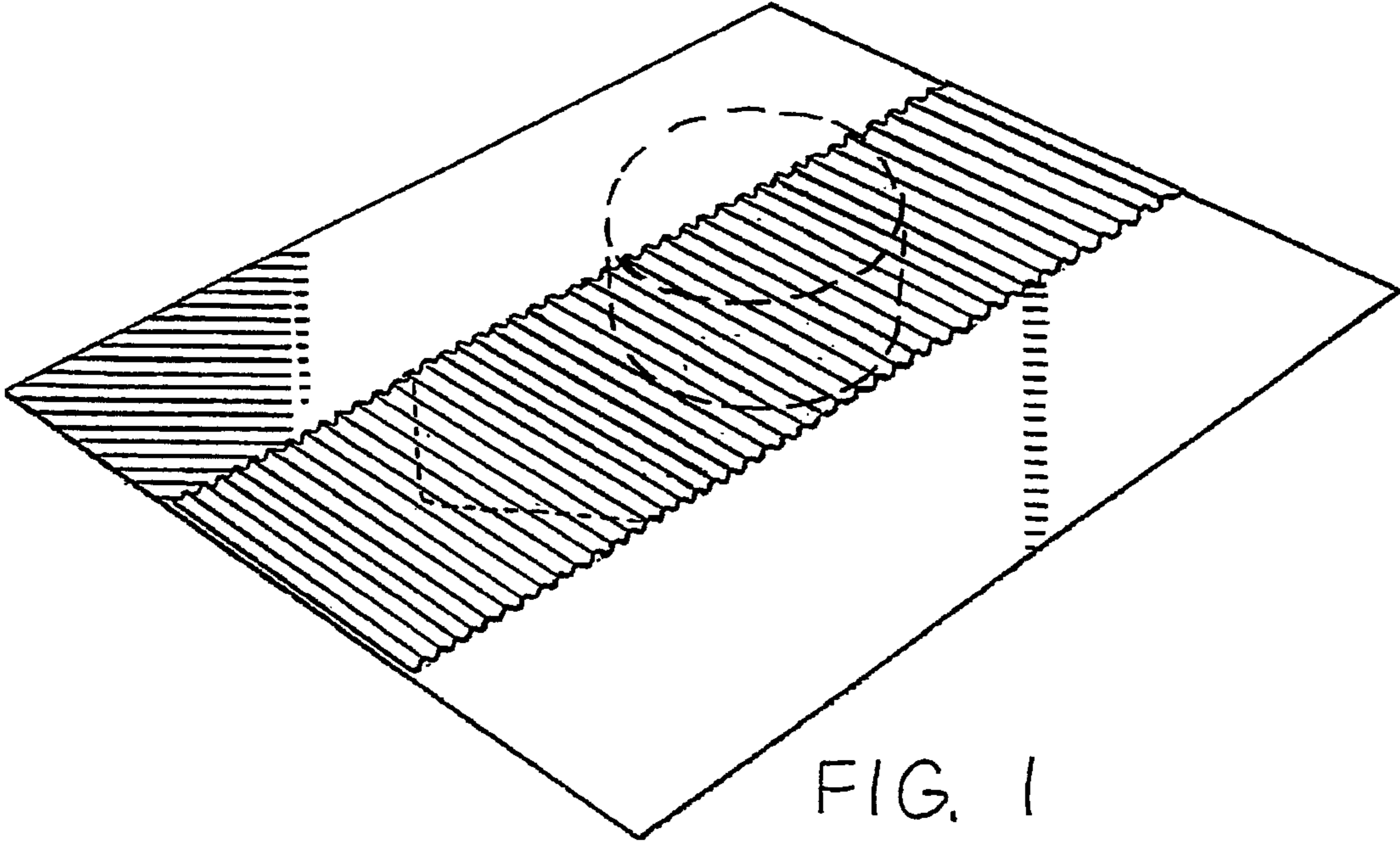
FIG. 5 is a top plan view thereof; and,

FIG. 6 is a top perspective view thereof showing the rear end partially wrapped over a sandwich.

In the drawings, the sandwich in broken lines depicts environmental subject matter only and forms no part of the claimed design.

**1 Claim, 4 Drawing Sheets**





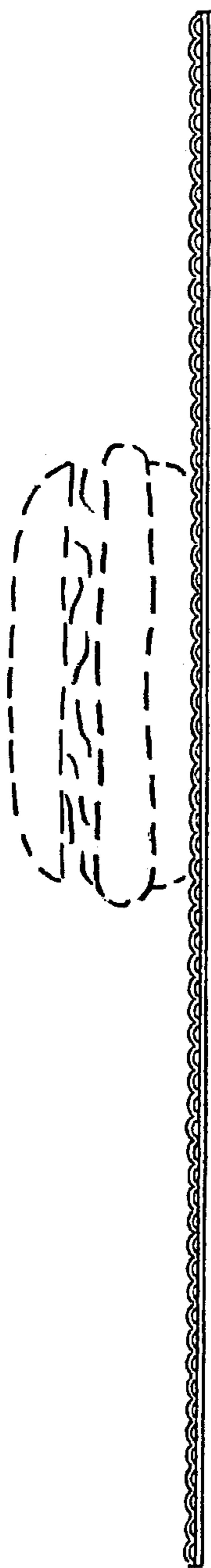


FIG. 3

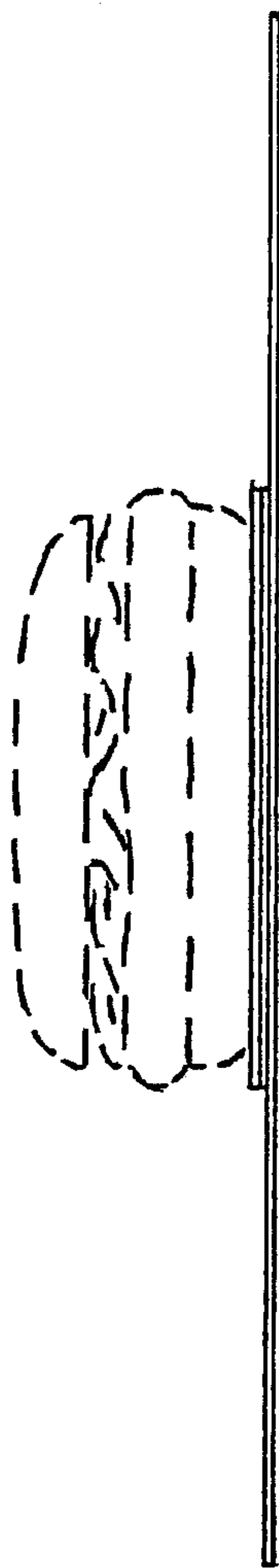


FIG. 4

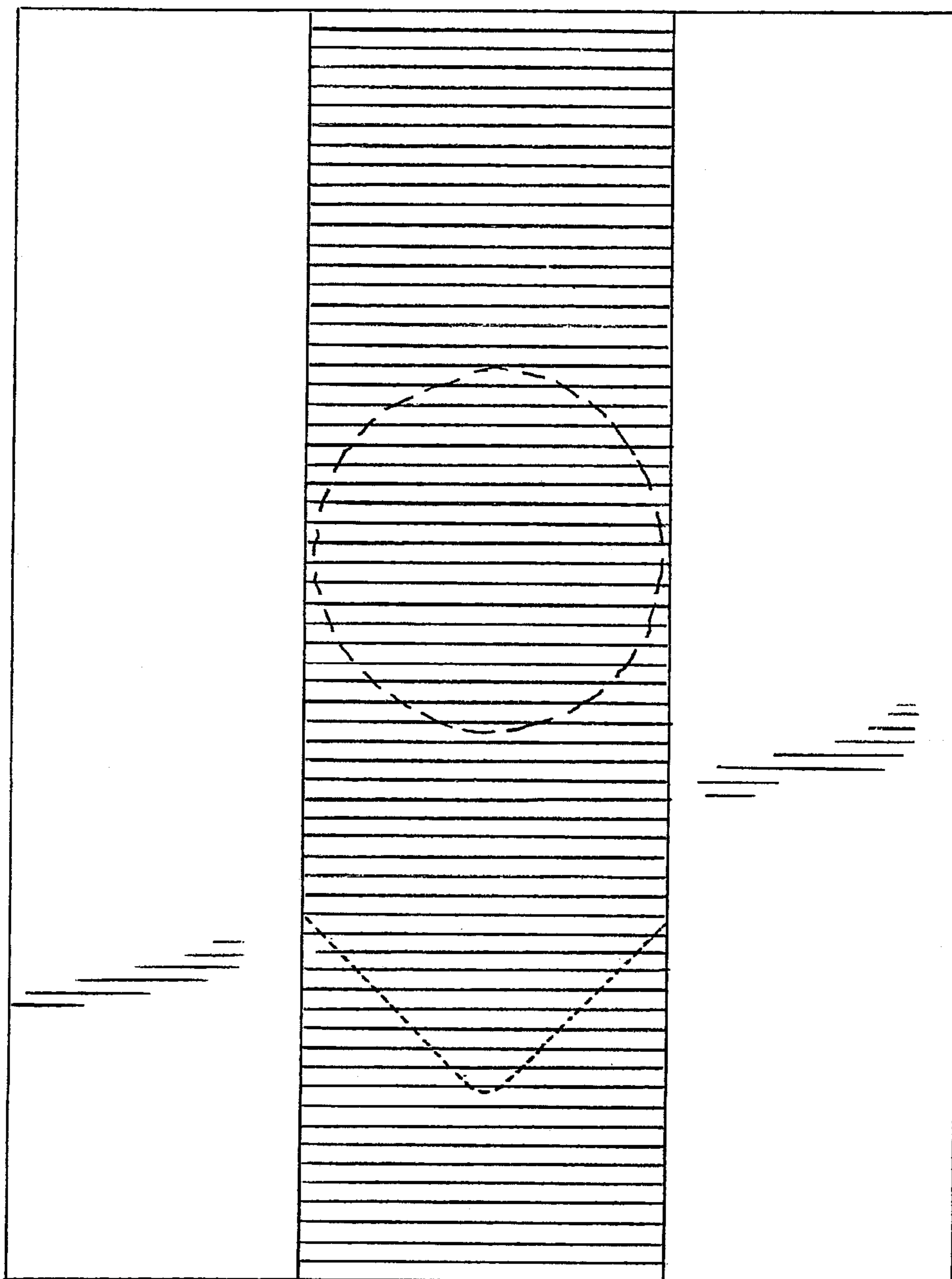


FIG. 5

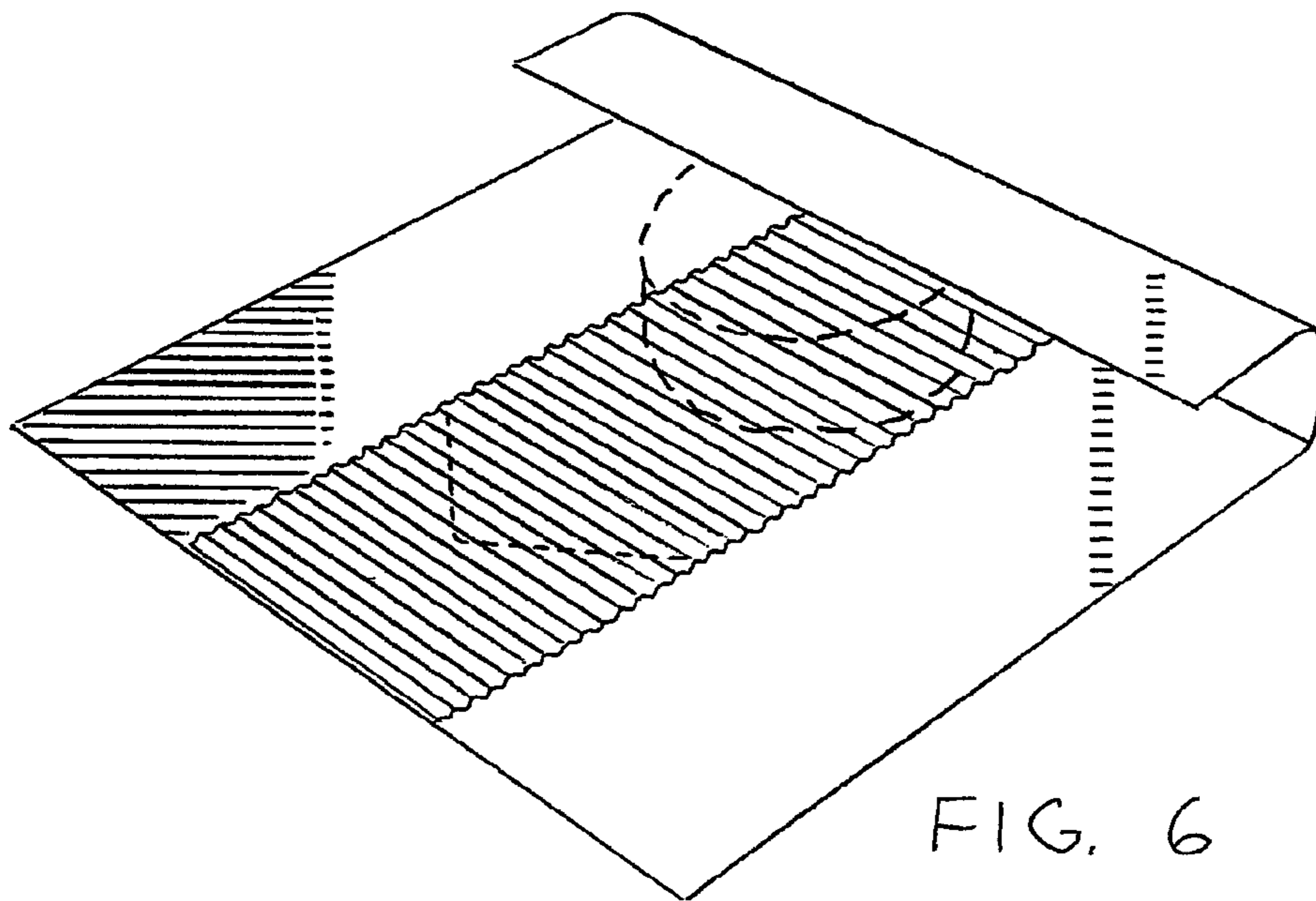


FIG. 6