



US00D738743S

(12) **United States Design Patent**
Galmarini

(10) **Patent No.:** **US D738,743 S**
(45) **Date of Patent:** **** Sep. 15, 2015**

- (54) **DECORATIVE GIFT BAG**
- (71) Applicant: **Tiffany Rose Galmarini**, Delray Beach, FL (US)
- (72) Inventor: **Tiffany Rose Galmarini**, Delray Beach, FL (US)
- (**) Term: **14 Years**
- (21) Appl. No.: **29/477,756**
- (22) Filed: **Dec. 26, 2013**
- (51) **LOC (10) Cl.** **09-05**
- (52) **U.S. Cl.**
USPC **D9/704**
- (58) **Field of Classification Search**
USPC D9/702-714, 719, 738-740, 517-518, D9/522, 416, 435, 444, 460, 455, 414, 499, D9/431-432; D7/560-562; 206/434, 206/426-427, 429-430, 485, 485.1, 499, 206/508, 431, 418-422, 588-594; 229/117.3, 185, 121, 122, 200, 207, 229/236, 87.01; 220/23.83
See application file for complete search history.

- D584,164 S * 1/2009 Jin D9/703
- D667,311 S * 9/2012 Rowlett D9/702
- D673,056 S * 12/2012 Gallas D9/703

OTHER PUBLICATIONS

Victoria's Secret, Lingerie Laundry Bag, <http://www.ebay.com/itm/victorias-secret-lingerie-laundry-bag-NEW-/141121657946>, Nov. 25, 2013, US.
 Robyn Russell, Design Context, Condomi Erotic Shopping, p. 2, http://r-russell0912-dc2.blogspot.com/2011_03_01_archive.html, Mar. 1, 2011, US.
 Robyn Russell, Design Context, p. 2, http://r-russell0912-dc2.blogspot.com/2011_03_01_archive.html, Mar. 1, 2011, US.
 Total Nutrition Corporation, GNC Burn 60: Burn Bag, http://adsoftheworld.com/media/dm/total_nutrition_corporation_gnc_burn_60_burn_bag, Nov. 25, 2013, US.

* cited by examiner

Primary Examiner — Thomas Johannes
Assistant Examiner — Abraham Bahta

(57) **CLAIM**

The ornamental design for a decorative gift bag, as shown and described.

DESCRIPTION

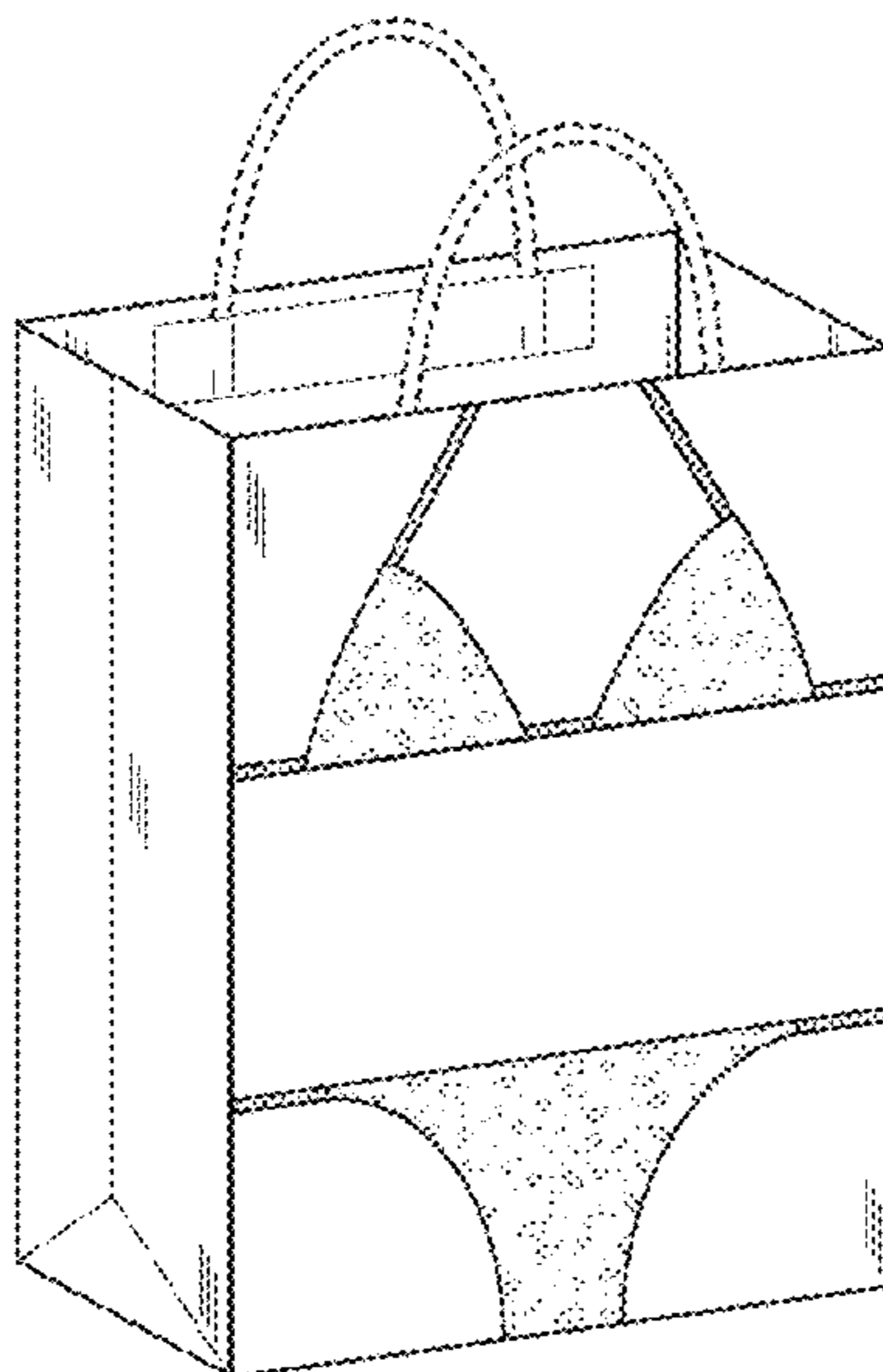
FIG. 1 is a top, right and front perspective view of the decorative gift bag showing my new design;
 FIG. 2 a top, left and rear perspective view thereof;
 FIG. 3 is a front elevation view thereof;
 FIG. 4 is rear elevation view thereof;
 FIG. 5 is a right side elevation view thereof; and,
 FIG. 6 is a left side elevation view thereof.
 The broken line showing of portions of the decorative gift bag is included for the purpose of illustrating unclaimed environmental structure and forms no part of the claimed design.

1 Claim, 2 Drawing Sheets

(56) **References Cited**

U.S. PATENT DOCUMENTS

- D343,288 S * 1/1994 Chao D3/290
- D485,166 S * 1/2004 Clark D9/704
- D494,058 S * 8/2004 Clark D9/703
- D494,853 S * 8/2004 Chan D9/704
- D497,541 S * 10/2004 Clark D9/703
- D522,379 S * 6/2006 Clark D9/703
- D548,107 S * 8/2007 Glass D9/704
- D576,500 S * 9/2008 Kim et al. D9/703
- D582,789 S * 12/2008 Blinderman et al. D9/631



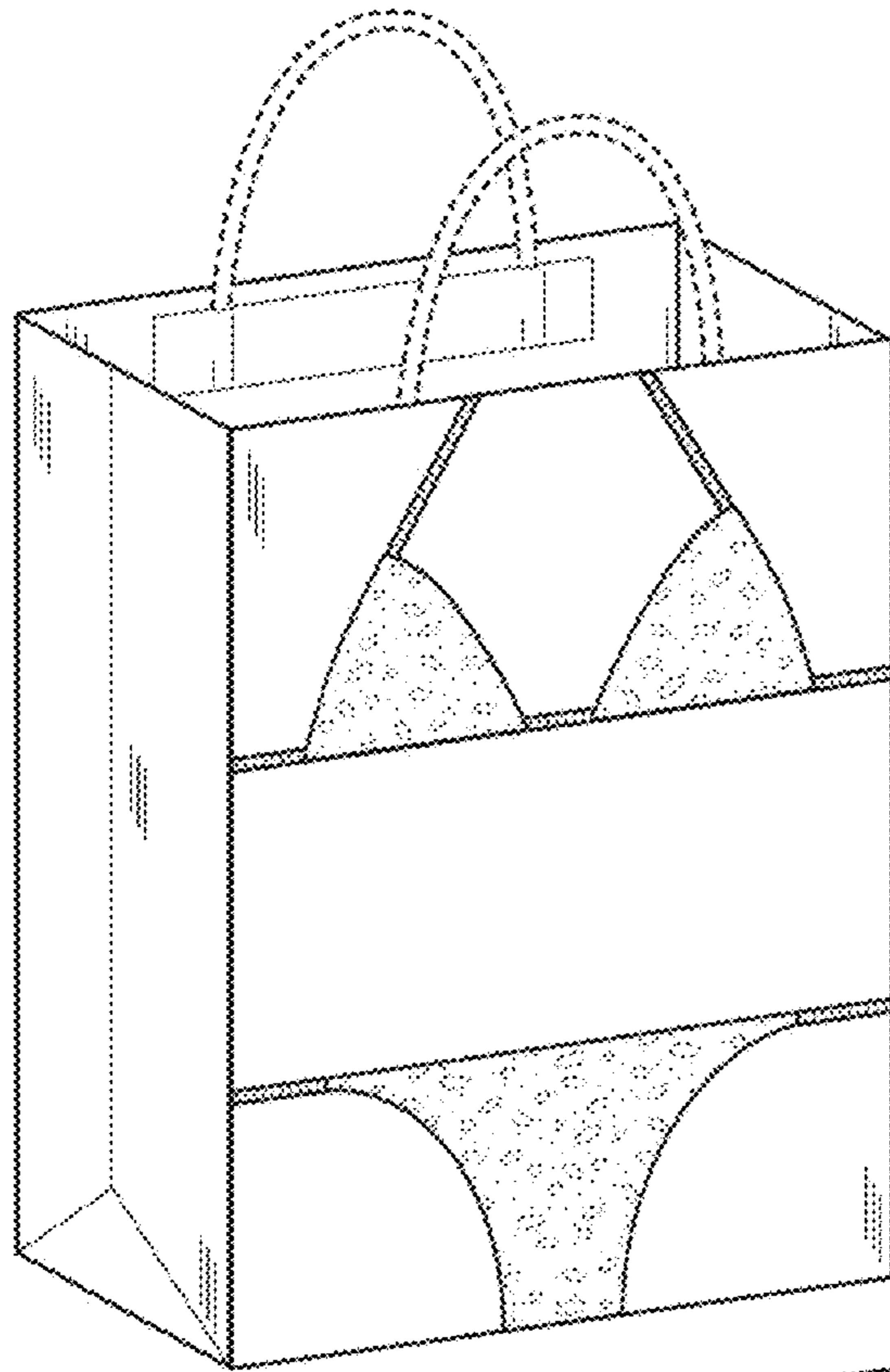


FIG. 1

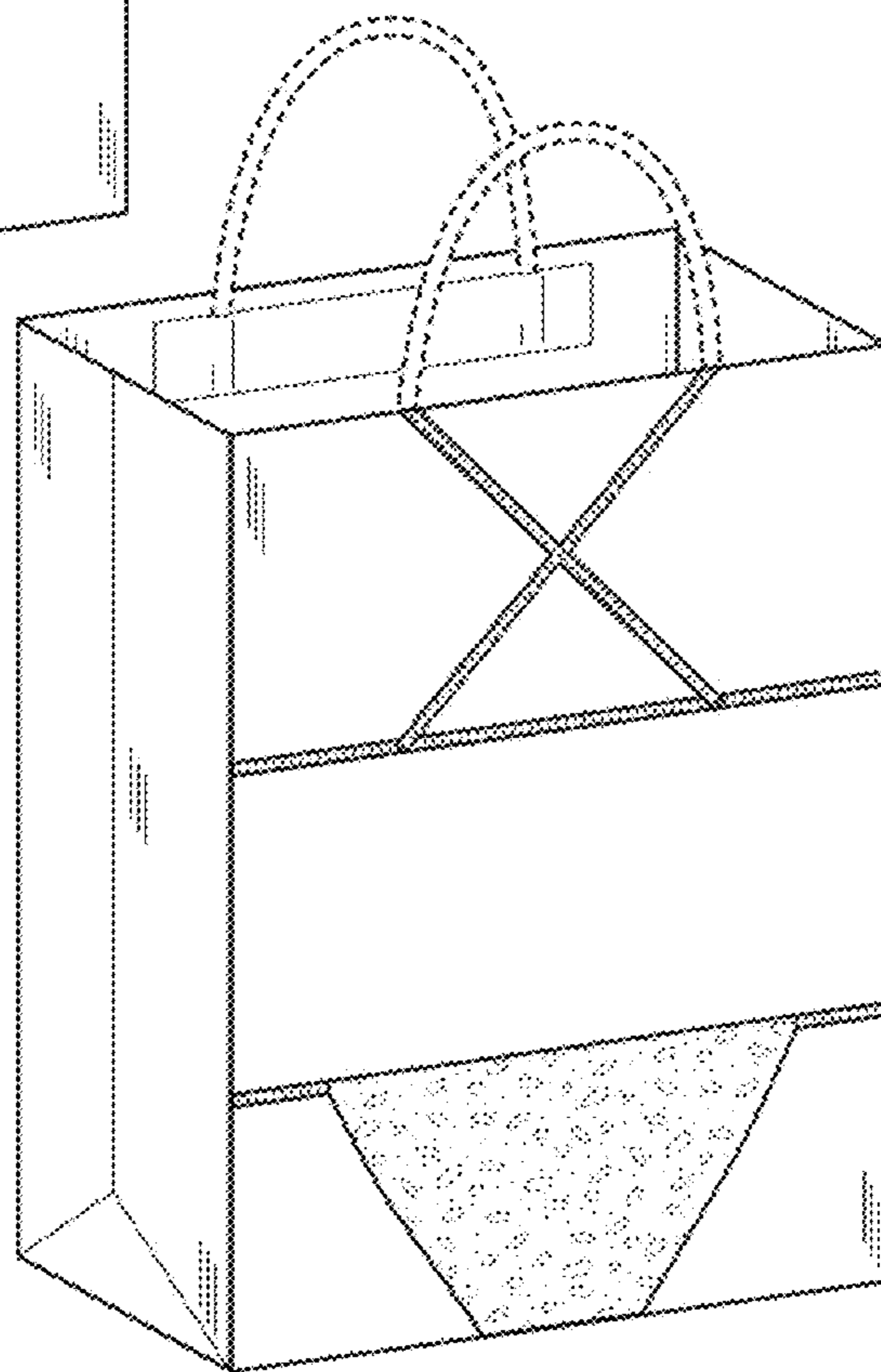


FIG. 2

