



US00D738741S

(12) **United States Design Patent**
Shafer

(10) **Patent No.:** **US D738,741 S**

(45) **Date of Patent:** **** Sep. 15, 2015**

(54) **AEROSOL CONTAINER**

(71) Applicant: **The Procter & Gamble Company,**
Cincinnati, OH (US)

(72) Inventor: **Adam Robert-George Shafer,**
Cincinnati, OH (US)

(73) Assignee: **The Procter & Gamble Company,**
Cincinnati, OH (US)

(**) Term: **14 Years**

(21) Appl. No.: **29/450,926**

(22) Filed: **Mar. 26, 2013**

(51) **LOC (10) Cl.** **09-01**

(52) **U.S. Cl.**
USPC **D9/690**

(58) **Field of Classification Search**
USPC D9/682-694, 719, 503, 504, 772-781,
D9/516, 517, 520, 526, 549, 434-436, 443,
D9/445, 447-450; 215/379, 382;
220/669-675, 915; 222/153.01,
222/153.04, 153.09, 153.1, 153.11, 153.12,
222/153.13, 153.14, 631, 635, 321.1,
222/321.6-322, 325-327, 372, 378, 379,
222/382, 383.1, 398, 400.7, 401, 402,
222/402.1-402.25, 173, 181.1-185

See application file for complete search history.

(56) **References Cited**

U.S. PATENT DOCUMENTS

2,573,624 A * 10/1951 Svendsen 239/337
3,066,838 A * 12/1962 Hansen 222/402.13
3,312,723 A * 4/1967 Anderson et al. 222/402.13
D216,952 S * 3/1970 Trupp et al. D9/448
3,558,019 A * 1/1971 Hug 222/402.22
3,854,632 A * 12/1974 Smrt 222/182
3,884,399 A * 5/1975 Matern 222/402.13
D279,166 S * 6/1985 Tada D9/692
D307,648 S * 5/1990 Arrington D29/126
5,143,263 A * 9/1992 Newell 222/538

D351,337 S * 10/1994 Bonnema et al. D9/690
D352,004 S * 11/1994 Bikoff et al. D9/503
D391,485 S * 3/1998 Biesecker et al. D9/500

(Continued)

FOREIGN PATENT DOCUMENTS

EM 001194955-0003 * 5/2005
EM 001965005-0012 * 7/2012

(Continued)

OTHER PUBLICATIONS

Products shown on webpage <http://web.archive.org/web/20081203193752/http://www.berryplastics.com/catalog/products/overcap> Original display date: Dec. 3, 2008.*

(Continued)

Primary Examiner — Catherine Tuttle

(74) *Attorney, Agent, or Firm* — Larry L. Huston; Steven W. Miller

(57) **CLAIM**

The ornamental design for an aerosol container, as shown and described.

DESCRIPTION

FIG. 1 is a perspective view of the aerosol container showing my new design;

FIG. 2 is a top view thereof;

FIG. 3 is a left side view thereof;

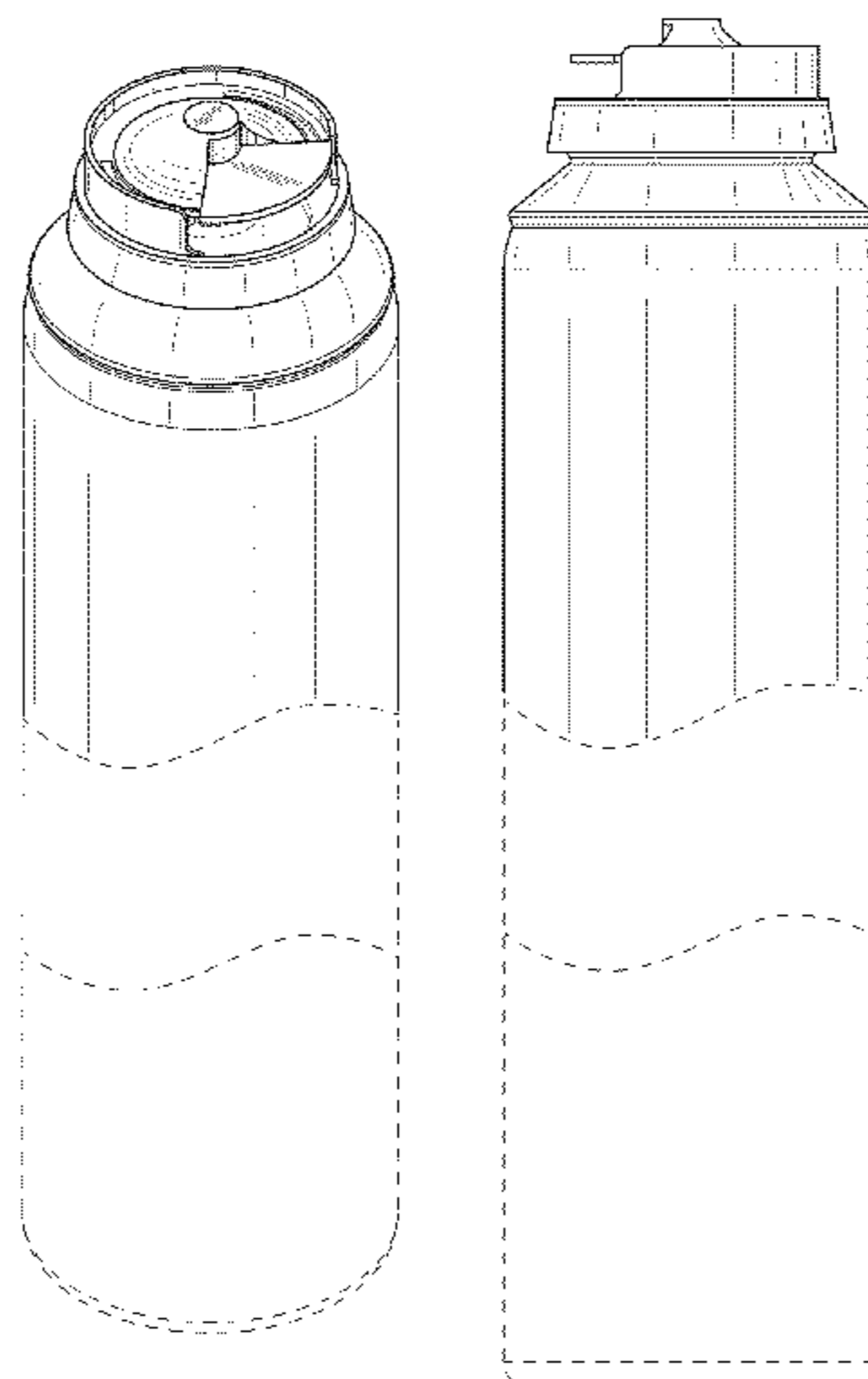
FIG. 4 is a front view thereof;

FIG. 5 is a right side view thereof; and,

FIG. 6 is a rear view thereof.

The bottom view forms no part of the claimed invention. The dashed lines are included for the purpose of illustrating the portions of the aerosol container that form no part of the claimed design. The appearance within the unshaded regions within and immediately adjacent to the dashed lines likewise form no part of the claimed design.

1 Claim, 3 Drawing Sheets



(56)

References Cited

U.S. PATENT DOCUMENTS

5,915,599 A * 6/1999 Takahashi 222/402.13
D548,082 S * 8/2007 Kingsley D9/500
D625,198 S * 10/2010 Hall D9/691
D668,151 S * 10/2012 Abbondanzio et al. D9/447
D669,365 S * 10/2012 Hanai et al. D9/690
8,544,696 B2 * 10/2013 Willemsen et al. 222/181.3
2013/0214004 A1 * 8/2013 Dejonge 222/153.11

FOREIGN PATENT DOCUMENTS

GB 1048616 * 9/1988
GB 2051002 * 2/1996
WO D042659-001 * 3/1998

OTHER PUBLICATIONS

Vertical actuator shown on webpage <http://web.archive.org/web/20090915222435/http://www.precisionglobal.com/en/products/catalog/show/47> Original display date: Sep. 15, 2009.*
Vulcan Total Release Vertical Actuator shown on webpage: <http://web.archive.org/web/20090915222115/http://www.precisionglobal.com/en/products/catalog/show/22> Original Display date: Sep. 15, 2009.*
U.S. Appl. No. 29/424,660, filed Jun. 14, 2012, Adam Robert-George Shafer.
<http://www.bettymills.com/shop/featured/ChaseProducts.html>;
downloaded May 10, 2013; 2 pages.
http://www.cclcontainer.com/products/aluminum_aerosol.html;
downloaded May 10, 2013; 1 page.

* cited by examiner

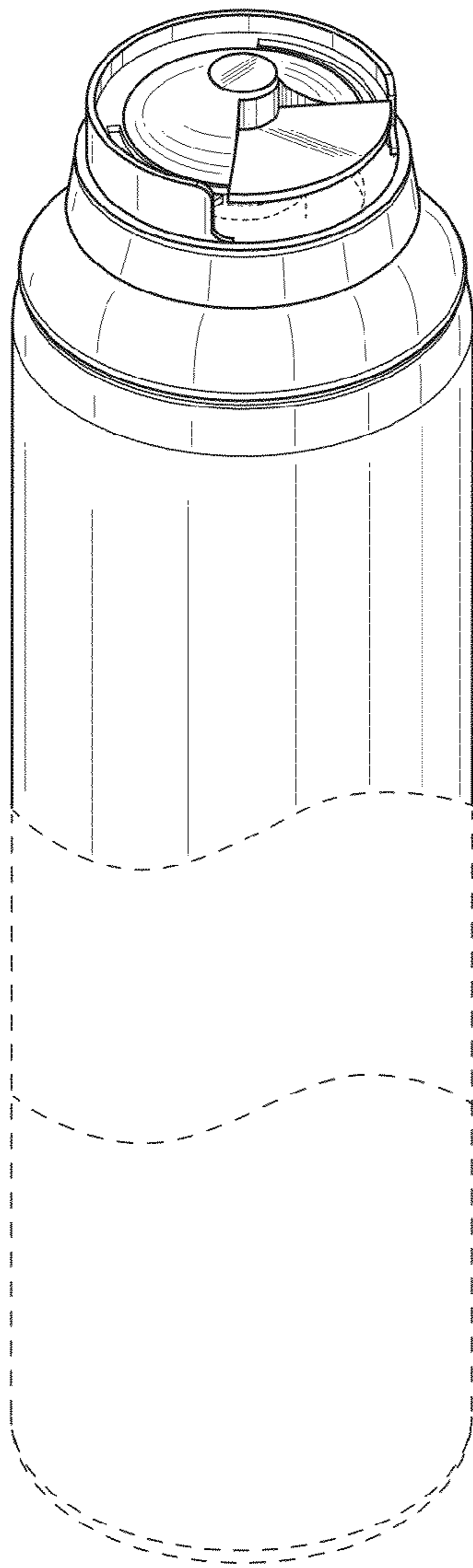


Fig. 1

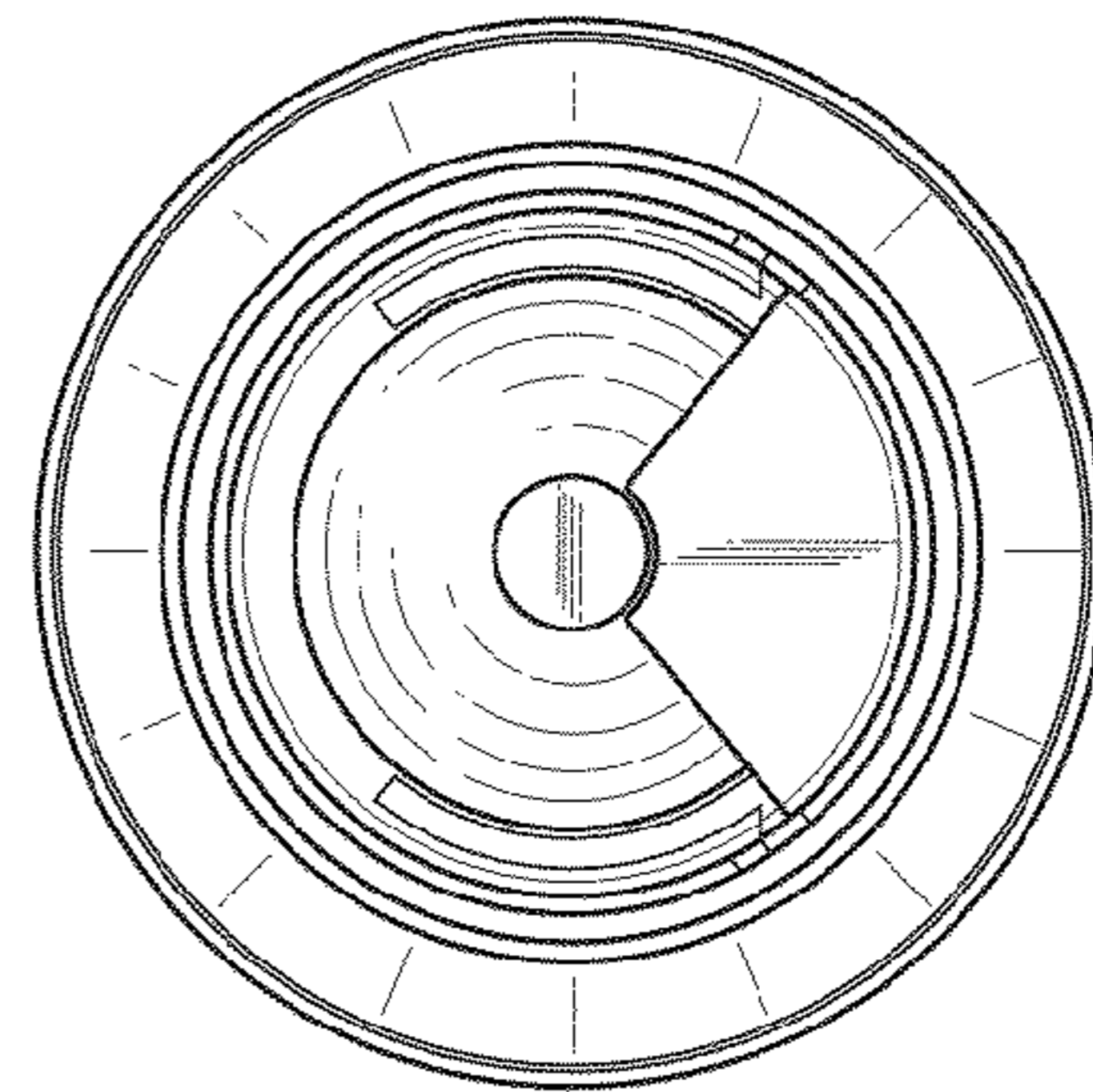


Fig. 2

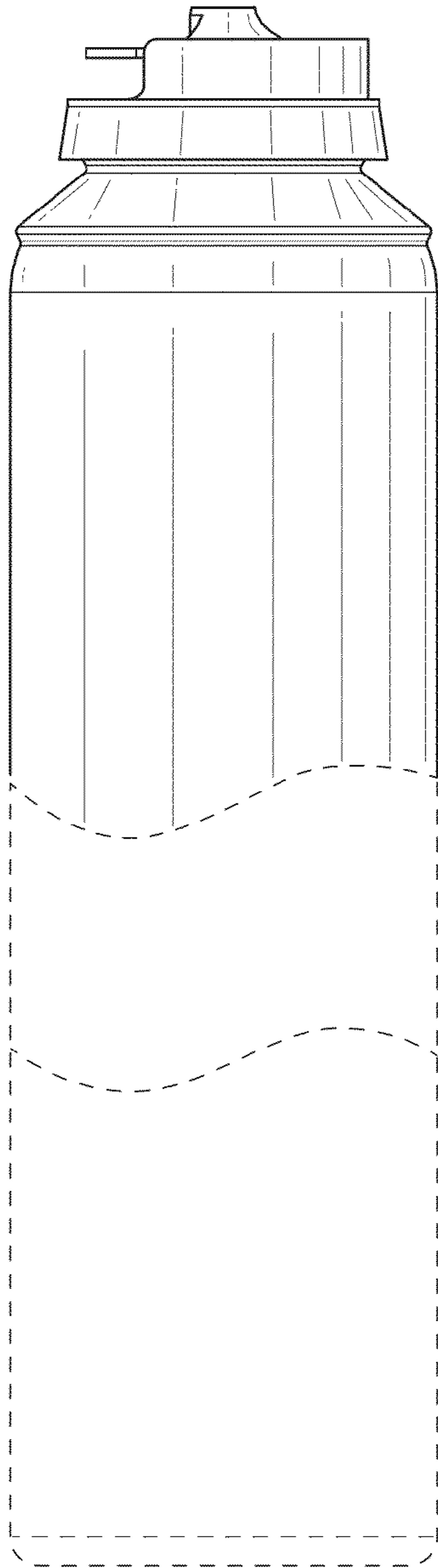


Fig. 3

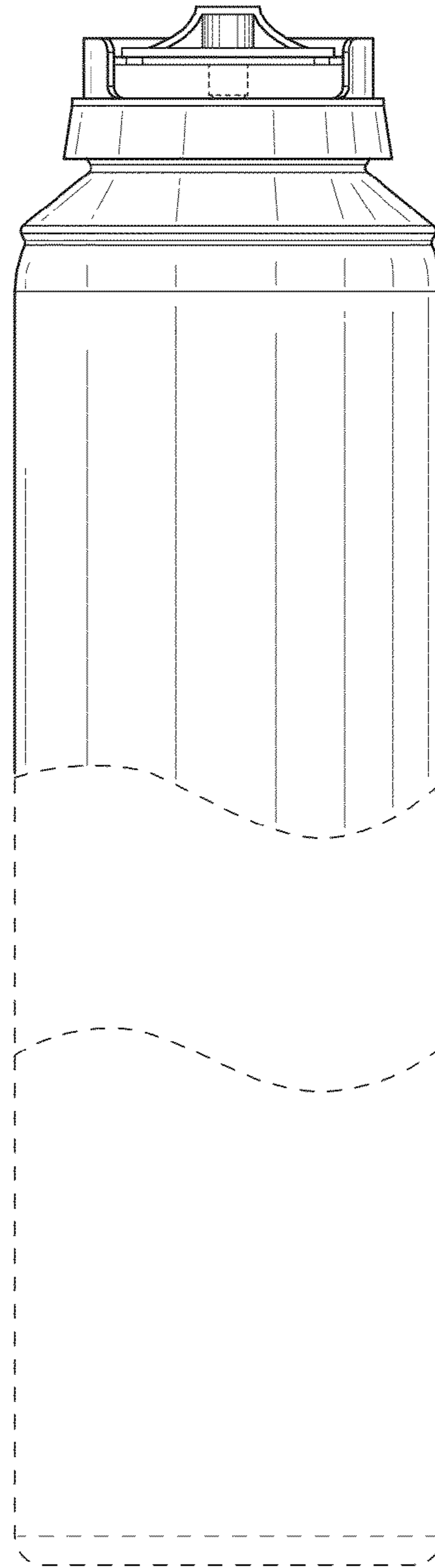


Fig. 4

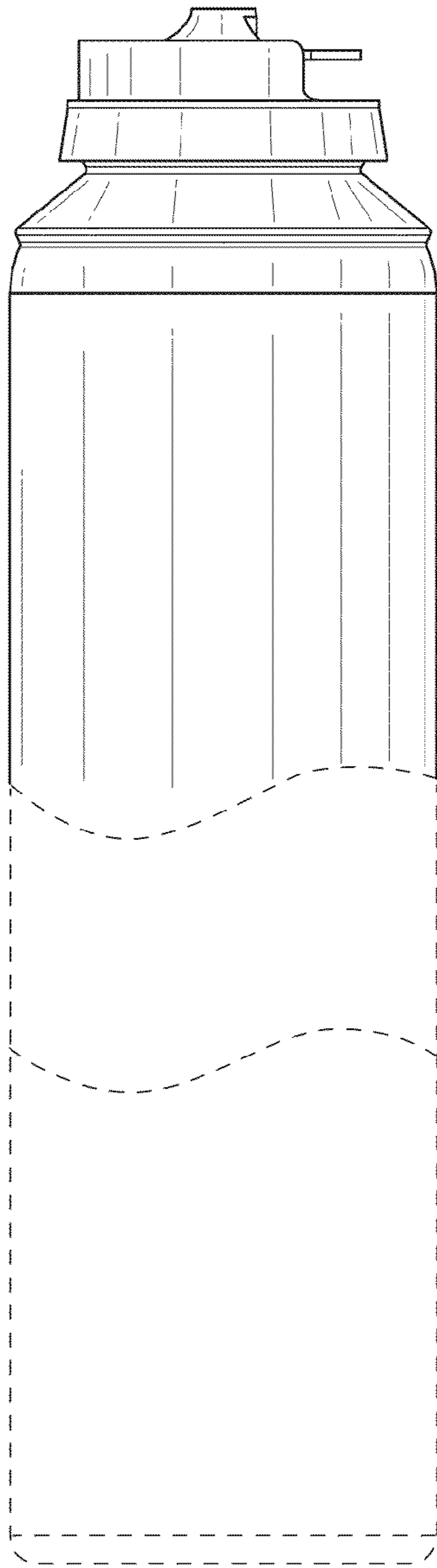


Fig. 5

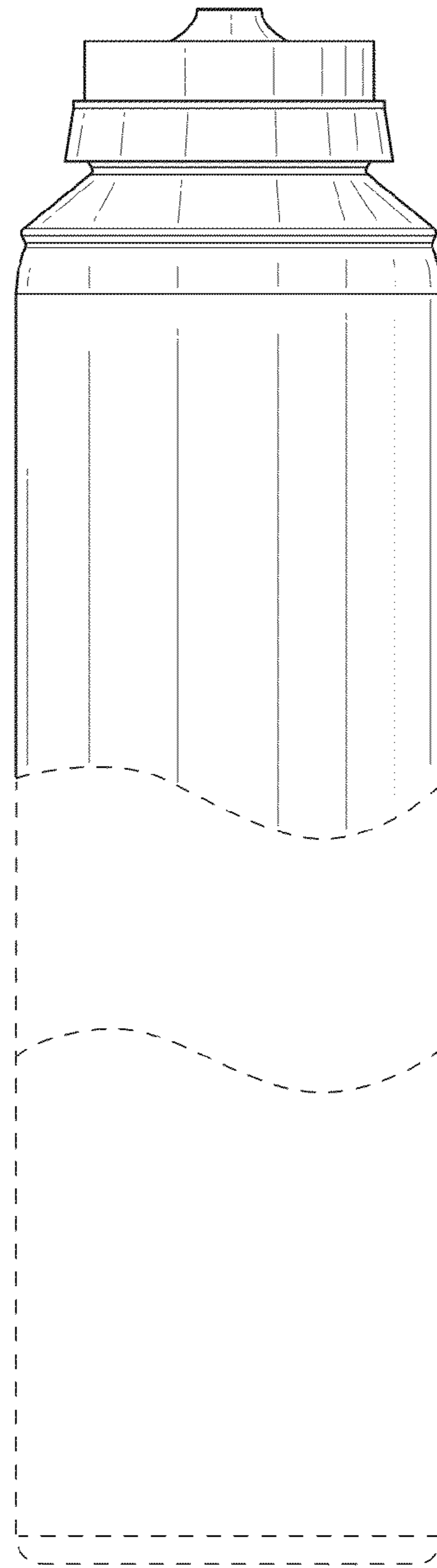


Fig. 6